

**ZERO-MAX**

**ServoClass® Couplings**



# ZERO-MAX SERVOCLASS® COUPLINGS

- For high performance servo motor and demanding motion control applications
- High torsional stiffness for use in precision positioning applications
- Eco-Friendly, adapted to RoHS Directive with no banned substances
- Low inertia for high speed reversing applications
- Zero backlash and low hysteresis ensures repeatable precise positioning
- Low bearing loads



- Available in 11 sizes in single and double disc models
- Double disc models provide highest misalignment capability
- Operating temperature range is -22° to +212°F (-30° to +100°C)
- Torque ratings range from 0.5 to 250Nm
- Hubs and center members manufactured of aluminum alloy for strength, durability, and both are treated to prevent oxidation and to preserve appearance
- Disc members are made of 304 stainless steel
- Couplings are precisely assembled using high strength, corrosion resistant fasteners
- Integral clamp style hubs provide fast, easy mounting
- RoHS compliant – manufactured of RoHS compliant materials and contains no banned substances



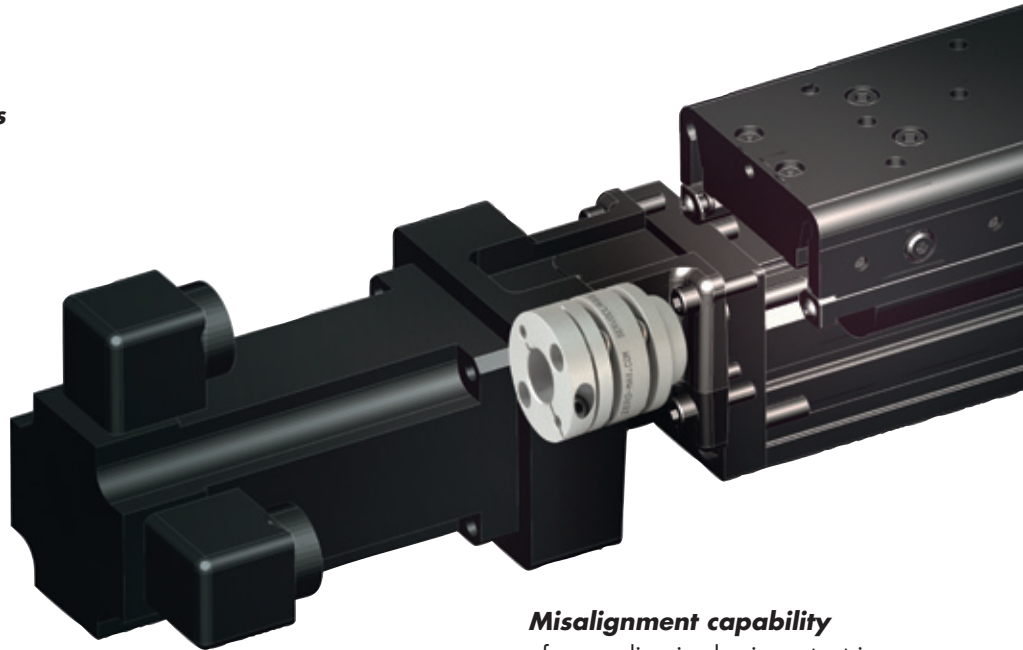
## SERVOCLASS® COUPLINGS FOR EVERY SERVO SYSTEM REQUIREMENT

### **Today's servo motor applications**

are more demanding than ever. The precision positioning requirements and high reverse load characteristics of AC and DC servomotor applications necessitate a coupling design that specifically addresses the needs of these sophisticated systems.

**Low Inertia** is a critical feature of a superior servo coupling. The inertia should be low so as not to add significantly to overall inertia of the servo system. The lower the inertia, the less energy required by the motor to move the system and therefore, higher acceleration is possible. Zero-Max ServoClass couplings are made from aluminum and therefore they have very low inertia.

**High torsional stiffness** is an important quality of any high performance coupling. Low torsional stiffness couplings will reduce system performance and accuracy. The high torsional stiffness characteristic of the Zero-Max ServoClass coupling increases the system resonant frequency, exceeding the resonant operating frequency of most equipment.



**Zero Backlash** is another key requirement of a high performance servo coupling. A coupling may be considered zero backlash and still have a large amount of torsional windup. Zero backlash and high torsional stiffness allow the coupling to maintain the same angular relationship between the input and output shaft without lost motion. The Zero-Max ServoClass coupling is a zero backlash coupling and it exhibits a very low amount of windup.

### **Misalignment capability**

of a coupling is also important in a motion control system. Usually, the alignment of a well manufactured servo system will be very good. Over time and under high load conditions, this alignment may deteriorate. Another important benefit of a high misalignment capability is the low reaction loads on the bearings in the system. The Zero-Max ServoClass coupling utilizes a design that provides flexibility but does not sacrifice any of the torque capability or the torsional stiffness capability and therefore minimizes the reaction loads to the servo motor bearings.



# SERVOCLASS® SC SERIES

- For high performance servo motor and demanding motion control applications
- High torsional stiffness for use in precision positioning applications
- Eco-Friendly, adapted to RoHS Directive with no banned substances
- Low inertia for high speed applications
- Zero backlash and low hysteresis ensures repeatable precise positioning



SC Series ServoClass Double Disc Specifications										
Model	Operating Torque	Maximum RPM	Torsional Stiffness	Axial Stiffness	Misalignment Capacity			Moment of Inertia	Weight	Style
					Parallel	Angular	Axial			
	in.lb. (Nm)	rpm	in.lb./deg. (Nm/rad)	lb./in. (N/mm)	inch (mm)	degree	± inch ± (mm)	lb.in. <sup>2</sup> kgm <sup>2</sup> (x10 <sup>-6</sup> )	oz. (gm)	
SC005R	5.3 (0.6)	10,000	39 (250)	400 (70)	0.002 (0.05)	0.5	0.004 (0.10)	0.0012 (0.37)	0.35 (10)	C
SC010R	8.9 (1.0)	10,000	108 (700)	400 (70)	0.004 (0.11)	1	0.008 (0.20)	0.0027 (0.80)	0.53 (15)	C
SC020R	18 (2.0)	10,000	286 (1,850)	183 (32)	0.006 (0.15)	1	0.013 (0.33)	0.012 (3.40)	1.3 (35)	C
SC025R	35 (4.0)	10,000	432 (2,800)	171 (30)	0.006 (0.16)	1	0.015 (0.38)	0.018 (5.26)	1.4 (40)	C
SC030R	44 (5.0)	10,000	618 (4,000)	183 (32)	0.007 (0.18)	1	0.016 (0.4)	0.025 (7.33)	1.9 (54)	A
								0.032 (9.39)	2.2 (60)	B
								0.039 (11.5)	2.4 (68)	C
SC035R	71 (8.0)	10,000	1,390 (9,000)	320 (56)	0.009 (0.24)	1	0.020 (0.5)	0.092 (26.8)	4.3 (122)	C
SC040R	89 (10)	10,000	1,545 (10,000)	228 (40)	0.009 (0.24)	1	0.024 (0.6)	0.101 (29.5)	4.3 (122)	A
								0.123 (36.1)	4.8 (136)	B
								0.146 (42.6)	5.3 (151)	C
SC050R	221 (25)	10,000	2,472 (16,000)	137 (24)	0.011 (0.28)	1	0.031 (0.8)	0.331 (96.9)	8.7 (246)	A
								0.407 (118.9)	9.7 (275)	B
								0.483 (141.7)	10.7 (304)	C
SC060R	531 (60)	10,000	5,407 (35,000)	218 (38)	0.013 (0.34)	1	0.035 (0.9)	0.862 (252)	15.5 (440)	A
								1.08 (315.7)	17.6 (498)	B
								1.29 (377)	19.5 (556)	C
SC080R	885 (100)	10,000	10,813 (70,000)	366 (64)	0.02 (0.52)	1	0.04 (1.10)	3.54 (1,034)	37.0 (1,051)	C
SC090R	1,593 (180)	10,000	7,724 (50,000)	308 (54)	0.02 (0.52)	1	0.05 (1.30)	6.08 (1,776)	48.4 (1,373)	C
SC100R	2,213 (250)	10,000	9,268 (60,000)	317 (55)	0.02 (0.52)	1	0.06 (1.48)	9.26 (2,704)	60.2 (1,707)	C

- Moment of Inertia and Weight are measured with the maximum bore diameters
- Recommended tolerance of mounted shaft is h7



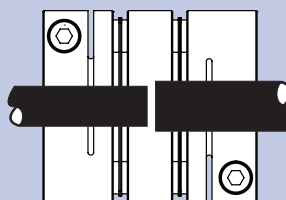
Style A



Style B

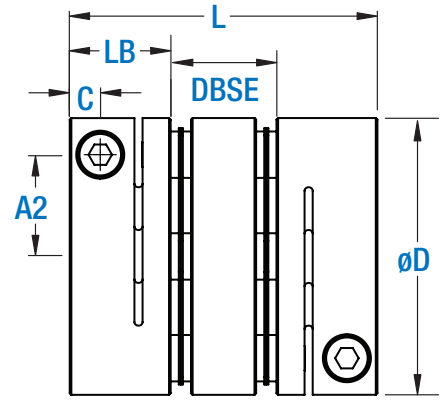
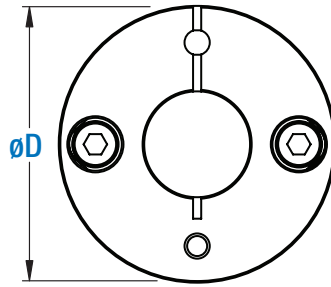
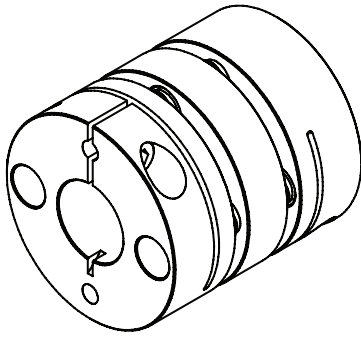


Style C



If the shafts of the equipment are smaller than the ID of the flex element they may be extended into the interior of the coupling. The ends of the shafts must never touch each other.

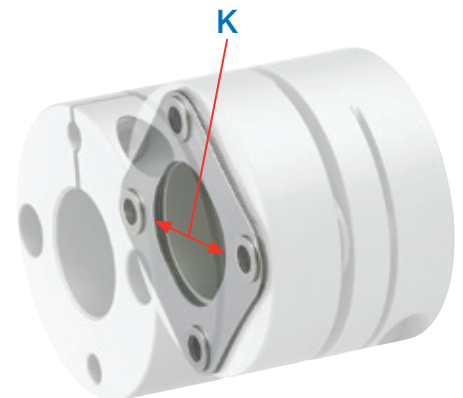
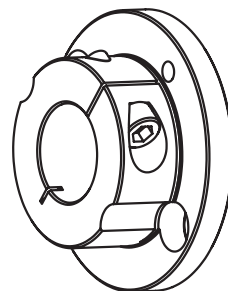
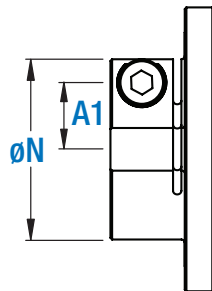
# SERVOCLASS® SC SERIES



SC Series ServoClass Double Disc Dimensions													
Model	Bores		Outside Diameter	Overall Length	Hub Length	Reduced Hub Diameter	Distance Between Shaft Ends	Inside dia. of the flex disc	Clamp Screw to Bore (on reduced hubs)	Clamp Screw	Clamp Screw to End of Hub	Clamp Screw Size	Tightening Torque
	Min	Max											
	Inch (mm)	Inch (mm)	Inch (mm)	Inch (mm)	Inch (mm)	Inch (mm)	Inch (mm)	Inch (mm)	Inch (mm)	Inch (mm)	Inch (mm)	Size	in. lb. (Nm)
SC005R	0.118 (3)	0.236 (6)	0.63 (16)	0.913 (23.2)	0.309 (7.85)	-	0.295 (7.5)	0.256 (6.5)	-	0.189 (4.8)	0.098 (2.5)	M2.0	3.5 (0.4)
SC010R	0.118 (3)	0.315* (8)*	0.748 (19)	1.02 (25.9)	0.36 (9.15)	-	0.299 (7.6)	0.335 (8.5)	-	0.228 (5.8)	0.124 (3.15)	M2.5*	9* (1)*
SC020R	0.157 (4)	0.433 (11)	1.024 (26.0)	1.272 (32.3)	0.423 (10.75)	-	0.425 (10.8)	0.417 (10.6)	-	0.374 (9.5)	0.130 (3.3)	M2.5	9 (1)
SC025R	0.197 (5)	0.551 (14)	1.142 (29.0)	1.291 (32.8)	0.423 (10.75)	-	0.445 (11.3)	0.571 (14.5)	-	0.433 (11.0)	0.130 (3.3)	M2.5	9 (1)
SC030R	0.197** (5)**	0.630 (16)	1.339 (34.0)	1.488 (37.8)	0.488 (12.4)	0.850 (21.6)	0.511 (13.0)	0.571 (14.5)	0.315 (8)	0.492 (12.5)	0.148 (3.75)	M3	13 (1.5)
SC035R	0.236 (6)	0.709 (18)	1.535 (39.0)	1.890 (48)	0.610 (15.5)	-	0.669 (17.0)	0.669 (17)	-	0.551 (14)	0.177 (4.5)	M4	30 (3.4)
SC040R	0.315** (8)**	0.866 (22)	1.732 (44.0)	1.890 (48)	0.610 (15.5)	1.165 (29.6)	0.669 (17.0)	0.768 (19.5)	0.433 (11)	0.669 (17)	0.177 (4.5)	M4	30 (3.4)
SC050R	0.315** (8)**	1.181 (30)	2.205 (56.0)	2.354 (59.8)	0.807 (20.5)	1.496 (38)	0.740 (18.8)	1.024 (26)	0.571 (14.5)	0.866 (22)	0.236 (6)	M5	62 (7)
SC060R	0.433** (11)**	1.378 (35)	2.677 (68.0)	2.886 (73.3)	0.992 (25.2)	1.811 (46)	0.902 (22.9)	1.220 (31)	0.689 (17.5)	1.043 (26.5)	0.305 (7.75)	M6	124 (14)
SC080R	0.709 (18)	1.57 (40)	3.228 (82.0)	3.858 (98)	1.181 (30)	-	1.496 (38.0)	1.496 (38)	-	1.102 (28)	0.354 (9)	M8	266 (30)
SC090R	0.984 (25)	1.77 (45)	3.622 (94.0)	3.882 (98.6)	1.181 (30)	-	1.520 (38.6)	1.654 (42)	-	1.339 (34)	0.354 (9)	M8	266 (30)
SC100R	1.260 (32)	1.77 (45)	4.095 (104.0)	4.000 (101.6)	1.181 (30)	-	1.638 (41.6)	1.890 (48)	-	1.535 (39)	0.354 (9)	M8	266 (30)

\*SC010 with a bore of 8mm or 0.3125" will have a M2 clamp screw and a tightening torque of 3.5 in lbs. or 0.4Nm

** Reduced Hub Dimensions		
Model	Min	Max
	Inch (mm)	Inch (mm)
SC030R	0.1875 (5)	0.375 (10)
SC040R	0.315 (8)	0.5625 (15)
SC050R	0.315 (8)	0.750 (19)
SC060R	0.433 (11)	0.9375 (24)



# SERVOCLASS® SD SERIES

- For high performance servo motor and demanding motion control applications
- High torsional stiffness for use in precision positioning applications
- Eco-Friendly, adapted to RoHS Directive with no banned substances
- Low inertia for high speed applications
- Zero backlash and low hysteresis ensures repeatable precise positioning



## SD Series ServoClass Single Disc Specifications

Model	Operating Torque	Maximum RPM	Torsional Stiffness	Axial Stiffness	Misalignment Capacity			Moment of Inertia	Weight	Style
	in.lb. (Nm)	rpm	in.lb./deg. (Nm/rad)	lb./in. (N/mm)	Parallel inch (mm)	Angular degree	Axial ± inch ± (mm)	lb.in. <sup>2</sup> kgm <sup>2</sup> (x10 <sup>-6</sup> )	oz. (gm)	
SD005R	5.3 (0.6)	10,000	77 (500)	799 (140)	0.001 (0.02)	0.5	0.002 (0.05)	0.0009 (0.26)	0.25 (7)	C
SD010R	8.9 (1.0)	10,000	216 (1,400)	799 (140)	0.001 (0.02)	1	0.004 (0.10)	0.0019 (0.58)	0.39 (11)	C
SD020R	18 (2.0)	10,000	572 (3,700)	366 (64)	0.001 (0.02)	1	0.006 (0.15)	0.008 (2.36)	0.9 (25)	C
SD025R	35 (4.0)	10,000	865 (5,600)	343 (60)	0.001 (0.02)	1	0.007 (0.19)	0.013 (3.67)	1.0 (29)	C
SD030R	44 (5.0)	10,000	1,236 (8,000)	366 (64)	0.001 (0.02)	1	0.008 (0.2)	0.014 (4.00)	1.2 (34)	A
								0.021 (6.06)	1.4 (41)	B
								0.028 (8.12)	1.7 (49)	C
SD035R	71 (8.0)	10,000	2,781 (18,000)	640 (112)	0.001 (0.02)	1	0.010 (0.25)	0.063 (18.4)	3.0 (84)	C
SD040R	89 (10)	10,000	3,089 (20,000)	457 (80)	0.001 (0.02)	1	0.012 (0.3)	0.056 (16.4)	2.7 (77)	A
								0.078 (23.0)	3.2 (90)	B
								0.101 (29.5)	3.7 (105)	C
SD050R	221 (25)	10,000	4,943 (32,000)	274 (48)	0.001 (0.02)	1	0.016 (0.4)	0.188 (54.9)	5.5 (156)	A
								0.263 (77.1)	6.5 (185)	B
								0.339 (99.3)	7.5 (214)	C
SD060R	531 (60)	10,000	10,813 (70,000)	436 (76.4)	0.001 (0.02)	1	0.018 (0.45)	0.491 (144)	9.8 (279)	A
								0.704 (205)	11.9 (337)	B
								0.918 (268.6)	14 (396)	C
SD080R	885 (100)	10,000	21,626 (140,000)	731 (128)	0.001 (0.02)	1	0.02 (0.55)	2.43 (709.3)	25.6 (727)	C
SD090R	1,593 (180)	10,000	15,447 (100,000)	616 (108)	0.001 (0.02)	1	0.03 (0.65)	4.20 (1,227)	33.8 (959)	C
SD100R	2,213 (250)	10,000	18,535 (120,000)	664 (111)	0.001 (0.02)	1	0.03 (0.74)	6.36 (1,858)	41.6 (1,181)	C

- Moment of Inertia and Weight are measured with the maximum bore diameters
- Recommended tolerance of mounted shaft is h7



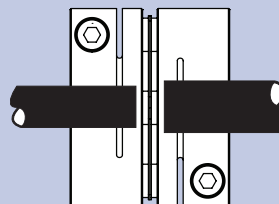
Style A



Style B

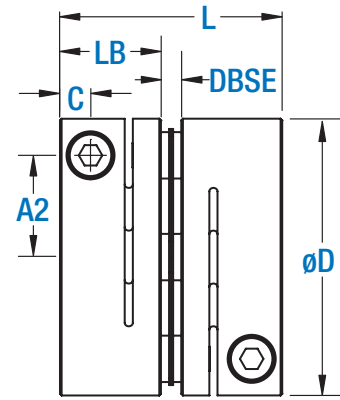
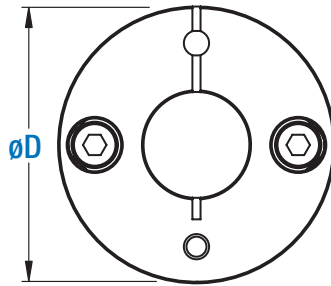
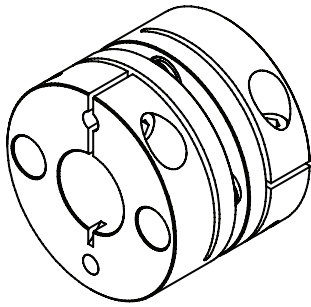


Style C



If the shafts of the equipment are smaller than the ID of the flex element they may be extended into the interior of the coupling. The ends of the shafts must never touch each other.

# SERVOCLASS® SD SERIES



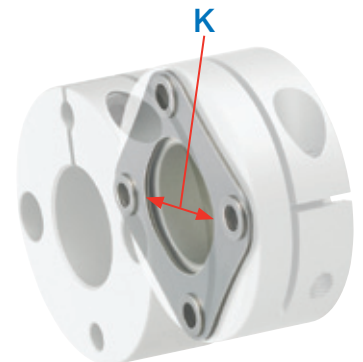
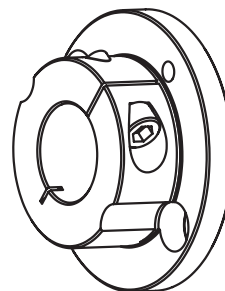
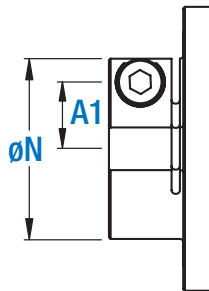
## SD Series ServoClass Single Disc Dimensions

Model	Bores		Outside Diameter D	Overall Length L	Hub Length LB	Reduced Hub Diameter N	Distance Between Shaft Ends DBSE	Inside dia. of the flex disc K	Clamp Bolt to Bore (on reduced hubs) A1	Clamp Bolt to Bore A2	Clamp Bolt to End of Hub C	Clamp Screw Size M	Tightening Torque in. lb. (Nm)
	Min	Max											
	Inch (mm)	Inch (mm)	Inch (mm)	Inch (mm)	Inch (mm)	Inch (mm)	Inch (mm)	Inch (mm)	Inch (mm)	Inch (mm)	Inch (mm)	Size	
SD005R	0.118 (3)	0.236 (6)	0.63 (16)	0.657 (16.7)	0.309 (7.85)	-	0.039 (1.0)	0.256 (6.5)	-	0.189 (4.8)	0.098 (2.5)	M2.0	3.5 (0.4)
SD010R	0.118 (3)	0.315 (8)	0.748 (19)	0.762 (19.35)	0.36 (9.15)	-	0.041 (1.05)	0.335 (8.5)	-	0.228 (5.8)	0.124 (3.15)	M2.5*	9* (1)*
SD020R	0.157 (4)	0.433 (11)	1.024 (26.0)	0.911 (23.15)	0.423 (10.75)	-	0.065 (1.65)	0.417 (10.6)	-	0.374 (9.5)	0.130 (3.3)	M2.5	9 (1)
SD025R	0.197 (5)	0.551 (14)	1.142 (29.0)	0.921 (23.4)	0.423 (10.75)	-	0.075 (1.9)	0.571 (14.5)	-	0.433 (11.0)	0.130 (3.3)	M2.5	9 (1)
SD030R	0.197** (5)**	0.630 (16)	1.339 (34.0)	1.075 (27.3)	0.488 (12.4)	0.850 (21.6)	0.098 (2.5)	0.571 (14.5)	0.315 (8)	0.492 (12.5)	0.148 (3.75)	M3	13 (1.5)
SD035R	0.236 (6)	0.709 (18)	1.535 (39.0)	1.339 (34)	0.610 (15.5)	-	0.118 (3.0)	0.669 (17)	-	0.551 (14)	0.177 (4.5)	M4	30 (3.4)
SD040R	0.315** (8)**	0.866 (22)	1.732 (44.0)	1.339 (34)	0.610 (15.5)	1.165 (29.6)	0.118 (3.0)	0.768 (19.5)	0.433 (11)	0.669 (17)	0.177 (4.5)	M4	30 (3.4)
SD050R	0.315** (8)**	1.181 (30)	2.205 (56.0)	1.709 (43.4)	0.807 (20.5)	1.496 (38)	0.094 (2.4)	1.024 (26)	0.571 (14.5)	0.866 (22)	0.236 (6)	M5	62 (7)
SD060R	0.433** (11)**	1.378 (35)	2.677 (68.0)	2.110 (53.6)	0.992 (25.2)	1.811 (46)	0.126 (3.2)	1.220 (31)	0.689 (17.5)	1.043 (26.5)	0.305 (7.75)	M6	124 (14)
SD080R	0.709 (18)	1.57 (40)	3.228 (82.0)	2.677 (68)	1.181 (30)	-	0.315 (8)	1.496 (38)	-	1.102 (28)	0.354 (9)	M8	266 (30)
SD090R	0.984 (25)	1.77 (45)	3.622 (94.0)	2.689 (68.3)	1.181 (30)	-	0.327 (8.3)	1.654 (42)	-	1.339 (34)	0.354 (9)	M8	266 (30)
SD100R	1.260 (32)	1.77 (45)	4.095 (104.0)	2.748 (69.8)	1.181 (30)	-	0.386 (9.8)	1.890 (48)	-	1.535 (39)	0.354 (9)	M8	266 (30)

\*SD010 with a bore of 8mm or 0.3125" will have a M2 clamp screw and a tightening torque of 3.5 in lbs. or 0.4Nm

### \*\* Reduced Hub Dimensions

Model	Min	Max
	Inch (mm)	Inch (mm)
SD030R	0.1875 (5)	0.375 (10)
SD040R	0.3125 (8)	0.5625 (15)
SD050R	0.315 (8)	0.750 (19)
SD060R	0.433 (11)	0.9375 (24)



**The right coupling can add performance and longevity to your system!**

### High Torsional Stiffness

- Increased system accuracy
- Enables high-speed operation
- Improved system stability

### High Quality

- High grade materials used throughout the coupling
- Machined and assembled by highly skilled technicians with certified tooling

### Low radial stiffness

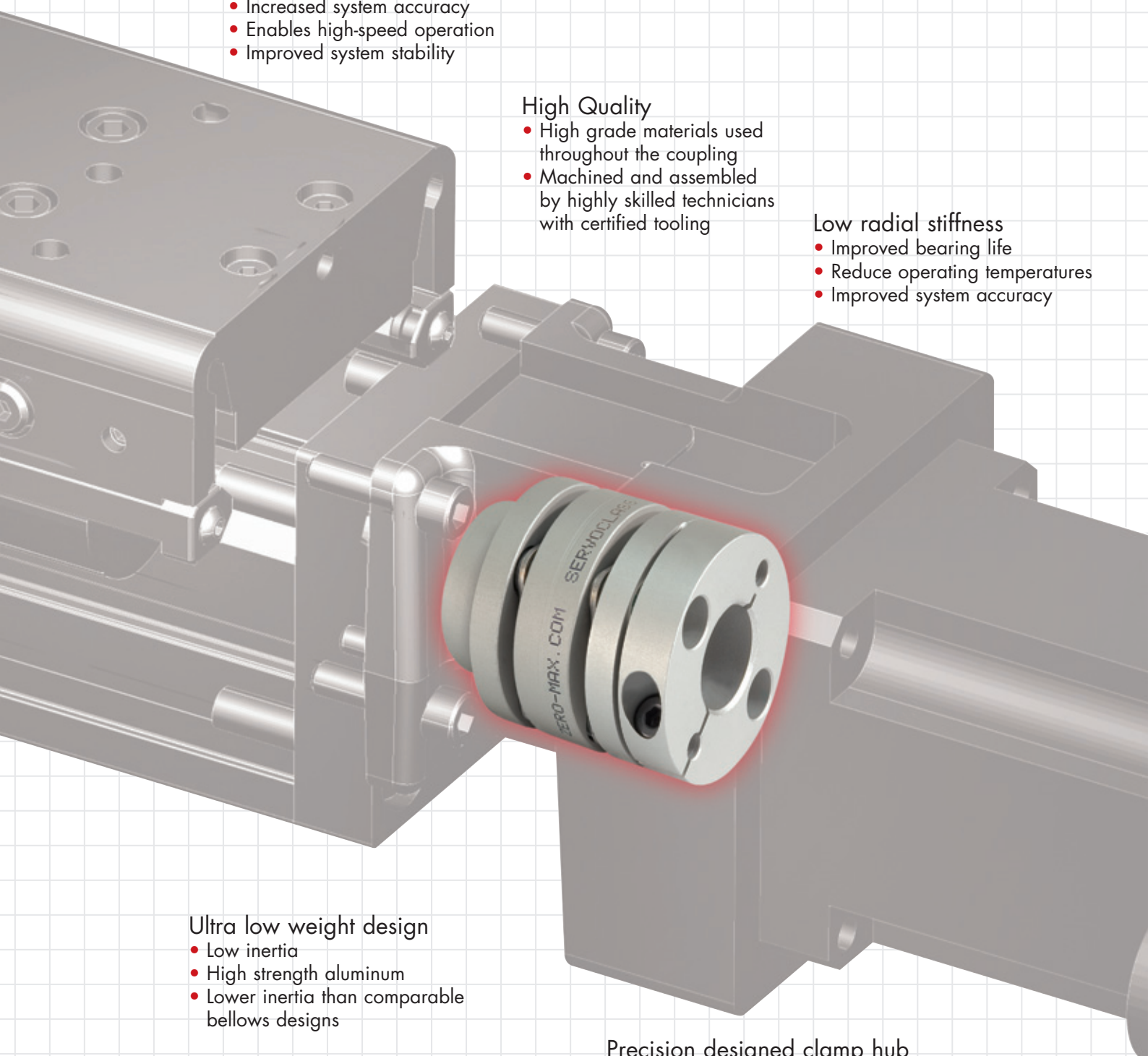
- Improved bearing life
- Reduce operating temperatures
- Improved system accuracy

### Ultra low weight design

- Low inertia
- High strength aluminum
- Lower inertia than comparable bellows designs

### Precision designed clamp hub

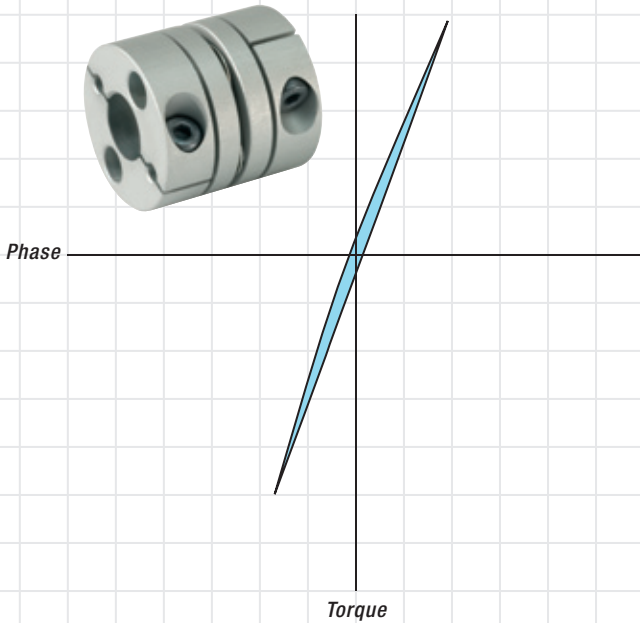
- Positive shaft hub connection
- Zero Backlash
- Trouble free assembly



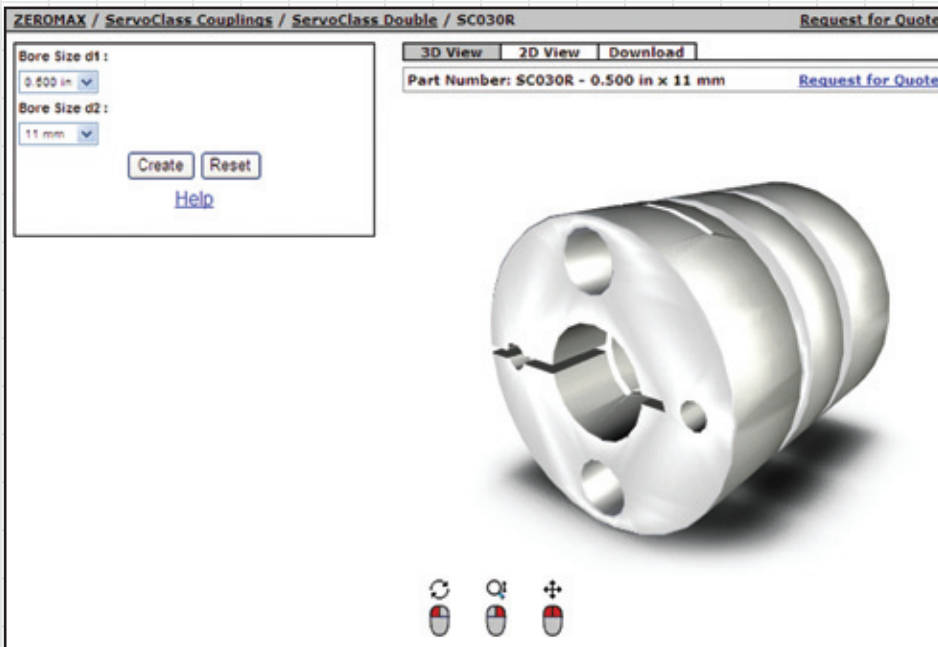
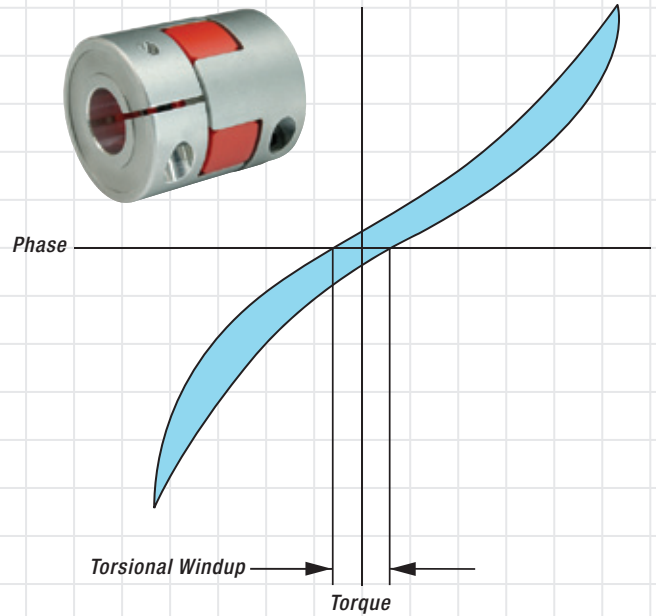


## Typical Hysteresis Curves

Zero-Max ServoClass Coupling



Typical "Zero Backlash" Jaw Type Coupling



New Zero-Max Configurable  
3D CAD Downloads.  
[www.zero-max.com](http://www.zero-max.com)

# SELECTING A SERVOCLASS® COUPLING

## Feed Screw Systems

### 1. Oscillation phenomena of servomotors

If the resonant frequency of the entire feed-screw system is under 400~500Hz, oscillation may occur depending on the gain adjustment of the servomotor. The problems can be avoided by raising the resonant frequency of the mechanical system or adjusting the tuning function (filter function) of the servomotor.

Contact us for unclear points concerning oscillation phenomena of servomotors.

### 2. Resonance caused by stepping motors

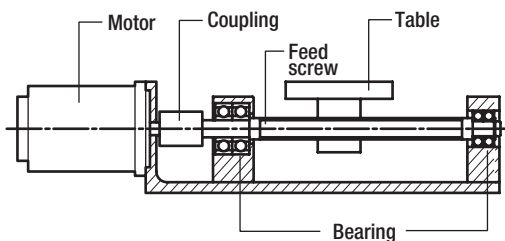
Resonance can occur within a certain speed range due to the pulsation frequency of the stepping motor and the natural frequency of the entire system. Resonance can be avoided by not operating near resonant speed, or by reviewing the resonant frequency in the design phase.

Contact us for unclear points concerning resonance of stepping motors.

## How to evaluate the resonant frequency of feed-screw system

1. Select the coupling according to the normal operating torque and maximum torque of the servomotor/stepping motor.

2. In the following feed-screw system, evaluate the entire resonant frequency:  $N_f$  from the torsional spring constant:  $K$  of the coupling and feed screw, the moment of inertia:  $J_1$  of the driving side and the moment of inertia:  $J_2$  of the driven side.



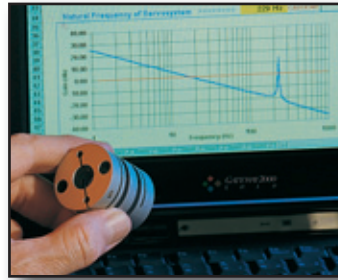
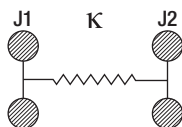
$$N_f = \frac{1}{2\pi} \sqrt{K \left( \frac{1}{J_1} + \frac{1}{J_2} \right)}$$

$N_f$ : Eigenfrequency of the entire feed-screw system [Hz]

$K$ : Torsional spring constant of the coupling and feed screw [ $N \cdot m/rad$ ]

$J_1$ : Moment of inertia of the driving side

$J_2$ : Moment of inertia of the driven side



## Selection Procedure

1. Calculate torque  $T_a$  applied to the coupling based on the motor output  $P$  and coupling operating rotation speed  $n$ .

$$T_a [N \cdot m] = 9550 \times \frac{P [kW]}{n [RPM]}$$

2. Calculate corrected torque  $T_d$  applied to the coupling after deciding the service factor  $K$  based on load conditions.

$$T_d = T_a \times K$$

In servomotor drive, multiply the service factor  $K=1.2\sim 1.5$  by the maximum torque of servomotor  $T_s$ .

$$T_d = T_s \times (1.2\sim 1.5)$$

3. Select a coupling size with permissible torque  $T_n$  that becomes greater than the corrected torque  $T_d$ .

$$T_n \geq T_d$$

4. Depending on the bore diameters, the coupling permissible torque may be limited. Refer to the "Specification" and "Standard bore diameter".

5. Confirm if the required shaft diameter does not exceed the maximum bore diameter of the selected size.

If our standard line of ServoClass coupling will not exactly fit your system needs, contact us for a custom design.

- Custom bores
- Ultra high speeds
- Special finishes
- Special Lengths
- Designed for operation in special environments



## Part Numbering Structure

<b>TYPE</b>	<b>SIZE</b>	<b>R</b>	<b>( Bore x Bore )</b>	
<b>Code Description</b>	<b>Code Description</b>	<b>Code</b>	<b>See Chart</b>	
<b>SC</b> Double Flex <b>SD</b> Single Flex	<b>005</b> Size 005 <b>010</b> Size 010 <b>020</b> Size 020 <b>025</b> Size 025 <b>030</b> Size 030 <b>035</b> Size 035 <b>040</b> Size 040 <b>050</b> Size 050 <b>060</b> Size 060 <b>080</b> Size 080 <b>090</b> Size 090 <b>100</b> Size 100	RoHS Compliant  <i>Note: this is the standard design</i>	See Chart  <i>ServoClass couplings are standard without keyways. Keyways are available upon request.</i>	Example: <b>SC050R</b> (20 mm x 1/2") <ul style="list-style-type: none"> <li>Double Flex design</li> <li>Size 050</li> <li>20mm bore without keyway x 1/2" bore without keyway</li> </ul>
<i>Note: The hub design of ServoClass couplings will provide the necessary clamping force to hold the shaft in a dynamic application without the use of keyways. Keyways are available upon request. Please reference the bore size chart below for more details on bore sizes and torque.</i>				

## Bore Size Chart

Inch	mm	Model											
		SD-005R SC-005R	SD-010R SC-010R	SD-020R SC-020R	SD-025R SC-025R	SD-030R SC-030R	SD-035R SC-035R	SD-040R SC-040R	SD-050R SC-050R	SD-060R SC-060R	SD-080R SC-080R	SD-090R SC-090R	SD-100R SC-100R
0.125	3												
	4	●	●	●									
0.1875	5	●	●	●	2.1	2.8							
	6	●	●	●	●	3.4	5						
0.250	6.35		●	●	●	●	5						
	7		●	●	●	●	6.6						
0.3125	8		●	●	●	●	●	9	18				
	9			●	●	●	●	●	20				
0.375	9.525			●	●	●	●	●	22				
	10			●	●	●	●	●	22				
0.4375	11			○	●	●	●	●	●	50			
0.500	12				●	●	●	●	●	51			
0.5625	14				●	●	●	●	●	●			
	15					○	●	●	●	●			
0.625	16					○	●	●	●	●			
	17						○	●	●	●			
0.6875	18						○	●	●	●	●		
0.750	19							●	●	●	●		
0.8125	20							○	●	●	●		
0.875	22							○	●	●	●		
0.9375	24								●	●	●		
1.000	25								●	●	●	●	
1.125	28								○	●	●	●	
1.1875	30								○	●	●	●	
1.250	32									○	●	●	226
1.375	35									○	●	●	●
1.500	38										○	●	●
1.5625	40										○	●	●
1.625	42											○	●
1.750	45											○	●

Note: The ● symbol indicates that the clamping collar will transmit the full rated torque without a keyway.  
 The ○ symbol indicates that the clamping collar will transmit the full rated torque without a keyway, however, the shaft will not be able to pass through the center of the coupling due to the ID of the flex element.  
 A number in the square indicates that the bore is available and the torque rating of the clamp hub is reduced to the value shown in [N-m].  
 A blank square indicates that the bore is not available for the selected coupling size.



### ServoClass® Couplings

Designed for demanding servomotor applications. Zero backlash, high torsional stiffness coupling. Features flexible metal discs and keyless clamp-type mounting hubs. Couplings are RoHS compliant.



### ETP® Shaft Locking Connections

Designed for quick, easy and accurate assembly of mounted shaft components. Both inch and metric bore connections are available from stock.



### CD® Couplings

These high performance couplings out last bellows and steel disc design couplings. The unique design of the composite disc enables the CD® Couplings to withstand punishing applications and deliver high precision performance.



### Roh'lix® Linear Actuators

Roh'lix® Linear Actuators convert rotary motion into precise linear motion. Available in five models. Roh'lix® actuators have thrust ratings from 5 to 200 lbs. All models feature built in overload protection.



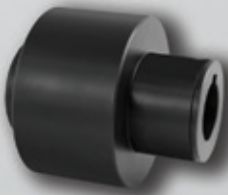
### Schmidt® Offset Couplings

Schmidt® Offset Couplings are designed to handle high amounts of parallel offset up to 17.00". Standard models with torque capacities up to 459,000 in-lbs.



### Adjustable Speed Drives

Easy to install and maintenance free. Zero-Max Drives offer infinitely variable speeds from 0 rpm to 1/4 of input rpm. 5 models with torque ranges from 12 in-lbs to 200 in-lbs.



### Overload Safety Couplings

Torq-Tender® Couplings provide reliable overload protection in any mechanical power transmission system. Torque ranges from 2 to 3000 in-lbs.



### Crown® Gear Drives

Crown® Gear Drives are available with 1:1 and 2:1 ratios. High quality AGMA class 10 spiral bevel gears. Stainless steel shafts and aluminum housings are standard on all Crown® Gear Drives.



### Control-Flex® Couplings

Control-Flex® Couplings are zero backlash couplings designed for encoder and instrumentation type applications.



### OHLA® Overhung Load Adapters

OHLA® Overhung Load Adapters are designed to eliminate radial and axial loads from a hydraulic pump or motor. 11 models available for mounts from SAE A to SAE F.

Warranty. Zero-Max, Inc. the manufacturer, warrants that for a period of 12 months from date of shipment it will repair, or at its option, replace any new apparatus which proves defective in material or workmanship, or which does not conform to applicable drawings and specifications approved by the manufacturer. All repairs and replacements shall be F.O.B. factory. All claims must be made in writing to the manufacturer. • In no event and under no circumstances shall manufacturer be liable for (a) damages in shipment; (b) failures or damages due to misuse, abuse, improper installation or abnormal conditions of temperature, dirt, water or corrosives; (c) failures due to operation, intentional or otherwise, above rated capacities, and (d) non-authorized expenses for removal, inspection, transportation, repair or rework. Nor shall manufacturer ever be liable for consequential and incidental damages, or in any amount greater than the purchase price of the apparatus. • Zero Max, Inc. reserves the right to discontinue models or to change specifications at any time without notice. No discontinuance or change shall create any liability on the part of Zero-Max, Inc. in respect to its products in the hands of customers or products on order not incorporating such changes even though delivered after any such change. • This warranty is in LIEU OF ALL OTHER WARRANTIES, EXPRESS OR IMPLIED, INCLUDING (BUT NOT LIMITED TO) ANY IMPLIED WARRANTIES OF MERCHANTABILITY OR FITNESS FOR A PARTICULAR PURPOSE. THE TERMS OF THIS WARRANTY CONSTITUTE ALL BUYER'S OR USER'S SOLE AND EXCLUSIVE REMEDY, AND ARE IN LIEU OF ANY RIGHT TO RECOVER FOR NEGLIGENCE, BREACH OF WARRANTY, STRICT TORT LIABILITY OR UPON ANY OTHER THEORY. Any legal proceedings arising out of the sale or use of this apparatus must be commenced within 18 months of the date of purchase. • CAUTION: Rotating equipment must be guarded. Also refer to OSHA specifications and recommendations. • Zero-Max®, CD®, ETP®, ServoClass®, Torq-Tender®, Control-Flex®, Posi-Lok®, Roh'lix®, Crown®, Schmidt® and OHLA® are registered trademarks of Zero-Max, Inc. In U.S.A.

© Zero-Max 2013 Printed in U.S.A.



13200 Sixth Avenue North,  
Plymouth, Minnesota 55441-5509  
Phone: 800-533-1731 (763) 546-4300  
Fax (763) 546-8260 www.zero-max.com