

# AC Servo Drives $\Sigma$ -V Series Product Catalog



 **YASKAWA™**

Certified for  
ISO9001 and  
ISO14001



JQA-0422



JQA-EM0202  
JQA-EM0924

# Build the machine you've dreamed of, today!

AC servo drive  
Sigma Five

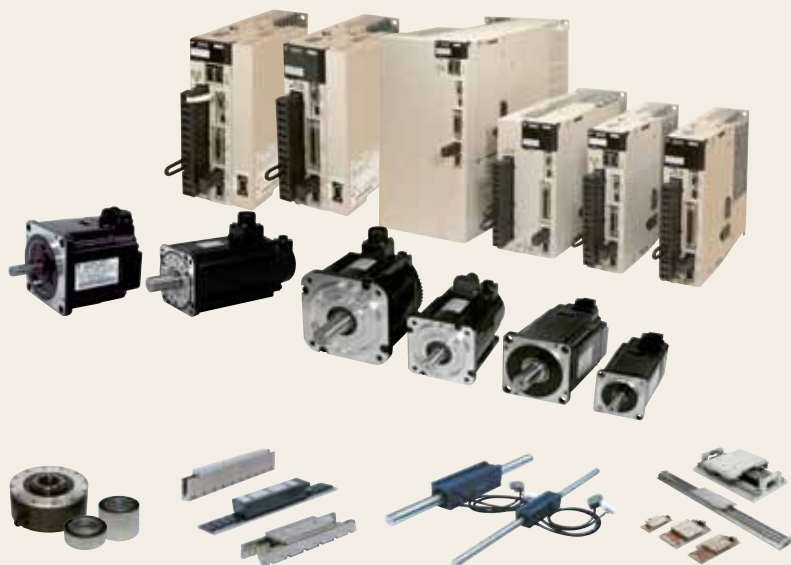


You want maximum effect quickly and easily, as does every engineer in the field. And now the  $\Sigma$ -V series is here with the practical answer to your dreams!

How many times have you heard people say servos need adjustment to work well? Our new tuning-less function means it works as soon as you hook it up!

And if you want more performance than ever before, the  $\Sigma$ -V series advanced autotuning function lets you set up for it rapidly.

Advanced technology makes possible a host of safety standards compliance for the first time in Japan (as of April 2007), compliance with key international standards, a diverse motor line-up, compact size, high speed and simple maintenance: everything you need to answer today's requirements.



International Standards



Safety Standards

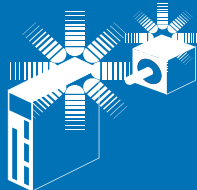
Safety Stop-0 (Standard)

RoHS Directive

RoHS Directive Stands for the EU directive on the Restriction of the Use of Certain Hazardous Substances in Electrical and Electronic Equipment.

Features

Superlative Performance



Operate your machinery faster and with higher precision than ever!

The  $\Sigma$ -V delivers the highest performance in the industry.

- The best amplifier response in the industry slashes settling time

In-house comparison: 1/12th

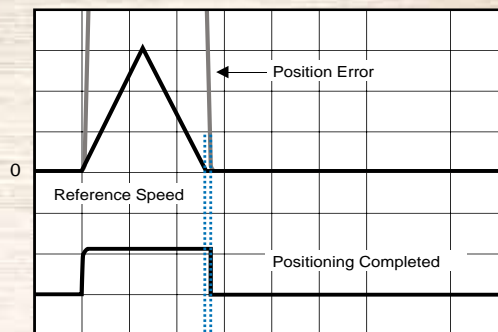
Outstanding frequency response

1.6 kHz\*



\* Representative value when using a combination of the SGMJV-02ADA servomotor and SGD1-1R6A SERVOPACK at one time of the load moment of inertia ratio.

- Servo Adjustment Example: When the ball screw slider was run using a combination of the SGMJV-02ADA servomotor and SGD1-1R6A SERVOPACK.



Settling Time 0 to 4 ms !

- Enhanced vibration suppression

Existing functions to minimize vibration have been enhanced, and new ones added, improving tracking and further improving settling time. Vibration and noise during driving have also been cut, along with vibration at machine edges when stopping.

- Contributing to machine performance in conjunction with a medium-inertia motor

Small Capacity  
SGMJV Series



Low Heating

Improved motor constants have reduced both losses and heating.

Better Cycle Time

Instantaneous peak torque has been boosted from 300% to 350%, contributing to shorter cycle times

Ease of Use

Moment of inertia ratio has been doubled in the same motor, reducing the moment of inertia ratio and boosting gain for faster settling

Medium Capacity  
SGMGV Series



Compact Design

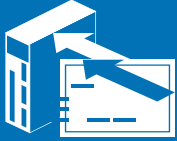
Smaller package and about 20% lighter, but with the same moment of inertia ratio as the conventional model. A small encoder connector is applied.

Improved Vibration Resistance

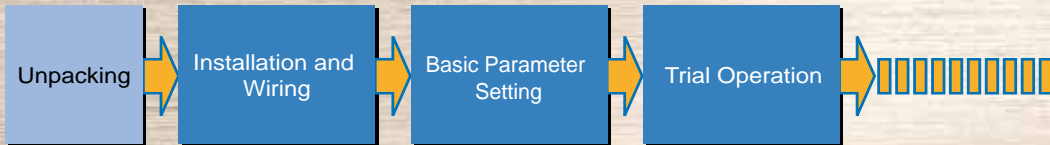
New coupling delivers typical 5G vibration resistance

Encoder resolution  
1,048,576 pulses/revolution

# Simple Start-up

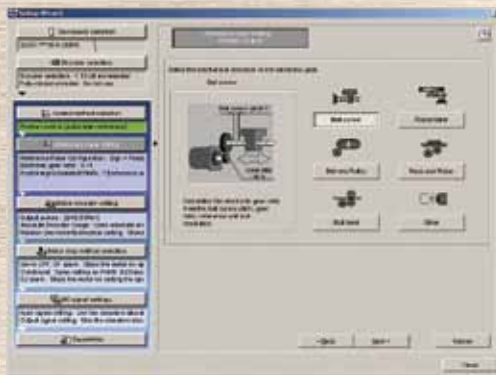


Making servo adjustment quick and simple



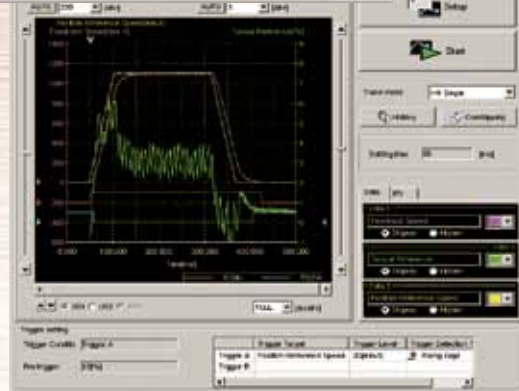
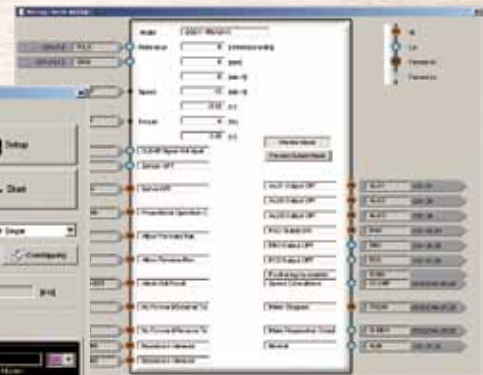
## Faster setup

SigmaWin+



**Setup Wizard**  
Simple parameter set-up with wizard-aided input

**Wiring Check Function**  
The SigmaWin+ wiring check function checks your wiring in a single operation



**Trace Function**  
Realtime trace of adjustment state means you can check instantly.

USB1.1 Support

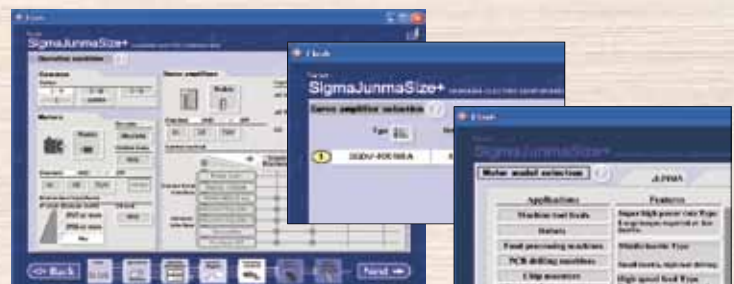
● Full of handy functions for start-up and more effective operation!

### ■ Selection

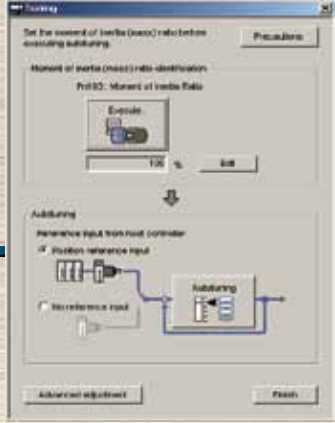
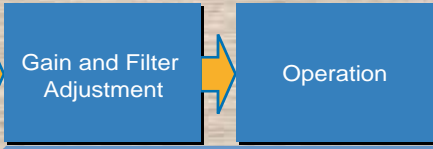
Servomotor capacity selection software

SigmaJunmaSize+

Optimal selection for your application:  
With consideration of moment of inertia, DB resistance, etc.



# Let the $\Sigma$ -V series simplify your life!



New Advanced Autotuning Window

## Simple Tuning

Get up and running quickly after hooking up the motor  
 ● New Tuning-less Function

Even without servo adjustment and with load changes, oscillation- and vibration-free drive is possible up to 20 times the load moment of inertia.  
 Settling time: 100 to 150 ms level

Minimize settling time with less vibration  
 ● New Advanced Autotuning

The reference filter and feedback gain adjustment functions have a new automatic feed forward gain adjustment for optimal adjustment performance. The friction compensation function automatically cancels out the effect of friction on machine characteristics.  
 Settling time: 10 ms level

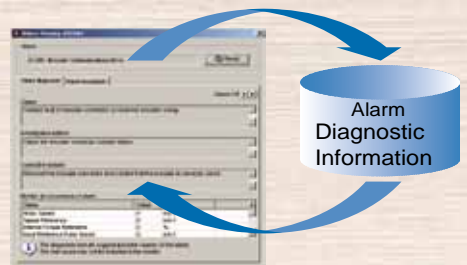
Fine-tuning is a must  
 ● New "One-parameter" Tuning

Fine-tuning can tweak machine performance to the max.  
 Settling time: 0 to 4 ms level

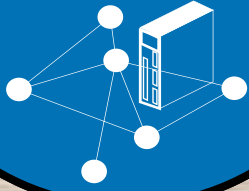
### Maintenance Faster Troubleshooting

Engineering tool  
 SigmaWin+

Alarm diagnostic function:  
 Presumes possible causes of the alarm and immediately displays suggested corrective actions.



# Outstanding Expandability



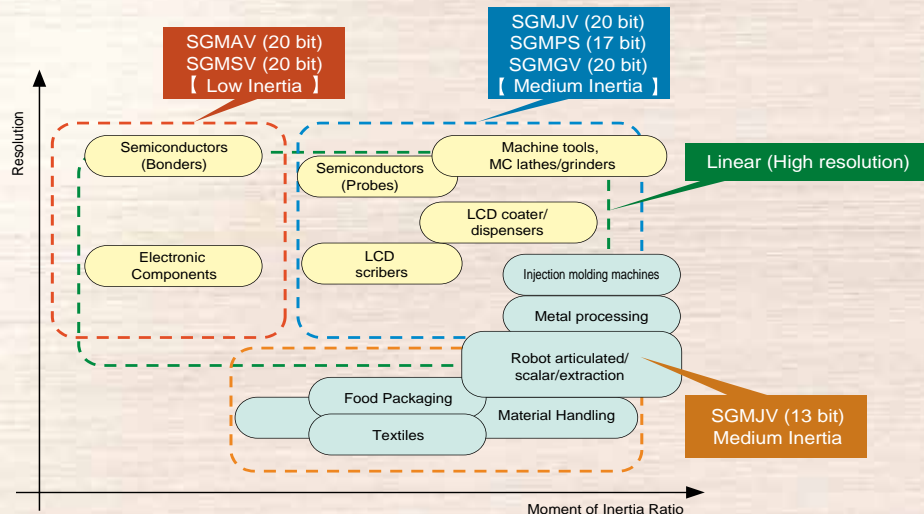
Use servos that really fit into your system

A rich selection of models and options to match your requirements

- Extensive variety of motors to match any machine
  - Medium-inertia servomotors → Improved control stability
  - Low-inertia servomotors → High-speed acceleration and deceleration
- Selection of servo actuators
  - Support for direct drive servomotors, linear servomotors and linear sliders
- Standard support for analog voltage/pulse train reference series or MECHATROLINK-II communications reference series
- Wide selection of option modules for various communication interfaces and feedback
- Compliant with applicable safety standards
  - Easy compliance with machine safety standards
- Motor line-up to handle a wide range of markets and applications



**The first in the industry in Japan!**  
(as of April 2007)



# Product Line-up

## Servomotors

### ◆Rotary Servomotors (Small Capacity)



SGMJV  
(Medium Inertia, Small Capacity)  
50 W to 750 W



SGMAV  
(Low Inertia, Small Capacity)  
50 W to 1 kW

### ◆Rotary Servomotors (Medium Capacity)



SGMGV  
(Medium Inertia, Medium Capacity)  
300 W to 15 kW



SGMSV  
(Low Inertia, Medium Capacity)  
1.0 kW to 7.0 kW

### ◆Direct Drive Servomotors



SGMCS (Small Capacity)  
2 to 3.5 Nm



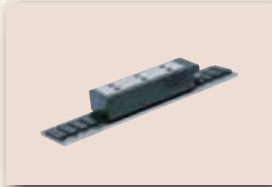
SGMCS (Medium Capacity)  
45 to 200 Nm

### ◆Linear Servomotors

Linear  $\Sigma$  Series



SGLGW (Coreless Type)  
12.5 to 750 N



SGLFW (With F-type Iron Core)  
25 to 1120 N



SGLTW (With T-type Iron Core)  
130 to 1300 N

### ◆Cylinder Type Linear Servomotor

$\Sigma$ -Stick Series



SGLC  
17 to 180 N

### ◆Linear Slides $\Sigma$ -Trac Series



SGT1F ( $\Sigma$ -Trac)  
47 to 560 N



SGTMM ( $\Sigma$ -Trac- $\mu$ )  
3.5 to 7 N



SGTMF ( $\Sigma$ -Trac-MAG)  
90 to 240 N

## SERVOPACKs

### ◆ Analog Voltage/Pulse Train Reference



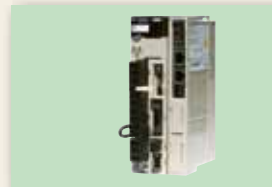
SGDV-□□□□01/05 SERVOPACK

### ◆ MECHATROLINK-II Communications Reference



SGDV-□□□□11/15 SERVOPACK

### ◆ Command Option Attachable Type



SGDV SERVOPACK with Additional Options

- Available Option Modules include:
- EtherCAT (CoE) Communication
  - Fully Closed Loop Control
  - MP2600iec Single Axis Controller
  - Functional Safety
  - Indexer

## ◆ Stock Status Definitions

The product selection tables in this catalog contain stock status codes, which are subject to change. The codes are defined below:

### **S** **Stock Item**

Normally 3 to 5 days leadtime for most order quantities. 3 to 5 weeks maximum if temporary outages occur. For critical lead time or large quantity shipments, check with your Yaskawa sales representative.

### **LS** **Limited Stock Item**

Typically small quantities are available from stock. Items may become stock items as demand increases.

### **NS** **Non-Stock Item**

Non-stock items typically carry a 12 - 16 week delivery time.

### **GS** **Global Support Item**

Global Support Products are non-stock items that are not promoted in North America. Delivery is typically 14-20 weeks depending on price availability. Local repair and service capabilities may be limited. Customers should consider stock or limited stock substitutes if possible. Global Support Products are found on some machines imported to North America. In many cases the fastest delivery of spare parts can be obtained by contacting the original machine builder. Yaskawa Electric America can make special arrangements for servicing customers on a contract basis.



### ◆Rotary Servomotors and SERVOPACKs

Rotary Servomotor Model		Capacity	SERVOPACK Model SGD□-□□□□			Stock Status			
			Single-phase 100 VAC	Three-phase 200 VAC	Three-phase 400 VAC				
SGMJV (Medium Inertia, Small Capacity) 3000min <sup>-1</sup>	SGMJV-A5A	50 W	R70F	R70A	—	S			
	SGMJV-01A	100 W	R90F	R90A					
	SGMJV-02A	200 W	2R1F	1R6A					
	SGMJV-04A	400 W	2R8F	2R8A					
	SGMJV-08A	750 W	—	5R5A					
SGMAV (Low Inertia, Small Capacity) 3000min <sup>-1</sup>	SGMAV-A5A	50 W	R70F	R70A	—	S			
	SGMAV-01A	100 W	R90F	R90A					
	SGMAV-C2A	150 W	2R1F	1R6A					
	SGMAV-02A	200 W							
	SGMAV-04A	400 W	2R8F	2R8A					
	SGMAV-06A	550 W	—	5R5A					
	SGMAV-08A	750 W							
SGMAV-10A	1.0 kW	120A <sup>*1</sup>							
SGMGV (Medium Inertia, Medium Capacity) 1500min <sup>-1</sup>	SGMGV-03A	300 W	—	3R8A	—	S			
	SGMGV-05A	450 W		7R6A					
	SGMGV-09A	850 W		120A					
	SGMGV-13A	1.3 kW		180A					
	SGMGV-20A	1.8 kW		330A/200A <sup>*2</sup>					
	SGMGV-30A	2.9 kW		330A					
	SGMGV-44A	4.4 kW		470A					
	SGMGV-55A	5.5 kW		550A					
	SGMGV-75A	7.5 kW		590A					
	SGMGV-1AA	11 kW		780A					
	SGMGV-1EA	15 kW							
	SGMGV-03D	300 W		—			—	1R9D	S
	SGMGV-05D	450 W						3R5D	
	SGMGV-09D	850 W						5R4D	
	SGMGV-13D	1.3 kW						8R4D	
	SGMGV-20D	1.8 kW						120D	
	SGMGV-30D	2.9 kW						170D	
	SGMGV-44D	4.4 kW						210D	
	SGMGV-55D	5.5 kW						260D	
SGMGV-75D	7.5 kW	280D							
SGMGV-1AD	11 kW	370D							
SGMGV-1ED	15 kW								
SGMSV (Low Inertia, Medium Capacity) 3000min <sup>-1</sup>	SGMSV-10A	1.0 kW	—	7R6A	—	S			
	SGMSV-15A	1.5 kW		120A					
	SGMSV-20A	2.0 kW		180A					
	SGMSV-25A	2.5 kW		200A					
	SGMSV-30A	3.0 kW							
	SGMSV-40A	4.0 kW		330A					
	SGMSV-50A	5.0 kW							
	SGMSV-70A	7.0 kW					550A		
	SGMSV-10D	1.0 kW		—			—	3R5D	
	SGMSV-15D	1.5 kW						5R4D	
	SGMSV-20D	2.0 kW						8R4D	
	SGMSV-25D	2.5 kW						120D	
	SGMSV-30D	3.0 kW							
	SGMSV-40D	4.0 kW							
	SGMSV-50D	5.0 kW						170D	

\*1: Single-phase 200 VAC SERVOPACKs are also available (SERVOPACK model: SGD□-120A□□A008000).

\*2: The combination of the SGD□-200A SERVOPACK and the SGMGV-30A servomotor must be used at the following reduction ratings.

		Reduction Ratings	Ratings
Rated Current	A <sub>rms</sub>	19.6	23.8
Rated Torque	Nm	15.3	18.6
Allowable Load Moment of Inertia		3 times	5 times

◆Linear Servomotors and SERVOPACKs

Linear Servomotor Model		Rated Force N	Peak Force N	SERVOPACK Model SGD□□□□			Stock Staus		
				Single-phase 100 VAC	Three-phase 200 VAC	Three-phase 400 VAC			
SGLGW (Coreless Type, With standard magnetic way)	SGLGW-30A050C	12.5	40	R70F	R70A	—	S		
	SGLGW-30A080C	25	80	R90F	R90A				
	SGLGW-40A140C	47	140	2R1F	1R6A				
	SGLGW-40A253C	93	280						
	SGLGW-60A140C	70	220	2R8F	2R8A				
	SGLGW-40A365C	140	420						
	SGLGW-60A253C	140	440	—	5R5A				
	SGLGW-60A365C	210	660		120A				
	SGLGW-90A200C	325	1300		180A				
	SGLGW-90A370C	550	2200		200A				
SGLGW-90A535C	750	3000							
SGLGW (Coreless Type, With high-efficiency magnetic way)	SGLGW-40A140C	57	230	2R1F	1R6A	—	NS		
	SGLGW-60A140C	85	360	2R8F	2R8A				
	SGLGW-40A253C	114	460						
	SGLGW-40A365C	171	690	—	3R8A				
	SGLGW-60A253C	170	720		7R6A				
	SGLGW-60A365C	255	1080						
SGLFW (With F-type Iron Core)	SGLFW-20A090A	25	86	2R1F	1R6A	—	S		
	SGLFW-20A120A	40	125		3R8A				
	SGLFW-35A120A	80	220						
	SGLFW-35A230A	160	440		5R5A				
	SGLFW-50A200B	280	600	120A					
	SGLFW-50A380B	560	1200						
	SGLFW-1ZA200B	560	1200	200A					
	SGLFW-1ZA380B	1120	2400						
	SGLFW-35D120A	80	220	—	1R9D				
	SGLFW-35D230A	160	440					3R5D	
	SGLFW-50D200B	280	600						
	SGLFW-50D380B	560	1200						
	SGLFW-1ZD200B	560	1200						5R4D
	SGLFW-1ZD380B	1120	2400					120D	
SGLTW (With T-type Iron Core)	SGLTW-20A170A	130	380	—	3R8A	—	NS		
	SGLTW-35A170A	220	660		5R5A				
	SGLTW-35A170H	300	600		7R6A				
	SGLTW-50A170H	450	900		120A				
	SGLTW-20A320A	250	760						
	SGLTW-20A460A	380	1140						
	SGLTW-35A320A	440	1320						
	SGLTW-35A320H	600	1200		180A				
	SGLTW-50A320H	900	1800						
	SGLTW-35A460A	670	2000		330A				
	SGLTW-40A400B	670	2600						
	SGLTW-40A600B	1000	4000		—			3R5D	
	SGLTW-80A400B	1300	5000						8R4D
	SGLTW-35D170H	300	600						
	SGLTW-50D170H	450	900						
	SGLTW-35D320H	600	1200						
	SGLTW-50D320H	900	1800						
	SGLTW-40D400B	670	2600						170D
	SGLTW-40D600B	1000	4000						
	SGLTW-80D400B	1300	5000						

### ◆Cylinder Type Servomotors ( $\Sigma$ -Stick) and SERVOPACKs

Linear Servomotor Model		Rated Force N	Peak Force N	SERVOPACK Model SGD□-□□□□		Stock Status	
				Single-phase 100 VAC	Three-phase 200 VAC		
SGLC	SGLC-D16A085	17	60	R70F	R70A	GS	
	SGLC-D16A115	25	90		R90F		R90A
	SGLC-D16A145	34	120	2R1F	1R6A		
	SGLC-D20A100	30	150		2R8A		
	SGLC-D20A135	45	225		1R6A		
	SGLC-D20A170	60	300	2R8F	2R8A		
	SGLC-D25A125	70	280		—		5R5A
	SGLC-D25A170	105	420				
	SGLC-D32A165	90	420	—	5R5A		
	SGLC-D25A215	140	560				
	SGLC-D32A225	135	630				
	SGLC-D32A285	180	840	—	5R5A		

### ◆Linear Slides ( $\Sigma$ -Trac) and SERVOPACKs





Linear Slide Model		Rated Force N	Peak Force N	SERVOPACK Model SGD□-□□□□		Stock Status
				Single-phase 100 VAC	Three-phase 200 VAC	
SGT1F ( $\Sigma$ -Trac)	SGT1F31-	80	220	2R1F	1R6A	LS
	SGT1F41-	160	440	—	3R8A	
	SGT1F91-	280	600		5R5A	
	SGT1FA1-	560	1200		120A	
SGTMM ( $\Sigma$ -Trac- $\mu$ )	SGTMM-01	3.5	10	R70F	R70A	GS
	SGTMM-03	7	25	R90F	R90A	
SGTMF ( $\Sigma$ -Trac-MAG)	SGTMF-4A	90	270	2R1F	1R6A	GS
	SGTMF-4B	120	360		—	
	SGTMF-5A	180	540			
	SGTMF-5B	240	720			

### ◆Direct Drive Servomotors and SERVOPACKs





Direct Drive Servomotor Model		Rated Torque N m	Peak Torque N m	SERVOPACK Model SGD□-□□□□		Stock Status	
				Single-phase 100 VAC	Three-phase 200 VAC		
SGMCS (Small Capacity)	SGMCS-02B	2	6	2R1F	2R8A	S	
	SGMCS-05B	5	15				
	SGMCS-07B	7	21				
	SGMCS-04C	4	12	2R8F			
	SGMCS-10C	10	30				
	SGMCS-14C	14	42				
	SGMCS-08D	8	24				
	SGMCS-17D	17	51				
	SGMCS-25D	25	75	—			5R5A
	SGMCS-16E	16	48				
	SGMCS-35E	35	105				
SGMCS (Medium Capacity)	SGMCS-45M	45	135	—	7R6A	S	
	SGMCS-80M	80	240		120A		
	SGMCS-80N	80	240		180A		
	SGMCS-1AM	110	330		200A		
	SGMCS-1EN	150	450				
	SGMCS-2ZN	200	600				





## Servomotors

<b>Rotary Servomotors</b>		<b>1</b>	
Medium inertia, small capacity	SGMJV	1	
Low inertia, small capacity	SGMAV	23	
Medium inertia, medium capacity	SGMGV	47	
Low inertia, medium capacity	SGMSV	71	
Rotary Servomotor General Instructions		91	
<b>Direct Drive Servomotors</b>		<b>101</b>	
Small capacity, medium capacity	SGMCS	101	
<b>Linear Servomotors</b>		<b>119</b>	
Coreless type	SGLGW	119	
With F-type iron core	SGLFW	139	
With T-type iron core	SGLTW	159	
Cylinder type $\Sigma$ -Stick	SGLC	187	
Linear Servomotor General Instructions		201	
<b>Linear Slides</b>		<b>209</b>	
$\Sigma$ -Trac	SGT1F	209	
$\Sigma$ -Trac- $\mu$	SGTMM	217	
$\Sigma$ -Trac-MAG	SGTMF	225	

## SERVOPACKs

Analog Voltage/Pulse Train Reference Type SERVOPACKs	233	
MECHATROLINK-II Communications Reference Type SERVOPACKs	257	
SERVOPACK with Additional Options	279	
Wiring Main Circuit and Peripheral Devices	335	

## Others

Selecting Servomotor Capacity and Regenerative Capacity	353	
Connection to Host Controller	369	

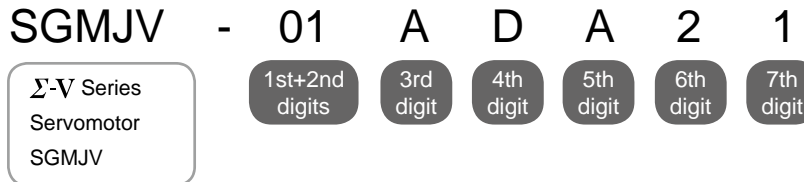
# Rotary Servomotors

# SGMJV



## Model Designations

### ● Without Gears



**1st+2nd digits** Rated Output

Code	Specifications
A5	50 W
01	100 W
02	200 W
04	400 W
08	750 W

**3rd digit** Power Supply Voltage

Code	Specifications
A	200 VAC

**4th digit** Serial Encoder

Code	Specifications
3	20-bit absolute*
D	20-bit incremental
A	13-bit incremental

**5th digit** Design Revision Order

Code	Specifications
A	Standard

**6th digit** Shaft End

Code	Specifications
2	Straight without key
6	Straight with key and tap
B	With two flat seats

**7th digit** Options

Code	Specifications
1	Without options
C	With holding brake (24 VDC)
E	With oil seal and holding brake (24 VDC)
S	With oil seal

Limited Stock Items

Non-Stock Items

\*: When exporting the servomotors themselves, export restrictions may apply. Follow each country's export restrictions.

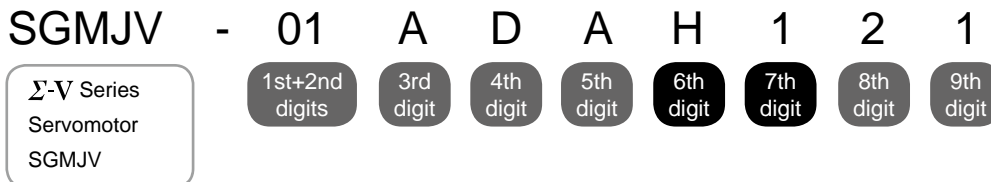
## Features

- Medium inertia
- Instantaneous peak torque (350% of rated torque)
- Mounted high-resolution serial encoder: 13, 20 bits
- Maximum speed: 6,000 min<sup>-1</sup>
- Wide Selection: 50 to 750 W capacity, holding brake and gear options

## Application Examples

- Semiconductor equipment
- Chip mounters
- PCB drilling stations
- Robots
- Material handling machines
- Food processing equipment

- With Gears (Global Support - Refer to Stock Status Definitions - page viii)



**1st+2nd digits** Rated Output

Code	Specifications
A5	50 W
01	100 W
02	200 W
04	400 W
08	750 W

**3rd digit** Power Supply Voltage

Code	Specifications
A	200 VAC

**4th digit** Serial Encoder

Code	Specifications
3	20-bit absolute (standard)*
D	20-bit incremental (standard)
A	13-bit incremental (standard)

**5th digit** Design Revision Order

Code	Specifications
A	Standard

**6th digit** Gear Type

Code	Specifications
H	HDS planetary low-backlash gear

**7th digit** Gear Ratio

Code	Specifications
B	1/11 (Not available: 50 W)
C	1/21
1	1/5
2	1/9 (Only 50 W)
7	1/33

**8th digit** Shaft End

Code	Specifications
0	Flange output
2	Straight without key
6	Straight with key and tap

**9th digit** Options

Code	Specifications
1	Without options
C	With holding brake (24 VDC)

\*: When exporting the servomotors themselves, export restrictions may apply. Follow each country's export restrictions.

# Ratings and Specifications

Time Rating: Continuous  
 Vibration Class: V15  
 Insulation Resistance: 500 VDC, 10 MΩ min.  
 Ambient Temperature: 0 to 40°C  
 Excitation: Permanent magnet  
 Mounting: Flange-mounted  
 Thermal Class: B

Withstand Voltage: 1500 VAC for one minute  
 Enclosure: Totally enclosed, self-cooled, IP65  
 (except for shaft opening)  
 Ambient Humidity: 20% to 80% (no condensation)  
 Drive Method: Direct drive  
 Rotation Direction: Counterclockwise (CCW) with forward run reference when viewed from the load side

Voltage		200 V				
Servomotor Model: SGMJV-□□□□		A5A	01A	02A	04A	08A
Rated Output <sup>*1</sup>	W	50	100	200	400	750
Rated Torque <sup>*1, *2</sup>	N•m	0.159	0.318	0.637	1.27	2.39
Instantaneous Peak Torque <sup>*1</sup>	N•m	0.557	1.11	2.23	4.46	8.36
Rated Current <sup>*1</sup>	A <sub>rms</sub>	0.61	0.84	1.6	2.7	4.7
Instantaneous Max. Current <sup>*1</sup>	A <sub>rms</sub>	2.1	2.9	5.8	9.3	16.9
Rated Speed <sup>*1</sup>	min <sup>-1</sup>	3000				
Max. Speed <sup>*1</sup>	min <sup>-1</sup>	6000				
Torque Constant	N•m/A <sub>rms</sub>	0.285	0.413	0.435	0.512	0.544
Rotor Moment of Inertia	×10 <sup>-4</sup> kg•m <sup>2</sup>	0.0414 (0.0561)	0.0665 (0.0812)	0.259 (0.323)	0.442 (0.506)	1.57 (1.74)
Rated Power Rate <sup>*1</sup>	kW/s	6.11	15.2	15.7	36.5	36.3
Rated Angular Acceleration <sup>*1</sup>	rad/s <sup>2</sup>	38400	47800	24600	28800	15200
Applicable SERVOPACK	SGDV-□□□□	R70□	R90□	1R6A,2R1F	2R8□	5R5A

\*1: These items and torque-motor speed characteristics quoted in combination with an SGD V SERVOPACK are at an armature winding temperature of 100°C. Other values quoted are at 20°C.

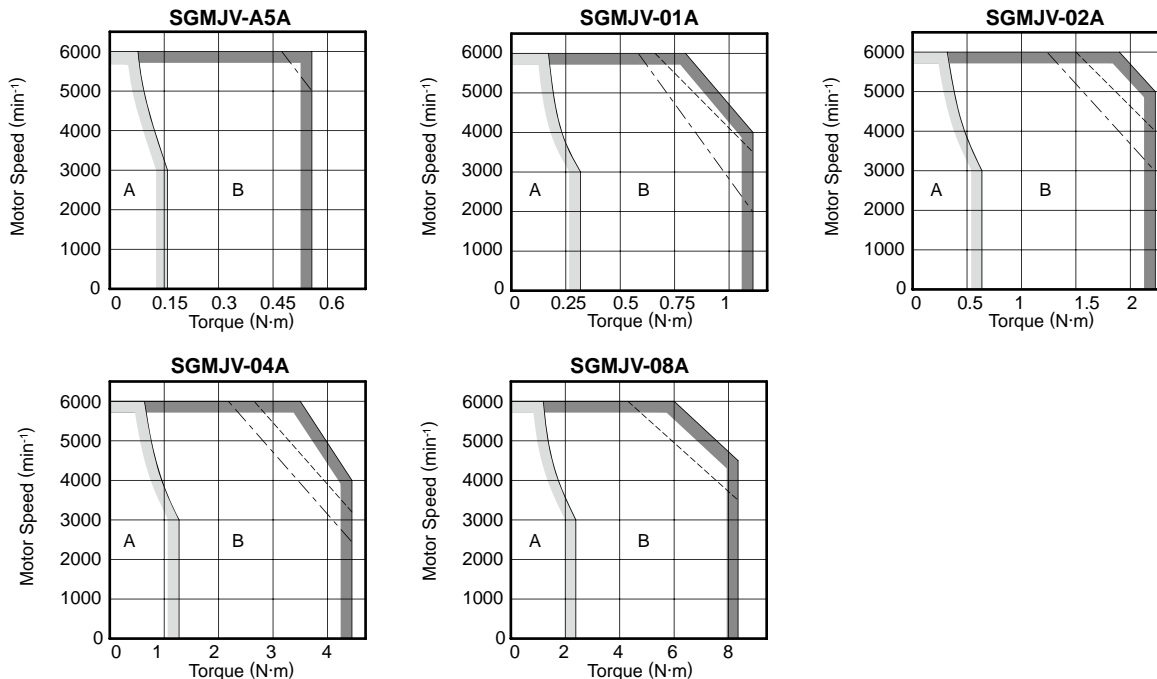
\*2: Rated torques are continuous allowable torque values at 40°C with an aluminum heat sink of the following dimensions attached.

SGMJV-A5A, -01A: 200 mm×200 mm×6 mm

SGMJV-02A, -04A, -08A: 250 mm×250 mm×6 mm

Note: The values in parentheses are for servomotors with holding brakes.

## ● Torque-Motor Speed Characteristics **A** : Continuous Duty Zone **B** : Intermittent Duty Zone<sup>(Note3)</sup>



Notes: 1 The solid, dotted, and dashed-dotted lines of the intermittent duty zone indicate the characteristics when a servomotor runs with the following combinations:

- The solid line: With a three-phase 200 V or a single-phase 230 V SERVOPACK
- The dotted line: With a single-phase 200 V SERVOPACK
- The dashed-dotted line: With a single-phase 100 V SERVOPACK

An SGMJV-A5A servomotor has the same characteristics in combination with three-phase 200 V and single-phase 200 V SERVOPACKs.

2 The characteristics of the intermittent duty zone differ depending on the supply voltages.

3 When the effective torque during intermittent duty is within the rated torque, the servomotor can be used within the intermittent duty zone.

4 When the main circuit cable length exceeds 20 m, note that the intermittent duty zone of the Torque-Motor Speed Characteristics will shrink as the line-to-line voltage drops.



## Ratings and Specifications

### Derating Rate for Servomotor Fitted with an Oil Seal

When a motor is fitted with an oil seal, use the following derating rate because of the higher friction torque.

Servomotor Model SGMJV-	A5A	01A	02A	04A	08A
Derating Rate %	80	90		95	

### Holding Brake Electrical Specifications

Holding Brake Rated Voltage	Servomotor Model	Servomotor Rated Output W	Holding Brake Specifications					
			Capacity W	Holding Torque N·m	Coil Resistance $\Omega$ (at 20°C)	Rated Current A(at 20°C)	Brake Release Time ms	Brake Operation Time ms
24 VDC <sup>+10%</sup> <sub>0</sub>	SGMJV-A5A	50	5.5	0.159	103	0.23	60	100
	SGMJV-01A	100	5.5	0.318	103	0.23	60	100
	SGMJV-02A	200	6	0.637	97.4	0.25	60	100
	SGMJV-04A	400	6	1.27	97.4	0.25	60	100
	SGMJV-08A	750	6.5	2.39	87.7	0.27	80	100

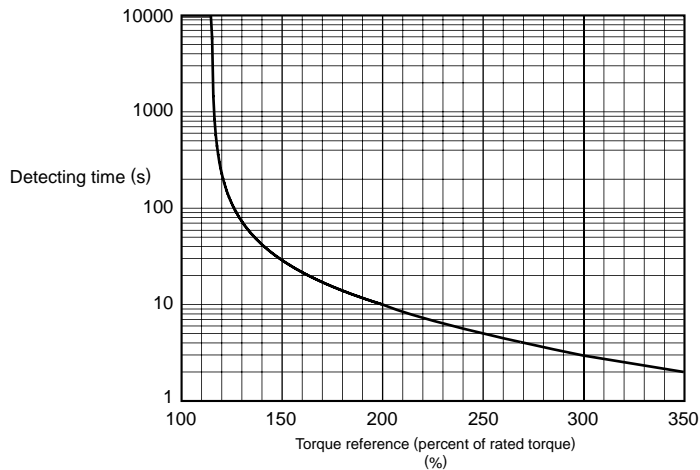
Notes: 1 The holding brake is only used to hold the load and cannot be used to stop the servomotor.

2 The holding brake open time and holding brake operation time vary depending on which discharge circuit is used. Make sure holding brake open time and holding brake operation time are correct for your servomotor.

3 A 24-VDC power supply is provided by customers.

### Overload Characteristics

The overload detection level is set under hot start conditions at a servomotor ambient temperature of 40°C.



Note: Overload characteristics shown above do not guarantee continuous duty of 100% or more output. Use a servomotor with effective torque within the continuous duty zone of Torque-Motor Speed Characteristics.

## Ratings and Specifications

### ● Allowable Load Moment of Inertia at the Motor Shaft

The rotor moment of inertia ratio is the value for a servomotor without a gear and a holding brake.

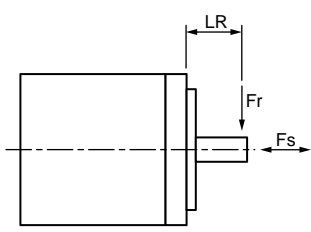
Servomotor Model		Servomotor Rated Output	Allowable Load Moment of Inertia (Rotor Moment of Inertia Ratio)
SGMJV-	A5A, 01A	50, 100 W	20 times
	02A	200 W	15 times
	04A, 08A	400 to 750 W	10 times

### ● Load Moment of Inertia

- The larger the load moment of inertia, the worse the movement response.
- The allowable load moment of inertia ( $J_L$ ) depends on motor capacity, as shown above. This value is provided strictly as a guideline and results may vary depending on servomotor drive conditions.
- Use the AC servo drive capacity selection program SigmaJunmaSize+ to check the operation conditions. The program can be downloaded for free from our web site (<http://www.e-mechatronics.com/>).
- An overvoltage alarm (A.400) is likely to occur during deceleration if the load moment of inertia exceeds the allowable load moment of inertia. SERVOPACKs with a built-in regenerative resistor may generate a regenerative overload alarm (A.320). Take one of the following steps if this occurs.
  - Reduce the torque limit.
  - Reduce the deceleration rate.
  - Reduce the maximum speed.
  - Install an external regenerative resistor if the alarm cannot be cleared using the steps above. Refer to Regenerative Resistors on page 350.
- Regenerative resistors are not built into SERVOPACKs for 400 W motors or less.
- External regenerative resistors are required when this condition is exceeded or if the allowable loss capacity (W) of the built-in regenerative resistor is exceeded due to regenerative drive conditions when a regenerative resistor is already built in.

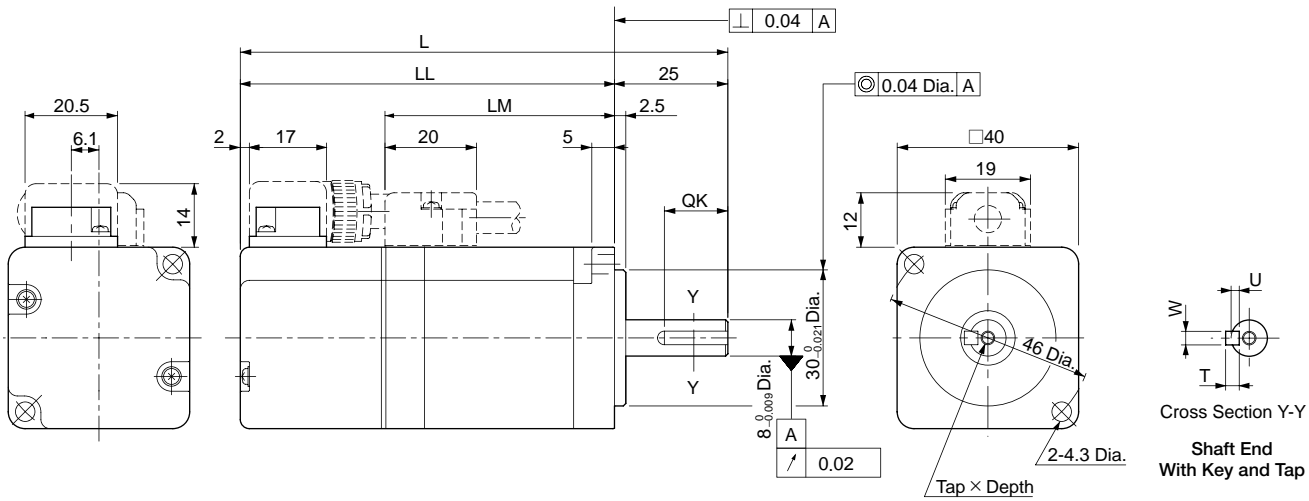
### ● Allowable Radial and Thrust Loads

Design the mechanical system so thrust and radial loads applied to the servomotor shaft end during operation fall within the ranges shown in the table.

Servomotor Model		Allowable Radial Load ( $F_r$ ) N	Allowable Thrust Load ( $F_s$ ) N	LR mm	Reference Diagram
SGMJV-	A5A	78	54	20	
	01A				
	02A	245	74	25	
	04A				
	08A	392	147	35	

**External Dimensions** Units: mm

(1) 50 to 100 W

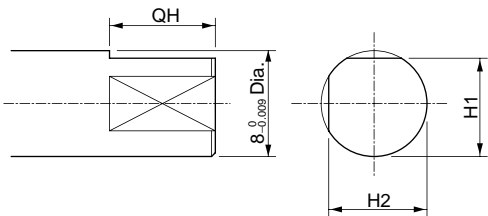


Model SGMJV-	L	LL	LM	Tap x Depth	Key Dimensions				Approx. Mass kg
					QK	U	W	T	
A5A□A21 (A5A□A2C)	94 (139)	69 (114)	37	No tap	No key				0.3 (0.6)
A5A□A61 (A5A□A6C)				M3 x 6L	14	1.8	3	3	
01A□A21 (01A□A2C)	107.5 (152.5)	82.5 (127.5)	50.5	No tap	No key				0.4 (0.7)
01A□A61 (01A□A6C)				M3 x 6L	14	1.8	3	3	

Note: The models and values in parentheses are for servomotors with holding brakes.

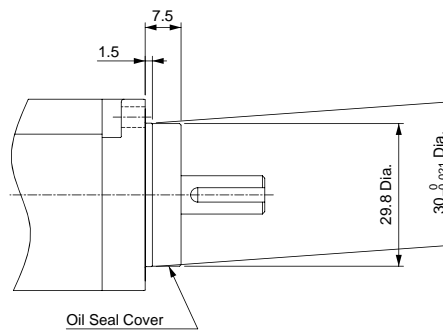
<Shaft End and Other Options>

● With Two Flat Seats



Model SGMJV-	Dimensions of Servomotor with Two Flat Seats mm		
	QH	H1	H2
A5A□AB□	15	7.5	7.5
01A□AB□			

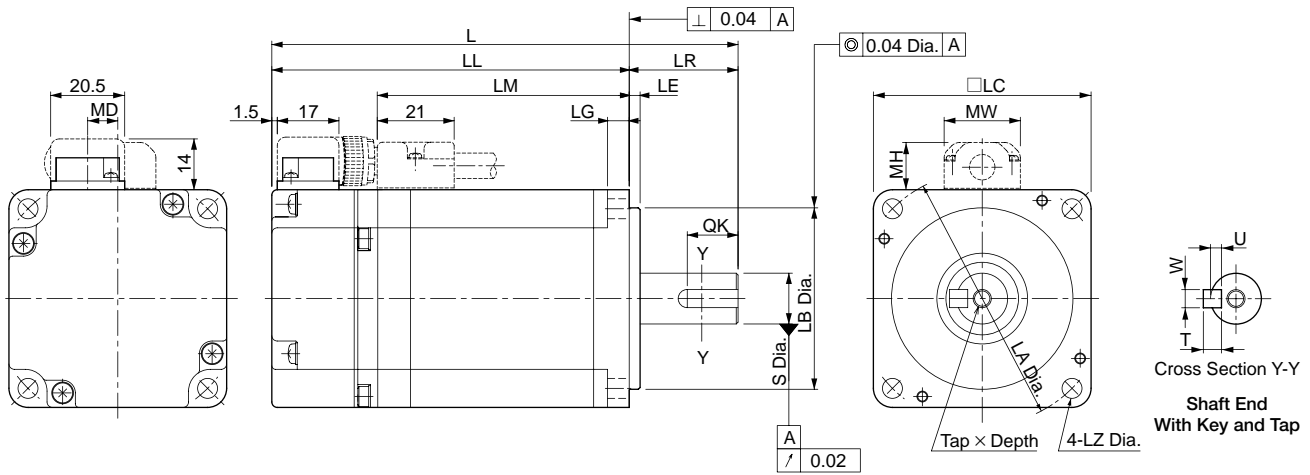
● With an Oil Seal



Notes: 1 The 7th digit of the model designation is "S" or "E."  
2 Key dimensions are the same as those in the table above.

# External Dimensions Units: mm

(2) 200 to 750 W

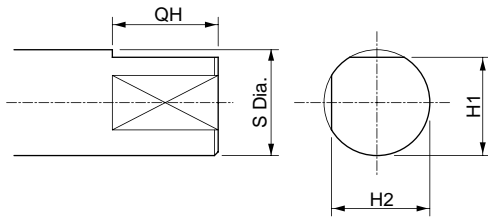


Model SGMJV-	L	LL	LM	Flange Face Dimensions							S	Tap x Depth	Key Dimensions				MD	MW	MH	Approx. Mass kg
				LR	LE	LG	LC	LA	LB	LZ			QK	U	W	T				
02A□A21 (02A□A2C)	110 (150)	80 (120)	51	30	3	6	60	70	50 <sup>0</sup> <sub>-0.025</sub>	5.5	14 <sup>0</sup> <sub>-0.011</sub>	No tap	No key				8.3	21	13	0.9 (1.5)
02A□A61 (02A□A6C)												M5x8L	14	3	5	5				
04A□A21 (04A□A2C)	128.5 (168.5)	98.5 (138.5)	69.5	30	3	6	60	70	50 <sup>0</sup> <sub>-0.025</sub>	5.5	14 <sup>0</sup> <sub>-0.011</sub>	No tap	No key				8.3	21	13	1.3 (1.9)
04A□A61 (04A□A6C)												M5x8L	14	3	5	5				
08A□A21 (08A□A2C)	155 (200)	115 (160)	85	40	3	8	80	90	70 <sup>0</sup> <sub>-0.030</sub>	7	19 <sup>0</sup> <sub>-0.013</sub>	No tap	No key				13.8	27	15	2.7 (3.6)
08A□A61 (08A□A6C)												M6x10L	22	3.5	6	6				

Note: The models and values in parentheses are for servomotors with holding brakes.

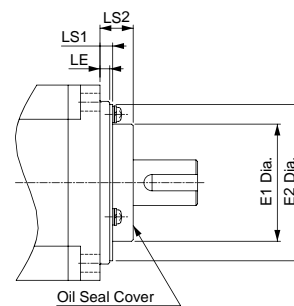
## <Shaft End and Other Options>

### ● With Two Flat Seats



Model SGMJV-	Dimensions of Servomotor with Two Flat Seats mm			
	QH	S	H1	H2
02A□AB□	15	14 <sup>0</sup> <sub>-0.011</sub>	13	13
04A□AB□		19 <sup>0</sup> <sub>-0.013</sub>	18	18

### ● With an Oil Seal



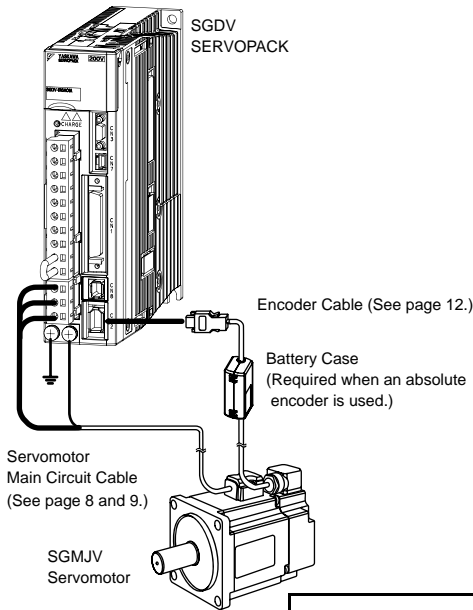
Model SGMJV-	Dimensions of Servomotor with an Oil Seal			
	E1	E2	LS1	LS2
02A, 04A	36	48	4	10
08A	49	66	6	11

Notes: 1 The 7th digit of the model designation is "S" or "E."  
2 Key dimensions are the same as those in the table above.

## Selecting Cables

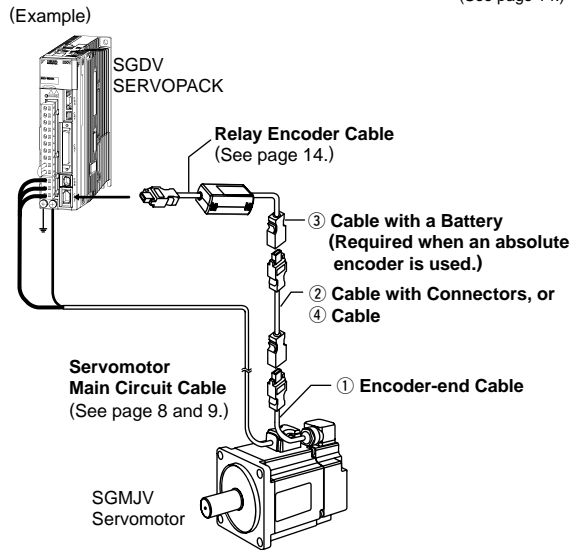
### ● Cables Connections

- Standard Wiring (Max. encoder cable length: 20 m)



- Encoder Cable Extension from 30 to 50 m

(See page 14.)



### ⚠ CAUTION

- Separate the servomotor main circuit cable wiring from the I/O signal cable and encoder cable at least 30 cm, and do not bundle or run them in the same duct.
- When the cable length exceeds 20 m, be sure to use a relay encoder cable.
- When the main circuit cable length exceeds 20 m, note that the intermittent duty zone of the Torque-Motor Speed Characteristics will shrink as the line-to-line voltage drops.

### ● Servomotor Main Circuit Cable

Name	Servomotor Rated Output	Length	Order No.		Specifications	Details
			Standard Type	Flexible Type*		
For Servomotor without Holding Brakes	50 to 100 W	3 m	JZSP-CSM01-03-E	JZSP-CSM21-03-E		(1)
		5 m	JZSP-CSM01-05-E	JZSP-CSM21-05-E		
		10 m	JZSP-CSM01-10-E	JZSP-CSM21-10-E		
		15 m	JZSP-CSM01-15-E	JZSP-CSM21-15-E		
		20 m	JZSP-CSM01-20-E	JZSP-CSM21-20-E		
		30 m	JZSP-CSM01-30-E	JZSP-CSM21-30-E		
		40 m	JZSP-CSM01-40-E	JZSP-CSM21-40-E		
	50 m	JZSP-CSM01-50-E	JZSP-CSM21-50-E			
	200 to 400 W	3 m	JZSP-CSM02-03-E	JZSP-CSM22-03-E		
		5 m	JZSP-CSM02-05-E	JZSP-CSM22-05-E		
		10 m	JZSP-CSM02-10-E	JZSP-CSM22-10-E		
		15 m	JZSP-CSM02-15-E	JZSP-CSM22-15-E		
		20 m	JZSP-CSM02-20-E	JZSP-CSM22-20-E		
		30 m	JZSP-CSM02-30-E	JZSP-CSM22-30-E		
		40 m	JZSP-CSM02-40-E	JZSP-CSM22-40-E		
	50 m	JZSP-CSM02-50-E	JZSP-CSM22-50-E			
	750 W	3 m	JZSP-CSM03-03-E	JZSP-CSM23-03-E		
		5 m	JZSP-CSM03-05-E	JZSP-CSM23-05-E		
		10 m	JZSP-CSM03-10-E	JZSP-CSM23-10-E		
		15 m	JZSP-CSM03-15-E	JZSP-CSM23-15-E		
		20 m	JZSP-CSM03-20-E	JZSP-CSM23-20-E		
		30 m	JZSP-CSM03-30-E	JZSP-CSM23-30-E		
		40 m	JZSP-CSM03-40-E	JZSP-CSM23-40-E		
	50 m	JZSP-CSM03-50-E	JZSP-CSM23-50-E			

(Cont'd)

# Selecting Cables

Name	Servomotor Rated Output	Length	Order No.		Specifications	Details
			Standard Type	Flexible Type*		
For Servomotor with Holding Brakes	50 to 100 W	3 m	JZSP-CSM11-03-E	JZSP-CSM31-03-E		(2)
		5 m	JZSP-CSM11-05-E	JZSP-CSM31-05-E		
		10 m	JZSP-CSM11-10-E	JZSP-CSM31-10-E		
		15 m	JZSP-CSM11-15-E	JZSP-CSM31-15-E		
		20 m	JZSP-CSM11-20-E	JZSP-CSM31-20-E		
		30 m	JZSP-CSM11-30-E	JZSP-CSM31-30-E		
		40 m	JZSP-CSM11-40-E	JZSP-CSM31-40-E		
	200 to 400 W	3 m	JZSP-CSM12-03-E	JZSP-CSM32-03-E		
		5 m	JZSP-CSM12-05-E	JZSP-CSM32-05-E		
		10 m	JZSP-CSM12-10-E	JZSP-CSM32-10-E		
		15 m	JZSP-CSM12-15-E	JZSP-CSM32-15-E		
		20 m	JZSP-CSM12-20-E	JZSP-CSM32-20-E		
		30 m	JZSP-CSM12-30-E	JZSP-CSM32-30-E		
		40 m	JZSP-CSM12-40-E	JZSP-CSM32-40-E		
	750 W	3 m	JZSP-CSM13-03-E	JZSP-CSM33-03-E		
		5 m	JZSP-CSM13-05-E	JZSP-CSM33-05-E		
		10 m	JZSP-CSM13-10-E	JZSP-CSM33-10-E		
		15 m	JZSP-CSM13-15-E	JZSP-CSM33-15-E		
		20 m	JZSP-CSM13-20-E	JZSP-CSM33-20-E		
		30 m	JZSP-CSM13-30-E	JZSP-CSM33-30-E		
		40 m	JZSP-CSM13-40-E	JZSP-CSM33-40-E		
Servomotor-end Connector Kit	50 to 100 W	JZSP-CSM9-1-E		Crimping Type (A crimp tool is required.)	(3)	
	200 to 400 W	JZSP-CSM9-2-E			(4)	
	750 W	JZSP-CSM9-3-E			(5)	
Cables	50 to 400 W	5 m	JZSP-CSM90-05-E	JZSP-CSM80-05-E		(6)
		10 m	JZSP-CSM90-10-E	JZSP-CSM80-10-E		
		15 m	JZSP-CSM90-15-E	JZSP-CSM80-15-E		
		20 m	JZSP-CSM90-20-E	JZSP-CSM80-20-E		
		30 m	JZSP-CSM90-30-E	JZSP-CSM80-30-E		
		40 m	JZSP-CSM90-40-E	JZSP-CSM80-40-E		
		50 m	JZSP-CSM90-50-E	JZSP-CSM80-50-E		
	750 W	5 m	JZSP-CSM91-05-E	JZSP-CSM81-05-E		(7)
		10 m	JZSP-CSM91-10-E	JZSP-CSM81-10-E		
		15 m	JZSP-CSM91-15-E	JZSP-CSM81-15-E		
		20 m	JZSP-CSM91-20-E	JZSP-CSM81-20-E		
		30 m	JZSP-CSM91-30-E	JZSP-CSM81-30-E		
		40 m	JZSP-CSM91-40-E	JZSP-CSM81-40-E		
		50 m	JZSP-CSM91-50-E	JZSP-CSM81-50-E		

\*: Use flexible cables for movable sections such as robot arms.

## (1) Wiring Specifications for Servomotors without Holding Brakes

SERVOPACK-end Leads		Servomotor-end Connector	
Wire Color	Signal	Signal	Pin No.
Green/yellow	FG	FG	1
Blue	Phase W	Phase W	2
White	Phase V	Phase V	3
Red	Phase U	Phase U	4
		-	5
		-	6

Note: This cable is not shielded.

## (2) Wiring Specifications for Servomotor with Holding Brakes

SERVOPACK-end Leads		Servomotor-end Connector	
Wire Color	Signal	Signal	Pin No.
Green/yellow	FG	FG	1
Blue	Phase W	Phase W	2
White	Phase V	Phase V	3
Red	Phase U	Phase U	4
Black	Brake	Brake	5
Black	Brake	Brake	6

Note: No polarity for connection to a holding brake.  
Note: This cable is not shielded.

## Selecting Cables

### (3) Servomotor-end Connector Kit Specifications: For 50 to 100 W Servomotors

Items		Specifications	External Dimensions mm
Order No.	JZSP-CSM9-1-E (Cables are not included.)		
Applicable Servomotors	SGMJV-A5A, -01A		
Manufacturer	J.S.T. Mfg. Co., Ltd.		
Receptacle	J17-06FMH-7KL-1-CF		
Electrical Contact	SJ1F-01GF-P0.8		
Applicable Wire Size	AWG20 to 24		
Outer Diameter of Insulating Sheath	1.11 dia. to 1.53 dia. mm		
Crimp Tool	Hand tool	YRS-8841	
	Applicator	APLMK SJ1F/M-01-08	
Mounting Screw	M2 Pan-head screw		
Applicable Cable Outer Diameter	7±0.3 dia. mm		

### (4) Servomotor-end Connector Kit Specifications: For 200 to 400 W Servomotors

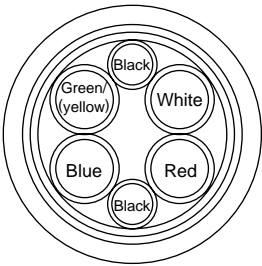
Items		Specifications	External Dimensions mm
Order No.	JZSP-CSM9-2-E (Cables are not included.)		
Applicable Servomotors	SGMJV-02A, -04A		
Manufacturer	J.S.T. Mfg. Co., Ltd.		
Receptacle	J27-06FMH-7KL-1-CF		
Electrical Contact	SJ2F-01GF-P1.0		
Applicable Wire Size	AWG20 to 24		
Outer Diameter of Insulating Sheath	1.11 dia. to 1.53 dia. mm		
Crimp Tool	Hand tool	YRS-8861	
	Applicator	APLMK SJ2F/M-01-08	
Mounting Screw	M2 Pan-head screw		
Applicable Cable Outer Diameter	7±0.3 dia. mm		

### (5) Servomotor-end Connector Kit Specifications: For 750 W Servomotors

Items		Specifications		External Dimensions mm	
Order No.	JZSP-CSM9-3-E (Cables are not included.)				
Applicable Servomotors	SGMJV-08A				
Manufacturer	J.S.T. Mfg. Co., Ltd.				
Receptacle	J37-06FMH-8KL-1-CF				
Cable Type	Standard				
Electrical Contact	SJ3F-41GF-P1.8 (For power terminals)	SJ3F-01GF-P1.8 (For brake terminals)			
Applicable Wire Size	AWG16 to 20	AWG20 to 24			
Outer Diameter of Insulating Sheath	1.53 dia. to 2.5 dia. mm	1.11 dia. to 1.86 dia. mm			
Crimp Tool	Hand tool	YRF-880	YRF-881		
	Applicator	APLMK SF3F/M-41-20	APLMK SF3F/M-01-20		
Mounting Screw	M2.5 Pan-head screw				
Applicable Cable Outer Diameter	8±0.3 dia. mm				

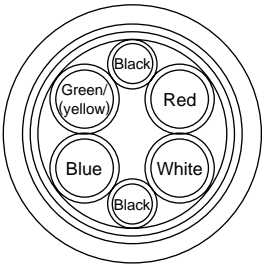
## Selecting Cables

### (6) Cable Specifications: For 50 to 400 W Servomotors

Items	Standard Type	Flexible Type
Order No.*	JZSP-CSM90-□□-E (50 m max.)	JZSP-CSM80-□□-E (50 m max.)
Specifications	UL2517 (Max. operating temperature: 105°C) AWG20×6C For power line: AWG20 (0.52 mm <sup>2</sup> ) Outer diameter of insulating sheath: 1.53 dia. mm For holding brake line: AWG20 (0.52 mm <sup>2</sup> ) Outer diameter of insulating sheath: 1.53 dia. mm	UL2517 (Max. operating temperature: 105°C) AWG22×6C For power line: AWG22 (0.33 mm <sup>2</sup> ) Outer diameter of insulating sheath: 1.37 dia. mm For holding brake line: AWG22 (0.33 mm <sup>2</sup> ) Outer diameter of insulating sheath: 1.37 dia. mm
Finished Dimensions	7±0.3 dia. mm	
Internal Configuration and Lead Color		
Yaskawa Standard Specifications (Standard Length)	Cable length: 5 m, 10 m, 15 m, 20 m, 30 m, 40 m, 50 m	

\*: Specify the cable length in □□ of order no.  
 Example: JZSP-CSM90-05-E (5 m)

### (7) Cable Specifications: For 750 W Servomotors

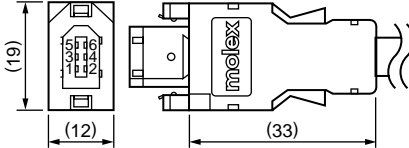
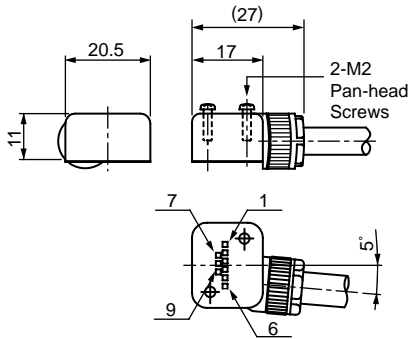
Items	Standard Type	Flexible Type
Order No.*	JZSP-CSM91-□□-E (50 m max.)	JZSP-CSM81-□□-E (50 m max.)
Specifications	UL2517 (Max. operating temperature: 105°C) AWG16×4C, AWG20×2C For power line: AWG16 (1.31 mm <sup>2</sup> ) Outer diameter of insulating sheath: 2.15 dia. mm For holding brake line: AWG20 (0.52 mm <sup>2</sup> ) Outer diameter of insulating sheath: 1.6 dia. mm	UL2517 (Max. operating temperature: 105°C) AWG16×4C, AWG22×2C For power line: AWG16 (1.31 mm <sup>2</sup> ) Outer diameter of insulating sheath: 2.35 dia. mm For holding brake line: AWG22 (0.33 mm <sup>2</sup> ) Outer diameter of insulating sheath: 1.37 dia. mm
Finished Dimensions	8±0.3 dia. mm	
Internal Configuration and Lead Color		
Yaskawa Standard Specifications (Standard Length)	Cable length: 5 m, 10 m, 15 m, 20 m, 30 m, 40 m, 50 m	

\*: Specify the cable length in □□ of order no.  
 Example: JZSP-CSM91-05-E (5 m)



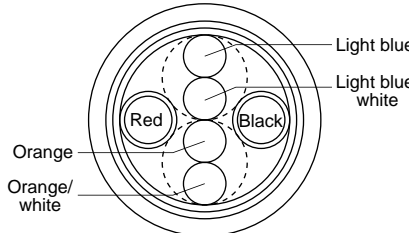
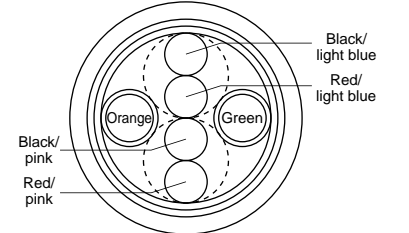
# Selecting Cables

## (3) SERVOPACK-end/Encoder-end Connector Kit Specifications

Items	SERVOPACK-end Connector Kit	Encoder-end Connector Kit
Order No.	JZSP-CMP9-1-E (Cables are not included.)	JZSP-CSP9-2-E (Cables are not included.)
Manufacturer	Molex Japan Co., Ltd.	Molex Japan Co., Ltd.
Specifications	55100-0670 (soldered)	54346-0070 (crimped)* Mounting screw: M2 pan-head screw (x 2) Applicable cable outer diameter of applicable cable: 6.3 dia. to 7.7 dia. mm Applicable wire size: AWG22 to 26 Outer diameter of insulating sheath: 1.05 dia. to 1.4 dia. mm
External Dimensions (Units: mm)		

\*: A crimp tool is required.  
The following crimp tools are applicable for the cables provided by Yaskawa. When using other wire sizes, contact the respective manufacturer for crimp tools.  
Applicable crimp tool for Yaskawa's wire size: Hand Tool Model No. 57175-5000  
Applicator Model No. 57175-3000

## (4) Cable Specifications

Items	Standard Type	Flexible Type
Order No.*	JZSP-CMP09-□□-E	JZSP-CSP39-□□-E
Cable Length	20 m max.	
Specifications	UL20276 (Max. operating temperature: 80°C) AWG22x2C+AWG24x2P AWG22 (0.33 mm <sup>2</sup> ) Outer diameter of insulating sheath: 1.15 dia. mm AWG24 (0.20 mm <sup>2</sup> ) Outer diameter of insulating sheath: 1.09 dia. mm	UL20276 (Max. operating temperature: 80°C) AWG22x2C+AWG24x2P AWG22 (0.33 mm <sup>2</sup> ) Outer diameter of insulating sheath: 1.35 dia. mm AWG24 (0.20 mm <sup>2</sup> ) Outer diameter of insulating sheath: 1.21 dia. mm
Finished Dimensions	6.5 dia. mm	6.8 dia. mm
Internal Configuration and Lead Color		
Yaskawa Standards Specifications (Standard Length)	Cable length: 5 m, 10 m, 15 m, 20 m	

\*: Specify the cable length in □□ of order no.  
Example: JZSP-CSP09-05-E (5 m)

Selecting Cables

● Encoder Cables (Length: 20 m or less)

Name	Length	Order No.		Specifications	Details
		Standard Type	Flexible Type*		
Cable with Connectors (For Incremental Encoder)	3 m	JZSP-CSP01-03-E	JZSP-CSP21-03-E		(1)
	5 m	JZSP-CSP01-05-E	JZSP-CSP21-05-E		
	10 m	JZSP-CSP01-10-E	JZSP-CSP21-10-E		
	15 m	JZSP-CSP01-15-E	JZSP-CSP21-15-E		
	20 m	JZSP-CSP01-20-E	JZSP-CSP21-20-E		
Cable with Connectors (For Absolute Encoder, with a Battery Case)	3 m	JZSP-CSP05-03-E	JZSP-CSP25-03-E		(2)
	5 m	JZSP-CSP05-05-E	JZSP-CSP25-05-E		
	10 m	JZSP-CSP05-10-E	JZSP-CSP25-10-E		
	15 m	JZSP-CSP05-15-E	JZSP-CSP25-15-E		
	20 m	JZSP-CSP05-20-E	JZSP-CSP25-20-E		
SERVOPACK-end Connector Kit		JZSP-CMP9-1-E		Soldered	(3)
Encoder-end Connector Kit		JZSP-CSP9-2-E		Crimping Type (A crimping tool is required)	
Cables	3 m	JZSP-CMP09-03-E	JZSP-CSP39-03-E		(4)
	5 m	JZSP-CMP09-05-E	JZSP-CSP39-05-E		
	10 m	JZSP-CMP09-10-E	JZSP-CSP39-10-E		
	15 m	JZSP-CMP09-15-E	JZSP-CSP39-15-E		
	20 m	JZSP-CMP09-20-E	JZSP-CSP39-20-E		

\*: Use flexible cables for movable sections such as robot arms.

Note: When the battery from the host controller is used for the absolute encoder, no battery case is required. In this case, use a cable for the incremental encoders.

(1) Wiring Specifications for Cable with Connectors  
(For incremental encoder)

• Standard Type

Pin No.	Signal	Pin No.	Wire Color
6	/PS	5	Light blue/white
5	PS	4	Light blue
4	BAT (-)	8	Orange/white
3	BAT (+)	9	Orange
2	PG 0V	3	Black
1	PG 5V	6	Red
Shell	FG	Shell	FG

• Flexible Type

Pin No.	Signal	Pin No.	Wire Color
6	/PS	5	Black/pink
5	PS	4	Red/pink
4	BAT (-)	8	Black/light blue
3	BAT (+)	9	Red/light blue
2	PG 0V	3	Green
1	PG 5V	6	Orange
Shell	FG	Shell	FG

(2) Wiring Specifications for Cable with Connectors  
(For absolute encoder, with a battery case)

• Standard Type

Pin No.	Signal	Pin No.	Wire Color
6	/PS	5	Light blue/white
5	PS	4	Light blue
4	BAT (-)	8	Orange/white
3	BAT (+)	9	Orange
2	PG 0V	3	Black
1	PG 5V	6	Red
Shell	FG	Shell	FG

Battery Case	
Pin No.	Signal
2	BAT (-)
1	BAT (+)

• Flexible Type

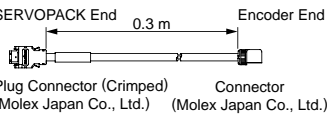
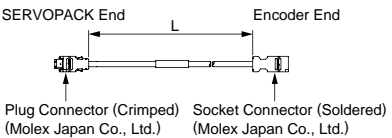
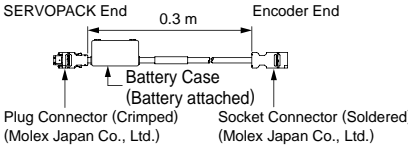

Pin No.	Signal	Pin No.	Wire Color
6	/PS	5	Black/pink
5	PS	4	Red/pink
4	BAT (-)	8	Black/light blue
3	BAT (+)	9	Red/light blue
2	PG 0V	3	Green
1	PG 5V	6	Orange
Shell	FG	Shell	FG

Battery Case	
Pin No.	Signal
2	BAT (-)
1	BAT (+)

Selecting Cables

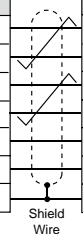
● Relay Encoder Cables (For extending from 30 to 50 m)

Name	Length	Order No.	Specifications	Details
		Standard Type		
① Encoder-end Cables (For incremental and absolute encoder)	0.3 m	JZSP-CSP11-E		(1)
② Cable with Connectors (For incremental and absolute encoder)	30 m	JZSP-UCMP00-30-E		(2)
	40 m	JZSP-UCMP00-40-E		
	50 m	JZSP-UCMP00-50-E		
③ Cable with a Battery Case (Required when an absolute encoder is used.)	0.3 m	JZSP-CSP12-E*		(3)
④ Cables	30 m	JZSP-CMP19-30-E		(4)
	40 m	JZSP-CMP19-40-E		
	50 m	JZSP-CMP19-50-E		

\*: When using an incremental encoder or using an absolute encoder with a battery connected to the host controller, no battery case is required.

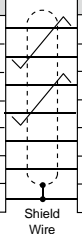
(1) Wiring Specifications for Encoder-end Cable

SERVOPACK End		Encoder (Servomotor) End	
Pin No.	Signal	Pin No.	Wire Color
6	/PS	5	Light blue/white
5	PS	4	Light blue
4	BAT (-)	8	Orange/white
3	BAT (+)	9	Orange
2	PG 0V	3	Black
1	PG 5V	6	Red
Shell	FG	Shell	FG



(2) Wiring Specifications for Cable with Connectors

SERVOPACK End		Encoder (Servomotor) End	
Pin No.	Signal	Pin No.	Wire Color
6	/PS	6	Light blue/white
5	PS	5	Light blue
4	BAT (-)	4	Orange/white
3	BAT (+)	3	Orange
2	PG 0V	2	Black
1	PG 5V	1	Red
Shell	FG	Shell	FG

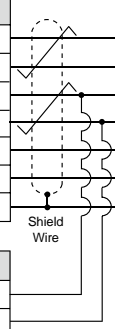


(3) Wiring Specifications for Cable with a Battery Case

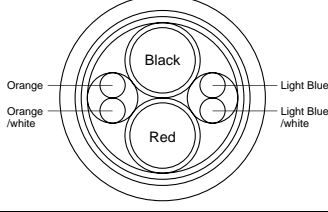
SERVOPACK End		Encoder (Servomotor) End	
Pin No.	Signal	Pin No.	Wire Color
6	/PS	6	Light blue/white
5	PS	5	Light blue
4	BAT (-)	4	Orange/white
3	BAT (+)	3	Orange
2	PG 0V	2	Black
1	PG 5V	1	Red
Shell	FG	Shell	FG

Battery Case	
Pin No.	Signal
2	BAT (-)
1	BAT (+)



(4) Cable Specifications

Item	Standard Type
Order No.*	JZSP-CMP19-□□-E
Cable Length	50 m max.
Specifications	UL20276 (Max. operating temperature: 80°C) AWG16×2C+AWG26×2P AWG16 (1.31 mm <sup>2</sup> ) Outer diameter of insulating sheath: 2.0 dia. mm AWG26 (0.13 mm <sup>2</sup> ) Outer diameter of insulating sheath: 0.91 dia. mm
Finished Dimensions	6.8 dia. mm
Internal Configuration and Lead Colors	
Yaskawa Standard Specifications (Standard Length)	Cable length: 30 m, 40 m, 50 m

\*: Specify the cable length in □□ of order no.  
Example: JZSP-CMP19-30-E (30 m)

Time Rating: Continuous  
 Insulation Resistance: 500 VDC, 10 MΩ min.  
 Ambient Temperature: 0 to 40°C  
 Excitation: Permanent magnet  
 Mounting: Flange-mounted  
 Gear Mechanism: Planetary gear mechanism  
 Thermal Class: B

Withstand Voltage: 1500 VAC for one minute  
 Enclosure: Totally enclosed, self-cooled, IP55  
 (except for shaft opening)  
 Ambient Humidity: 20% to 80% (no condensation)  
 Drive Method: Direct drive  
 Rotation Direction: Counterclockwise (CCW) with forward run  
 reference when viewed from the load side

Servomotor Model SGMJV-	Servomotor					Gear						
	Rated Output W	Rated Speed min <sup>-1</sup>	Max. Speed min <sup>-1</sup>	Rated Torque N·m	Instantaneous Peak Torque N·m	Gear Ratio	Lost Motion arc-min	Rated Torque / Efficiency <sup>*1</sup> N·m / %	Instantaneous Peak Torque N·m	Rated Speed min <sup>-1</sup>	Max. Speed min <sup>-1</sup>	
A5A□AH1□	50	3000	6000	0.159	0.557	1/5	3 max.	0.433/64 <sup>*2</sup>	2.37	600	1200	
A5A□AH2□						1/9		1.12/78				3.78 <sup>*3</sup>
A5A□AHC□						1/21		2.84/85				10.6
A5A□AH7□						1/33		3.68/70				15.8
01A□AH1□	100	3000	6000	0.318	1.11	1/5	3 max.	1.06/78 <sup>*2</sup>	4.96	600	1200	
01A□AHB□						1/11		2.52/72				10.7
01A□AHC□						1/21		5.35/80				20.8
01A□AH7□						1/33		7.35/70				32.7
02A□AH1□	200	3000	6000	0.637	2.23	1/5	3 max.	2.39/75	9.80	600	1200	
02A□AHB□						1/11		5.74/82				22.1
02A□AHC□						1/21		10.2/76				42.1
02A□AH7□						1/33		17.0/81				67.6
04A□AH1□	400	3000	6000	1.27	4.46	1/5	3 max.	5.35/84	20.1	600	1200	
04A□AHB□						1/11		11.5/82				45.1
04A□AHC□						1/21		23.0/86				87.0
04A□AH7□						1/33		34.0/81				135
08A□AH1□	750	3000	6000	2.39	8.36	1/5	3 max.	10.0/84	38.4	600	1200	
08A□AHB□						1/11		23.1/88				86.4
08A□AHC□						1/21		42.1/84				163
08A□AH7□						1/33		69.3/88				259

\*1: Gear output torque is expressed using the following equation.

$$(\text{Gear output torque}) = (\text{Servomotor output torque}) \times \frac{1}{(\text{gear ratio})} \times (\text{efficiency})$$

Gear efficiency depends on operating conditions such as output torque, motor speed, and temperature etc. The values in the table are representative values with rated torque, rated speed, and an ambient temperature of 25°C, and are not guaranteed values.

\*2: When using SGMJV-A5A, -01A servomotors with a gear ratio of 1/5, maintain an 85% max. effective load ratio. The values in the table are provided with consideration given to the effective load ratio.

\*3: Instantaneous Peak torque is 300%

Notes: 1 The gear mounted to our servomotor has not been broken in. Break in the servomotor if necessary. First, run the motor at low speed with no load. If no problems arise, gradually increase the speed and load.

2 The no-load torque for a servomotor with a gear is high immediately after the servomotor starts, and it then decreases and becomes stable a few minutes later. This is a common phenomenon caused by grease being circulated in the gear and not by a faulty gear.

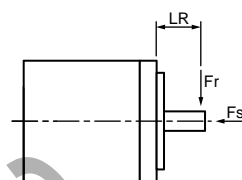
**IMPORTANT** The SERVOPACK speed control range is 5000:1. When using servomotors at extremely low speeds (0.02 min<sup>-1</sup> at gear output shaft), when using servomotors with one pulse feed reference for extended periods and in some other situations, the gear bearing lubrication may be insufficient. That may cause deterioration of bearing or increase the load ratio. Contact your Yaskawa representative if you are using your servomotor under these conditions.

## With Low-backlash Gears

## Ratings and Specifications

## ● Moment of Inertia and Allowable Radial and Thrust Loads

Servomotor Model SGMJV-	Moment of Inertia $\times 10^{-4} \text{ kg}\cdot\text{m}^2$				Servomotors with Low-backlash Gears			Reference Diagram
	Motor + Gear	Gear	Flange Output		Allowable Radial Load (Fr) N	Allowable Thrust Load (Fs) N	LR mm	
			Motor + Gear	Gear				
A5A□AH1□	0.0474	0.006	0.0464	0.005	95	431	37	
A5A□AH2□	0.0444	0.003	0.0444	0.003	113	514	37	
A5A□AHC□	0.0454	0.004	0.0454	0.004	146	663	37	
A5A□AH7□	0.0864	0.045	0.0864	0.045	267	1246	53	
01A□AH1□	0.0725	0.006	0.0715	0.005	95	431	37	
01A□AHB□	0.127	0.060	0.126	0.059	192	895	53	
01A□AHC□	0.117	0.050	0.117	0.050	233	1087	53	
01A□AH7□	0.132	0.065	0.131	0.064	605	2581	75	
02A□AH1□	0.466	0.207	0.460	0.201	152	707	53	
02A□AHB□	0.452	0.193	0.451	0.192	192	895	53	
02A□AHC□	0.749	0.490	0.747	0.488	528	2254	75	
02A□AH7□	0.709	0.450	0.708	0.449	605	2581	75	
04A□AH1□	0.649	0.207	0.643	0.201	152	707	53	
04A□AHB□	1.01	0.570	1.00	0.560	435	1856	75	
04A□AHC□	0.932	0.490	0.930	0.488	528	2254	75	
04A□AH7□	1.06	0.620	1.05	0.610	951	4992	128	
08A□AH1□	2.27	0.700	2.23	0.660	343	1465	75	
08A□AHB□	2.17	0.600	2.16	0.590	435	1856	75	
08A□AHC□	4.57	3.00	4.55	2.98	830	4359	128	
08A□AH7□	4.37	2.80	4.36	2.79	951	4992	128	

**IMPORTANT**

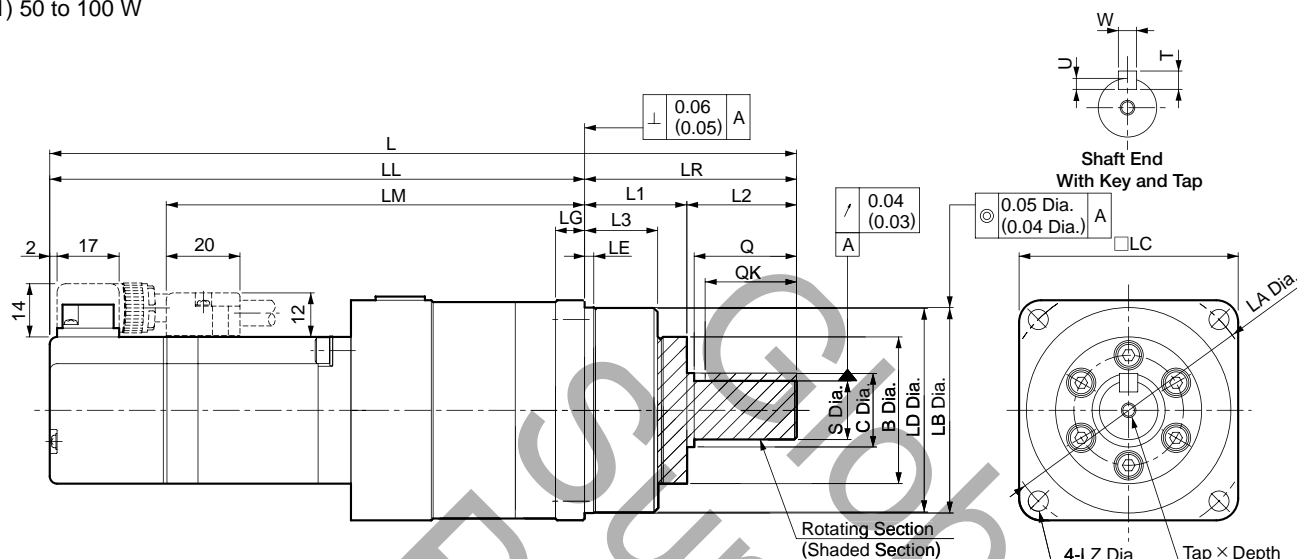
The gear generates the loss at gear mechanism and oil seal. The loss varies with torque and motor speed conditions. The temperature rise depends on heating conditions. Always check the actual gear and motor temperature. If the temperature is high, take the measures shown below.

- Decrease the load ratio.
- Change the heating conditions.
- Cool the motor with a cooling fan etc.

Rated Output W	Heat Sink Size			
	1/5	1/9 or 1/11	1/21	1/33
50	A			
100	A			
200	A			
400	B			
750	C			

A: 250 mm  $\times$  250 mm  $\times$  6 mm, aluminum  
 B: 300 mm  $\times$  300 mm  $\times$  12 mm, aluminum  
 C: 350 mm  $\times$  350 mm  $\times$  12 mm, aluminum

(1) 50 to 100 W



Model SGMJV-	Gear Ratio	Flange Face Dimensions											
		L	LL	LM	LR	LE	LG	B	LD	LB	LC	LA	LZ
A5A□AH1□1 (A5A□AH1□C)	1/5	150.5 (195.5)	108.5 (153.5)	76.5									
A5A□AH2□1 (A5A□AH2□C)	1/9				42	2.2	5	29	39.5	40 <sup>0</sup> <sub>-0.025</sub>	40	46	3.4
A5A□AHC□1 (A5A□AHC□C)	1/21	159.5 (204.5)	117.5 (162.5)	85.5									
A5A□AH7□1 (A5A□AH7□C)	1/33	191 (236)	133 (178)	101	58	2.5	8	40	55.5	56 <sup>0</sup> <sub>-0.030</sub>	60	70	5.5
01A□AH1□1 (01A□AH1□C)	1/5	164 (209)	122 (167)	90	42	2.2	5	29	39.5	40 <sup>0</sup> <sub>-0.025</sub>	40	46	3.4
01A□AHB□1 (01A□AHB□C)	1/11	204.5 (249.5)	146.5 (191.5)	114.5	58	2.5	8	40	55.5	56 <sup>0</sup> <sub>-0.030</sub>	60	70	5.5
01A□AHC□1 (01A□AHC□C)	1/21												
01A□AH7□1 (01A□AH7□C)	1/33	229 (274)	149 (194)	117	80	7.5	10	59	84	85 <sup>0</sup> <sub>-0.035</sub>	90	105	9

Model SGMJV-	Flange Face Dimensions			Q	C	S	Tap x Depth	Key Dimensions				Approx. Mass kg
	L1	L2	L3					QK	U	W	T	
A5A□AH1□1 (A5A□AH1□C)	22	20	14.6	-	-	10 <sup>0</sup> <sub>-0.015</sub>	M3x6L	15	2.5	4	4	0.6 (0.9)
A5A□AH2□1 (A5A□AH2□C)												
A5A□AHC□1 (A5A□AHC□C)												
A5A□AH7□1 (A5A□AH7□C)	28	30	20	28	20	16 <sup>0</sup> <sub>-0.018</sub>	M4x8L	25	3	5	5	1.3 (1.6)
01A□AH1□1 (01A□AH1□C)	22	20	14.6	-	-	10 <sup>0</sup> <sub>-0.015</sub>	M3x6L	15	2.5	4	4	0.7 (1.0)
01A□AHB□1 (01A□AHB□C)	28	30	20	28	20	16 <sup>0</sup> <sub>-0.018</sub>	M4x8L	25	3	5	5	1.4 (1.7)
01A□AHC□1 (01A□AHC□C)												
01A□AH7□1 (01A□AH7□C)	36	44	26	42	32	25 <sup>0</sup> <sub>-0.021</sub>	M6x12L	36	4	8	7	2.8 (3.1)

\*: The asterisk (\*) describes the values of the 8th digit of the model designation, "shaft end code 6 (straight with key and tap)." If a key or tap is not necessary, order a servomotor with "shaft end code 2 (without key and tap)."

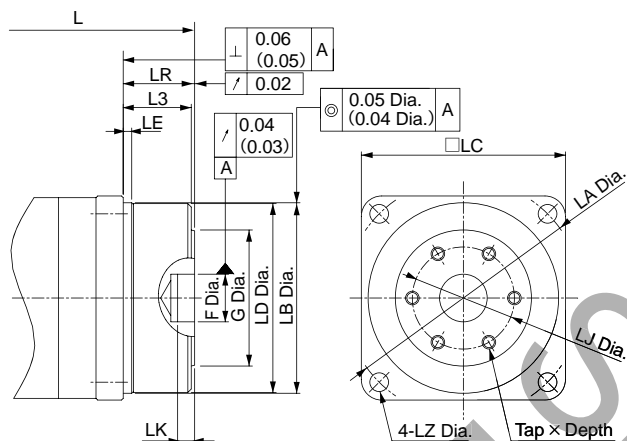
Notes: 1 The models and values in parentheses are for servomotors with holding brakes.

2 Please note that gear dimensions are different from those of Σ-I, Σ-II, and Σ-III series.

With Low-backlash Gears

External Dimensions Units: mm

● Flange Output Face

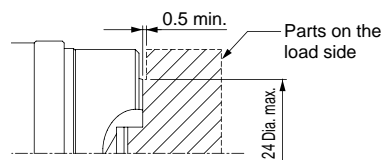


Model SGMJV-	Gear Ratio	L	LR	LJ	F	G	LK	No. of pcs Tap x Depth	Approx. Mass kg
A5A□AH101 (A5A□AH10C)	1/5	123.5 (168.5)							
A5A□AH201 (A5A□AH20C)	1/9	123.5 (168.5)	15	18	$5^{+0.012}_0$	24	3	3-M4×6L	0.6 (0.9)
A5A□AHC01 (A5A□AHC0C)	1/21	132.5 (177.5)							
A5A□AH701 (A5A□AH70C)	1/33	154 (199)	21	30	$14^{+0.018}_0$	40	5	6-M4×7L	1.2 (1.5)
01A□AH101 (01A□AH10C)	1/5	137 (182)	15	18	$5^{+0.012}_0$	24	3	3-M4×6L	0.7 (1.0)
01A□AHB01 (01A□AHB0C)	1/11	167.5 (212.5)							
01A□AHC01 (01A□AHC0C)	1/21	167.5 (212.5)	21	30	$14^{+0.018}_0$	40	5	3-M4×7L	1.3 (1.6)
01A□AH701 (01A□AH70C)	1/33	176 (221)	27	45	$24^{+0.021}_0$	59	5	6-M6×10L	2.4 (2.7)

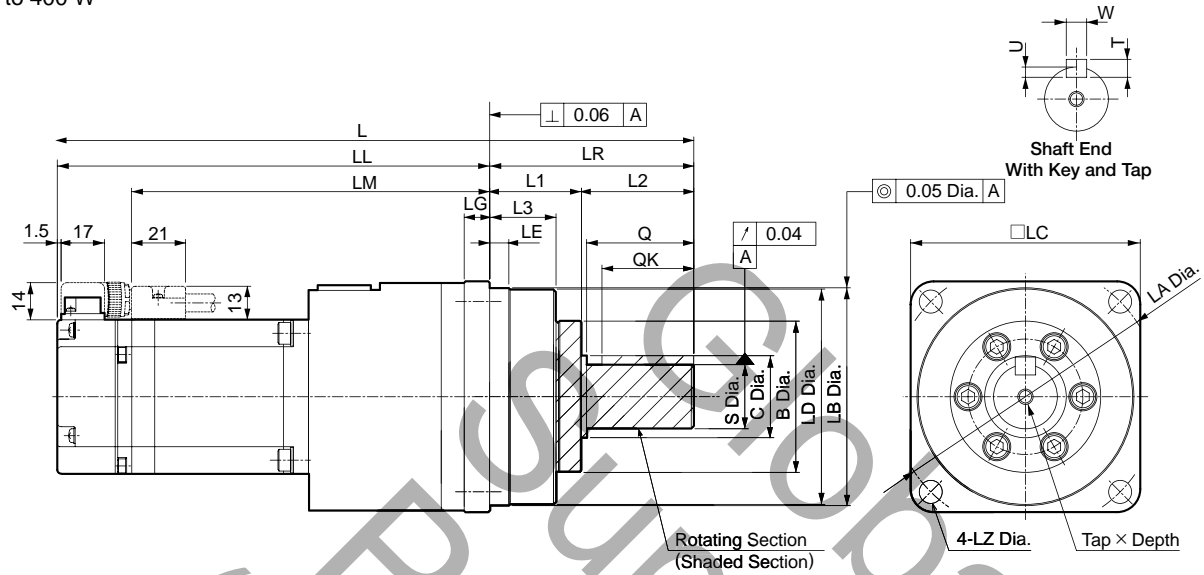
Notes: 1 The models and values in parentheses are for servomotors with holding brakes.  
 2 Dimensions not found in the table above are the same as those in the table on the previous page.

**IMPORTANT**

Regarding the flange output type shaft end, when the flange "LC" is 40 mm, we recommend designing a servomotor with the dimensions shown in the diagram on the right, in order to secure the gap between the gear oil seal and the parts on the load side.



(2) 200 to 400 W



Model SGMJV-	Gear Ratio	L	LL	LM	Flange Face Dimensions								
					LR	LE	LG	B	LD	LB	LC	LA	LZ
02A□AH1□1 (02A□AH1□C)	1/5	202 (242)	144 (184)	115	58	2.5	8	40	55.5	56 <sup>0</sup> <sub>-0.030</sub>	60	70	5.5
02A□AHB□1 (02A□AHB□C)	1/11												
02A□AHC□1 (02A□AHC□C)	1/21	231 (271)	151 (191)	122	80	7.5	10	59	84	85 <sup>0</sup> <sub>-0.035</sub>	90	105	9
02A□AH7□1 (02A□AH7□C)	1/33												
04A□AH1□1 (04A□AH1□C)	1/5	220.5 (260.5)	162.5 (202.5)	133.5	58	2.5	8	40	55.5	56 <sup>0</sup> <sub>-0.030</sub>	60	70	5.5
04A□AHB□1 (04A□AHB□C)	1/11	249.5 (289.5)	169.5 (209.5)	140.5	80	7.5	10	59	84	85 <sup>0</sup> <sub>-0.035</sub>	90	105	9
04A□AHC□1 (04A□AHC□C)	1/21												
04A□AH7□1 (04A□AH7□C)	1/33	335.5 (375.5)	202.5 (242.5)	173.5	133	12.5	13	84	114	115 <sup>0</sup> <sub>-0.035</sub>	120	135	11

Model SGMJV-	Flange Face Dimensions			Q	C	S	Tap x Depth	Key Dimensions				Approx. Mass kg
	L1	L2	L3					QK	U	W	T	
02A□AH1□1 (02A□AH1□C)	28	30	20	28	20	16 <sup>0</sup> <sub>-0.018</sub>	M4 x 8L	25	3	5	5	1.9 (2.5)
02A□AHB□1 (02A□AHB□C)												2.0 (2.6)
02A□AHC□1 (02A□AHC□C)	36	44	26	42	32	25 <sup>0</sup> <sub>-0.021</sub>	M6 x 12L	36	4	8	7	3.8 (4.4)
02A□AH7□1 (02A□AH7□C)												
04A□AH1□1 (04A□AH1□C)	28	30	20	28	20	16 <sup>0</sup> <sub>-0.018</sub>	M4 x 8L	25	3	5	5	2.3 (2.9)
04A□AHB□1 (04A□AHB□C)												
04A□AHC□1 (04A□AHC□C)	36	44	26	42	32	25 <sup>0</sup> <sub>-0.021</sub>	M6 x 12L	36	4	8	7	4.2 (4.8)
04A□AH7□1 (04A□AH7□C)												
04A□AH7□1 (04A□AH7□C)	48	85	33	82	44	40 <sup>0</sup> <sub>-0.025</sub>	M10 x 20L	70	5	12	8	8.8 (9.4)

\*: The asterisk (\*) describes the values of the 8th digit of the model designation, "shaft end code 6 (straight with key and tap)." If a key or tap is not necessary, order a servomotor with "shaft end code 2 (without key and tap)."

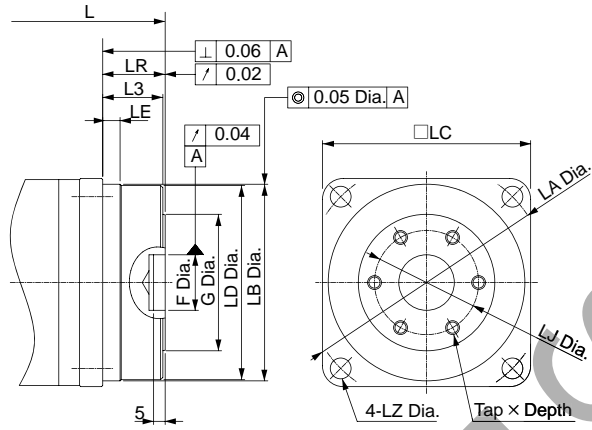
Notes: 1 The models and values in parentheses are for servomotors with holding brakes.

2 Please note that gear dimensions are different from those of Σ-I, Σ-II, and Σ-III series.



**With Low-backlash Gears** External Dimensions Units: mm

● Flange Output Face

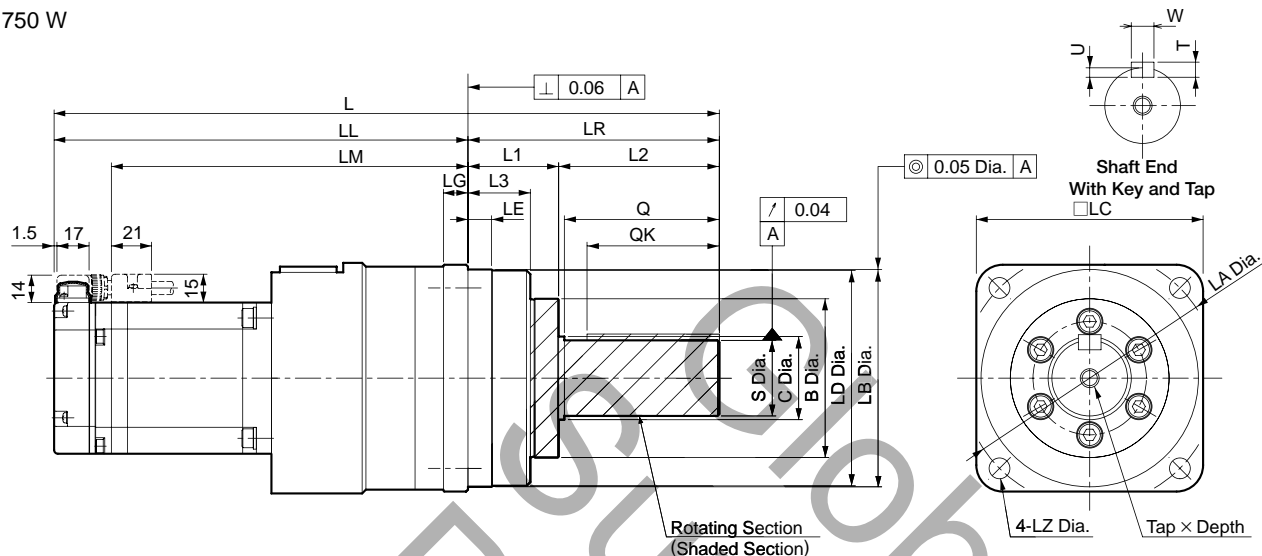


Model SGMJV-	Gear Ratio	L	LR	LJ	F	G	No. of pcs Tap x Depth	Approx. Mass kg
02A□AH101 (02A□AH10C)	1/5	165 (205)	21	30	14 <sup>+0.018</sup> <sub>0</sub>	40	6-M4 x 7L	1.8 (2.4)
02A□AHB01 (02A□AHB0C)	1/11							1.9 (2.5)
02A□AHC01 (02A□AHC0C)	1/21	178 (218)	27	45	24 <sup>+0.021</sup> <sub>0</sub>	59	6-M6 x 10L	3.4 (4.0)
02A□AH701 (02A□AH70C)	1/33							
04A□AH101 (04A□AH10C)	1/5	183.5 (223.5)	21	30	14 <sup>+0.018</sup> <sub>0</sub>	40	6-M4 x 7L	2.2 (2.8)
04A□AHB01 (04A□AHB0C)	1/11	196.5 (236.5)	27	45	24 <sup>+0.021</sup> <sub>0</sub>	59	6-M6 x 10L	3.8 (4.4)
04A□AHC01 (04A□AHC0C)	1/21							
04A□AH701 (04A□AH70C)	1/33	237.5 (277.5)	35	60	32 <sup>+0.025</sup> <sub>0</sub>	84	6-M8 x 12L	7.4 (8.0)

Notes: 1 The models and values in parentheses are for servomotors with holding brakes.  
 2 Dimensions not found in the table above are the same as those in the table on the previous page.

Rotary Servomotors

(3) 750 W



Model SGMJV-	Gear Ratio	L	LL	LM	Flange Face Dimensions								
					LR	LE	LG	B	LD	LB	LC	LA	LZ
08A□AH1□1 (08A□AH1□C)	1/5	273 (318)	193 (238)	163	80	7.5	10	59	84	85 <sup>0</sup> <sub>-0.035</sub>	90	105	9
08A□AHB□1 (08A□AHB□C)	1/11												
08A□AHC□1 (08A□AHC□C)	1/21	352 (397)	219 (264)	189	133	12.5	13	84	114	115 <sup>0</sup> <sub>-0.035</sub>	120	135	11
08A□AH7□1 (08A□AH7□C)	1/33												

Model SGMJV-	Flange Face Dimensions			Q	C	S	Tap × Depth	Key Dimensions				Approx. Mass kg
	L1	L2	L3					QK	U	W	T	
08A□AH1□1 (08A□AH1□C)	36	44	26	42	32	25 <sup>0</sup> <sub>-0.021</sub>	M6×12L	36	4	8	7	5.6 (6.5)
08A□AHB□1 (08A□AHB□C)												5.8 (6.7)
08A□AHC□1 (08A□AHC□C)	48	85	33	82	44	40 <sup>0</sup> <sub>-0.025</sub>	M10×20L	70	5	12	8	10.5 (11.4)
08A□AH7□1 (08A□AH7□C)												

\*: The asterisk (\*) describes the values of the 8th digit of the model designation, "shaft end code 6 (straight with key and tap)." If a key or tap is not necessary, order a servomotor with "shaft end code 2 (without key and tap)."

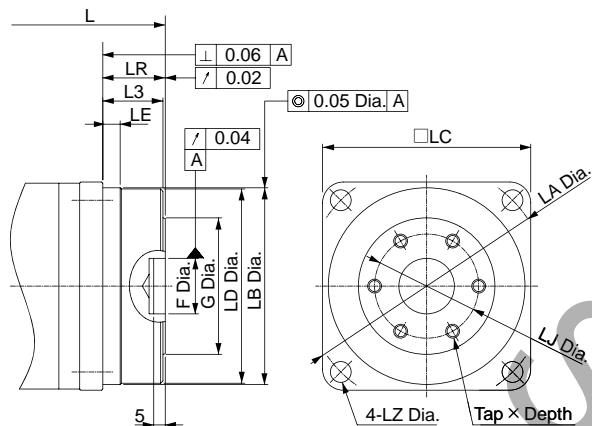
Notes: 1 The models and values in parentheses are for servomotors with holding brakes.

2 Please note that gear dimensions are different from those of Σ-I, Σ-II, and Σ-III series.

## With Low-backlash Gears

## External Dimensions Units: mm

## ● Flange Output Face



Model SGMJV-	Gear Ratio	L	LR	LJ	F	G	No. of pcs Tap x Depth	Approx. Mass kg
08A□AH101 (A8A□AH10C)	1/5	220 (265)	27	45	24 <sup>+0.021</sup> <sub>0</sub>	59	6-M6 x 10L	5.2 (6.1)
08A□AHB01 (A8A□AHB0C)	1/11							5.4 (6.3)
08A□AHC01 (A8A□AHC0C)	1/21	254 (299)	35	60	32 <sup>+0.025</sup> <sub>0</sub>	84	6-M8 x 12L	9.1 (10.0)
08A□AH701 (A8A□AH70C)	1/33							

Notes: 1 The models and values in parentheses are for servomotors with holding brakes.

2 Dimensions not found in the table above are the same as those in the table on the previous page.

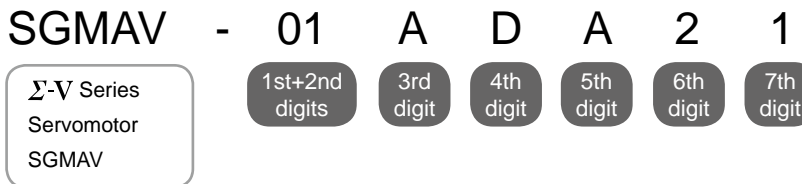
# Rotary Servomotors

# SGMAV



## Model Designations

### ● Without Gears



#### 1st+2nd digits Rated Output

Code	Specifications
A5	50 W
01	100 W
C2	150 W
02	200 W
04	400 W
06	550 W
08	750 W
10	1.0 kW

#### 5th digit Design Revision Order

Code	Specifications
A	Standard

#### 7th digit Options

Code	Specifications
1	Without options
C	With holding brake (24 VDC)
E	With oil seal and holding brake (24 VDC)
S	With oil seal

#### 6th digit Shaft End

Code	Specifications
2	Straight without key
6	Straight with key and tap
B	With two flat seats

#### 3rd digit Power Supply Voltage

Code	Specifications
A	200 VAC

#### 4th digit Serial Encoder

Code	Specifications
3	20-bit absolute *
D	20-bit incremental

NOTE: Shaded items are non-stock.

\*: When exporting the servomotors themselves, export restrictions may apply. Follow each country's export restrictions.

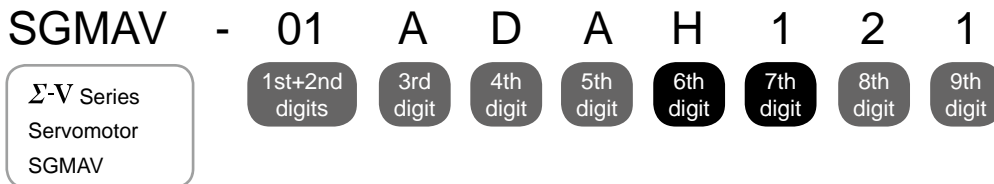
## Features

- Super high power rate (Extremely low inertia)
- Instantaneous peak torque (300% of rated torque)
- Mounted high-resolution serial encoder:  
20 bits
- Maximum speed: 6,000 min<sup>-1</sup>
- Wide selection: 50 W to 1.0 kW capacity, holding brake and gear options

## Application Examples

- Semiconductor equipment
- Chip mounters
- PCB drilling stations
- Robots
- Material handling machines
- Food processing equipment

- With Gears (Global Support - Refer to Stock Status Definitions - page viii)



**1st+2nd digits** Rated Output

Code	Specifications
A5	50 W
01	100 W
C2	150 W
02	200 W
04	400 W
06	550 W
08	750 W
10	1.0 kW

**3rd digit** Power Supply Voltage

Code	Specifications
A	200 VAC

**4th digit** Serial Encoder

Code	Specifications
3	20-bit absolute (standard)*
D	20-bit incremental (standard)

**5th digit** Design Revision Order

Code	Specifications
A	Standard

**6th digit** Gear Type

Code	Specifications
H	HDS planetary low-backlash gear

**7th digit** Gear Ratio

Code	Specifications
B	1/11 (Not available: 50 W)
C	1/21
1	1/5
2	1/9 (Only 50 W)
7	1/33

**8th digit** Shaft End

Code	Specifications
0	Flange output
2	Straight without key
6	Straight with key and tap

**9th digit** Options

Code	Specifications
1	Without options
C	With holding brake (24 VDC)

\*: When exporting the servomotors themselves, export restrictions may apply. Follow each country's export restrictions.

# Ratings and Specifications

Time Rating: Continuous  
 Vibration Class: V15  
 Insulation Resistance: 500 VDC, 10 MΩ min.  
 Ambient Temperature: 0 to 40°C  
 Excitation: Permanent magnet  
 Mounting: Flange-mounted  
 Thermal Class: B

Withstand Voltage: 1500 VAC for one minute  
 Enclosure: Totally enclosed, self-cooled, IP65  
 (except for shaft opening)  
 Ambient Humidity: 20% to 80% (no condensation)  
 Drive Method: Direct drive  
 Rotation Direction: Counterclockwise (CCW) with forward run  
 reference when viewed from the load side

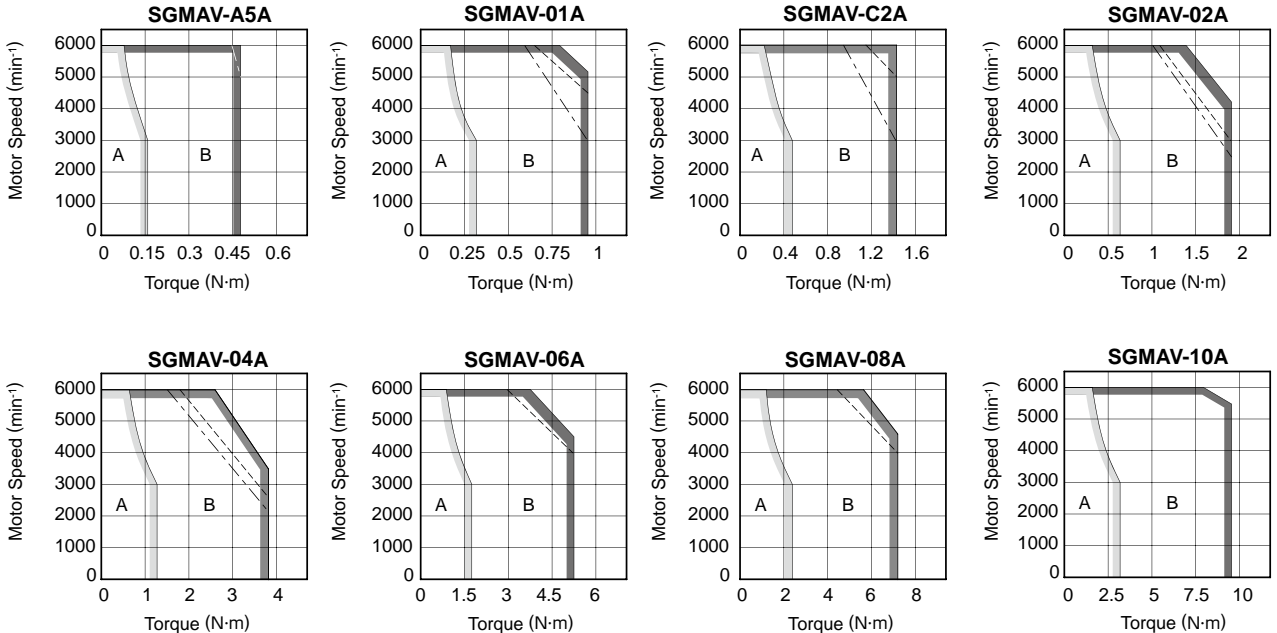
Voltage		200 V							
Servomotor Model: SGM <sub>AV</sub> -□□□□		A5A	01A	C2A	02A	04A	06A	08A	10A
Rated Output <sup>*1</sup>	W	50	100	150	200	400	550	750	1000
Rated Torque <sup>*1, *2</sup>	N·m	0.159	0.318	0.477	0.637	1.27	1.75	2.39	3.18
Instantaneous Peak Torque <sup>*1</sup>	N·m	0.477	0.955	1.43	1.91	3.82	5.25	7.16	9.55
Rated Current <sup>*1</sup>	A <sub>rms</sub>	0.66	0.91	1.3	1.5	2.6	3.8	5.3	7.4
Instantaneous Max. Current <sup>*1</sup>	A <sub>rms</sub>	2.1	2.8	4.2	5.3	8.5	12.2	16.6	23.9
Rated Speed <sup>*1</sup>	min <sup>-1</sup>	3000							
Max. Speed <sup>*1</sup>	min <sup>-1</sup>	6000							
Torque Constant	N·m/A <sub>rms</sub>	0.265	0.375	0.381	0.450	0.539	0.496	0.487	0.467
Rotor Moment of Inertia	×10 <sup>-4</sup> kg·m <sup>2</sup>	0.0242 (0.0389)	0.0380 (0.0527)	0.0531 (0.0678)	0.116 (0.180)	0.190 (0.254)	0.326 (0.403)	0.769 (0.940)	1.20 (1.41)
Rated Power Rate <sup>*1</sup>	kW/s	10.4	26.6	42.8	35.0	84.9	93.9	74.1	84.3
Rated Angular Acceleration <sup>*1</sup>	rad/s <sup>2</sup>	65800	83800	89900	54900	67000	53700	31000	26500
Applicable SERVOPACK	SGDV-□□□□□	R70□	R90□	1R6A,2R1F		2R8□	5R5A	5R5A	120A

\*1: These items and torque-motor speed characteristics quoted in combination with an SGD<sub>V</sub> SERVOPACK are at an armature winding temperature of 100°C. Other values quoted are at 20°C.

\*2: Rated torques are continuous allowable torque values at 40°C with an aluminum heat sink of the following dimensions attached.  
 SGM<sub>AV</sub>-A5A, -01A: 200 mm×200 mm×6 mm  
 SGM<sub>AV</sub>-C2A, -02A, -04A, -06A, -08A: 250 mm×250 mm×6 mm  
 SGM<sub>AV</sub>-10A: 300 mm×300 mm×12 mm

Note: The values in parentheses are for servomotors with holding brakes.

## ● Torque-Motor Speed Characteristics A: Continuous Duty Zone B: Intermittent Duty Zone<sup>(See Note3)</sup>



Notes: 1 The solid, dotted, and dashed-dotted lines of the intermittent duty zone indicate the characteristics when a servomotor runs with the following combinations:

- The solid line: With a three-phase 200 V or a single-phase 230 V SERVOPACK
- The dotted line: With a single-phase 200 V SERVOPACK
- The dashed-dotted line: With a single-phase 100 V SERVOPACK

An SGM<sub>AV</sub>-A5A servomotor has the same characteristics in combination with three-phase 200 V and single-phase 200 V SERVOPACKS.

- 2 The characteristics of the intermittent duty zone differ depending on the supply voltages.
- 3 When the effective torque during intermittent duty is within the rated torque, the servomotor can be used within the intermittent duty zone.
- 4 When the main circuit cable length exceeds 20 m, note that the intermittent duty zone of the Torque-Motor Speed Characteristics will shrink as the line-to-line voltage drops.

## Ratings and Specifications

### ● Derating Rate for Servomotor Fitted with an Oil Seal

When a motor is fitted with an oil seal, use the following derating rate because of the higher friction torque.

Servomotor Model SGMV-	A5A	01A	C2A	02A	04A	06A	08A	10A
Derating Rate %	80	90			95			

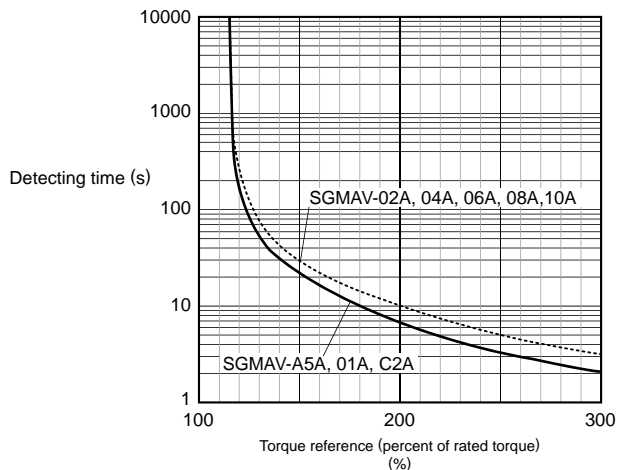
### ● Holding Brake Electrical Specifications

Holding Brake Rated Voltage	Servomotor Model	Servomotor Rated Output W	Holding Brake Specifications					
			Capacity W	Holding Torque N·m	Coil Resistance Ω(at 20°C)	Rated Current A(at 20°C)	Brake Release Time ms	Brake Operation Time ms
24 VDC <sup>+10%</sup> <sub>0</sub>	SGMAV-A5A	50	5.5	0.159	103	0.23	60	100
	SGMAV-01A	100		0.318				
	SGMAV-C2A	150	5.1	0.477	114	0.21	60	100
	SGMAV-02A	200	6	0.637	97.4	0.25	60	100
	SGMAV-04A	400		1.27				
	SGMAV-06A	550	8	1.75	74.3	0.32	80	100
	SGMAV-08A	750	6.5	2.39	87.7	0.27	80	100
	SGMAV-10A	1000	7	3.18	82.8	0.29	80	100

- Notes: 1 The holding brake is only used to hold the load and cannot be used to stop the servomotor.  
 2 The holding brake open time and holding brake operation time vary depending on which discharge circuit is used. Make sure holding brake open time and holding brake operation time are correct for your servomotor.  
 3 A 24-VDC power supply is provided by customers.

### ● Overload Characteristics

The overload detection level is set under hot start conditions at a servomotor ambient temperature of 40°C.



Note: Overload characteristics shown above do not guarantee continuous duty of 100% or more output. Use a servomotor with effective torque within the continuous duty zone of Torque-Motor Speed Characteristics.

## Ratings and Specifications

### ● Allowable Load Moment of Inertia at the Motor Shaft

The rotor moment of inertia ratio is the value for a servomotor without a gear and a brake.

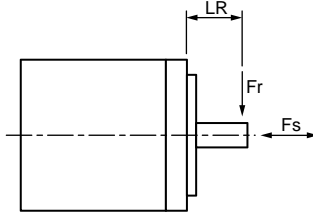
Servomotor Model		Servomotor Rated Output	Allowable Load Moment of Inertia (Rotor Moment of Inertia Ratio)
SGMAV-	A5A, 01A, C2A, 02A	50 to 200 W	30 times
	04A, 06A, 08A	400 to 750 W	20 times
	10A	1000 W	10 times

### ● Load Moment of Inertia

- The larger the load moment of inertia, the worse the movement response.
- The allowable load moment of inertia ( $J_L$ ) depends on motor capacity, as shown above. This value is provided strictly as a guideline and results may vary depending on servomotor drive conditions.
- Use the AC servo drive capacity selection program SigmaJunmaSize+ to check the operation conditions. The program can be downloaded for free from our web site (<http://www.e-mechatronics.com/>).
- An overvoltage alarm (A.400) is likely to occur during deceleration if the load moment of inertia exceeds the allowable load moment of inertia. SERVOPACKs with a built-in regenerative resistor may generate a regenerative overload alarm (A.320). Take one of the following steps if this occurs.
  - Reduce the torque limit.
  - Reduce the deceleration rate.
  - Reduce the maximum speed.
  - Install an external regenerative resistor if the alarm cannot be cleared using the steps above. Refer to Regenerative Resistors on page 339.
- Regenerative resistors are not built into SERVOPACKs for 400 W motors or less.
- External regenerative resistors are required when this condition is exceeded or if the allowable loss capacity (W) of the built-in regenerative resistor is exceeded due to regenerative drive conditions when a regenerative resistor is already built in.

### ● Allowable Radial and Thrust Loads

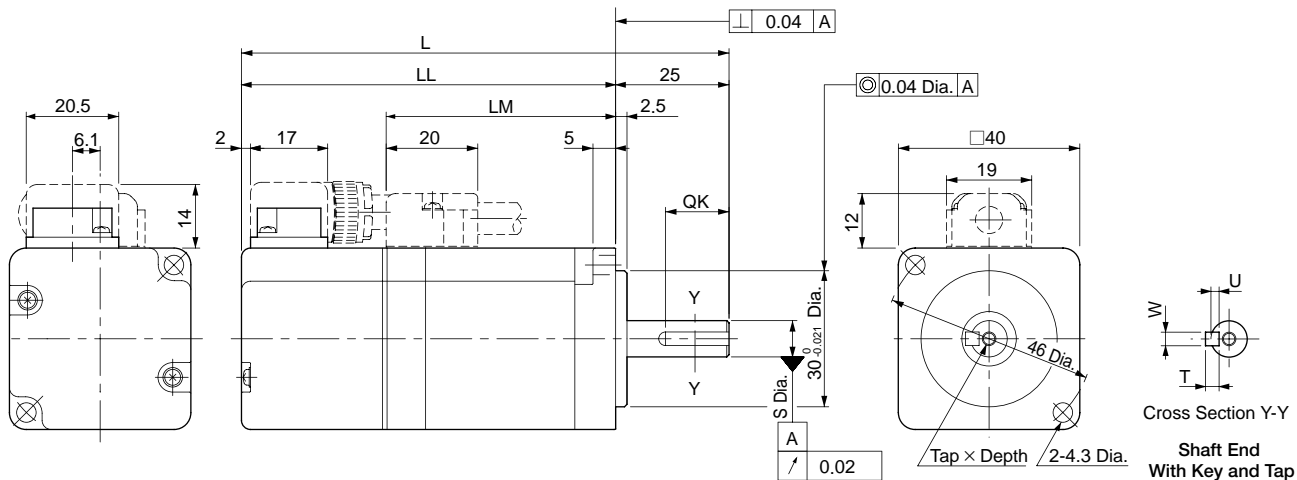
Design the mechanical system so thrust and radial loads applied to the servomotor shaft end during operation fall within the ranges shown in the table.

Servomotor Model		Allowable Radial Load ( $F_r$ ) N	Allowable Thrust Load ( $F_s$ ) N	LR mm	Reference Diagram
SGMAV-	A5A	78	54	20	
	01A				
	C2A				
	02A	245	74	25	
	04A				
	06A				
	08A	392	147	35	
	10A				



## External Dimensions Units: mm

(1) 50 to 150 W



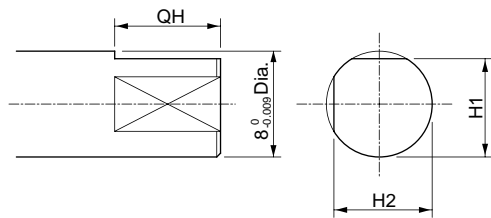
Model SGMAV-	L	LL	LM	S	Tap x Depth	Key Dimensions				Approx. Mass kg
						QK	U	W	T	
A5A□A21 (A5A□A2C)	95.5 (140.5)	70.5 (115.5)	38.5	8 <sup>0</sup> <sub>-0.009</sub> *	No tap	No key				0.3 (0.6)
M3 x 6L					14	1.8	3	3		
01A□A21 (01A□A2C)	107.5 (152.5)	82.5 (127.5)	50.5	8 <sup>0</sup> <sub>-0.009</sub>	No tap	No key				0.4 (0.7)
M3 x 6L					14	1.8	3	3		
C2A□A21 (C2A□A2C)	119.5 (164.5)	94.5 (139.5)	62.5	8 <sup>0</sup> <sub>-0.009</sub>	No tap	No key				0.5 (0.8)
M3 x 6L					14	1.8	3	3		

Note: The models and values in parentheses are for servomotors with holding brakes.

\*: When you need the same shaft diameter as the conventional servomotors, contact your Yaskawa representative.

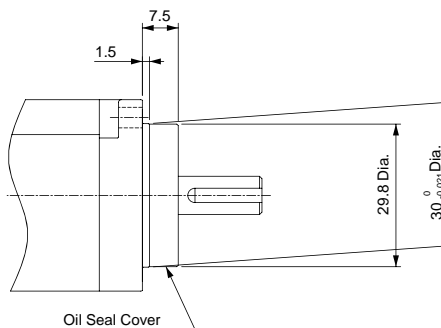
### Shaft End and Other Options

● With Two Flat Seats



Model SGMAV-	Dimensions of Servomotor with Two Flat Seats		
	QH	H1	H2
A5A□AB□	15	7.5	7.5
01A□AB□			
C2A□AB□			

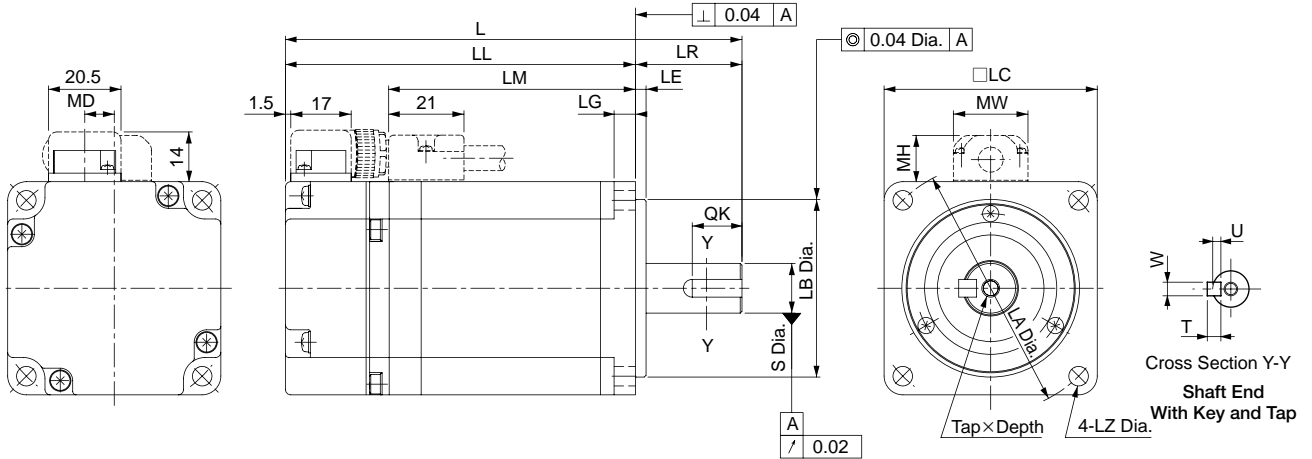
● With an Oil Seal



Note: The 7th digit of the model designation is "S" or "E."  
The key dimensions are the same as those in the table above.

# External Dimensions Units: mm

(2) 200 W to 1.0 kW



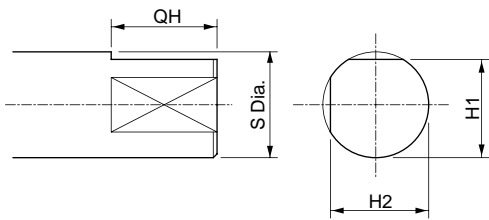
Model SGMAV-	L	LL	LM	Flange Face Dimensions								S	Tap x Depth	Key Dimensions				MD	MW	MH	Approx. Mass kg
				LR	LE	LG	LC	LA	LB	LZ	QK			U	W	T					
02A□A21 (02A□A2C)	110 (150)	80 (120)	51	30	3	6	60	70	50 <sup>0</sup> <sub>-0.025</sub>	5.5	14 <sup>0</sup> <sub>-0.011</sub>	No tap	No key				8.5	21	13	0.9 (1.5)	
02A□A61 (02A□A6C)												M5 x 8L	14	3	5	5					
04A□A21 (04A□A2C)	128.5 (168.5)	98.5 (138.5)	69.5	30	3	6	60	70	50 <sup>0</sup> <sub>-0.025</sub>	5.5	14 <sup>0</sup> <sub>-0.011</sub>	No tap	No key				8.5	21	13	1.2 (1.8)	
04A□A61 (04A□A6C)												M5 x 8L	14	3	5	5					
06A□A21 (06A□A2C)	154.5 (200.5)	124.5 (170.5)	95.5	30	3	6	60	70	50 <sup>0</sup> <sub>-0.025</sub>	5.5	14 <sup>0</sup> <sub>-0.011</sub>	No tap	No key				8.5	21	13	1.7 (2.4)	
06A□A61 (06A□A6C)												M5 x 8L	14	3	5	5					
08A□A21 (08A□A2C)	155 (200)	115 (160)	85	40	3	8	80	90	70 <sup>0</sup> <sub>-0.030</sub>	7	19 <sup>0</sup> <sub>-0.013</sub> *	No tap	No key				13.8	27	15	2.6 (3.2)	
08A□A61 (08A□A6C)												M6 x 10L	22	3.5	6	6					
10A□A21 (10A□A2C)	185 (235)	145 (195)	115	40	3	8	80	90	70 <sup>0</sup> <sub>-0.030</sub>	7	19 <sup>0</sup> <sub>-0.013</sub> *	No tap	No key				13.8	27	15	3.6 (4.6)	
10A□A61 (10A□A6C)												M6 x 10L	22	3.5	6	6					

Note: The models and values in parentheses are for servomotors with holding brakes.

\*: When you need the same shaft diameter as the conventional servomotors, contact your Yaskawa representative.

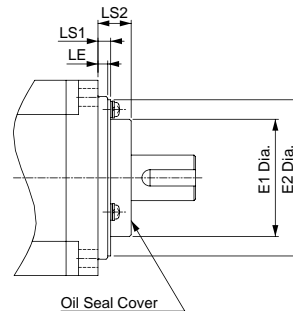
## Shaft End and Other Options

### ● With Two Flat Seats



Model SGMAV-	Dimensions of Servomotor with Two Flat Seats			
	QH	S	H1	H2
02A□AB□	14	14 <sup>0</sup> <sub>-0.011</sub>	13	13
04A□AB□				
06A□AB□				
08A□AB□	22	19 <sup>0</sup> <sub>-0.013</sub>	18	18
10A□AB□				

### ● With an Oil Seal



Model SGMAV-	Dimensions of Servomotor with an Oil Seal			
	E1	E2	LS1	LS2
02A, 04A, 06A	36	48	4	10
08A, 10A	49	66	6	11

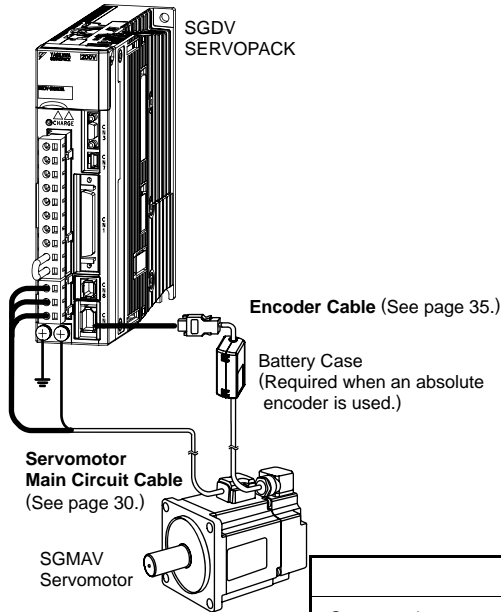
Note: The 7th digit of the model designation is "S" or "E."

The key dimensions are the same as those in the table above.

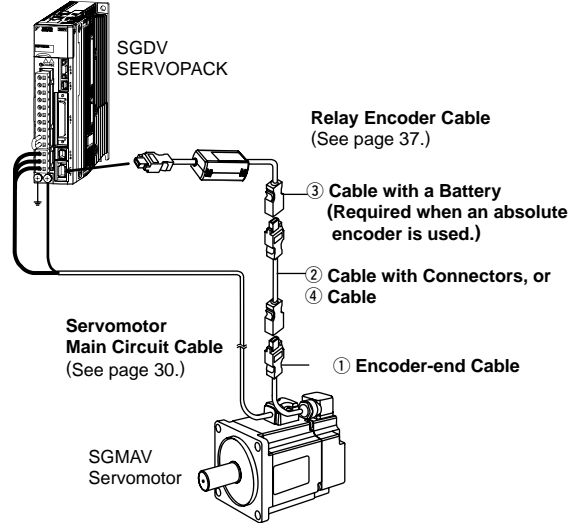
## Selecting Cables

### ● Cables Connections

- Standard Wiring (Max. encoder cable length: 20 m)



- Encoder Cable Extension from 30 to 50 m (Example) (See page 37.)



### ⚠ CAUTION

- Separate the servomotor main circuit cable wiring from the I/O signal cable and encoder cable at least 30 cm, and do not bundle or run them in the same duct.
- When the cable length exceeds 20 m, be sure to use a relay encoder cable.
- When the main circuit cable length exceeds 20 m, note that the intermittent duty zone of the Torque-Motor Speed Characteristics will shrink as the line-to-line voltage drops.

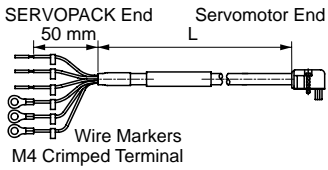
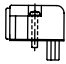

### ● Servomotor Main Circuit Cable

Name	Servomotor Rated Output	Length	Order No.		Specifications	Details
			Standard Type	Flexible Type*		
For Servomotor without Holding Brakes	50 to 150 W	3 m	JZSP-CSM01-03-E	JZSP-CSM21-03-E		(1)
		5 m	JZSP-CSM01-05-E	JZSP-CSM21-05-E		
		10 m	JZSP-CSM01-10-E	JZSP-CSM21-10-E		
		15 m	JZSP-CSM01-15-E	JZSP-CSM21-15-E		
		20 m	JZSP-CSM01-20-E	JZSP-CSM21-20-E		
		30 m	JZSP-CSM01-30-E	JZSP-CSM21-30-E		
		40 m	JZSP-CSM01-40-E	JZSP-CSM21-40-E		
		50 m	JZSP-CSM01-50-E	JZSP-CSM21-50-E		
	200 to 550 W	3 m	JZSP-CSM02-03-E	JZSP-CSM22-03-E		
		5 m	JZSP-CSM02-05-E	JZSP-CSM22-05-E		
		10 m	JZSP-CSM02-10-E	JZSP-CSM22-10-E		
		15 m	JZSP-CSM02-15-E	JZSP-CSM22-15-E		
		20 m	JZSP-CSM02-20-E	JZSP-CSM22-20-E		
		30 m	JZSP-CSM02-30-E	JZSP-CSM22-30-E		
		40 m	JZSP-CSM02-40-E	JZSP-CSM22-40-E		
		50 m	JZSP-CSM02-50-E	JZSP-CSM22-50-E		
	750 W, 1.0 kW	3 m	JZSP-CSM03-03-E	JZSP-CSM23-03-E		
		5 m	JZSP-CSM03-05-E	JZSP-CSM23-05-E		
		10 m	JZSP-CSM03-10-E	JZSP-CSM23-10-E		
		15 m	JZSP-CSM03-15-E	JZSP-CSM23-15-E		
		20 m	JZSP-CSM03-20-E	JZSP-CSM23-20-E		
		30 m	JZSP-CSM03-30-E	JZSP-CSM23-30-E		
		40 m	JZSP-CSM03-40-E	JZSP-CSM23-40-E		
		50 m	JZSP-CSM03-50-E	JZSP-CSM23-50-E		

\*: Use flexible cables for movable sections such as robot arms.

(Cont'd)

## Selecting Cables

Name	Servomotor Rated Output	Length	Order No.		Specifications	Details
			Standard Type	Flexible Type*		
For Servomotor with Holding Brakes	50 to 150 W	3 m	JZSP-CSM11-03-E	JZSP-CSM31-03-E	 <p>SERVOPACK End      Servomotor End 50 mm      L Wire Markers M4 Crimped Terminal</p>	(2)
		5 m	JZSP-CSM11-05-E	JZSP-CSM31-05-E		
		10 m	JZSP-CSM11-10-E	JZSP-CSM31-10-E		
		15 m	JZSP-CSM11-15-E	JZSP-CSM31-15-E		
		20 m	JZSP-CSM11-20-E	JZSP-CSM31-20-E		
		30 m	JZSP-CSM11-30-E	JZSP-CSM31-30-E		
		40 m	JZSP-CSM11-40-E	JZSP-CSM31-40-E		
	200 to 550 W	3 m	JZSP-CSM12-03-E	JZSP-CSM32-03-E		
		5 m	JZSP-CSM12-05-E	JZSP-CSM32-05-E		
		10 m	JZSP-CSM12-10-E	JZSP-CSM32-10-E		
		15 m	JZSP-CSM12-15-E	JZSP-CSM32-15-E		
		20 m	JZSP-CSM12-20-E	JZSP-CSM32-20-E		
		30 m	JZSP-CSM12-30-E	JZSP-CSM32-30-E		
		40 m	JZSP-CSM12-40-E	JZSP-CSM32-40-E		
	750 W, 1.0 kW	3 m	JZSP-CSM13-03-E	JZSP-CSM33-03-E		
		5 m	JZSP-CSM13-05-E	JZSP-CSM33-05-E		
		10 m	JZSP-CSM13-10-E	JZSP-CSM33-10-E		
		15 m	JZSP-CSM13-15-E	JZSP-CSM33-15-E		
		20 m	JZSP-CSM13-20-E	JZSP-CSM33-20-E		
		30 m	JZSP-CSM13-30-E	JZSP-CSM33-30-E		
		40 m	JZSP-CSM13-40-E	JZSP-CSM33-40-E		
Servomotor-end Connector Kit	50 to 150 W	JZSP-CSM9-1-E		Crimping Type (A crimp tool is required.) 	(3)	
	200 to 550 W	JZSP-CSM9-2-E			(4)	
	750 W, 1.0 kW	JZSP-CSM9-3-E			(5)	
Cables	50 to 550 W	5 m	JZSP-CSM90-05-E	JZSP-CSM80-05-E		(6)
		10 m	JZSP-CSM90-10-E	JZSP-CSM80-10-E		
		15 m	JZSP-CSM90-15-E	JZSP-CSM80-15-E		
		20 m	JZSP-CSM90-20-E	JZSP-CSM80-20-E		
		30 m	JZSP-CSM90-30-E	JZSP-CSM80-30-E		
		40 m	JZSP-CSM90-40-E	JZSP-CSM80-40-E		
		50 m	JZSP-CSM90-50-E	JZSP-CSM80-50-E		
	750 W, 1.0kW	5 m	JZSP-CSM91-05-E	JZSP-CSM81-05-E		(7)
		10 m	JZSP-CSM91-10-E	JZSP-CSM81-10-E		
		15 m	JZSP-CSM91-15-E	JZSP-CSM81-15-E		
		20 m	JZSP-CSM91-20-E	JZSP-CSM81-20-E		
		30 m	JZSP-CSM91-30-E	JZSP-CSM81-30-E		
		40 m	JZSP-CSM91-40-E	JZSP-CSM81-40-E		
		50 m	JZSP-CSM91-50-E	JZSP-CSM81-50-E		

\*: Use flexible cables for movable sections such as robot arms.

Selecting Cables

(1) Wiring Specifications for Servomotors without Holding Brakes

SERVOPACK-end Leads		Servomotor-end Connector	
Wire Color	Signal	Signal	Pin No.
Green/yellow	FG	FG	1
Blue	Phase W	Phase W	2
White	Phase V	Phase V	3
Red	Phase U	Phase U	4
		—	5
		—	6

Note: This cable is not shielded.

(2) Wiring Specifications for Servomotor with Holding Brakes

SERVOPACK-end Leads		Servomotor-end Connector	
Wire Color	Signal	Signal	Pin No.
Green/yellow	FG	FG	1
Blue	Phase W	Phase W	2
White	Phase V	Phase V	3
Red	Phase U	Phase U	4
Black	Brake	Brake	5
Black	Brake	Brake	6

Note: No polarity for connection to a holding brake.

Note: This cable is not shielded.

(3) Servomotor-end Connector Kit Specifications: For 50 to 150 W Servomotors

Items	Specifications	External Dimensions mm
Order No.	JZSP-CSM9-1-E (Cables are not included.)	
Applicable Servomotors	SGMAV-A5A, -01A, -C2A	
Manufacturer	J.S.T. Mfg. Co., Ltd.	
Receptacle	J17-06FMH-7KL-1-CF	
Electrical Contact	SJ1F-01GF-P0.8	
Applicable Wire Size	AWG20 to 24	
Outer Diameter of Insulating Sheath	1.11 dia. to 1.53 dia. mm	
Crimp Hand tool	YRS-8841	
Tool Applicator	APLMK SJ1F/M-01-08	
Mounting Screw	M2 Pan-head screw	
Applicable Cable Outer Diameter	7±0.3 dia. mm	

## Selecting Cables

### (4) Servomotor-end Connector Kit Specifications: For 200 to 550 W Servomotors

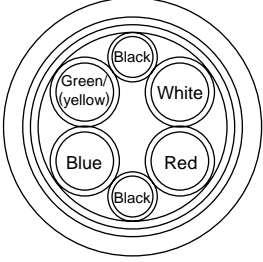
Items		Specifications	External Dimensions mm
Order No.	JZSP-CSM9-2-E (Cables are not included.)		
Applicable Servomotors	SGMAV-02A, -04A, -06A		
Manufacturer	J.S.T. Mfg. Co., Ltd.		
Receptacle	J27-06FMH-7KL-1-CF		
Electrical Contact	SJ2F-01GF-P1.0		
Applicable Wire Size	AWG20 to 24		
Outer Diameter of Insulating Sheath	1.11 dia. to 1.53 dia. mm		
Crimp Tool	Hand tool	YRS-8861	
	Applicator	APLMK SJ2F/M-01-08	
Mounting Screw	M2 Pan-head screw		
Applicable Cable Outer Diameter	7±0.3 dia. mm		

### (5) Servomotor-end Connector Kit Specifications: For 750 W, 1.0 kW Servomotors

Items		Specifications		External Dimensions mm
Order No.	JZSP-CSM9-3-E (Cables are not included.)			
Applicable Servomotors	SGMAV-08A,-10A			
Manufacturer	J.S.T. Mfg. Co., Ltd.			
Receptacle	J37-06FMH-8KL-1-CF			
Cable Type	Standard			
Electrical Contact	SJ3F-41GF-P1.8 (For power terminals)	SJ3F-01GF-P1.8 (For holding brake terminals)		
Applicable Wire Size	AWG16 to 20	AWG20 to 24		
Outer Diameter of Insulating Sheath	1.53 dia. to 2.5 dia. mm	1.11 dia. to 1.86 dia. mm		
Crimp Tool	Hand tool	YRF-880	YRF-881	
	Applicator	APLMK SF3F/M-41-20	APLMK SF3F/M-01-20	
Mounting Screw	M2.5 Pan-head screw			
Applicable Cable Outer Diameter	8±0.3 dia. mm			

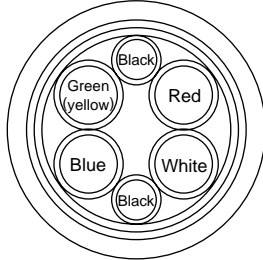
## Selecting Cables

### (6) Cable Specifications: For 50 to 550 W Servomotors

Items	Standard Type	Flexible Type
Order No.*	JZSP-CSM90-□□-E (50 m max.)	JZSP-CSM80-□□-E (50 m max.)
Specifications	UL2517 (Max. operating temperature: 105°C) AWG20x6C For power line: AWG20 (0.52 mm <sup>2</sup> ) Outer diameter of insulating sheath: 1.53 dia. mm For holding brake line: AWG20 (0.52 mm <sup>2</sup> ) Outer diameter of insulating sheath: 1.53 dia. mm	UL2517 (Max. operating temperature: 105°C) AWG22x6C For power line: AWG22 (0.33 mm <sup>2</sup> ) Outer diameter of insulating sheath: 1.37 dia. mm For holding brake line: AWG22 (0.33 mm <sup>2</sup> ) Outer diameter of insulating sheath: 1.37 dia. mm
Finished Dimensions	7±0.3 dia. mm	
Internal Configuration and Lead Color		
Yaskawa Standard Specifications (Standard Length)	Cable length: 5 m, 10 m, 15 m, 20 m, 30 m, 40 m, 50 m	

\*: Specify the cable length in □□ of order no.  
 Example: JZSP-CSM90-05-E (5 m)

### (7) Cable Specifications: For 750 W, 1.0 kW Servomotors

Items	Standard Type	Flexible Type
Order No.*	JZSP-CSM91-□□-E (50 m max.)	JZSP-CSM81-□□-E (50 m max.)
Specifications	UL2517 (Max. operating temperature: 105°C) AWG16x4C, AWG20x2C For power line: AWG16 (1.31 mm <sup>2</sup> ) Outer diameter of insulating sheath: 2.15 dia. mm For holding brake line: AWG20 (0.52 mm <sup>2</sup> ) Outer diameter of insulating sheath: 1.6 dia. mm	UL2517 (Max. operating temperature: 105°C) AWG16x4C, AWG22x2C For power line: AWG16 (1.31 mm <sup>2</sup> ) Outer diameter of insulating sheath: 2.35 dia. mm For holding brake line: AWG22 (0.33 mm <sup>2</sup> ) Outer diameter of insulating sheath: 1.37 dia. mm
Finished Dimensions	8±0.3 dia. mm	
Internal Configuration and Lead Color		
Yaskawa Standard Specifications (Standard Length)	Cable length: 5 m, 10 m, 15 m, 20 m, 30 m, 40 m, 50 m	

\*: Specify the cable length in □□ of order no.  
 Example: JZSP-CSM91-15-E (15 m)

# Selecting Cables

## Encoder Cables (Length: 20 m or less)

Name	Length	Order No.		Specifications	Details
		Standard Type	Flexible Type*		
Cable with Connectors (For Incremental Encoder)	3 m	JZSP-CSP01-03-E	JZSP-CSP21-03-E		(1)
	5 m	JZSP-CSP01-05-E	JZSP-CSP21-05-E		
	10 m	JZSP-CSP01-10-E	JZSP-CSP21-10-E		
	15 m	JZSP-CSP01-15-E	JZSP-CSP21-15-E		
	20 m	JZSP-CSP01-20-E	JZSP-CSP21-20-E		
Cable with Connectors (For Absolute Encoder, with a Battery Case)	3 m	JZSP-CSP05-03-E	JZSP-CSP25-03-E		(2)
	5 m	JZSP-CSP05-05-E	JZSP-CSP25-05-E		
	10 m	JZSP-CSP05-10-E	JZSP-CSP25-10-E		
	15 m	JZSP-CSP05-15-E	JZSP-CSP25-15-E		
	20 m	JZSP-CSP05-20-E	JZSP-CSP25-20-E		
SERVOPACK-end Connector Kit		JZSP-CMP9-1-E		Soldered 	(3)
Encoder-end Connector Kit		JZSP-CSP9-2-E		Crimping Type (A crimp tool is required.) 	
Cables	3 m	JZSP-CMP09-03-E	JZSP-CSP39-03-E		(4)
	5 m	JZSP-CMP09-05-E	JZSP-CSP39-05-E		
	10 m	JZSP-CMP09-10-E	JZSP-CSP39-10-E		
	15 m	JZSP-CMP09-15-E	JZSP-CSP39-15-E		
	20 m	JZSP-CMP09-20-E	JZSP-CSP39-20-E		

\*: Use flexible cables for movable sections such as robot arms.

Note: When the battery from the host controller is used for the absolute encoder, no battery case is required. In this case, use a cable for the incremental encoders.

### (1) Wiring Specifications for Cable with Connectors (For incremental encoder)

#### Standard Type

SERVOPACK End		Encoder (Servomotor) End	
Pin No.	Signal	Pin No.	Wire Color
6	/PS	5	Light blue/white
5	PS	4	Light blue
4	BAT (-)	8	Orange/white
3	BAT (+)	9	Orange
2	PG 0V	3	Black
1	PG 5V	6	Red
Shell	FG	Shell	FG

#### Flexible Type

SERVOPACK End		Encoder (Servomotor) End	
Pin No.	Signal	Pin No.	Wire Color
6	/PS	5	Black/pink
5	PS	4	Red/pink
4	BAT (-)	8	Black/light blue
3	BAT (+)	9	Red/light blue
2	PG 0V	3	Green
1	PG 5V	6	Orange
Shell	FG	Shell	FG

### (2) Wiring Specifications for Cable with Connectors (For absolute encoder, with a battery case)

#### Standard Type

SERVOPACK End		Encoder (Servomotor) End	
Pin No.	Signal	Pin No.	Wire Color
6	/PS	5	Light blue/white
5	PS	4	Light blue
4	BAT (-)	8	Orange/white
3	BAT (+)	9	Orange
2	PG 0V	3	Black
1	PG 5V	6	Red
Shell	FG	Shell	FG

Battery Case	
Pin No.	Signal
2	BAT (-)
1	BAT (+)

#### Flexible Type

SERVOPACK End		Encoder (Servomotor) End	
Pin No.	Signal	Pin No.	Wire Color
6	/PS	5	Black/pink
5	PS	4	Red/pink
4	BAT (-)	8	Black/light blue
3	BAT (+)	9	Red/light blue
2	PG 0V	3	Green
1	PG 5V	6	Orange
Shell	FG	Shell	FG

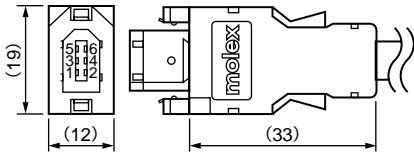
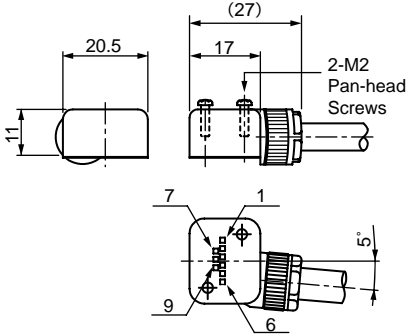
  

Battery Case	
Pin No.	Signal
2	BAT (-)
1	BAT (+)



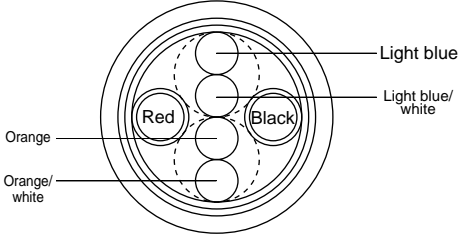
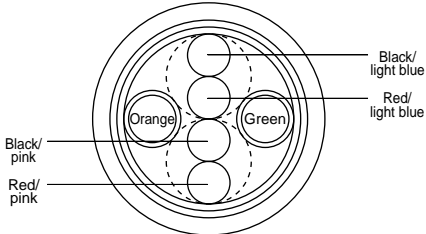
Selecting Cables

(3) SERVOPACK-end/Encoder-end Connector Kit Specifications

Items	SERVOPACK-end Connector Kit	Encoder-end Connector Kit
Order No.	JZSP-CMP9-1-E (Cables are not included.)	JZSP-CSP9-2-E (Cables are not included.)
Manufacturer	Molex Japan Co., Ltd.	Molex Japan Co., Ltd.
Specifications	55100-0670 (soldered)	54346-0070 (crimped)* Mounting screw: M2 pan-head screw (×2) Outer diameter of applicable cable: 6.3 dia. to 7.7 dia. mm Applicable wire size: AWG22 to 26 Outer diameter of insulating sheath: 1.05 dia. to 1.4 dia. mm
External Dimensions mm		

\*: A crimp tool is required.  
The following crimp tools are applicable for the cables provided by Yaskawa. When using other wire sizes, contact the respective manufacturer for crimp tools.  
Applicable crimp tool for Yaskawa's wire size: Hand Tool Model No. 57175-5000  
Applicator Model No. 57175-3000

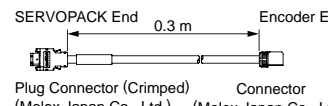
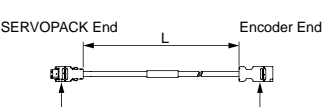
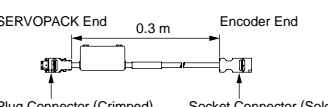
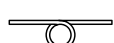
(4) Cable Specifications

Items	Standard Type	Flexible Type
Order No.*	JZSP-CMP09-□□-E	JZSP-CSP39-□□-E
Cable Length	20 m max.	
Specifications	UL20276 (Max. operating temperature: 80°C) AWG22×2C+AWG24×2P AWG22 (0.33 mm <sup>2</sup> ) Outer diameter of insulating sheath: 1.15 dia. mm AWG24 (0.20 mm <sup>2</sup> ) Outer diameter of insulating sheath: 1.09 dia. mm	UL20276 (Max. operating temperature: 80°C) AWG22×2C+AWG24×2P AWG22 (0.33 mm <sup>2</sup> ) Outer diameter of insulating sheath: 1.35 dia. mm AWG24 (0.20 mm <sup>2</sup> ) Outer diameter of insulating sheath: 1.21 dia. mm
Finished Dimensions	6.5 dia. mm	6.8 dia. mm
Internal Configuration and Lead Color		
Yaskawa Standards Specifications (Standard Length)	Cable length: 5 m, 10 m, 15 m, 20 m	

\*: Specify the cable length in □□ of order no.  
Example: JZSP-CSM09-05-E (5 m)

## Selecting Cables

### ● Relay Encoder Cables (For extending from 30 to 50 m)

Name	Length	Order No. Standard Type	Specifications	Details
① Encoder-end Cables (For incremental and absolute encoder)	0.3 m	JZSP-CSP11-E	 <p>SERVOPACK End 0.3 m Encoder End</p> <p>Plug Connector (Crimped) Connector (Molex Japan Co., Ltd.) (Molex Japan Co., Ltd.)</p>	(1)
② Cable with Connectors (For incremental and absolute encoder)	30 m	JZSP-UCMP00-30-E	 <p>SERVOPACK End L Encoder End</p> <p>Plug Connector (Crimped) Socket Connector (Soldered) (Molex Japan Co., Ltd.) (Molex Japan Co., Ltd.)</p>	(2)
	40 m	JZSP-UCMP00-40-E		
	50 m	JZSP-UCMP00-50-E		
③ Cable with a Battery Case (Required when an absolute encoder is used.)	0.3 m	JZSP-CSP12-E*	 <p>SERVOPACK End 0.3 m Encoder End</p> <p>Plug Connector (Crimped) Socket Connector (Soldered) (Molex Japan Co., Ltd.) (Molex Japan Co., Ltd.)</p>	(3)
④ Cables	30 m	JZSP-CMP19-30-E		(4)
	40 m	JZSP-CMP19-40-E		
	50 m	JZSP-CMP19-50-E		

\* When using an incremental encoder or using an absolute encoder with a battery connected to the host controller, no battery case is required.

#### (1) Wiring Specifications for Encoder-end Cable

SERVOPACK End		Encoder (Servomotor) End	
Pin No.	Signal	Pin No.	Wire Color
6	/PS	5	Light blue/white
5	PS	4	Light blue
4	BAT (-)	8	Orange/white
3	BAT (+)	9	Orange
2	PG 0V	3	Black
1	PG 5V	6	Red
Shell	FG	Shell	FG

Shield Wire

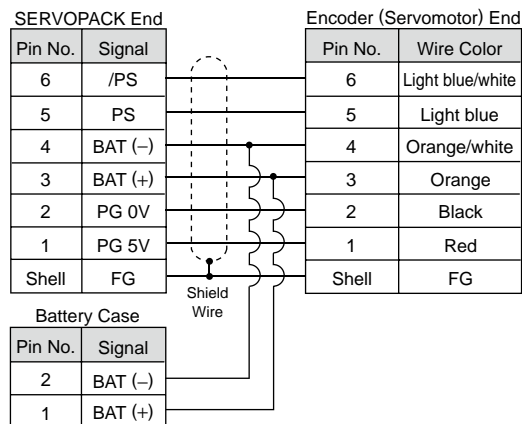
#### (2) Wiring Specifications for Cable with Connectors

SERVOPACK End		Encoder (Servomotor) End	
Pin No.	Signal	Pin No.	Wire Color
6	/PS	6	Light blue/white
5	PS	5	Light blue
4	BAT (-)	4	Orange/white
3	BAT (+)	3	Orange
2	PG 0V	2	Black
1	PG 5V	1	Red
Shell	FG	Shell	FG

Shield Wire

Selecting Cables

(3) Wiring Specifications for Cable with a Battery Case



(4) Cable Specifications

Item	Standard Type
Order No.*	JZSP-CMP19-□□-E
Cable Length	50 m max.
Specifications	UL20276 (Max. operating temperature: 80°C) AWG16×2C+AWG26×2P AWG16 (1.31 mm <sup>2</sup> ) Outer diameter of insulating sheath: 2.0 dia. mm AWG26 (0.13 mm <sup>2</sup> ) Outer diameter of insulating sheath: 0.91 dia. mm
Finished Dimensions	6.8 dia. mm
Internal Configuration and Lead Colors	
Yaskawa Standard Specifications (Standard Length)	Cable length: 30 m, 40 m, 50 m

\*: Specify the cable length in □□ of order no.  
Example: JZSP-CMP19-30-E (30 m)

Time Rating: Continuous  
 Insulation Resistance: 500 VDC, 10 MΩ min.  
 Ambient Temperature: 0 to 40°C  
 Excitation: Permanent magnet  
 Mounting: Flange-mounted  
 Gear Mechanism: Planetary gear mechanism  
 Thermal Class: B

Withstand Voltage: 1500 VAC for one minute  
 Enclosure: Totally enclosed, self-cooled, IP55  
 (except for shaft opening)  
 Ambient Humidity: 20% to 80% (no condensation)  
 Drive Method: Direct drive  
 Rotation Direction: Counterclockwise (CCW) with forward run  
 reference when viewed from the load side

Servomotor Model SGMAV-	Servomotor					Gear								
	Rated Output W	Rated Speed min <sup>-1</sup>	Max. Speed min <sup>-1</sup>	Rated Torque N·m	Instantaneous Peak Torque N·m	Gear Ratio	Lost Motion arc-min	Rated Torque / Efficiency <sup>1</sup> N·m / %	Instantaneous Peak Torque N·m	Rated Speed min <sup>-1</sup>	Max. Speed min <sup>-1</sup>			
A5A□AH1□	50	3000	6000	0.159	0.477	1/5	3 max.	0.433/64 <sup>2</sup>	1.98	600	1200			
A5A□AH2□						1/9		1.12/78				3.8	333	667
A5A□AHC□						1/21		2.84/85				9.0	143	286
A5A□AH7□						1/33		3.68/70				13.4	91	182
01A□AH1□	100	3000	6000	0.318	0.955	1/5	3 max.	1.06/78 <sup>2</sup>	4.20	600	1200			
01A□AHB□						1/11		2.52/72				9.0	273	545
01A□AHC□						1/21		5.35/80				17.8	143	286
01A□AH7□						1/33		7.35/70				27.4	91	182
C2A□AH1□	150	3000	6000	0.477	1.43	1/5	3 max.	1.68/83 <sup>2</sup>	6.45	600	1200			
C2A□AHB□						1/11		3.53/79 <sup>2</sup>				13.9	273	545
C2A□AHC□						1/21		6.3/70 <sup>2</sup>				26.2	143	286
C2A□AH7□						1/33		11.2/79 <sup>2</sup>				42.5	91	182
02A□AH1□	200	3000	6000	0.637	1.91	1/5	3 max.	2.39/75	8.31	600	1200			
02A□AHB□						1/11		5.74/82				18.7	273	545
02A□AHC□						1/21		10.2/76				35.7	143	286
02A□AH7□						1/33		17.0/81				57.4	91	182
04A□AH1□	400	3000	6000	1.27	3.82	1/5	3 max.	5.35/84	17.2	600	1200			
04A□AHB□						1/11		11.5/82				38.2	273	545
04A□AHC□						1/21		23.0/86				74.6	143	286
04A□AH7□						1/33		34.0/81				115	91	182
06A□AH1□	550	3000	6000	1.75	5.25	1/5	3 max.	6.9/79	23.6	600	1200			
06A□AHB□						1/11		16.6/86				53.7	273	545
06A□AHC□						1/21		29.4/80				100	143	286
06A□AHH□						1/33		49.1/85				159	91	182
08A□AH1□	750	3000	6000	2.39	7.16	1/5	3 max.	10.0/84	32.9	600	1200			
08A□AHB□						1/11		23.1/88				73.3	273	545
08A□AHC□						1/21		42.1/84				138	143	286
08A□AH7□						1/33		69.3/88				220	91	182
10A□AH1□	1000	3000	6000	3.18	9.55	1/5	3 max.	13.7/86	44.4	600	1200			
10A□AHB□						1/11		29.1/83				96.6	273	545
10A□AHC□						1/21		58.2/87				186	143	286
10A□AH7□						1/33		94.5/90				296	91	182

\*1: Gear output torque is expressed using the following equation.

$$(\text{Gear output torque}) = (\text{Servomotor output torque}) \times \frac{1}{(\text{gear ratio})} \times (\text{efficiency})$$

Gear efficiency depends on operating conditions such as output torque, motor speed, and temperature etc. The values in the table are representative values with rated torque, rated speed, and an ambient temperature of 25°C, and are not guaranteed values.

\*2: When using SGMAV-A5A, -01A, -C2A servomotors with a gear ratio of 1/5, or an SGMAV-C2A servomotor with a gear ratio of 1/11, maintain an 85% max. effective load ratio. For an SGMAV-C2A servomotor with a gear ratio of 1/21 or 1/31, maintain a 90% max. effective load ratio.

Notes: 1 The gear mounted to our servomotor has not been broken in. Break in the servomotor if necessary. First, run the motor at low speed with no load. If no problems arise, gradually increase the speed and load.

2 The no-load torque for a servomotor with a gear is high immediately after the servomotor starts, and it then decreases and becomes stable a few minutes later. This is a common phenomenon caused by grease being circulated in the gear and not by a faulty gear.

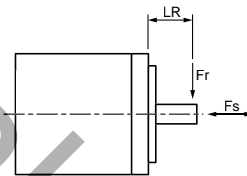
**IMPORTANT** The SERVOPACK speed control range is 5000:1. When using servomotors at extremely low speeds (0.02 min<sup>-1</sup> at gear output shaft), or when using servomotors with 1 pulse feed reference for extended periods etc., the gear bearing lubrication may be insufficient. That may cause deterioration of bearing or increase the load ratio. Contact your Yaskawa representative if you are using your servomotor under these conditions.

**With Low-backlash Gears Ratings and Specifications**

● Moment of Inertia and Allowable Radial and Thrust Loads

Rotary Servomotors

Servomotor Model SGMAV-	Moment of Inertia × 10 <sup>-4</sup> kg·m <sup>2</sup>				Servomotors with Low-backlash Gears			Reference Diagram
	Motor + Gear	Gear	Motor + Gear	Gear	Allowable Radial Load (Fr) N	Allowable Thrust Load (Fs) N	LR mm	
A5A□AH1□	0.0302	0.006	0.0292	0.005	95	431	37	
A5A□AH2□	0.0272	0.003	0.0272	0.003	113	514	37	
A5A□AHC□	0.0282	0.004	0.0282	0.004	146	663	37	
A5A□AH7□	0.0692	0.045	0.0692	0.045	267	1246	53	
01A□AH1□	0.0430	0.005	0.0420	0.004	95	431	37	
01A□AHB□	0.0980	0.060	0.0970	0.059	192	895	53	
01A□AHC□	0.0880	0.050	0.0880	0.050	233	1087	53	
01A□AH7□	0.1030	0.065	0.1020	0.064	605	2581	75	
C2A□AH1□	0.0581	0.005	0.0571	0.004	95	431	37	
C2A□AHB□	0.1131	0.060	0.1121	0.059	192	895	53	
C2A□AHC□	0.1631	0.110	0.1611	0.108	528	2254	75	
C2A□AH7□	0.1181	0.065	0.1171	0.064	605	2581	75	
02A□AH1□	0.323	0.207	0.317	0.201	152	707	53	
02A□AHB□	0.309	0.193	0.308	0.192	192	895	53	
02A□AHC□	0.606	0.490	0.604	0.480	528	2254	75	
02A□AH7□	0.566	0.450	0.565	0.449	605	2581	75	
04A□AH1□	0.397	0.207	0.391	0.201	152	707	53	
04A□AHB□	0.760	0.570	0.750	0.560	435	1856	75	
04A□AHC□	0.680	0.490	0.678	0.488	528	2254	75	
04A□AH7□	0.810	0.620	0.800	0.610	951	4992	128	
06A□AH1□	1.026	0.700	0.986	0.660	343	1465	75	
06A□AHB□	0.896	0.570	0.886	0.560	435	1856	75	
06A□AHC□	1.166	0.840	1.146	0.820	830	4359	128	
06A□AH7□	0.946	0.620	0.936	0.610	951	4992	128	
08A□AH1□	1.469	0.700	1.429	0.660	343	1465	75	
08A□AHB□	1.369	0.600	1.359	0.590	435	1856	75	
08A□AHC□	3.77	3.000	3.75	2.980	830	4359	128	
08A□AH7□	3.57	2.800	3.56	2.790	951	4992	128	
10A□AH1□	1.90	0.700	1.86	0.660	343	1465	75	
10A□AHB□	4.60	3.400	4.54	3.340	684	3590	128	
10A□AHC□	4.20	3.000	4.18	2.980	830	4359	128	
10A□AH7□	4.00	2.800	3.99	2.790	951	4992	128	



**IMPORTANT**

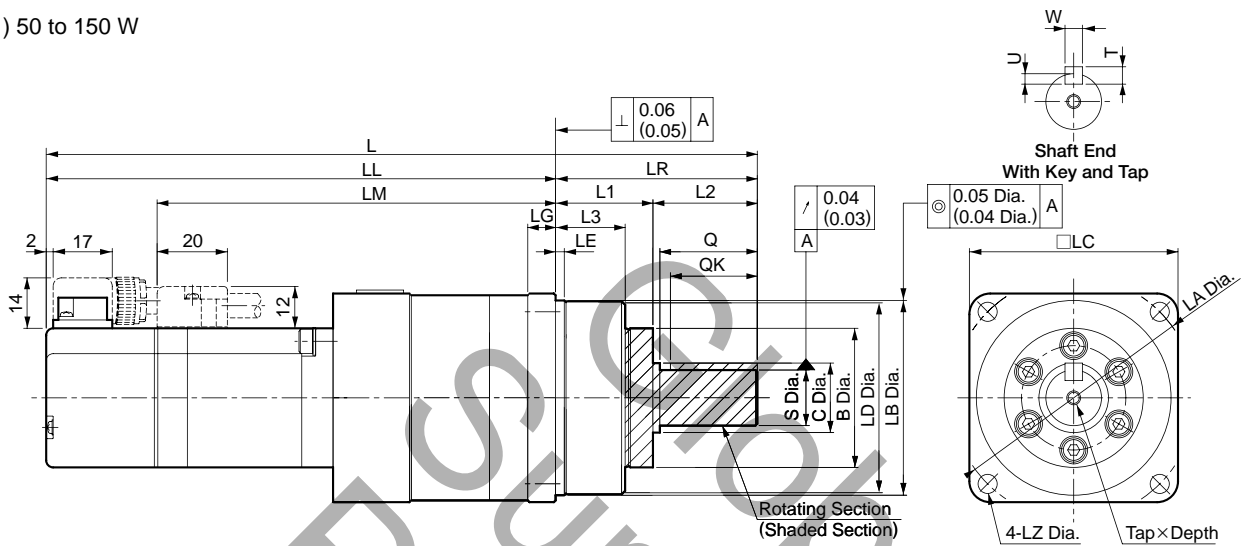
The gear generates the loss at gear mechanism and oil seal. The loss varies with torque and motor speed conditions. The temperature rise depends on heating conditions. Always check the actual gear and motor temperature. If the temperature is high, take the measures shown below.

- Decrease the load ratio.
- Change the heating conditions.
- Cool the motor with a cooling fan etc.

Rated Output W	Heat Sink Size			
	1/5	1/9 or 1/11	1/21	1/33
50	A			
100	A			
150	A			
200	B			
400	B			
550	B			
750	B			
1000	C			

A : 250 mm × 250 mm × 6 mm, aluminum  
 B : 300 mm × 300 mm × 12 mm, aluminum  
 C : 350 mm × 350 mm × 12 mm, aluminum

(1) 50 to 150 W



Model SGMAV-	Gear Ratio	L	LL	LM	Flange Face Dimensions							LC	LA	LZ
					LR	LE	LG	B	LD	LB				
A5A□AH1□1 (A5A□AH1□C)	1/5	152 (197)	110 (155)	78	42	2.2	5	29	39.5	40 <sup>0</sup> <sub>-0.025</sub>	40	46	3.4	
A5A□AH2□1 (A5A□AH2□C)	1/9													
A5A□AHC□1 (A5A□AHC□C)	1/21	161 (206)	119 (164)	87	58	2.5	8	40	55.5	56 <sup>0</sup> <sub>-0.030</sub>	60	70	5.5	
A5A□AH7□1 (A5A□AH7□C)	1/33	192.5 (237.5)	134.5 (179.5)	102.5										
01A□AH1□1 (01A□AH1□C)	1/5	164 (209)	122 (167)	90	42	2.2	5	29	39.5	40 <sup>0</sup> <sub>-0.025</sub>	40	46	3.4	
01A□AHB□1 (01A□AHB□C)	1/11	204.5 (249.5)	146.5 (191.5)	114.5										
01A□AHC□1 (01A□AHC□C)	1/21	229 (274)	149 (194)	117	80	7.5	10	59	84	85 <sup>0</sup> <sub>-0.035</sub>	90	105	9	
01A□AH7□1 (01A□AH7□C)	1/33													
C2A□AH1□1 (C2A□AH1□C)	1/5	176 (221)	134 (179)	102	42	2.2	5	29	39.5	40 <sup>0</sup> <sub>-0.025</sub>	40	46	3.4	
C2A□AHB□1 (C2A□AHB□C)	1/11	216.5 (261.5)	158.5 (203.5)	126.5										
C2A□AHC□1 (C2A□AHC□C)	1/21	241 (286)	161 (206)	129	80	7.5	10	59	84	85 <sup>0</sup> <sub>-0.035</sub>	90	105	9	
C2A□AH7□1 (C2A□AH7□C)	1/33													

Model SGMAV-	Flange Face Dimensions			Q	C	S	Tap x Depth	Key Dimensions				Approx. Mass kg
	L1	L2	L3					QK	U	W	T	
A5A□AH1□1 (A5A□AH1□C)	22	20	14.6	-	-	10 <sup>0</sup> <sub>-0.015</sub>	M3×6L	15	2.5	4	4	0.6 (0.9)
A5A□AH2□1 (A5A□AH2□C)												
A5A□AHC□1 (A5A□AHC□C)												
A5A□AH7□1 (A5A□AH7□C)	28	30	20	28	20	16 <sup>0</sup> <sub>-0.018</sub>	M4×8L	25	3	5	5	1.3 (1.6)
01A□AH1□1 (01A□AH1□C)	22	20	14.6	-	-	10 <sup>0</sup> <sub>-0.015</sub>	M3×6L	15	2.5	4	4	0.7 (1.0)
01A□AHB□1 (01A□AHB□C)												
01A□AHC□1 (01A□AHC□C)												
01A□AH7□1 (01A□AH7□C)	36	44	26	42	32	25 <sup>0</sup> <sub>-0.021</sub>	M6×12L	36	4	8	7	2.8 (3.1)
C2A□AH1□1 (C2A□AH1□C)	22	20	14.6	-	-	10 <sup>0</sup> <sub>-0.015</sub>	M3×6L	15	2.5	4	4	0.8 (1.1)
C2A□AHB□1 (C2A□AHB□C)												
C2A□AHC□1 (C2A□AHC□C)												
C2A□AH7□1 (C2A□AH7□C)	36	44	26	42	32	25 <sup>0</sup> <sub>-0.021</sub>	M6×12L	36	4	8	7	2.9 (3.2)

\*: The asterisk (\*) describes the values of the 8th digit of the model designation, "shaft end code 6 (straight with key and tap)." If a key or tap is not necessary, order a servomotor with "shaft end code 2 (without key and tap)."

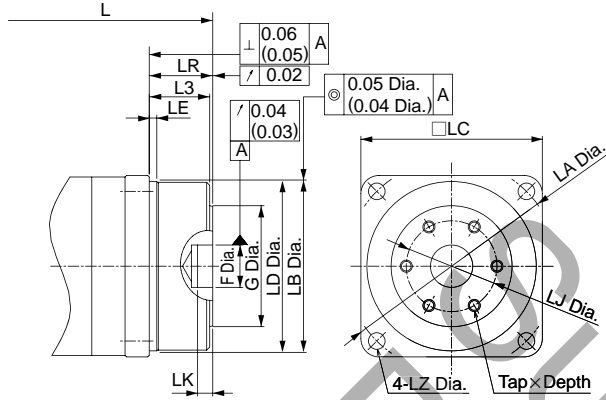
Notes: 1 The models and values in parentheses are for servomotors with holding brakes.

2 Please note that gear dimensions are different from those of Σ-I, Σ-II, and Σ-III series.

With Low-backlash Gears

External Dimensions Units: mm

● Flange Output Face

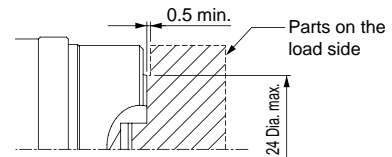


Model SGMAV-	Gear Ratio	L	LR	LJ	F	G	LK	No. of pcs Tap x Depth	Approx. Mass kg
A5A□AH101 (A5A□AH10C)	1/5	125 (170)	15	18	5 <sup>+0.012</sup> <sub>0</sub>	24	3	3-M4 x 6L	0.6 (0.9)
A5A□AH201 (A5A□AH20C)	1/9								
A5A□AHC01 (A5A□AHC0C)	1/21	134 (179)							
A5A□AH701 (A5A□AH70C)	1/33	155.5 (200.5)	21	30	14 <sup>+0.018</sup> <sub>0</sub>	40	5	6-M4 x 7L	1.2 (1.5)
01A□AH101 (01A□AH10C)	1/5	137 (182)	15	18	5 <sup>+0.012</sup> <sub>0</sub>	24	3	3-M4 x 6L	0.7 (1.0)
01A□AHB01 (01A□AHB0C)	1/11	167.5 (212.5)	21	30	14 <sup>+0.018</sup> <sub>0</sub>	40	5	6-M4 x 7L	1.3 (1.6)
01A□AHC01 (01A□AHC0C)	1/21								
01A□AH701 (01A□AH70C)	1/33	176 (221)	27	45	24 <sup>+0.021</sup> <sub>0</sub>	59	5	6-M6 x 10L	2.4 (2.7)
C2A□AH101 (C2A□AH10C)	1/5	149 (194)	15	18	5 <sup>+0.012</sup> <sub>0</sub>	24	3	3-M4 x 6L	0.8 (1.1)
C2A□AHB01 (C2A□AHB0C)	1/11	179.5 (224.5)	21	30	14 <sup>+0.018</sup> <sub>0</sub>	40	5	6-M4 x 7L	1.4 (1.7)
C2A□AHC01 (C2A□AHC0C)	1/21	188 (233)	27	45	24 <sup>+0.021</sup> <sub>0</sub>	59	5	6-M6 x 10L	2.5 (2.8)
C2A□AH701 (C2A□AH70C)	1/33								

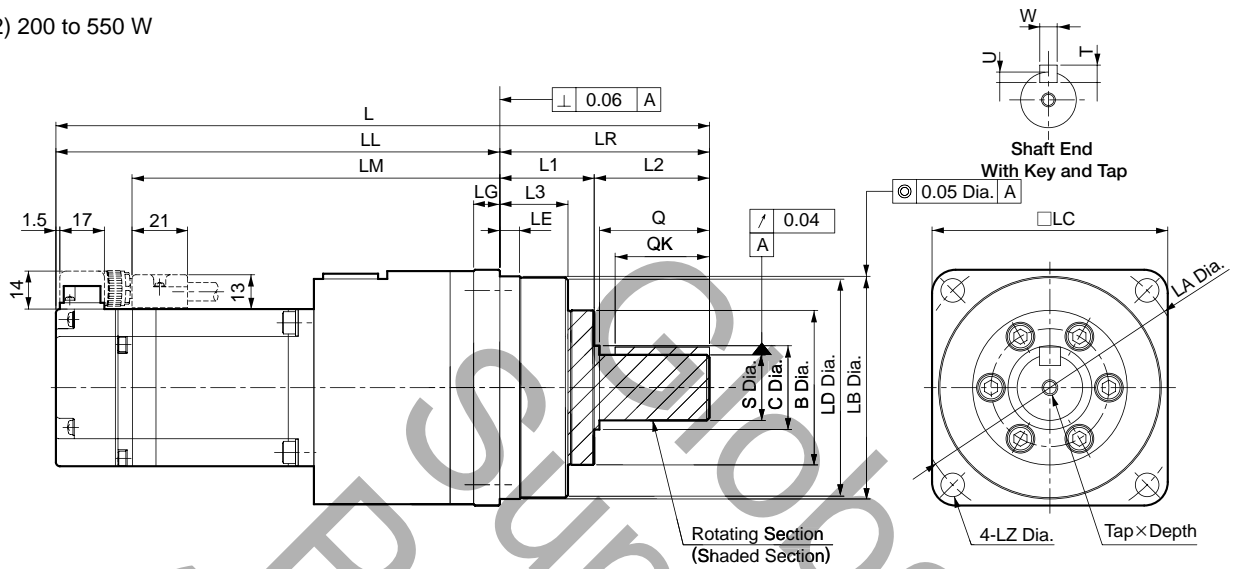
Notes: 1 The models and values in parentheses are for servomotors with holding brakes.  
 2 The dimensions not given on the table above are the same as those in the table on the previous page.

**IMPORTANT**

Regarding the flange output type shaft end, when the flange "LC" is 40 mm, we recommend designing a servomotor with the dimensions shown in the diagram on the right, in order to secure the gap between the gear oil seal and the parts on the load side.



(2) 200 to 550 W



Model SGMAV-	Gear Ratio	Flange Face Dimensions											
		L	LL	LM	LR	LE	LC	B	LD	LB	LC	LA	LZ
02A□AH1□1 (02A□AH1□C)	1/5	202 (242)	144 (184)	115	58	2.5	8	40	55.5	56 <sup>0</sup> <sub>-0.030</sub>	60	70	5.5
02A□AHB□1 (02A□AHB□C)	1/11												
02A□AHC□1 (02A□AHC□C)	1/21	231 (271)	151 (191)	122	80	7.5	10	59	84	85 <sup>0</sup> <sub>-0.035</sub>	90	105	9
02A□AH7□1 (02A□AH7□C)	1/33												
04A□AH1□1 (04A□AH1□C)	1/5	220.5 (260.5)	162.5 (202.5)	133.5	58	2.5	8	40	55.5	56 <sup>0</sup> <sub>-0.030</sub>	60	70	5.5
04A□AHB□1 (04A□AHB□C)	1/11	249.5 (289.5)	169.5 (209.5)	140.5	80	7.5	10	59	84	85 <sup>0</sup> <sub>-0.035</sub>	90	105	9
04A□AHC□1 (04A□AHC□C)	1/21												
04A□AH7□1 (04A□AH7□C)	1/33	335.5 (375.5)	202.5 (242.5)	173.5	133	12.5	13	84	114	115 <sup>0</sup> <sub>-0.035</sub>	120	135	11
06A□AH1□1 (06A□AH1□C)	1/5	275.5 (321.5)	195.5 (241.5)	166.5	80	7.5	10	59	84	85 <sup>0</sup> <sub>-0.035</sub>	90	105	9
06A□AHB□1 (06A□AHB□C)	1/11												
06A□AHC□1 (06A□AHC□C)	1/21	361.5 (407.5)	228.5 (274.5)	199.5	133	12.5	13	84	114	115 <sup>0</sup> <sub>-0.035</sub>	120	135	11
06A□AH7□1 (06A□AH7□C)	1/33												

Model SGMAV-	Flange Face Dimensions						Tap x Depth	Key Dimensions				Approx. Mass kg
	L1	L2	L3	Q	C	S		QK	U	W	T	
02A□AH1□1 (02A□AH1□C)	28	30	20	28	20	16 <sup>0</sup> <sub>-0.018</sub>	M4×8L	25	3	5	5	1.9 (2.5)
02A□AHB□1 (02A□AHB□C)												2.0 (2.6)
02A□AHC□1 (02A□AHC□C)	36	44	26	42	32	25 <sup>0</sup> <sub>-0.021</sub>	M6×12L	36	4	8	7	3.8 (4.4)
02A□AH7□1 (02A□AH7□C)												
04A□AH1□1 (04A□AH1□C)	28	30	20	28	20	16 <sup>0</sup> <sub>-0.018</sub>	M4×8L	25	3	5	5	2.2 (2.8)
04A□AHB□1 (04A□AHB□C)												
04A□AHC□1 (04A□AHC□C)	36	44	26	42	32	25 <sup>0</sup> <sub>-0.021</sub>	M6×12L	36	4	8	7	4.1 (4.7)
04A□AH7□1 (04A□AH7□C)												
06A□AH1□1 (06A□AH1□C)	36	44	26	42	32	25 <sup>0</sup> <sub>-0.021</sub>	M6×12L	36	4	8	7	4.4 (5.1)
06A□AHB□1 (06A□AHB□C)												4.6 (5.3)
06A□AHC□1 (06A□AHC□C)	48	85	33	82	44	40 <sup>0</sup> <sub>-0.025</sub>	M10×20L	70	5	12	8	9.2 (9.9)
06A□AH7□1 (06A□AH7□C)												

\*: The asterisk (\*) describes the values of the 8th digit of the model designation, "shaft end code 6 (straight with key and tap)." If a key or tap is not necessary, order a servomotor with "shaft end code 2 (without key and tap)."

Notes: 1 The models and values in parentheses are for servomotors with holding brakes.

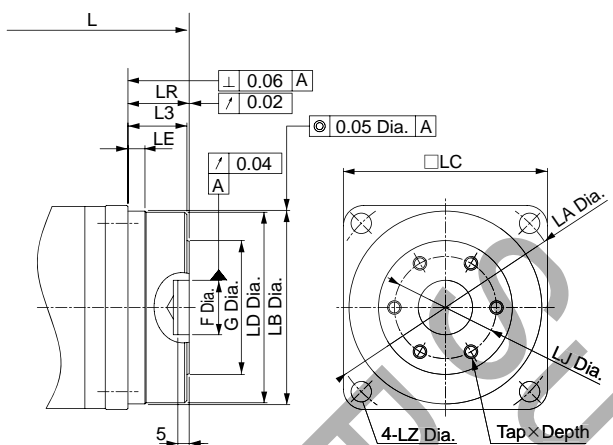
2 Please note that gear dimensions are different from those of Σ-I, Σ-II, and Σ-III series.



With Low-backlash Gears

External Dimensions Units: mm

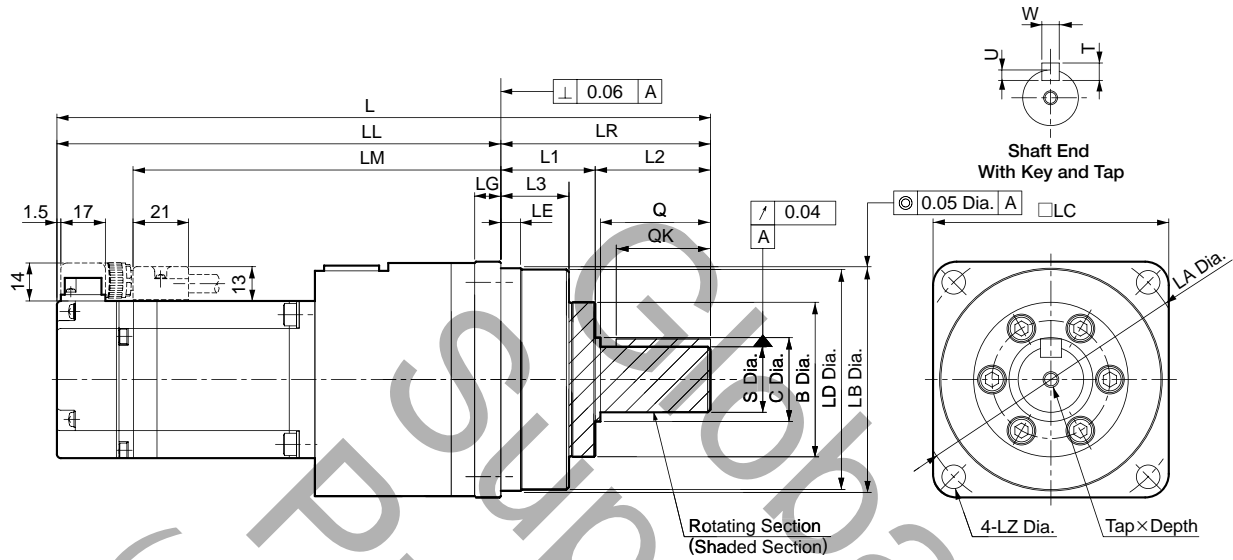
● Flange Output Face



Model SGMAV-	Gear Ratio	L	LR	LJ	F	G	No. of pcs Tap x Depth	Approx. Mass kg
02A□AH101 (02A□AH10C)	1/5	165 (205)	21	30	14 <sup>+0.018</sup> <sub>0</sub>	40	6-M4×7L	1.8 (2.4)
02A□AHB01 (02A□AHB0C)	1/11							1.9 (2.5)
02A□AHC01 (02A□AHC0C)	1/21	178 (218)	27	45	24 <sup>+0.021</sup> <sub>0</sub>	59	6-M6×10L	3.4 (4.0)
02A□AH701 (02A□AH70C)	1/33							3.4 (4.0)
04A□AH101 (04A□AH10C)	1/5	183.5 (223.5)	21	30	14 <sup>+0.018</sup> <sub>0</sub>	40	6-M4×7L	2.1 (2.7)
04A□AHB01 (04A□AHB0C)	1/11							1.9 (2.5)
04A□AHC01 (04A□AHC0C)	1/21	196.5 (236.5)	27	45	24 <sup>+0.021</sup> <sub>0</sub>	59	6-M6×10L	3.7 (4.3)
04A□AH701 (04A□AH70C)	1/33							3.7 (4.3)
06A□AH101 (06A□AH10C)	1/5	222.5 (268.5)	27	45	24 <sup>+0.021</sup> <sub>0</sub>	59	6-M6×10L	4.0 (4.7)
06A□AHB01 (06A□AHB0C)	1/11							4.2 (4.9)
06A□AHC01 (06A□AHC0C)	1/21	263.5 (309.5)	35	60	32 <sup>+0.025</sup> <sub>0</sub>	84	6-M8×12L	7.8 (8.5)
06A□AH701 (06A□AH70C)	1/33							7.8 (8.5)

Notes: 1 The models and values in parentheses are for servomotors with holding brakes.  
 2 The dimensions not given on the table above are the same as those in the table on the previous page.

(3) 750 W, 1.0 kW



Model SGMAV-	Gear Ratio	Flange Face Dimensions											
		L	LL	LM	LR	LE	LC	B	LD	LB	LC	LA	LZ
08A□AH1□1 (08A□AH1□C)	1/5	273 (318)	193 (238)	163	80	7.5	10	59	84	85	90	105	9
08A□AHB□1 (08A□AHB□C)	1/11												
08A□AHC□1 (08A□AHC□C)	1/21	352 (397)	219 (264)	189	133	12.5	13	84	114	115	120	135	11
08A□AH7□1 (08A□AH7□C)	1/33												
10A□AH1□1 (10A□AH1□C)	1/5	303 (353)	223 (273)	193	80	7.5	10	59	84	85	90	105	9
10A□AHB□1 (10A□AHB□C)	1/11												
10A□AHC□1 (10A□AHC□C)	1/21	382 (432)	249 (299)	219	133	12.5	13	84	114	115	120	135	11
10A□AH7□1 (10A□AH7□C)	1/33												

Model SGMAV-	Flange Face Dimensions						Tap x Depth	Key Dimensions				Approx. Mass kg
	L1	L2	L3	Q	C	S		QK	U	W	T	
08A□AH1□1 (08A□AH1□C)	36	44	26	42	32	25	M6×12L	36	4	8	7	5.2 (6.1)
08A□AHB□1 (08A□AHB□C)												5.4 (6.3)
08A□AHC□1 (08A□AHC□C)	48	85	33	82	44	40	M10×20L	70	5	12	8	10.1 (11)
08A□AH7□1 (08A□AH7□C)												
10A□AH1□1 (10A□AH1□C)	36	44	26	42	32	25	M6×12L	36	4	8	7	6.5 (7.5)
10A□AHB□1 (10A□AHB□C)												
10A□AHC□1 (10A□AHC□C)	48	85	33	82	44	40	M10×20L	70	5	12	8	11.4 (12.4)
10A□AH7□1 (10A□AH7□C)												

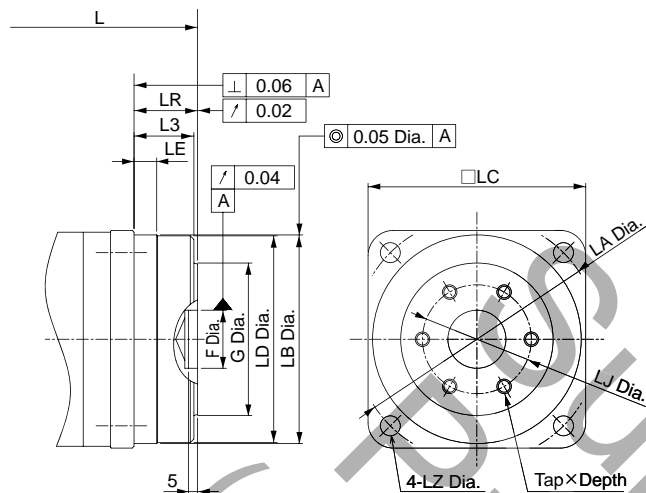
\*: The asterisk (\*) describes the values of the 8th digit of the model designation, "shaft end code 6 (straight with key and tap)." If a key or tap is not necessary, order a servomotor with "shaft end code 2 (without key and tap)."

Notes: 1 The models and values in parentheses are for servomotors with holding brakes.

2 Please note that gear dimensions are different from those of Σ-I, Σ-II, and Σ-III series.

**With Low-backlash Gears** External Dimensions Units: mm

● Flange Output Face



Model SGMAV-	Gear Ratio	L	LR	LJ	F	G	No. of pcs Tap x Depth	Approx. Mass kg
08A□AH101 (08A□AH10C)	1/5	220 (265)	27	45	$24^{+0.021}_0$	59	6-M6 x 10L	4.8 (5.7)
08A□AHB01 (08A□AHB0C)	1/11							5.0 (5.9)
08A□AHC01 (08A□AHC0C)	1/21	254 (299)	35	60	$32^{+0.025}_0$	84	6-M8 x 12L	8.7 (9.6)
08A□AH701 (08A□AH70C)	1/33							
10A□AH101 (10A□AH10C)	1/5	250 (300)	27	45	$24^{+0.021}_0$	59	6-M6 x 10L	6.1 (7.1)
10A□AHB01 (10A□AHB0C)	1/11							
10A□AHC01 (10A□AHC0C)	1/21	284 (334)	35	60	$32^{+0.025}_0$	84	6-M8 x 12L	10.0 (11.0)
10A□AH701 (10A□AH70C)	1/33							

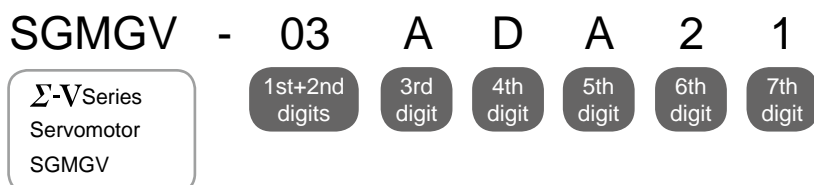
Notes: 1 The models and values in parentheses are for servomotors with holding brakes.  
 2 The dimensions not given on the table above are the same as those in the table on the previous page.

# Rotary Servomotors

# SGMGV



## Model Designations



### 1st+2nd digits Rated Output

Code	Specifications
03	300 W
05	450 W
09	850 W
13	1.3 kW
20	1.8 kW
30	2.9 kW
44	4.4 kW
55	5.5 kW
75	7.5 kW
1A	11 kW
1E	15 kW

### 3rd digit Power Supply Voltage

Code	Specifications
A	200 VAC
D	400 VAC

### 4th digit Serial Encoder

Code	Specifications
3	20-bit absolute
D	20-bit incremental

### 5th digit Design Revision Order

Code	Specifications
A	Standard

### 6th digit Shaft End

Code	Specifications
2	Straight without key
6	Straight with key and tap

### 7th digit Options

Code	Specifications
1	Without options
B	With holding brake (90 VDC)
C	With holding brake (24 VDC)
D	With oil seal and holding brake (90 VDC)
E	With oil seal and holding brake (24 VDC)
S	With oil seal

Limited Stock Items
  Non-Stock Items

## Features

- High-speed driving of feed shafts for various machines
- Wide selection: 300 W to 15 kW capacity, holding brake option
- Mounted serial encoder: 20 bits, high resolution
- Protective structure: IP67

## Application Examples

- Machine tools
- Transfer machines
- Material handling machines
- Food processing equipment

Configurations of connectors for the main circuit vary depending on servomotor capacity.



### SGMGV-03/-05

- The connectors are used only for Yaskawa servomotors. Order the connectors specified by Yaskawa.
- Both protective structure IP67 and European Safety Standards compliant connectors are available.
- For details, refer to page 59 and 60.



### SGMGV-09 to -1E

- The connectors for these models are round. The connectors specified by Yaskawa are required. Note that the connectors vary depending on the operation environment of servomotors.
- Two types of connectors are available.
  - Standard connectors: for details, refer to page 64 and 65.
  - Protective structure IP67 and European Safety Standards compliant connectors: for details, refer to page 66.

## Ratings and Specifications

Time Rating: Continuous

Vibration Class: V15

Insulation Resistance: 500 VDC, 10 MΩ min.

Ambient Temperature: 0 to 40°C

Excitation: Permanent magnet

Mounting: Flange-mounted

Thermal Class: F

Withstand Voltage: 1500 VAC for one minute (200-V Class)

1800 VAC for one minute (400-V Class)

Enclosure: Totally enclosed, self-cooled, IP67

(except for shaft opening)

Ambient Humidity: 20% to 80% (no condensation)

Drive Method: Direct drive

Rotation Direction: Counterclockwise (CCW) with forward run reference when viewed from the load side

200 V Class

Servomotor Model: SGMGV-□□□□		03A	05A	09A	13A	20A	30A	44A	55A	75A	11A	1EA
Rated Output <sup>*1</sup>	kW	0.3	0.45	0.85	1.3	1.8	2.9	4.4	5.5	7.5	11	15
Rated Torque <sup>*1</sup>	N·m	1.96	2.86	5.39	8.34	11.5	18.6	28.4	35.0	48.0	70.0	95.4
Instantaneous Peak Torque <sup>*1</sup>	N·m	5.88	8.92	13.8	23.3	28.7	45.1	71.1	87.6	119	175	224
Rated Current <sup>*1</sup>	A <sub>rms</sub>	2.8	3.8	6.9	10.7	16.7	23.8	32.8	42.1	54.7	58.6	78
Instantaneous Max. Current <sup>*1</sup>	A <sub>rms</sub>	8	11	17	28	42	56	84	110	130	140	170
Rated Speed <sup>*1</sup>	min <sup>-1</sup>	1500										
Max. Speed <sup>*1</sup>	min <sup>-1</sup>	3000									2000	
Torque Constant	N·m/A <sub>rms</sub>	0.776	0.854	0.859	0.891	0.748	0.848	0.934	0.871	0.957	1.32	1.37
Rotor Moment of Inertia	×10 <sup>-4</sup> kg·m <sup>2</sup>	2.48 (2.73)	3.33 (3.58)	13.9 (16)	19.9 (22)	26 (28.1)	46 (54.5)	67.5 (76.0)	89.0 (97.5)	125 (134)	242 (261)	303 (341)
Rated Power Rate <sup>*1</sup>	kW/s	15.5 (14.1)	24.6 (22.8)	20.9 (18.2)	35.0 (31.6)	50.9 (47.1)	75.2 (63.5)	119 (106)	138 (126)	184 (172)	202 (188)	300 (283)
Rated Angular Acceleration <sup>*1</sup>	rad/s <sup>2</sup>	7900 (7180)	8590 (7990)	3880 (3370)	4190 (3790)	4420 (4090)	4040 (3410)	4210 (3740)	3930 (3590)	3840 (3580)	2890 (2680)	3150 (2960)
Applicable SERVOPACK	SGDV-□□□□	3R8A	3R8A	7R6A	120A	180A	330A 220A <sup>*2</sup>	330A	470A	550A	590A	780A

\*1: These items and torque-motor speed characteristics quoted in combination with a SERVOPACK are at an armature winding temperature of 20°C.

\*2: Some restrictions apply when using an SGDV-200A SERVOPACK in combination with an SGMGV-30A servomotor.

Notes: 1 The values in parentheses are for servomotors with holding brakes.

2 The above specifications show the values under the cooling condition when the following heat sinks are mounted on the servomotors.

SGMGV-03A/-05A: 250 mm × 250 mm × 6 mm (aluminum)

SGMGV-09A/-13A/-20A: 400 mm × 400 mm × 20 mm (iron)

SGMGV-30A/-44A/-55A/-75A: 550 mm × 550 mm × 30 mm (iron)

SGMGV-11A/-1EA: 650 mm × 650 mm × 35 mm (iron)

400 V Class

Servomotor Model: SGMGV-□□□□		03D	05D	09D	13D	20D	30D	44D	55D	75D	11D	1ED
Rated Output*	kW	0.3	0.45	0.85	1.3	1.8	2.9	4.4	5.5	7.5	11	15
Rated Torque*	N·m	1.96	2.86	5.39	8.34	11.5	18.6	28.4	35.0	48.0	70.0	95.4
Instantaneous Peak Torque*	N·m	5.88	8.92	13.8	23.3	28.7	45.1	71.1	87.6	119	175	224
Rated Current*	A <sub>rms</sub>	1.4	1.9	3.5	5.4	8.4	11.9	16.5	20.8	25.7	28.1	37.2
Instantaneous Max. Current*	A <sub>rms</sub>	4	5.5	8.5	14	20	28	40.5	52	65	70	85
Rated Speed*	min <sup>-1</sup>	1500										
Max. Speed*	min <sup>-1</sup>	3000									2000	
Torque Constant	N·m/A <sub>rms</sub>	1.55	1.71	1.72	1.78	1.50	1.70	1.93	1.80	1.92	2.64	2.74
Rotor Moment of Inertia	×10 <sup>-4</sup> kg·m <sup>2</sup>	2.48 (2.73)	3.33 (3.58)	13.9 (16)	19.9 (22)	26 (28.1)	46 (54.5)	67.5 (76.0)	89.0 (97.5)	125 (134)	242 (261)	303 (341)
Rated Power Rate*	kW/s	15.5 (14.1)	24.6 (22.8)	20.9 (18.2)	35.0 (31.6)	50.9 (47.1)	75.2 (63.5)	119 (106)	138 (126)	184 (172)	202 (188)	300 (283)
Rated Angular Acceleration*	rad/s <sup>2</sup>	7900 (7180)	8590 (7990)	3880 (3370)	4190 (3790)	4420 (4090)	4040 (3410)	4210 (3740)	3930 (3590)	3840 (3580)	2890 (2680)	3150 (2960)
Applicable SERVOPACK	SGDV-□□□□	1R9D	1R9D	3R5D	5R4D	8R4D	120D	170D	210D	260D	280D	370D

\*: These items and torque-motor speed characteristics quoted in combination with a SERVOPACK are at an armature winding temperature of 20°C.

Notes: 1 The values in parentheses are for servomotors with holding brakes.

2 The above specifications show the values under the cooling condition when the following heat sinks are mounted on the servomotors.

SGMGV-03D/-05D: 250 mm × 250 mm × 6 mm (aluminum)

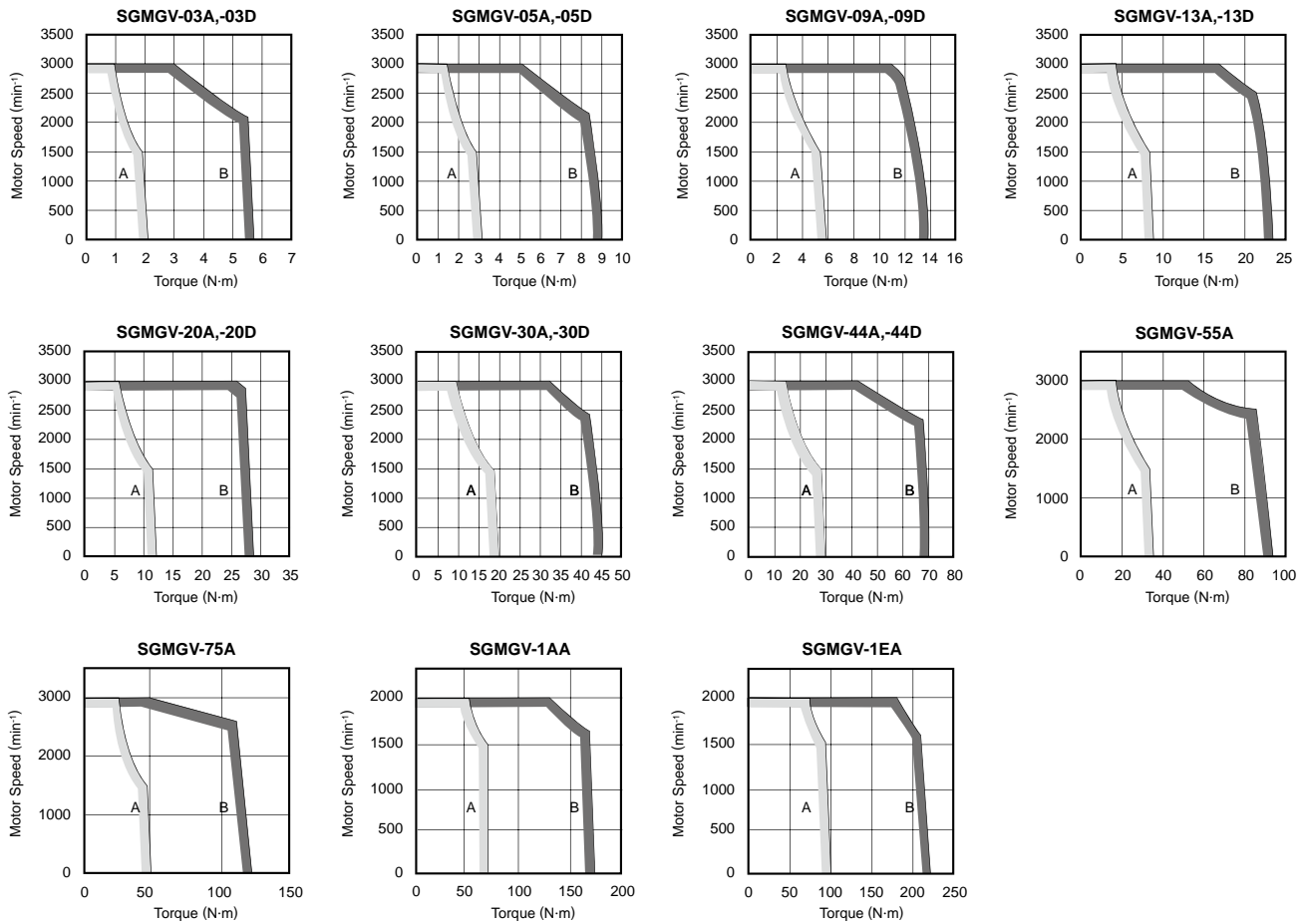
SGMGV-09D/-13D/-20D: 400 mm × 400 mm × 20 mm (iron)

SGMGV-30D/-44D/-55D/-75D: 550 mm × 550 mm × 30 mm (iron)

SGMGV-11D/-1ED: 650 mm × 650 mm × 35 mm (iron)

**Ratings and Specifications**

● Torque-Motor Speed Characteristics (200 V/400 V) **A**: Continuous Duty Zone **B**: Intermittent Duty Zone <sup>Note1</sup>



Notes: 1 When the effective torque during intermittent duty is within the rated torque, the servomotor can be used within the intermittent duty zone.  
 2 When the main circuit cable length exceeds 20 m, note that the intermittent duty zone of the Torque-Motor Speed Characteristics will shrink as the line-to-line voltage drops.

● Holding Brake Electrical Specifications

Servomotor Model	Servomotor Rated Output kW	Holding Brake Specifications				
		Holding Torque N-m	Rated Voltage 24 VDC		Rated Voltage 90 VDC	
			Capacity W	Rated Current A (at 20°C)	Capacity W	Rated Current A (at 20°C)
SGMGV-03	0.3	4.5	10	0.42	10	0.11
SGMGV-05	0.45	4.5	10	0.42	10	0.11
SGMGV-09	0.85	12.7	10	0.41	10	0.11
SGMGV-13	1.3	19.6	10	0.41	10	0.11
SGMGV-20	1.8	19.6	10	0.41	10	0.11
SGMGV-30	2.9	43.1	18.5	0.77	18.5	0.21
SGMGV-44	4.4	43.1	18.5	0.77	18.5	0.21
SGMGV-55	5.5	72.6	25	1.05	25	0.28
SGMGV-75	7.5	72.6	25	1.05	25	0.28
SGMGV-1A	11	84.3	32	1.33	32	0.36
SGMGV-1E	15	114.6	35	1.46	35	0.39

Notes: 1 The holding brake is only used to hold the load and cannot be used to stop the servomotor.  
 2 The holding brake open time and holding brake operation time vary depending on which discharge circuit is used. Make sure holding brake open time and holding brake operation time are correct for your servomotor.  
 3 A 24-VDC power supply is provided by customers.  
 4 Refer to page 338 for information on the 90-VDC power supply.

## Ratings and Specifications

### ● Allowable Load Moment of Inertia at the Motor Shaft

The rotor moment of inertia ratio is the value for a servomotor without a gear and a holding brake.

Servomotor Model	Servomotor Rated Output	Allowable Load Moment of Inertia (Rotor Moment of Inertia Ratio)
SGMGV-03 to -1E	0.3 to 1.5 kW	5 times

### ● Load Moment of Inertia

- The larger the load moment of inertia, the worse the movement response of the load.
- The allowable load moment of inertia (JL) depends on motor capacity, as shown above. This value is provided strictly as a guideline and results may vary depending on servomotor drive conditions.
- Use the AC servo drive capacity selection program SigmaJunmaSize+ to check the operation conditions. The program can be downloaded for free from our web site (<http://www.e-mechatronics.com/>).
- An overvoltage alarm (A.400) is likely to occur during deceleration if the load moment of inertia exceeds the allowable load moment of inertia. SERVOPACKs with a built-in regenerative resistor may generate a regenerative overload alarm (A.320). Take one of the following steps if this occurs.
  - Reduce the torque limit.
  - Reduce the deceleration rate.
  - Reduce the maximum speed.
  - Install an external regenerative resistor if the alarm cannot be cleared using the steps above. Refer to Regenerative Resistors on page 339.

### ● Allowable Radial and Thrust Loads

Design the mechanical system so thrust and radial loads applied to the servomotor shaft end during operation fall within the ranges shown in the table.

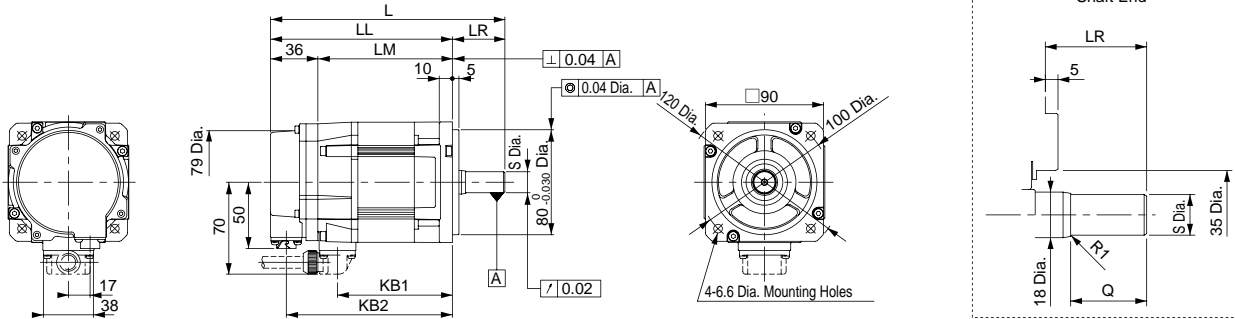
Servomotor Model	Allowable Radial Load (Fr) N	Allowable Thrust Load (Fs) N	LR mm	Reference Diagram	
SGMGV-	03□□A21	490	98	37	
	05□□A21	490	98	40	
	09□□A21	490	98	58	
	13□□A21	686	343	58	
	20□□A21	980	392	58	
	30□□A21	1470	490	79	
	44□□A21	1470	490	79	
	55□□A21	1764	588	113	
	75□□A21	1764	588	113	
	1A□□A21	1764	588	116	
	1E□□A21	4998	2156	116	



**External Dimensions** Units: mm

● Without Holding Brakes

(1) 300 W, 450 W

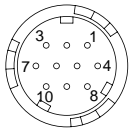


Note: For the specifications of the other shaft ends, refer to page 58.

Model SGMGV-	L	LL	LM	LR	KB1	KB2	Shaft End Dimensions		Approx. Mass kg
							S	Q	
03□□A21	163	126	90	37	75	114	14 <sub>0,011</sub> <sup>0</sup>	25	2.6
05□□A21	179	139	103	40	88	127	16 <sub>0,011</sub> <sup>0</sup>	30	3.2

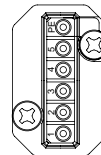
Note: Models with oil seals are of the same configuration.

· Cable Specifications for Encoder-end Connector (20-bit Encoder)



Receptacle: CM10-R10P-D  
 Applicable plug (To be provided by the customer)  
 Plug: CM10-AP10S-□-D (Angle)  
 CM10-SP10S-□-D (Straight)  
 (Boxes (□) indicate a value that varies, depending on cable size.)  
 Manufacturer: DDK Ltd.

· Cable Specifications for Servomotor-end Connector



PE	FG (Frame ground)
5	—
4	—
3	Phase U
2	Phase V
1	Phase W

Manufacturer: Japan Aviation Electronics Industry, Ltd.

With an Absolute Encoder

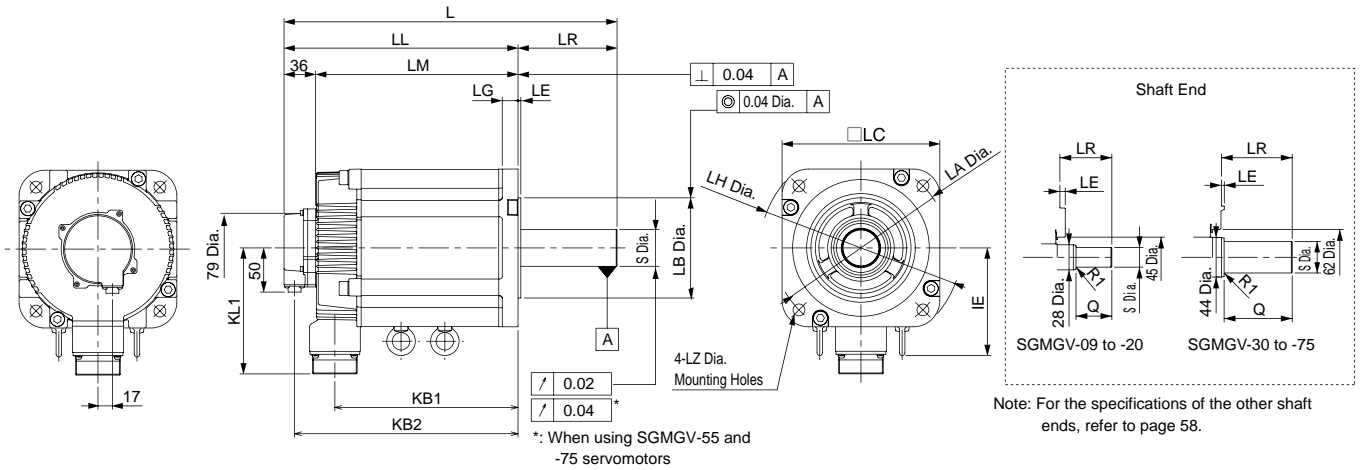
1	PS	6	BAT (+)
2	/PS	7	—
3	—	8	—
4	PG 5V	9	PG 0V
5	BAT (-)	10	FG (Frame ground)

With an Incremental Encoder

1	PS	6	—
2	/PS	7	—
3	—	8	—
4	PG 5V	9	PG 0V
5	—	10	FG (Frame ground)

# External Dimensions Units: mm

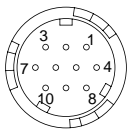
(2) 850 W to 7.5 kW



Model SGMGV-	L	LL	LM	LR	KB1	KB2	IE	KL1	Flange Face Dimensions						Shaft End Dimensions		Approx. Mass kg	
									LA	LB	LC	LE	LG	LH	LZ	S		Q
09□□A21	195	137	101	58	83	125	-	104	145	110 <sup>0</sup> <sub>-0.035</sub>	130	6	12	165	9	19 <sup>0</sup> <sub>-0.013</sub>	40	5.5
13□□A21	211	153	117	58	99	141	-	104	145	110 <sup>0</sup> <sub>-0.035</sub>	130	6	12	165	9	22 <sup>0</sup> <sub>-0.013</sub>	40	7.1
20□□A21	229	171	135	58	117	159	-	104	145	110 <sup>0</sup> <sub>-0.035</sub>	130	6	12	165	9	24 <sup>0</sup> <sub>-0.013</sub>	40	8.6
30□□A21	239	160	124	79	108	148	-	134	200	114.3 <sup>0</sup> <sub>-0.025</sub>	180	3.2	18	230	13.5	35 <sup>+0.01</sup> <sub>0</sub>	76	13.5
44□□A21	263	184	148	79	132	172	-	134	200	114.3 <sup>0</sup> <sub>-0.025</sub>	180	3.2	18	230	13.5	35 <sup>+0.01</sup> <sub>0</sub>	76	17.5
55□□A21	334	221	185	113	163	209	123	144	200	114.3 <sup>0</sup> <sub>-0.025</sub>	180	3.2	18	230	13.5	42 <sup>0</sup> <sub>-0.016</sub>	110	21.5
75□□A21	380	267	231	113	209	255	123	144	200	114.3 <sup>0</sup> <sub>-0.025</sub>	180	3.2	18	230	13.5	42 <sup>0</sup> <sub>-0.016</sub>	110	29.5

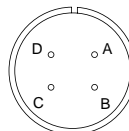
Note: Models with oil seals are of the same configuration.

· Cable Specifications for Encoder-end Connector (20-bit Encoder)



Receptacle: CM10-R10P-D  
 Applicable plug (To be provided by the customer)  
 Plug: CM10-AP10S-□-D (Angle)  
 CM10-SP10S-□-D (Straight)  
 (Boxes (□) indicate a value that varies, depending on cable size.)  
 Manufacturer: DDK Ltd.

· Cable Specifications for Servomotor-end Connector



A	Phase U
B	Phase V
C	Phase W
D	FG (Frame ground)

Manufacturer: DDK Ltd.

With an Absolute Encoder

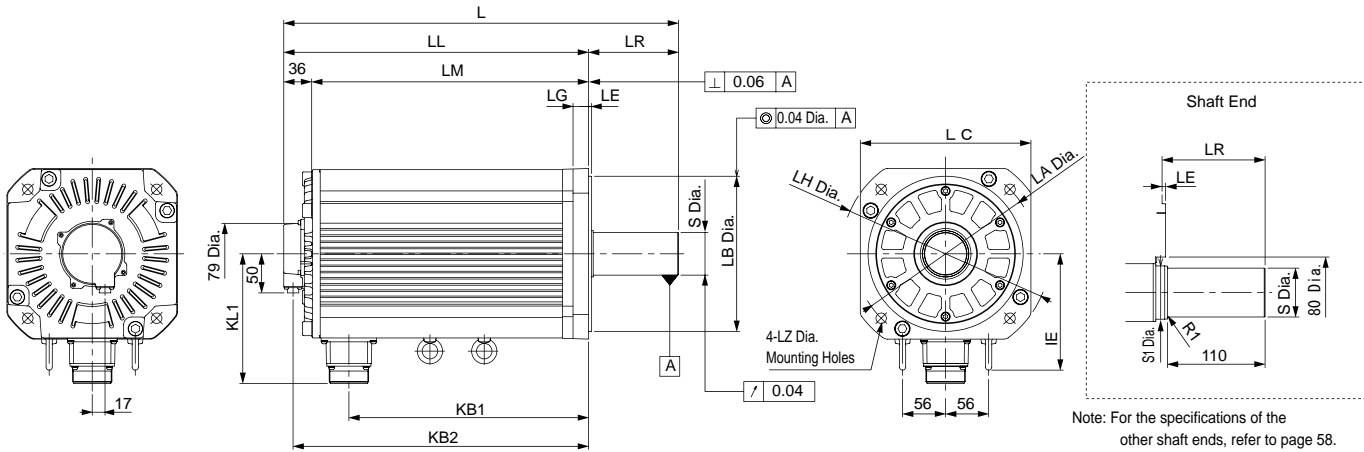
1	PS	6	BAT (+)
2	/PS	7	-
3	-	8	-
4	PG 5V	9	PG 0V
5	BAT (-)	10	FG (Frame ground)

With an Incremental Encoder

1	PS	6	-
2	/PS	7	-
3	-	8	-
4	PG 5V	9	PG 0V
5	-	10	FG (Frame ground)

**External Dimensions** Units: mm

(3) 11 kW, 15 kW

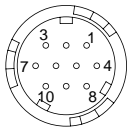


Note: For the specifications of the other shaft ends, refer to page 58.

Model SGMGV-	L	LL	LM	LR	KB1	KB2	IE	KL1	Flange Face Dimensions						Shaft End Dimensions		Approx. Mass kg	
									LA	LB	LC	LE	LG	LH	LZ	S		S1
1A□□A21	447	331	295	116	247	319	150	168	235	200 <sup>0</sup> <sub>-0.046</sub>	220	4	20	270	13.5	42 <sup>0</sup> <sub>-0.016</sub>	50	57
1E□□A21	509	393	357	116	309	381	150	168	235	200 <sup>0</sup> <sub>-0.046</sub>	220	4	20	270	13.5	55 <sup>+0.030</sup> <sub>+0.011</sub>	60	67

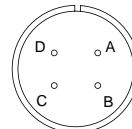
Note: Models with oil seals are of the same configuration.

· Cable Specifications for Encoder-end Connector (20-bit Encoder)



Receptacle: CM10-R10P-D  
 Applicable plug (To be provided by the customer)  
 Plug: CM10-AP10S-□-D (Angle)  
 CM10-SP10S-□-D (Straight)  
 (Boxes □ indicate a value that varies, depending on cable size.)  
 Manufacturer: DDK Ltd.

· Cable Specifications for Servomotor-end Connector



A	Phase U
B	Phase V
C	Phase W
D	FG (Frame ground)

Manufacturer: DDK Ltd.

With an Absolute Encoder

1	PS	6	BAT (+)
2	/PS	7	-
3	-	8	-
4	PG 5V	9	PG 0V
5	BAT (-)	10	FG (Frame ground)

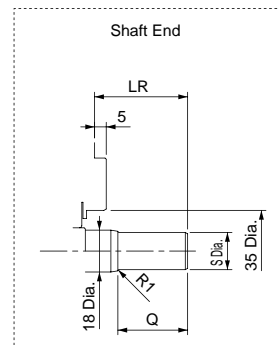
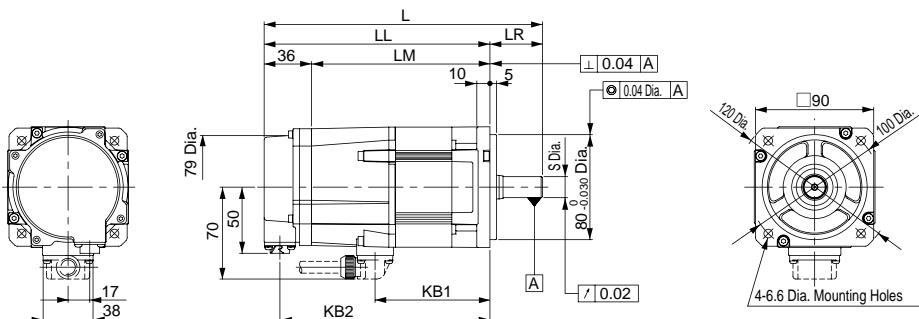
With an Incremental Encoder

1	PS	6	-
2	/PS	7	-
3	-	8	-
4	PG 5V	9	PG 0V
5	-	10	FG (Frame ground)

## External Dimensions Units: mm

### ● With Holding Brakes

(1) 300 W, 450 W

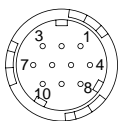


Note: For the specifications of the other shaft ends, refer to page 58.

Model SGMGV-	L	LL	LM	LR	KB1	KB2	Shaft End Dimensions		Approx. Mass kg
							S	Q	
03□□A2□	196	159	123	37	75	147	14 <sup>0</sup> <sub>0.011</sub>	25	3.6
05□□A2□	212	172	136	40	88	160	16 <sup>0</sup> <sub>0.011</sub>	30	4.2

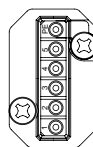
Note: Models with oil seals are of the same configuration.

#### · Cable Specifications for Encoder-end Connector (20-bit Encoder)



Receptacle: CM10-R10P-D  
 Applicable plug (To be provided by the customer)  
 Plug: CM10-AP10S-□-D (Angle)  
 CM10-SP10S-□-D (Straight)  
 (Boxes (□) indicate a value that varies, depending on cable size.)  
 Manufacturer: DDK Ltd.

#### · Cable Specifications for Servomotor-end Connector



PE	FG (Frame ground)
5	Brake terminal
4	Brake terminal
3	Phase U
2	Phase V
1	Phase W

Manufacturer: Japan Aviation Electronics Industry, Ltd.

#### With an Absolute Encoder

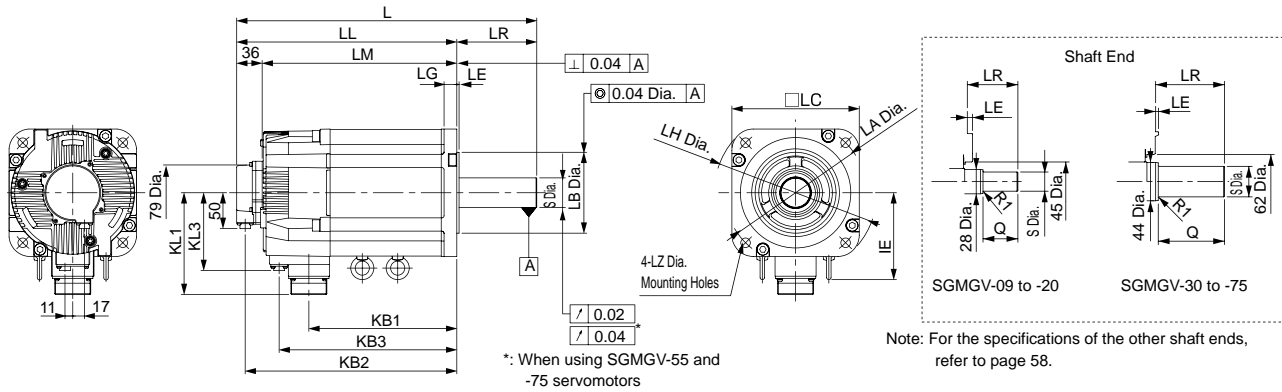
1	PS	6	BAT (+)
2	/PS	7	-
3	-	8	-
4	PG 5V	9	PG 0V
5	BAT (-)	10	FG (Frame ground)

#### With an Incremental Encoder

1	PS	6	-
2	/PS	7	-
3	-	8	-
4	PG 5V	9	PG 0V
5	-	10	FG (Frame ground)

**External Dimensions** Units: mm

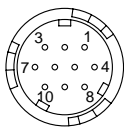
(2) 850 W to 7.5 kW



Model SGMGV-	L	LL	LM	LR	KB1	KB2	KB3	IE	KL1	KL3	Flange Face Dimensions						Shaft End Dimensions		Approx. Mass kg	
											LA	LB	LC	LE	LG	LH	LZ	S		Q
09□□A2□	231	173	137	58	83	161	115	-	104	80	145	110 <sup>0</sup> <sub>-0.035</sub>	130	6	12	165	9	19 <sup>0</sup> <sub>-0.013</sub>	40	7.5
13□□A2□	247	189	153	58	99	177	131	-	104	80	145	110 <sup>0</sup> <sub>-0.035</sub>	130	6	12	165	9	22 <sup>0</sup> <sub>-0.013</sub>	40	9.0
20□□A2□	265	207	171	58	117	195	149	-	104	80	145	110 <sup>0</sup> <sub>-0.035</sub>	130	6	12	165	9	24 <sup>0</sup> <sub>-0.013</sub>	40	11.0
30□□A2□	287	208	172	79	108	196	148	-	134	110	200	114.3 <sup>0</sup> <sub>-0.025</sub>	180	3.2	18	230	13.5	35 <sup>+0.01</sup> <sub>0</sub>	76	19.5
44□□A2□	311	232	196	79	132	220	172	-	134	110	200	114.3 <sup>0</sup> <sub>-0.025</sub>	180	3.2	18	230	13.5	35 <sup>+0.01</sup> <sub>0</sub>	76	23.5
55□□A2□	378	265	229	113	163	253	205	123	144	110	200	114.3 <sup>0</sup> <sub>-0.025</sub>	180	3.2	18	230	13.5	42 <sup>0</sup> <sub>-0.016</sub>	110	27.5
75□□A2□	424	311	275	113	209	299	251	123	144	110	200	114.3 <sup>0</sup> <sub>-0.025</sub>	180	3.2	18	230	13.5	42 <sup>0</sup> <sub>-0.016</sub>	110	35

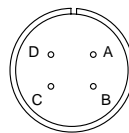
Note: Models with oil seals are of the same configuration.

· Cable Specifications for Encoder-end Connector (20-bit Encoder)



Receptacle: CM10-R10P-D  
 Applicable plug (To be provided by the customer)  
 Plug: CM10-AP10S-□-D (Angle)  
 CM10-SP10S-□-D (Straight)  
 (Boxes □ indicate a value that varies, depending on cable size.)  
 Manufacturer: DDK Ltd.

· Cable Specifications for Servomotor-end Connector



A	Phase U
B	Phase V
C	Phase W
D	FG (Frame ground)

Manufacturer: DDK Ltd.

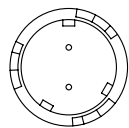
With an Absolute Encoder

1	PS	6	BAT (+)
2	/PS	7	-
3	-	8	-
4	PG 5V	9	PG 0V
5	BAT (-)	10	FG (Frame ground)

With an Incremental Encoder

1	PS	6	-
2	/PS	7	-
3	-	8	-
4	PG 5V	9	PG 0V
5	-	10	FG (Frame ground)

· Cable Specifications for Brake-end Connector



Receptacle: CM10-R2P-D  
 Applicable plug (To be provided by the customer)  
 Plug: CM10-AP2S-□-D (Angle)  
 CM10-SP2S-□-D (Straight)  
 (Boxes □ indicate a value that varies, depending on cable size.)  
 Manufacturer: DDK Ltd.

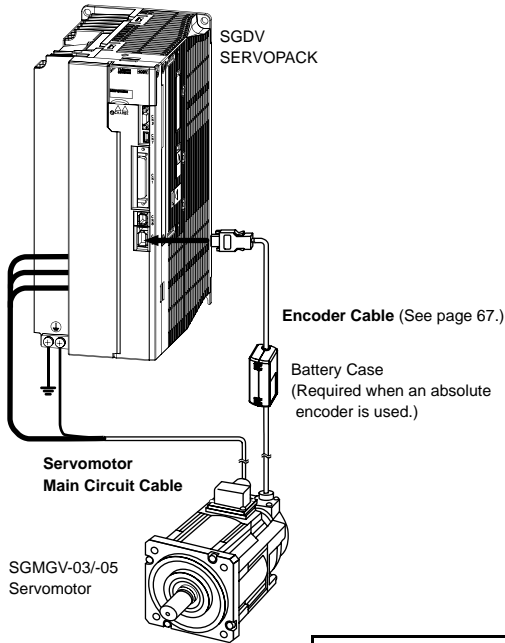
Brake terminal
Brake terminal

Note: No polarity for connection to the brake terminals

## Selecting Main Circuit Cables (SGMGV-03 / -05)

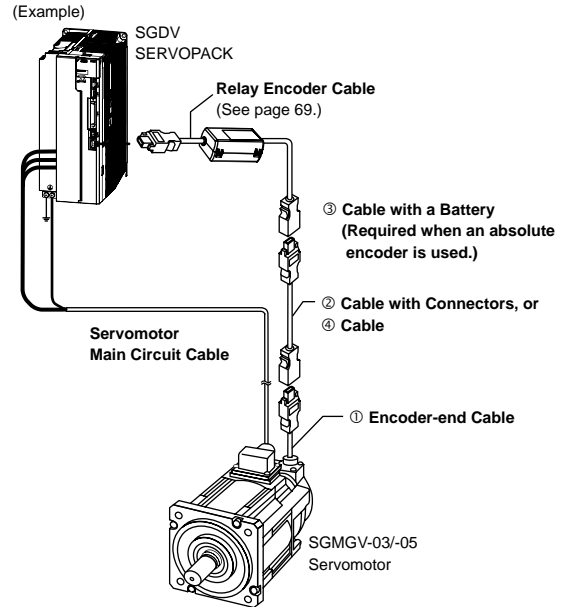
### ● Cables Connections

- Standard Wiring (Max. encoder cable length: 20 m)



- Encoder Cable Extension from 30 to 50 m

(See page 69.)



### ⚠ CAUTION

- Separate the servomotor main circuit cable wiring from the I/O signal cable and encoder cable at least 30 cm, and do not bundle or run them in the same duct.
- When the main circuit cable length exceeds 20 m, note that the intermittent duty zone of the Torque-Motor Speed Characteristics will shrink as the line-to-line voltage drops.

### ● Servomotor Main Circuit Cable

Servomotor Rated Output	Name	Length	Order No.		Specifications	Details	
			Standard (Flexible) Type*	Premium (Flex + Shield) Type			
0.3 kW 0.45 kW	For Servomotor without Holding Brakes	3 m	JZSP-CVM21-03-E	YEA-CVM21-03(A)-E		(1)	
		5 m	JZSP-CVM21-05-E	YEA-CVM21-05(A)-E			
		10 m	JZSP-CVM21-10-E	YEA-CVM21-10(A)-E			
		15 m	JZSP-CVM21-15-E	YEA-CVM21-15(A)-E			
		20 m	JZSP-CVM21-20-E	YEA-CVM21-20(A)-E			
		30 m	JZSP-CVM21-30-E	-			
		40 m	JZSP-CVM21-40-E	-			
	50 m	JZSP-CVM21-50-E	-				
	For Servomotor with Holding Brakes	3 m	JZSP-CVM41-03-E	YEA-CVM41-03(A)-E		(2)	
		5 m	JZSP-CVM41-05-E	YEA-CVM41-05(A)-E			
		10 m	JZSP-CVM41-10-E	YEA-CVM41-10(A)-E			
		15 m	JZSP-CVM41-15-E	YEA-CVM41-15(A)-E			
		20 m	JZSP-CVM41-20-E	YEA-CVM41-20(A)-E			
		30 m	JZSP-CVM41-30-E	-			
		40 m	JZSP-CVM41-40-E	-			
50 m	JZSP-CVM41-50-E	-					
	Servomotor- end Connector Kit	-	JZSP-CVM9-1-E	-	Crimping Type (A crimp tool is required.)		(3)

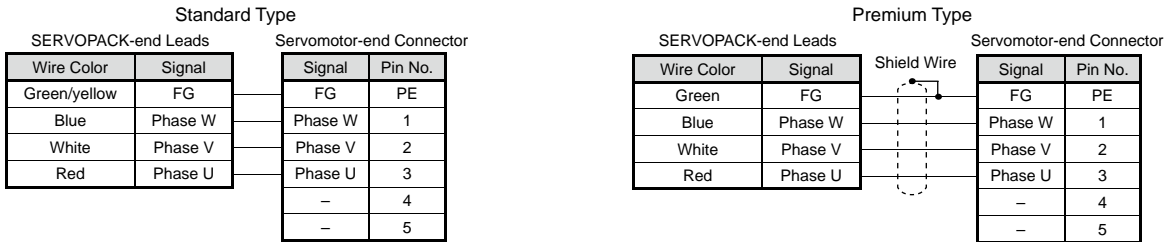
\*: These flexible cables are provided as standard equipment.

(Cont'd)

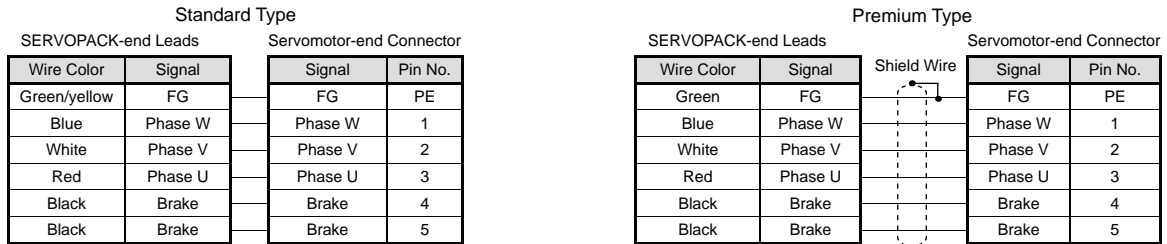
Selecting Main Circuit Cables (SGMGV-03 / -05)

Servomotor Rated Output	Name		Length	Order No.		Specifications	Details
				Standard (Flexible) Type*			
0.3 kW 0.45 kW	Cables	For Servomotor without Holding Brakes (4 wires)	5 m	JZSP-CVM29-05-E		(4)	
			10 m	JZSP-CVM29-10-E			
			15 m	JZSP-CVM29-15-E			
			20 m	JZSP-CVM29-20-E			
			30 m	JZSP-CVM29-30-E			
			40 m	JZSP-CVM29-40-E			
			50 m	JZSP-CVM29-50-E			
		For Servomotor with Holding Brakes (6 wires)	5 m	JZSP-CVM49-05-E		(4)	
			10 m	JZSP-CVM49-10-E			
			15 m	JZSP-CVM49-15-E			
			20 m	JZSP-CVM49-20-E			
			30 m	JZSP-CVM49-30-E			
			40 m	JZSP-CVM49-40-E			
			50 m	JZSP-CVM49-50-E			

(1) Wiring Specifications for Servomotors without Holding Brakes



(2) Wiring Specifications for Servomotor with Holding Brakes



Note: No polarity for connection to a holding brake

Note: No polarity for connection to a holding brake

(3) Servomotor-end Connector Kit Specifications

Items	Specifications	External Dimensions mm
Order No.	JZSP-CVM9-1-E (Cables are not included.)	
Applicable Servomotors	SGMGV-03/-05	
Manufacturer	Japan Aviation Electronics Industry, Ltd.	
Plug	JNYFX06SJ3	
Electrical Contact	ST-TMH-S-C1B	
Applicable Wire Size	AWG18 to 22	
Outer Diameter of Insulating Sheath	1.3 dia. to 1.8 dia.	
Crimp Tool	Hand tool: CT160-3-TMH5B Applicator: 350-TMH5B-2B	
Mounting Screw	M3 Pan head screw	
Applicable Cable Outer Diameter	6.9 dia. to 8.3 dia.	

(4) Cable Specifications

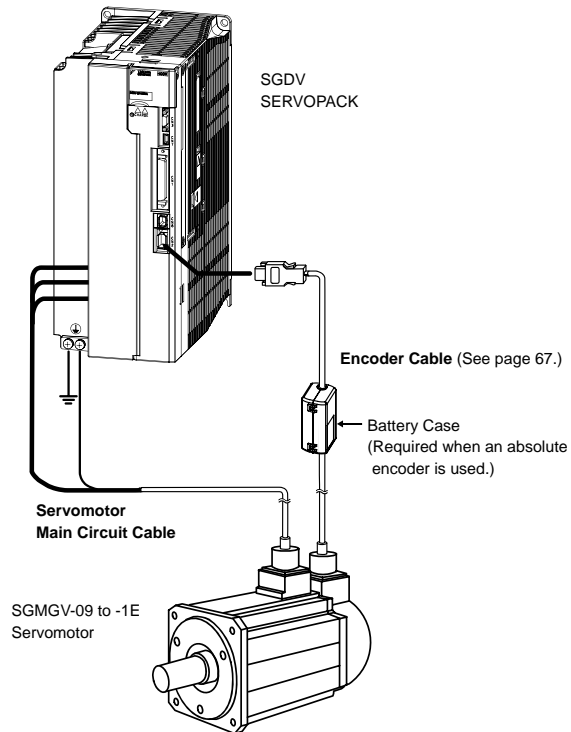
Items	For Servomotor without Holding Brakes (4 wires)	For Servomotor with Holding Brakes (6 wires)
Order No.*	JZSP-CVM29-□□-E	JZSP-CVM49-□□-E
Cable Length	50 m max.	
Specifications	UL2586 (Max. operating temperature: 105°C) AWG20×4C For power line: AWG20 (0.55 mm <sup>2</sup> ) Outer diameter of insulating sheath: 1.77 dia.	UL2586 (Max. operating temperature: 105°C) AWG20×6C For power line: AWG20 (0.55 mm <sup>2</sup> ) Outer diameter of insulating sheath: 1.77 dia. For holding brake line: AWG20 (0.55 mm <sup>2</sup> ) Outer diameter of insulating sheath: 1.77 dia.
Finished Dimensions	7.3±0.3 dia.	7.4±0.3 dia.
Internal Configuration and Lead Color		
Yaskawa Standard Specifications (Standard Length)	Cable length: 5 m, 10 m, 15 m, 20 m, 30 m, 40 m, 50 m	

\*: Specify the cable length in □□ of order no. [ JZSP-CVM29-□□-05-E (5 m) ]

## Selecting Main Circuit Cables (SGMGV-09 to -1E)

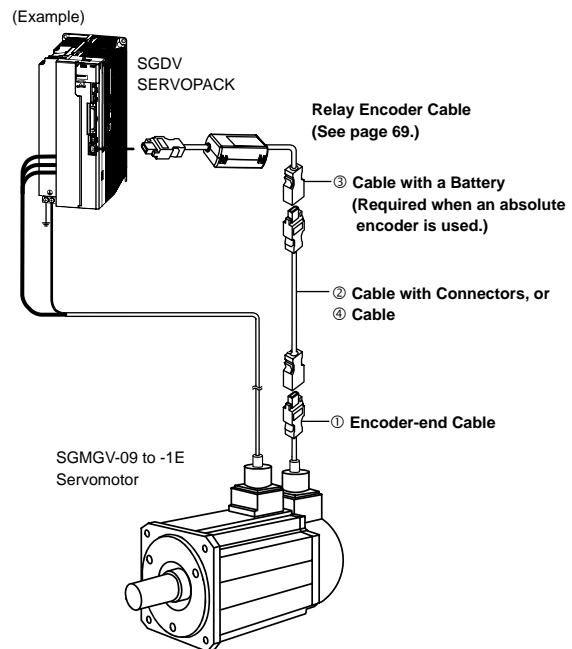
### ● Cables Connections

- Standard Wiring (Max. encoder cable length: 20 m)



- Encoder Cable Extension from 30 to 50 m

(See page 69.)



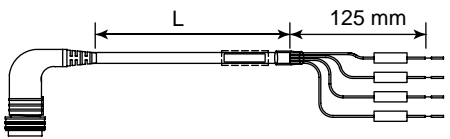
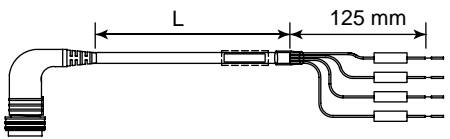
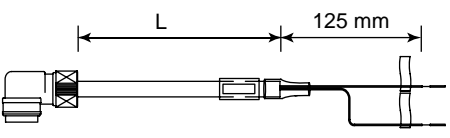
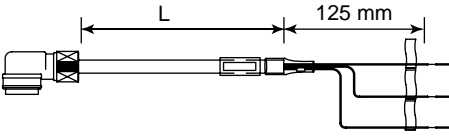
### ⚠ CAUTION

- Separate the servomotor main circuit cable wiring from the I/O signal cable and encoder cable at least 30 cm, and do not bundle or run them in the same duct.
- When the main circuit cable length exceeds 20 m, note that the intermittent duty zone of the Torque-Motor Speed Characteristics will shrink as the line-to-line voltage drops.



Selecting Main Circuit Cables (SGMGV-09 to -1E)

● Servomotor Main Circuit Cables

Voltage	Servomotor Rated Output	Name	Length	Order No.		Specifications	Details		
				Value Type	Premium Type <sup>*2</sup>				
200V	850W, 1.3kW	Servomotor Power Cable <sup>*1</sup>	3 m	B1EV-03(A)-E	B1EP-03(A)-E		(1)		
			5 m	B1EV-05(A)-E	B1EP-05(A)-E				
			10 m	B1EV-10(A)-E	B1EP-10(A)-E				
			15 m	B1EV-15(A)-E	B1EP-15(A)-E				
			20 m	B1EV-20(A)-E	B1EP-20(A)-E				
	2.0kW		3 m	B2EV-03(A)-E	B2EP-03(A)-E				
			5 m	B2EV-05(A)-E	B2EP-05(A)-E				
			10 m	B2EV-10(A)-E	B2EP-10(A)-E				
			15 m	B2EV-15(A)-E	B2EP-15(A)-E				
			20 m	B2EV-20(A)-E	B2EP-20(A)-E				
	3.0 to 4.4kW		3 m	B4EV-03(A)-E	B4EP-03(A)-E				
			5 m	B4EV-05(A)-E	B4EP-05(A)-E				
			10 m	B4EV-10(A)-E	B4EP-10(A)-E				
			15 m	B4EV-15(A)-E	B4EP-15(A)-E				
			20 m	B4EV-20(A)-E	B4EP-20(A)-E				
	5.5 to 7.5kW		3 m	B6EV-03(A)-E	B6EP-03(A)-E				
			5 m	B6EV-05(A)-E	B6EP-05(A)-E				
			10 m	B6EV-10(A)-E	B6EP-10(A)-E				
			15 m	B6EV-15(A)-E	B6EP-15(A)-E				
			20 m	B6EV-20(A)-E	B6EP-20(A)-E				
11 to 15kW	3 m	B7EV-03(A)-E	B7EP-03(A)-E						
	5 m	B7EV-05(A)-E	B7EP-05(A)-E						
	10 m	B7EV-10(A)-E	B7EP-10(A)-E						
	15 m	B7EV-15(A)-E	B7EP-15(A)-E						
	20 m	B7EV-20(A)-E	B7EP-20(A)-E						
400V	850W, 1.3kW, 2.0kW	3 m	B1EV-03(A)-E	B1EP-03(A)-E		(1)			
		5 m	B1EV-05(A)-E	B1EP-05(A)-E					
		10 m	B1EV-10(A)-E	B1EP-10(A)-E					
		15 m	B1EV-15(A)-E	B1EP-15(A)-E					
		20 m	B1EV-20(A)-E	B1EP-20(A)-E					
	3.0 to 4.4kW	3 m	B3EV-03(A)-E	B3EP-03(A)-E					
		5 m	B3EV-05(A)-E	B3EP-05(A)-E					
		10 m	B3EV-10(A)-E	B3EP-10(A)-E					
		15 m	B3EV-15(A)-E	B3EP-15(A)-E					
		20 m	B3EV-20(A)-E	B3EP-20(A)-E					
	5.5 to 7.5kW	3 m	B5EV-03(A)-E	B5EP-03(A)-E					
		5 m	B5EV-05(A)-E	B5EP-05(A)-E					
		10 m	B5EV-10(A)-E	B5EP-10(A)-E					
		15 m	B5EV-15(A)-E	B5EP-15(A)-E					
		20 m	B5EV-20(A)-E	B5EP-20(A)-E					
	11 to 15kW	3 m	B6EV-03(A)-E	B6EP-03(A)-E					
		5 m	B6EV-05(A)-E	B6EP-05(A)-E					
		10 m	B6EV-10(A)-E	B6EP-10(A)-E					
		15 m	B6EV-15(A)-E	B6EP-15(A)-E					
		20 m	B6EV-20(A)-E	B6EP-20(A)-E					
200V and 400V	850W to 15kW	Holding Brake Cable	3 m	BBEV-03(A)-E	-		(2)		
			5 m	BBEV-05(A)-E	-				
			10 m	BBEV-10(A)-E	-				
			15 m	BBEV-15(A)-E	-				
			20 m	BBEV-20(A)-E	-				
	850W to 15kW		3 m	-	BBEP-03(A)-E				(3)
			5 m	-	BBEP-05(A)-E				
			10 m	-	BBEP-10(A)-E				
			15 m	-	BBEP-15(A)-E				
			20 m	-	BBEP-20(A)-E				

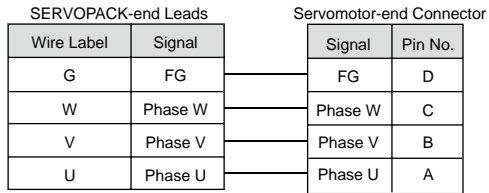
\*1 Servomotors with holding brakes require a holding brake cable in addition to a power cable.

\*2 Premium cables have a braided shield and are intended for use in applications that require CE. B1EP through B5EP have a continuous flex and are intended for use in movable sections such as robot arms.

## Selecting Main Circuit Cables (SGMGV-09 to -1E)

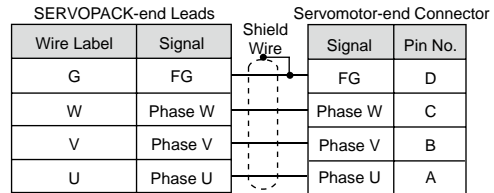
### (1) Wiring Specifications for Servomotors with and without Holding Brakes\*

#### ● Value Type



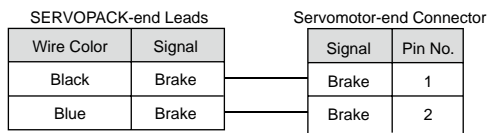
\*For servomotors with holding brakes, the holding brake cable must also be wired.

#### ● Premium Type



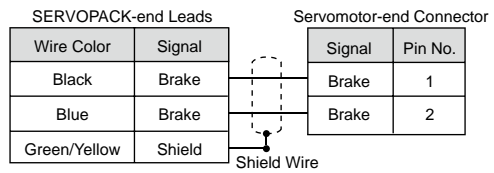
\*For servomotors with holding brakes, the holding brake cable must also be wired.

### (2) Wiring Specifications for the Value Type Brake Cable



Note: No polarity for connection to a holding brake.

### (3) Wiring Specifications for the Premium Type Brake Cable



Note: No polarity for connection to a holding brake.

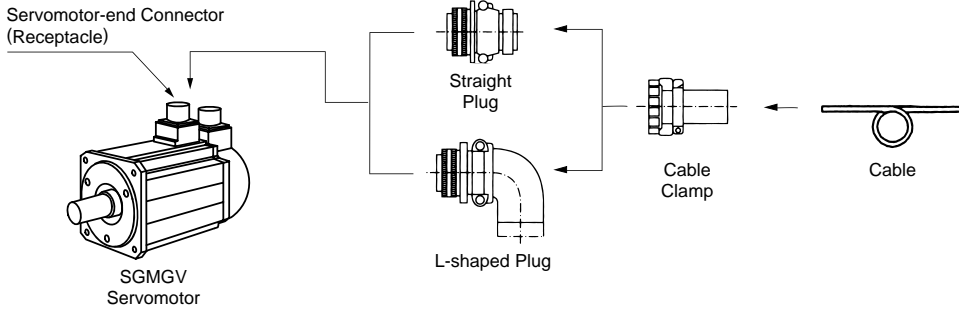
## ● Customer Cable Assembly

- Customers may assemble the servomotor's main circuit cables and attach connectors to connect the SERVOPACKs and the SGMGV servomotors.
- The connectors specified by Yaskawa are required. Note that the connectors vary depending on the operation environment of servomotors.
- Two types of connectors are available.
  - Standard connectors
  - Protective structure IP67 and European Safety Standards compliant connectors
- Yaskawa does not specify which cables to use. Use appropriate cables for the connectors.

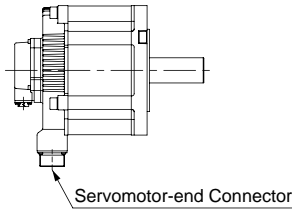
Selecting Main Circuit Cables (SGMGV-09 to -1E)

● Standard Connectors

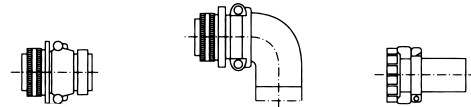
● Connector Configuration



(1) Without Holding Brakes



Servomotor-end Connector  
For 0.85 to 15 kW

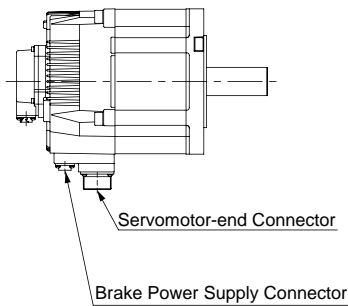


Capacity kW	Servomotor-end Connector (Receptacle)	Cable-end Connector (Not provided by Yaskawa)		
		Straight Plug	L-shaped Plug	Cable Clamp
0.85 1.3 1.8	MS3102A18-10P	MS3106B18-10S	MS3108B18-10S	MS3057-10A
2.9 4.4	MS3102A22-22P	MS3106B22-22S	MS3108B22-22S	MS3057-12A
5.5 to 15	MS3102A32-17P	MS3106B32-17S	MS3108B32-17S	MS3057-20A

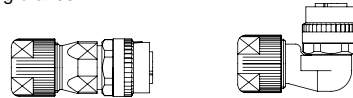
Note: Servomotor-end connectors (receptacles) are RoHS-compliant. Contact the respective connector manufacturers for RoHS-compliant cable-end connectors (not provided by Yaskawa).

(2) With Holding Brakes

0.85 to 15 kW servomotors require servomotor-end connector and brake power supply connector.  
The servomotor-end connector is the same as is used for servomotors without holding brakes.

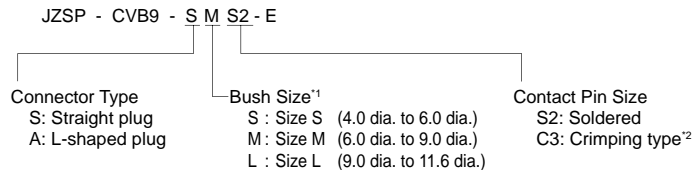


Brake Power Supply Connector  
0.85 to 15 kW



Capacity kW	Servomotor-end Connector (Receptacle)	Cable-end Connector (Not provided by Yaskawa)		
		Straight Plug	L-shaped Plug	Manufacturer
0.85 to 15	CM10-R2P-D	CM10-SP2S-S-D Applicable Cable: 4.0 dia. to 6.0 dia.	CM10-AP2S-S-D Applicable Cable: 4.0 dia. to 6.0 dia.	DDK Ltd.
		CM10-SP2S-M-D Applicable Cable: 6.0 dia. to 9.0 dia.	CM10-AP2S-M-D Applicable Cable: 6.0 dia. to 9.0 dia.	
		CM10-SP2S-L-D Applicable Cable: 9.0 dia. to 11.6 dia.	CM10-AP2S-L-D Applicable Cable: 9.0 dia. to 11.6 dia.	

To order a brake power supply connector kit (0.85 to 15 kW) with the order no. below, contact your Yaskawa representative.



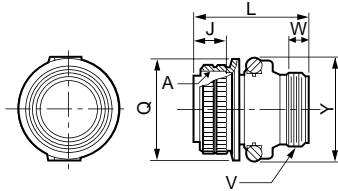
\*1: A size-M connector kit is available as a standard equipment.  
\*2: A crimp tool (model: 357J-50448T) by DDK Ltd. is required.

## Selecting Main Circuit Cables (SGMGV-09 to -1E) Units: mm

### • Cable-end Connectors

#### (1) MS3106B□□-□□S :

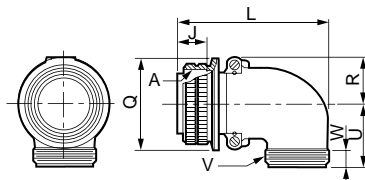
##### Straight Plug



Shell Size	Joint Screw A	Length of Joint Portion J±0.12	Overall Length L max.	Outer Diameter of Joint Nut Q <sup>+0</sup> <sub>-0.38</sub>	Cable Clamp Set Screw V	Effective Screw Length W min.	Maximum Width Y max.
18	1-1/8-18UNEF	18.26	52.37	34.13	1-20UNEF	9.53	42
22	1-3/8-18UNEF	18.26	55.57	40.48	1-3/16-18UNEF	9.53	50
32	2-18UNS	18.26	61.92	56.33	1-3/4-18UNS	11.13	66

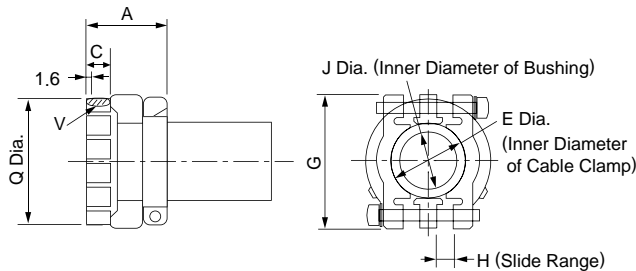
#### (2) MS3108B□□-□□S :

##### L-shaped Plug



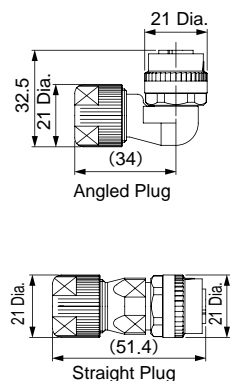
Shell Size	Joint Screw A	Length of Joint Portion J±0.12	Overall Length L max.	Outer Diameter of Joint Nut Q <sup>+0</sup> <sub>-0.38</sub>	R ±0.5	U ±0.5	Cable Clamp Set Screw V	Effective Screw Length W min.
18	1-1/8-18UNEF	18.26	68.27	34.13	20.5	30.2	1-20UNEF	9.53
22	1-3/8-18UNEF	18.26	76.98	40.48	24.1	33.3	1-3/16-18UNEF	9.53
32	2-18UNS	18.26	95.25	56.33	32.8	44.4	1-3/4-18UNS	11.13

#### (3) MS3057-□□A : Cable Clamp with Rubber Bushing



Cable Clamp Type	Applicable Connector Shell Size	Overall Length A±0.7	Effective Screw Length C	E Diameter	G±0.7	H	J Diameter	Set Screw V	Outer Diameter Q±0.7 Dia.	Attached Bushing
MS3057-10A	18	23.8	10.3	15.9	31.7	3.2	14.3	1-20UNEF	30.1	AN3420-10
MS3057-12A	20□22	23.8	10.3	19	37.3	4	15.9	1-3/16-18UNEF	35.0	AN3420-12
MS3057-20A	32	27.8	11.9	31.7	51.6	6.3	23.8	1-3/4-18UNS	51.6	AN3420-20

### • Dimensional Drawings of Brake Power Supply

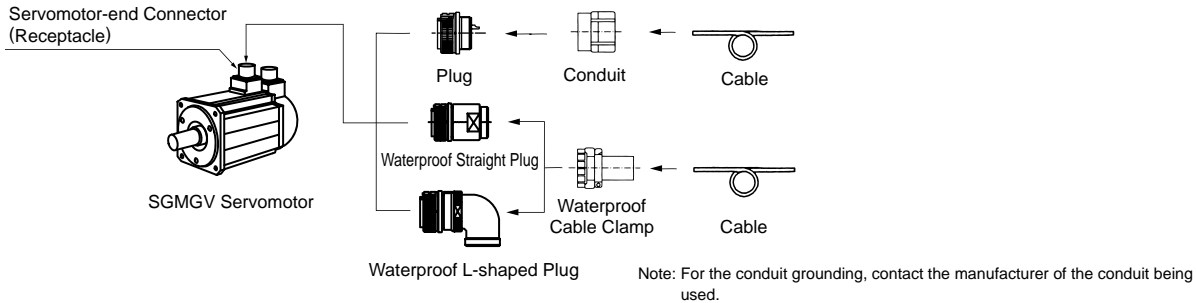


Items	Specifications
Connector Order No.	CM10-□P2S-□-D (Cables are not included.)
Protective Structure	IP67
Manufacturer	DDK Ltd.
Instructions	Angled plug (CM10-AP2S-□-D): TC-573, Straight plug (CM10-SP2S-□-D): TC-583
Electrical Contact Order No.	<p>Electrical contact (100 pcs in one bag)</p> <ul style="list-style-type: none"> <li>□Crimping type: CM10-#22SC(C3)-100, Wire size: AWG16 to 20, Outer diameter of sheath: 1.87 to 2.45 dia., Hand tool: 357J-50448T</li> <li>□Soldered type: CM10-#22SC (S2)-100, Wire size: AWG16 max.</li> </ul> <p>Real contact (4000 pcs on one reel)</p> <ul style="list-style-type: none"> <li>□Crimping type: CM10-#22SC(C3)-4000, Wire size: AWG 16 to 20, Outer diameter of sheath: 1.87 to 2.45 dia., Semi-automatic tool: AP-A50541T (product name for one set), AP-A50541T-1 (product name for applicator)</li> </ul> <p>Note: The product name of the semi-automatic tool refers to the product name of the press and applicator (crimper) as a set.</p>

Selecting Main Circuit Cables (SGMGV-09 to -1E)

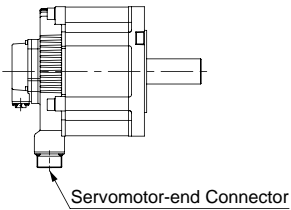
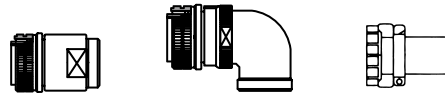
● Protective Structure IP67 and European Safety Standards Compliant Connector

● Connector Configuration



(1) Without Holding Brakes

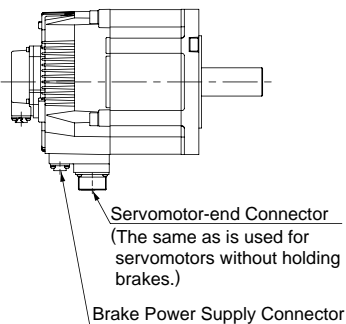
Servomotor-end Connector For 0.85 to 15 kW



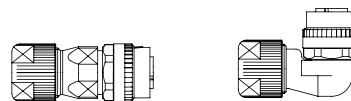
Capacity kW	Servomotor-end Connector (Receptacle)	Cable-end Connector (Not Provided by Yaskawa)			Applicable Cable Diameter (For Reference)	Manufacturer
		Straight Plug	L-shaped Plug	Cable Clamp		
0.85 1.3 1.8	CE05-2A18-10PD-D	CE05-6A18-10SD-D-BSS	CE05-8A18-10SD-D-BAS	CE3057-10A-1-D	10.5 dia. to 14.1 dia.	DDK Ltd.
				CE3057-10A-2-D	8.5 dia. to 11.0 dia.	
				CE3057-10A-3-D	6.5 dia. to 8.7 dia.	
2.9 4.4	CE05-2A22-22PD-D	CE05-6A22-22SD-D-BSS	CE05-8A22-22SD-D-BAS	CE3057-12A-1-D	12.5 dia. to 16.0 dia.	
				CE3057-12A-2-D	9.5 dia. to 13.0 dia.	
				CE3057-12A-3-D	6.8 dia. to 10.0 dia.	
5.5 to 15	CE05-2A32-17PD-D	CE05-6A32-17SD-D-BSS	CE05-8A32-17SD-D-BAS	CE3057-12A-7-D	14.5 dia. to 17.0 dia.	
				CE3057-20A-1-D	22 dia. to 23.8 dia.	
				CE3057-20A-2-D	24 dia. to 26.6 dia.	
				CE3057-20A-3-D	22 dia. to 22.5 dia.	

(2) With Holding Brakes

0.85 to 15 kW servomotors require servomotor-end connector and brake power supply connector. The servomotor-end connector is the same as is used for servomotors without holding brakes.



Brake Power Supply Connector 0.85 to 15 kW



Capacity kW	Servomotor-end Connector (Receptacle)	Cable-end Connector (Not provided by Yaskawa)		Manufacturer
		Straight Plug	L-shaped Plug	
0.85 to 15	CM10-R2P-D	CM10-SP2S-S-D Applicable Cable: 4.0 dia. to 6.0 dia.	CM10-AP2S-S-D Applicable Cable: 4.0 dia. to 6.0 dia.	DDK Ltd.
		CM10-SP2S-M-D Applicable Cable: 6.0 dia. to 9.0 dia.	CM10-AP2S-M-D Applicable Cable: 6.0 dia. to 9.0 dia.	
		CM10-SP2S-L-D Applicable Cable: 9.0 dia. to 11.6 dia.	CM10-AP2S-L-D Applicable Cable: 9.0 dia. to 11.6 dia.	

To order a brake power supply connector kit (0.85 to 15 kW) with the order no. below, contact your Yaskawa representative.

JZSP - CVB9 - S M S2 - E

Connector Type: S: Straight plug, A: L-shaped plug  
 Bush Size<sup>1</sup>: S: Size S (4.0 dia. to 6.0 dia.), M: Size M (6.0 dia. to 9.0 dia.), L: Size L (9.0 dia. to 11.6 dia.)  
 Contact Pin Size: S2: Soldered, C3: Crimping type<sup>2</sup>

<sup>1</sup>: A size-M connector kit is available as a standard equipment.  
<sup>2</sup>: A crimp tool (model: 357J-50448T) by DDK Ltd. is required.

# Selecting Encoder Cables

● Encoder Cables (Max. length: 20 m)

■ Non-Stock Items

Name	Length (L)	Order No.		Specifications	Details
		Standard Type	Flexible Type*		
Encoder Cable with Connectors (For Incremental Encoder)	3 m	JZSP-CVP01-03-E	JZSP-CVP11-03-E	<p>SERVOPACK End      Encoder End</p> <p>Connector (Crimped) (Molex Japan Co., Ltd.)      CM10-SP10S-□-D (DDK Ltd.)</p>	(1)
	5 m	JZSP-CVP01-05-E	JZSP-CVP11-05-E		
	10 m	JZSP-CVP01-10-E	JZSP-CVP11-10-E		
	15 m	JZSP-CVP01-15-E	JZSP-CVP11-15-E		
	20 m	JZSP-CVP01-20-E	JZSP-CVP11-20-E		
	3 m	JZSP-CVP02-03-E	JZSP-CVP12-03-E	<p>SERVOPACK End      Encoder End</p> <p>Connector (Crimped) (Molex Japan Co., Ltd.)      CM10-AP10S-□-D (DDK Ltd.)</p>	
	5 m	JZSP-CVP02-05-E	JZSP-CVP12-05-E		
	10 m	JZSP-CVP02-10-E	JZSP-CVP12-10-E		
15 m	JZSP-CVP02-15-E	JZSP-CVP12-15-E			
Encoder Cable with Connectors (For Absolute Encoder, with a Battery Case)	3 m	JZSP-CVP06-03-E	JZSP-CVP26-03-E	<p>SERVOPACK End      Encoder End</p> <p>Connector (Crimped) (Molex Japan Co., Ltd.)      CM10-SP10S-□-D (DDK Ltd.)</p>	(2)
	5 m	JZSP-CVP06-05-E	JZSP-CVP26-05-E		
	10 m	JZSP-CVP06-10-E	JZSP-CVP26-10-E		
	15 m	JZSP-CVP06-15-E	JZSP-CVP26-15-E		
	20 m	JZSP-CVP06-20-E	JZSP-CVP26-20-E		
	3 m	JZSP-CVP07-03-E	JZSP-CVP27-03-E	<p>SERVOPACK End      Encoder End</p> <p>Connector (Crimped) (Molex Japan Co., Ltd.)      CM10-AP10S-□-D (DDK Ltd.)</p>	
	5 m	JZSP-CVP07-05-E	JZSP-CVP27-05-E		
	10 m	JZSP-CVP07-10-E	JZSP-CVP27-10-E		
15 m	JZSP-CVP07-15-E	JZSP-CVP27-15-E			
SERVOPACK-end Connector Kit		JZSP-CMP9-1-E		<p>Soldered</p> <p>(Molex Japan Co., Ltd.)</p>	(3)
	Encoder-end Connectors for Protective Structure IP67 Straight Plug	JZSP-CVP9-1-E	<p>Connector Specifications</p> <p>Plug: CM10-SP10S-M-D</p> <p>Electrical Contact: (Crimped)**</p> <p>CM10-#22SC(C4)-100</p> <p>Applicable Cable Diameter: 6.0 dia. to 9.0 dia.</p>		<p>Straight plug</p> <p>+ Electrical Contact</p> <p>(DDK Ltd.)</p>
JZSP-CVP9-3-E		<p>Connector Specifications</p> <p>Plug: CM10-SP10S-M-D</p> <p>Electrical Contact: (Soldered)</p> <p>CM10-#22SC(S1)-100</p> <p>Applicable Cable Diameter: 6.0 dia. to 9.0 dia.</p>			
Encoder-end Connectors for Protective Structure IP67 L-shaped Plug	JZSP-CVP9-2-E	<p>Connector Specifications</p> <p>Plug: CM10-AP10S-M-D</p> <p>Electrical Contact: (Crimped)**</p> <p>CM10-#22SC(C4)-100</p> <p>Applicable Cable Diameter: 6.0 dia. to 9.0 dia.</p>		<p>L-shaped plug</p> <p>+ Electrical Contact</p> <p>(DDK Ltd.)</p>	-
	JZSP-CVP9-4-E	<p>Connector Specifications</p> <p>Plug: CM10-AP10S-M-D</p> <p>Electrical Contact: (Soldered)</p> <p>CM10-#22SC(S1)-100</p> <p>Applicable Cable Diameter: 6.0 dia. to 9.0 dia.</p>			
Cables	3 m	JZSP-CMP09-03-E	JZSP-CSP39-03-E		(4)
	5 m	JZSP-CMP09-05-E	JZSP-CSP39-05-E		
	10 m	JZSP-CMP09-10-E	JZSP-CSP39-10-E		
	15 m	JZSP-CMP09-15-E	JZSP-CSP39-15-E		
	20 m	JZSP-CMP09-20-E	JZSP-CSP39-20-E		

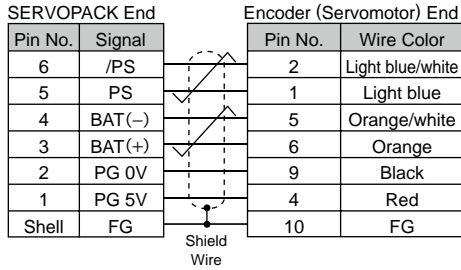
\* Use flexible cables for movable sections such as robot arms.

\*\* A crimp tool (357J-52667T) is required

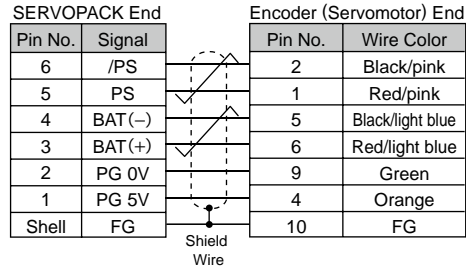
Selecting Encoder Cables

(1) Wiring Specifications for Cable with Connectors (For incremental encoder)

• Standard Type

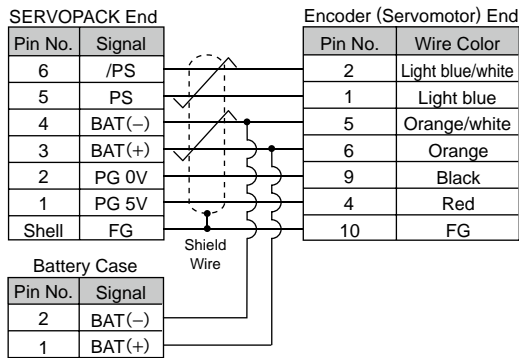


• Flexible Type

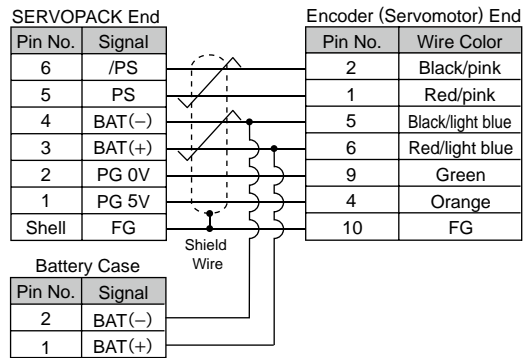


(2) Wiring Specifications for Cable with Connectors (For absolute encoder, with a battery case)

• Standard Type



• Flexible Type



(3) SERVOPACK-end Connector Kit Specifications

Items	Specifications
Order No.	JZSP-CMP9-□□-E
Manufacturer	Molex Japan Co., Ltd.
Connector Model (For standard)	55100-0670 (soldered)
External Dimensions (Units: mm)	

Note: The mating connector model on SERVOPACK: 54280-800  
The mating connector model on servomotor: 55102-0600

(4) Cable Specifications

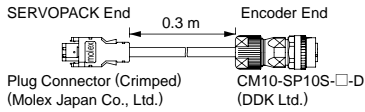
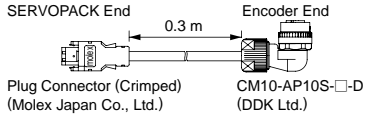
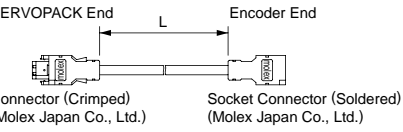
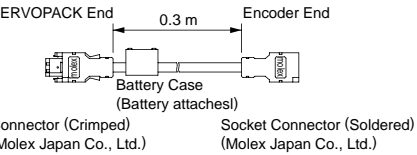
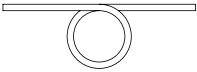
Items	Standard Type	Flexible Type
Order No.*	JZSP-CMP09-□□-E	JZSP-CSP39-□□-E
Cable Length	20 m max.	
Specifications	UL20276 (Max. operating temperature: 80°C) AWG22x2C + AWG24x2P AWG22 (0.33 mm <sup>2</sup> ) Outer diameter of insulating sheath: 1.15 dia. AWG24 (0.20 mm <sup>2</sup> ) Outer diameter of insulating sheath: 1.09 dia.	UL20276 (Max. operating temperature: 80°C) AWG22x2C + AWG24x2P AWG22 (0.33 mm <sup>2</sup> ) Outer diameter of insulating sheath: 1.35 dia. AWG24 (0.20 mm <sup>2</sup> ) Outer diameter of insulating sheath: 1.21 dia.
Finished Dimensions	6.5 dia.	6.8 dia.
Internal Configuration and Lead Color		
Yaskawa Standards Specifications (Standard Length)	Cable length: 5 m, 10 m, 15 m, 20 m	

\*: Specify the cable length in □□ of order no.  
Example: JZSP-CMP09-05-E (5 m)

## Selecting Encoder Cables

### ● Encoder Cables (For extending from 30 to 50 m)

■ Limited Stock Items

Name	Length	Order No.	Specifications	Details
① Encoder-end Cables (For incremental and absolute encoder)	0.3 m	JZSP-CVP01-E	 <p>SERVOPACK End      0.3 m      Encoder End</p> <p>Plug Connector (Crimped)      CM10-SP10S-□-D (Molex Japan Co., Ltd.)      (DDK Ltd.)</p>	(1)
		JZSP-CVP02-E	 <p>SERVOPACK End      0.3 m      Encoder End</p> <p>Plug Connector (Crimped)      CM10-AP10S-□-D (Molex Japan Co., Ltd.)      (DDK Ltd.)</p>	
② Cable with Connectors (For incremental and absolute encoder)	30 m	JZSP-UCMP00-30-E	 <p>SERVOPACK End      L      Encoder End</p> <p>Connector (Crimped)      Socket Connector (Soldered) (Molex Japan Co., Ltd.)      (Molex Japan Co., Ltd.)</p>	(2)
	40 m	JZSP-UCMP00-40-E		
	50 m	JZSP-UCMP00-50-E		
③ Cable with a Battery Case (Required when an absolute encoder is used.)	0.3 m	JZSP-CSP12-E*	 <p>SERVOPACK End      0.3 m      Encoder End</p> <p>Battery Case (Battery attaches!)</p> <p>Connector (Crimped)      Socket Connector (Soldered) (Molex Japan Co., Ltd.)      (Molex Japan Co., Ltd.)</p>	(3)
④ Cables	30 m	JZSP-CMP19-30-E		(4)
	40 m	JZSP-CMP19-40-E		
	50 m	JZSP-CMP19-50-E		

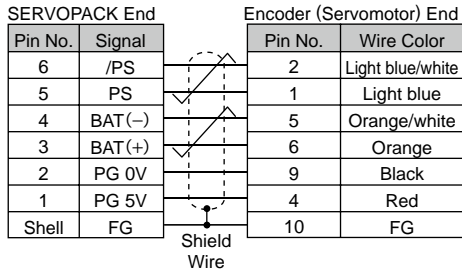
\*: When using an incremental encoder or using an absolute encoder with a battery connected to the host controller, no battery case is required.



Selecting Encoder Cables

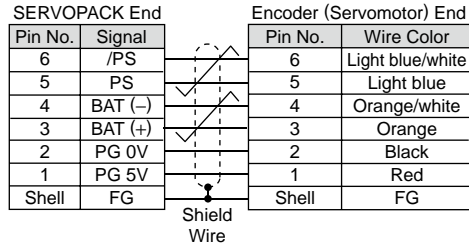
Rotary Servomotors

(1) Wiring Specifications for Encoder-end Cable  
(For incremental and absolute encoder)

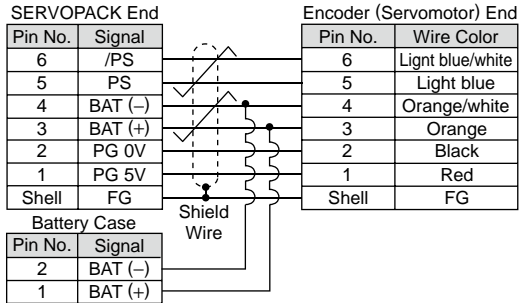


Note: The signals BAT(+) and BAT(-) are used when using an absolute encoder.

(2) Wiring Specifications for Cable with Connectors  
(For incremental and absolute encoder)



(3) Wiring Specifications for Cable with a Battery Case  
(For absolute encoder)



(4) Cable Specifications

Item	Standard Type
Order No.*	JZSP-CMP19-□□-E
Cable Length	50 m max.
Specifications	UL20276 (Max. operating temperature: 80°C) AWG16×2C+AWG26×2P AWG16 (1.31 mm <sup>2</sup> ) Outer diameter of insulating sheath: 2.0 dia. AWG26 (0.13 mm <sup>2</sup> ) Outer diameter of insulating sheath: 0.91 dia.
Finished Dimensions	6.8 dia.
Internal Configuration and Lead Colors	
Yaskawa Standard Specifications (Standard Length)	Cable length: 30 m, 40 m, 50 m

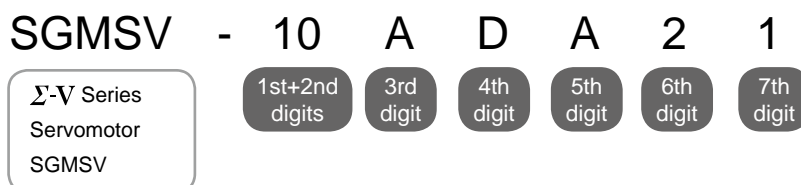
\*: Specify the cable length in □□ of order no.  
Example: JZSP-CMP19-30-E (30 m)

# Rotary Servomotors

# SGMSV



## Model Designations



### 1st+2nd digits Rated Output

Code	Specifications
10	1.0 kW
15	1.5 kW
20	2.0 kW
25	2.5 kW
30	3.0 kW
40	4.0 kW
50	5.0 kW
70	7.0 kW*

\*: Available only for 200-VAC models without brake.

### 3rd digit Power Supply Voltage

Code	Specifications
A	200 VAC
D	400 VAC

### 4th digit Serial Encoder

Code	Specifications
3	20-bit absolute
D	20-bit incremental

### 5th digit Design Revision Order

Code	Specifications
A	Standard

### 6th digit Shaft End

Code	Specifications
2	Straight without key
6	Straight with key and tap

### 7th digit Options

Code	Specifications
1	Without options
B	With holding brake (90 VDC)
C	With holding brake (24 VDC)
D	With oil seal and holding brake (90 VDC)
E	With oil seal and holding brake (24 VDC)
S	With oil seal

Limited Stock Items    Non-Stock Items

## Features

- Super high power
- Wide selection: 1.0 kW to 7.0 kW capacity, holding brake option
- Mounted serial encoder: 20 bits, high resolution
- Protective structure: IP67 (Not including the IP22 compliant enclosure for 7.0 kW motor)

## Application Examples

- Chip mounters
- PCB drilling stations
- Machine tool feeders

## Configurations of connectors for the main circuit



### SGMSV-10 to -70

The connectors for these models are round. The connectors specified by Yaskawa are required. Note that the connectors vary depending on the operation environment of servomotors.

Two types of connectors are available.

- Standard connectors  
For details, refer to page 83 to 85.
- Protective structure IP67 and European Safety Standards compliant connectors  
For details, refer to page 86 and 87.

Note: Connectors are not provided by Yaskawa.

## Ratings and Specifications

Time Rating: Continuous  
 Vibration Class: V15  
 Insulation Resistance: 500 VDC, 10 MΩ min.  
 Ambient Temperature: 0 to 40°C  
 Excitation: Permanent magnet  
 Mounting: Flange-mounted  
 Thermal Class: F

Withstand Voltage: 1500 VAC for one minute (200-V class)  
 1800 VAC for one minute (400-V class)

Enclosure: Totally enclosed, self-cooled, IP67  
 (except for shaft opening)

Note: IP22 for SGMSV-70 servomotors.

Ambient Humidity: 20% to 80% (no condensation)

Drive Method: Direct drive

Rotation Direction: Counterclockwise (CCW) with forward run reference  
 when viewed from the load side

### 200-V Class

Servomotor Model: SGMSV-□□□□		10A	15A	20A	25A	30A	40A	50A	70A
Rated Output*	kW	1.0	1.5	2.0	2.5	3.0	4.0	5.0	7.0
Rated Torque*	N·m	3.18	4.90	6.36	7.96	9.80	12.6	15.8	22.3
Instantaneous Peak Torque*	N·m	9.54	14.7	19.1	23.9	29.4	37.8	47.6	54
Rated Current*	$A_{rms}$	5.7	9.3	12.1	13.8	17.9	25.4	27.6	38.3
Instantaneous Max. Current*	$A_{rms}$	17	28	42	44.5	56	77	84	105
Rated Speed*	$min^{-1}$	3000							
Max. Speed*	$min^{-1}$	6000	5000						
Torque Constant	N·m/ $A_{rms}$	0.636	0.590	0.561	0.610	0.582	0.519	0.604	0.604
Rotor Moment of Inertia	$\times 10^{-4}$ kg·m <sup>2</sup>	1.74 (1.99)	2.00 (2.25)	2.47 (2.72)	3.19 (3.44)	7.00 (9.2)	9.60 (11.8)	12.3 (14.5)	12.3
Rated Power Rate*	kW/s	58 (51)	120 (107)	164 (149)	199 (184)	137 (104)	165 (135)	203 (172)	404
Rated Angular Acceleration*	rad/s <sup>2</sup>	18300 (16000)	24500 (21800)	25700 (23400)	25000 (23100)	14000 (10700)	13100 (10700)	12800 (10900)	18100
Applicable SERVOPACK	SGDV-□□□□	7R6A	120A	180A	200A	200A	330A	330A	550A

\*: These items and torque-motor speed characteristics quoted in combination with a SERVOPACK are at an armature winding temperature of 20°C.

Notes: 1 The values in parentheses are for servomotors with holding brakes.

2 The above specifications show the values under the cooling condition when the following heat sinks are mounted on the servomotors.

SGMSV-10A/-15A/-20A/-25A : 300 mm×300 mm×12 mm (aluminum)

SGMSV-30A/-40A/-50A/-70A : 400 mm×400 mm×20 mm (aluminum)

### 400-V Class

Servomotor Model: SGMSV-□□□□		10D	15D	20D	25D	30D	40D	50D
Rated Output*	kW	1.0	1.5	2.0	2.5	3.0	4.0	5.0
Rated Torque*	N·m	3.18	4.9	6.36	7.96	9.8	12.6	15.8
Instantaneous Peak Torque*	N·m	9.54	14.7	19.1	23.9	29.4	37.8	47.6
Rated Current*	$A_{rms}$	2.8	4.7	6.1	7.4	8.9	12.5	13.8
Instantaneous Max. Current*	$A_{rms}$	8.5	14	20	25	28	38	42
Rated Speed*	$min^{-1}$	3000						
Max. Speed*	$min^{-1}$	6000	5000					
Torque Constant	N·m/ $A_{rms}$	1.27	1.23	1.18	1.15	1.16	1.06	1.21
Rotor Moment of Inertia	$\times 10^{-4}$ kg·m <sup>2</sup>	1.74 (1.99)	2.00 (2.25)	2.47 (2.72)	3.19 (3.44)	7.00 (9.2)	9.60 (11.8)	12.3 (14.5)
Rated Power Rate*	kW/s	58 (51)	120 (107)	164 (149)	199 (184)	137 (104)	165 (135)	203 (172)
Rated Angular Acceleration*	rad/s <sup>2</sup>	18300 (16000)	24500 (21800)	25700 (23400)	25000 (23100)	14000 (10700)	13100 (10700)	12800 (10900)
Applicable SERVOPACK	SGDV-□□□□	3R5D	5R4D	8R4D	120D	120D	170D	170D

\*: These items and torque-motor speed characteristics quoted in combination with a SERVOPACK are at an armature winding temperature of 20°C.

Notes: 1 The values in parentheses are for servomotors with holding brakes.

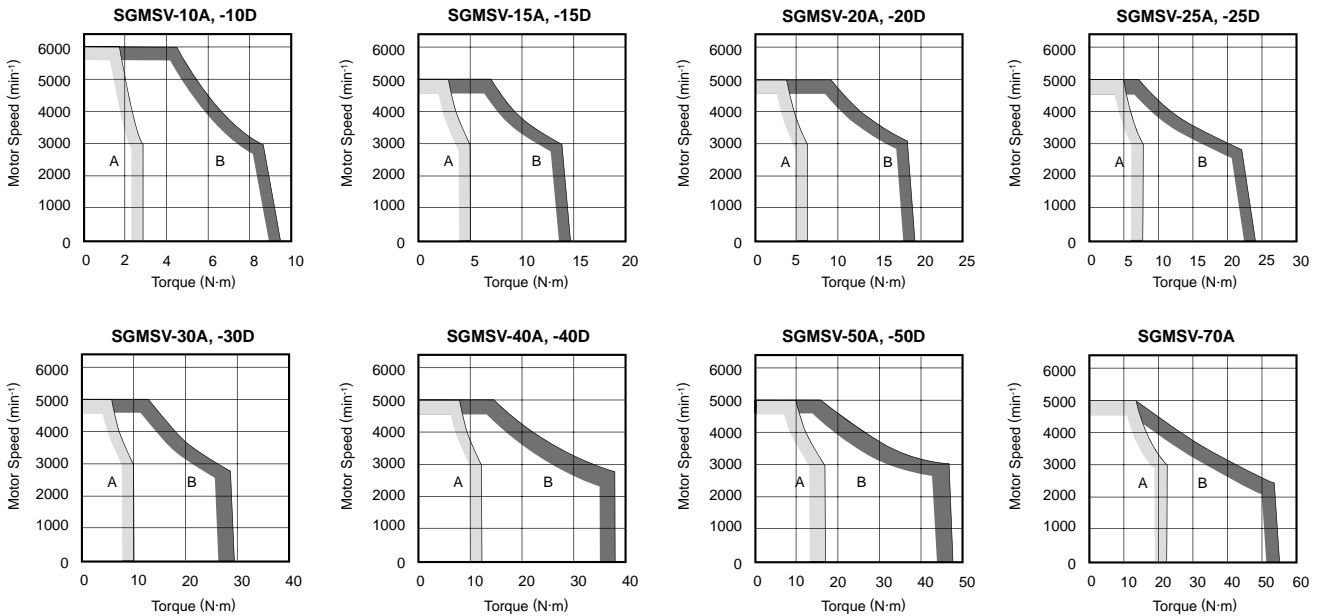
2 The above specifications show the values under the cooling condition when the following heat sinks are mounted on the servomotors.

SGMSV-10D/-15D/-20D/-25D : 300 mm×300 mm×12 mm (aluminum)

SGMSV-30D/-40D/-50D : 400 mm×400 mm×20 mm (aluminum)

**Ratings and Specifications**

● Torque-Motor Speed Characteristics(200 V/400 V) **A**: Continuous Duty Zone **B**: Intermittent Duty Zone (Note1)



Note: 1 When the effective torque during intermittent duty is within the rated torque, the servomotor can be used within the intermittent duty zone.  
 2 When the main circuit cable length exceeds 20 m, note that the intermittent duty zone of the Torque-Motor Speed Characteristics will shrink as the line-to-line voltage drops.

● Holding Brake Electrical Specifications

Servomotor Model	Servomotor Rated Output kW	Holding Brake Specifications				
		Holding Torque N·m	Rated Voltage 24 VDC		Rated Voltage 90 VDC	
			Capacity W	Rated Current A (at 20°C)	Capacity W	Rated Current A (at 20°C)
SGMSV-10	1.0	7.84	12	0.5	12	0.13
SGMSV-15	1.5	7.84	12	0.5	12	0.13
SGMSV-20	2.0	7.84	12	0.5	12	0.13
SGMSV-25	2.5	10	12	0.5	12	0.13
SGMSV-30	3.0	20	10	0.41	10	0.11
SGMSV-40	4.0	20	10	0.41	10	0.11
SGMSV-50	5.0	20	10	0.41	10	0.11

Notes: 1 The holding brake is only used to hold the load and cannot be used to stop the servomotor.  
 2 The holding brake open time and holding brake operation time vary depending on which discharge circuit is used. Make sure holding brake open time and holding brake operation time are correct for your servomotor.  
 3 A 24 VDC power supply is to be provided by customers.  
 4 For information on a 90 VDC power supply, refer to page 338.

## Ratings and Specifications

### ● Allowable Load Moment of Inertia at the Motor Shaft

The rotor moment of inertia ratio is the value for a servomotor without a gear and a holding brake.

Servomotor Model	Servomotor Rated Output	Allowable Load Moment of Inertia (Rotor Moment of Inertia Ratio)
SGMSV-10 to -70	1.0 to 7.0 kW	5 times

### ● Load Moment of Inertia

The larger the load moment of inertia, the worse the movement response.

The allowable load moment of inertia ( $J_L$ ) depends on motor capacity, as shown above. This value is provided strictly as a guideline and results may vary depending on servomotor drive conditions.

Use the AC servo drive capacity selection program SigmaJunmaSize+ to check the operation conditions.

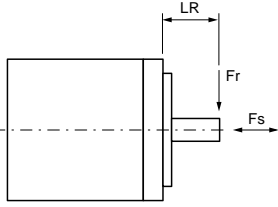
The program can be downloaded for free from our web site (<http://www.e-mechatronics.com/>).

An overvoltage alarm (A.400) is likely to occur during deceleration if the load moment of inertia exceeds the allowable load moment of inertia. SERVOPACKs with a built-in regenerative resistor may generate a regenerative overload alarm (A.320). Take one of the following steps if this occurs.

- Reduce the torque limit.
- Reduce the deceleration rate.
- Reduce the maximum speed.
- Install an external regenerative resistor if the alarm cannot be cleared using the steps above. Refer to Regenerative Resistors on page 339.

### ● Allowable Radial and Thrust Loads

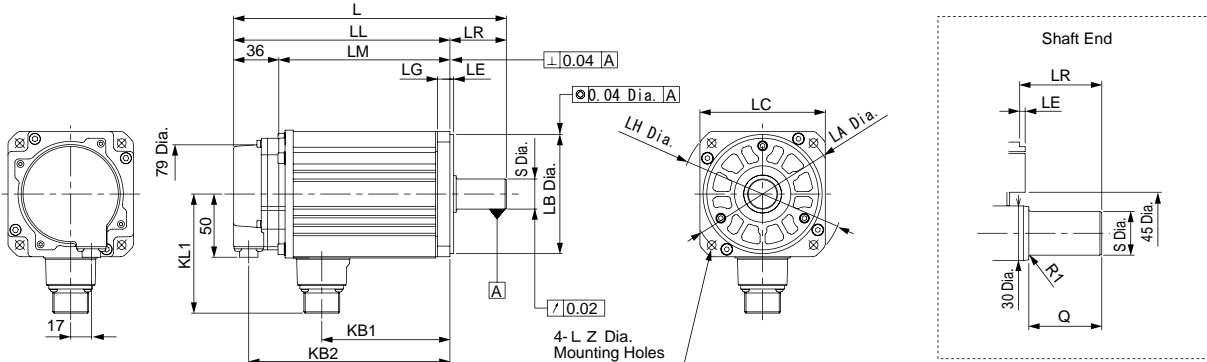
Design the mechanical system so thrust and radial loads applied to the servomotor shaft end during operation fall within the ranges shown in the table.

Servomotor Model		Allowable Radial Load ( $F_r$ ) N	Allowable Thrust Load ( $F_s$ ) N	LR mm	Reference Diagram
SGMSV-	10□□A21	686	196	45	
	15□□A21				
	20□□A21				
	25□□A21	980	392	63	
	30□□A21				
	40□□A21	1176	392	63	
	50□□A21				
70□□A21					

## External Dimensions Units: mm

● Without Holding Brakes

(1) 1.0 to 5.0 kW

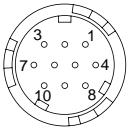


Note: For the specifications of the other shaft ends, refer to page 79.

Model SGMSV-	L	LL	LM	LR	KB1	KB2	KL1	Flange Face Dimensions							Shaft End Dimensions		Approx. Mass kg	
								LA	LB	LC	LE	LF	LG	LH	LZ	S		Q
10□□A21	192	147	111	45	76	135	96	115	95 <sup>0</sup> <sub>-0.035</sub>	100	3	3	10	130	7	24 <sup>0</sup> <sub>-0.013</sub>	40	4.1
15□□A21	202	157	121	45	86	145	96	115	95 <sup>0</sup> <sub>-0.035</sub>	100	3	3	10	130	7	24 <sup>0</sup> <sub>-0.013</sub>	40	4.6
20□□A21	218	173	137	45	102	161	96	115	95 <sup>0</sup> <sub>-0.035</sub>	100	3	3	10	130	7	24 <sup>0</sup> <sub>-0.013</sub>	40	5.4
25□□A21	241	196	160	45	125	184	96	115	95 <sup>0</sup> <sub>-0.035</sub>	100	3	3	10	130	7	24 <sup>0</sup> <sub>-0.013</sub>	40	6.8
30□□A21	259	196	160	63	124	184	114	145	110 <sup>0</sup> <sub>-0.035</sub>	130	6	6	12	165	9	28 <sup>0</sup> <sub>-0.013</sub>	55	10.5
40□□A21	296	233	197	63	161	221	114	145	110 <sup>0</sup> <sub>-0.035</sub>	130	6	6	12	165	9	28 <sup>0</sup> <sub>-0.013</sub>	55	13.5
50□□A21	336	273	237	63	201	261	114	145	110 <sup>0</sup> <sub>-0.035</sub>	130	6	6	12	165	9	28 <sup>0</sup> <sub>-0.013</sub>	55	16.5

Note: Models with oil seals are of the same configuration.

· Cable Specifications for Encoder-end Connector (20-bit Encoder)



Receptacle: CM10-R10P-D  
 Applicable plug (To be provided by the customer)  
 Plug: CM10-AP10S-□-D (Angle)  
 CM10-SP10S-□-D (Straight)  
 (Boxes □ indicate a value that varies, depending on cable size.)  
 Manufacturer: DDK Ltd.

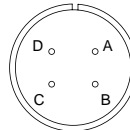
With an Absolute Encoder

1	PS	6	BAT (+)
2	/PS	7	-
3	-	8	-
4	PG 5V	9	PG 0V
5	BAT (-)	10	FG (Frame ground)

With an Incremental Encoder

1	PS	6	-
2	/PS	7	-
3	-	8	-
4	PG 5V	9	PG 0V
5	-	10	FG (Frame ground)

· Cable Specifications for Servomotor-end Connector



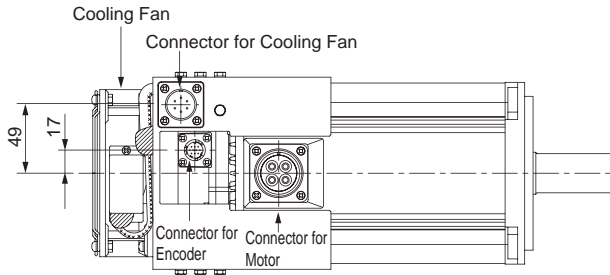
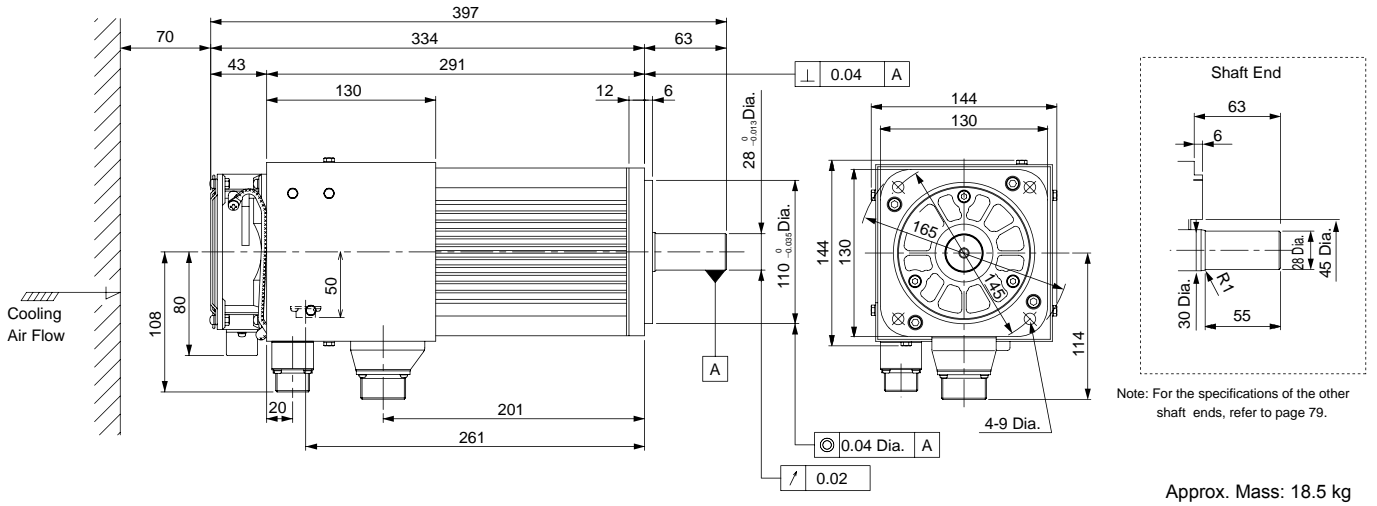
A	Phase U
B	Phase V
C	Phase W
D	FG (Frame ground)

· SGMSV-10 to -25  
 Manufacturer: DDK Ltd.  
 · SGMSV-30 to -50  
 Manufacturer: Japan Aviation Electronics Industry, Ltd.

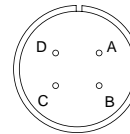
# External Dimensions Units: mm

## (2) 7.0 kW (only for 200 V servomotors)

- Notes: 1 Leave a minimum space of 70 mm around the servomotor to allow for a sufficient amount of cooling air.  
 2 Cooling Fan : single-phase 220 V, 50/60Hz, 17/15 W, 0.11/0.09 A



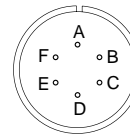
### · Cable Specifications for Servomotor-end Connector



A	Phase U
B	Phase V
C	Phase W
D	FG (Frame ground)

Manufacturer: Japan Aviation Electronics Industry, Ltd.

### · Cable Specifications for Fan-end Connector

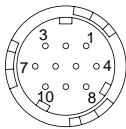


Receptacle: MS3102A14S-6P  
 Applicable plug  
 Plug: MS3108B14S-6S  
 Cable clamp: MS3057-6A

Note: Servomotor-end connectors (receptacles) are RoHS-compliant. Contact the respective connector manufacturers for RoHS-compliant cable-end connectors.

- Specifications of Cooling Fan
  - Single-phase 220 V
  - 50/60 Hz
  - 17/15 W
  - 0.11/0.09 A
- Specifications of rotation error detector
  - Contact Capacity:
    - Max. allowable voltage: 350 V (AC, DC)
    - Max. allowable current: 120 mA (AC, DC)
    - Max. controllable power: 360 mW
  - Alarm Contact:
    - ON at normal fan rotation.
    - OFF at 1680±100 min<sup>-1</sup> or less.
    - (OFF during 3 seconds at start-up)

### · Cable Specifications for Encoder-end Connector (20-bit Encoder)



Receptacle: CM10-R10P-D  
 Applicable plug (To be provided by the customer)  
 Plug: CM10-SP10S-□-D (Straight)  
 (Boxes (□) indicate a value that varies, depending on cable size.)  
 Use straight plugs to avoid interference with the fan cover.  
 Manufacturer: DDK Ltd.

A	Fan motor
B	Fan motor
C	—
D	Alarm terminal
E	Alarm terminal
F	FG (Frame ground)

### With an Absolute Encoder

1	PS	6	BAT (+)
2	/PS	7	—
3	—	8	—
4	PG 5V	9	PG 0V
5	BAT (-)	10	FG (Frame ground)

### With an Incremental Encoder

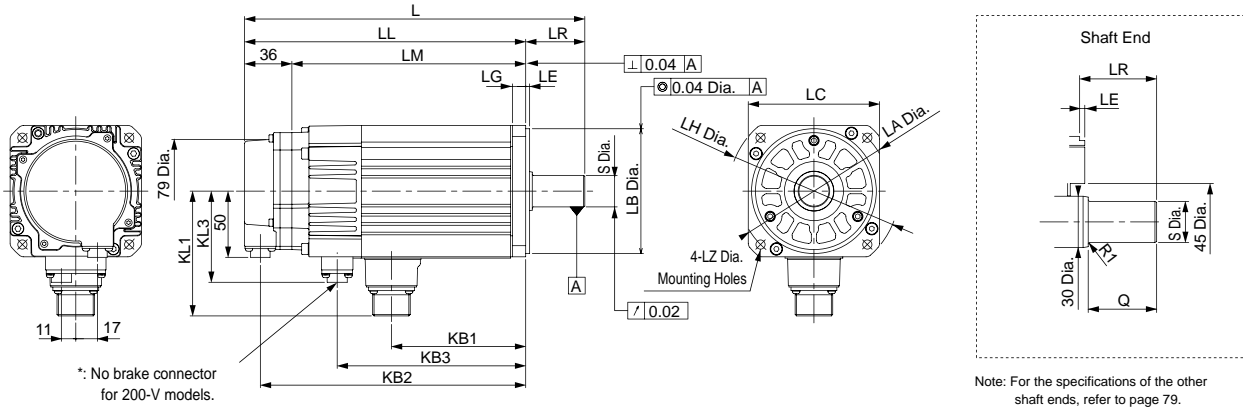
1	PS	6	—
2	/PS	7	—
3	—	8	—
4	PG 5V	9	PG 0V
5	—	10	FG (Frame ground)



## External Dimensions Units: mm

### ● With Holding Brakes

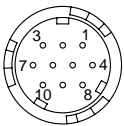
(1) 1.0 to 5.0 kW



Model SGMSV-	L	LL	LM	LR	KB1		KB2	KB3*	KL1	KL3*	Flange Face Dimensions						Shaft End Dimensions		Approx. Mass □			
					200V	400V					LA	LB	LC	LE	LF	LG	LH	LZ		S	Q	
10□□A2□	233	188	152	45	67	76	176	118	102	96	69	115	95 <sup>0</sup> <sub>0.035</sub>	100	3	3	10	130	7	24 <sup>0</sup> <sub>0.013</sub>	40	5.5
15□□A2□	243	198	162	45	77	86	186	128	102	96	69	115	95 <sup>0</sup> <sub>0.035</sub>	100	3	3	10	130	7	24 <sup>0</sup> <sub>0.013</sub>	40	6
20□□A2□	259	214	178	45	93	102	202	144	102	96	69	115	95 <sup>0</sup> <sub>0.035</sub>	100	3	3	10	130	7	24 <sup>0</sup> <sub>0.013</sub>	40	6.8
25□□A2□	292	247	211	45	116	125	225	177	102	96	69	115	95 <sup>0</sup> <sub>0.035</sub>	100	3	3	10	130	7	24 <sup>0</sup> <sub>0.013</sub>	40	8.7
30□□A2□	295	232	196	63	114	124	220	176	119	114	81	145	110 <sup>0</sup> <sub>0.035</sub>	130	6	6	12	165	9	28 <sup>0</sup> <sub>0.013</sub>	55	13
40□□A2□	332	269	233	63	151	161	257	213	119	114	81	145	110 <sup>0</sup> <sub>0.035</sub>	130	6	6	12	165	9	28 <sup>0</sup> <sub>0.013</sub>	55	16
50□□A2□	372	309	273	63	191	201	297	253	119	114	81	145	110 <sup>0</sup> <sub>0.035</sub>	130	6	6	12	165	9	28 <sup>0</sup> <sub>0.013</sub>	55	19

\*: No brake connector for 200-V models (there are brake terminals on the servomotor-end connectors).  
Note: Models with oil seals are of the same configuration.

#### · Cable Specifications for Encoder-end Connector (20-bit Encoder)



Receptacle: CM10-R10P-D  
Applicable plug (To be provided by the customer)  
Plug: CM10-AP10S-□-D (Angle)  
CM10-SP10S-□-D (Straight)  
(Boxes (□) indicate a value that varies, depending on cable size.)  
Manufacturer: DDK Ltd.

With an Absolute Encoder

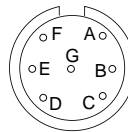
1	PS	6	BAT (+)
2	/PS	7	-
3	-	8	-
4	PG 5V	9	PG 0V
5	BAT (-)	10	FG (Frame ground)

With an Incremental Encoder

1	PS	6	-
2	/PS	7	-
3	-	8	-
4	PG 5V	9	PG 0V
5	-	10	FG (Frame ground)

#### 200-V Class

##### · Cable Specifications for Servomotor-end Connector



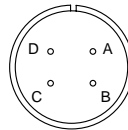
A	Phase U
B	Phase V
C	Phase W
D	FG (Frame ground)
E	Brake terminal
F	Brake terminal
G	-

Manufacturer: Japan Aviation Electronics Industry, Ltd.

Note: No polarity for connection to the brake terminals

#### 400-V Class

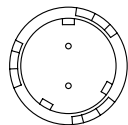
##### · Cable Specifications for Servomotor-end Connector



A	Phase U
B	Phase V
C	Phase W
D	FG (Frame ground)

· SGMSV-10 to -25  
Manufacturer: DDK Ltd.  
· SGMSV-30 to -50  
Manufacturer: Japan Aviation Electronics Industry, Ltd.

##### · Cable Specifications for Brake-end Connector



Receptacle: CM10-R2P-D  
Applicable plug (To be provided by the customer)  
Plug: CM10-AP2S-□-D (Angle)  
CM10-SP2S-□-D (Straight)  
(Boxes (□) indicate a value that varies, depending on cable size.)  
Manufacturer: DDK Ltd.

Brake terminal
Brake terminal

Note: No polarity for connection to the brake terminals

**External Dimensions** Units: mm

● Shaft End

SGMSV - □□□□□□□

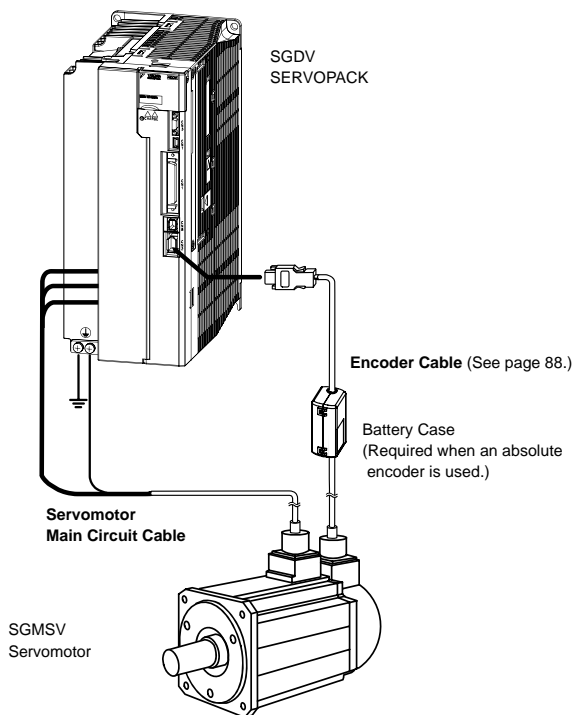
Code	Specifications	Remarks
2	Straight without key	Optional/Non-stock
6	Straight with key and tap for one location (Key slot is JIS B1301-1996 fastening type)	Standard/Stock

Code	Specifications	Shaft End	Model SGMSV-							
			10	15	20	25	30	40	50	70
2	Straight without Key		LR	45			63			
			Q	40			55			
			S	24 <sup>0</sup> <sub>-0.013</sub>			28 <sup>0</sup> <sub>-0.013</sub>			
6	Straight with Key and Tap		LR	45			63			
			Q	40			55			
			QK	32			50			
			S	24 <sup>0</sup> <sub>-0.013</sub>			28 <sup>0</sup> <sub>-0.013</sub>			
			W	8						
			T	7						
			U	4						
P	M8 Screw Depth16									

Selecting Cables

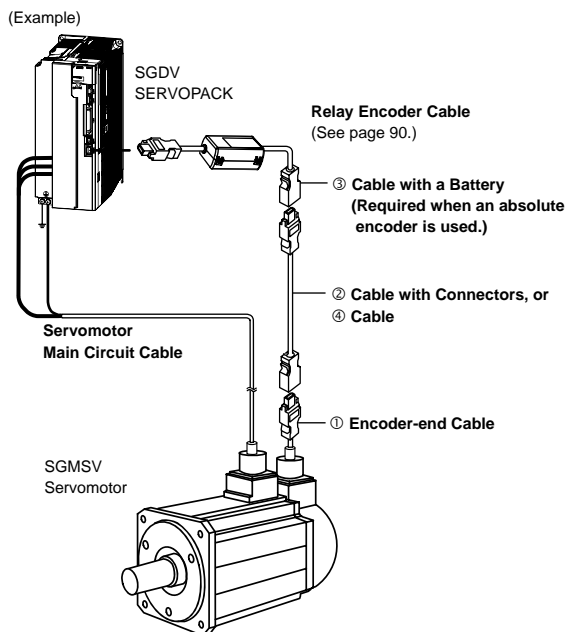
● Cables Connections

- Standard Wiring (Max. encoder cable length: 20 m)



- Encoder Cable Extension from 30 to 50 m

(See page 90.)

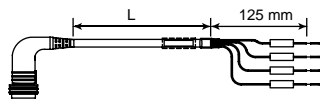
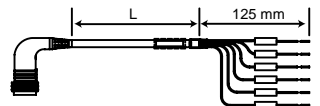
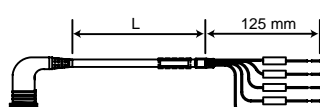
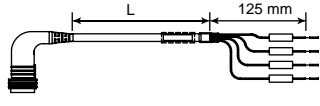
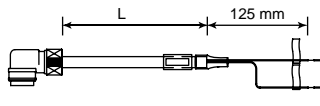
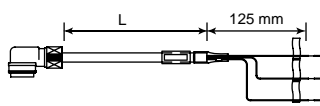


**CAUTION**

- Separate the servomotor main circuit cable wiring from the I/O signal cable and encoder cable at least 30 cm, and do not bundle or run them in the same duct.
- When the main circuit cable length exceeds 20 m, note that the intermittent duty zone of the Torque-Motor Speed Characteristics will shrink as the line-to-line voltage drops.

# Selecting Cables

## ● Servomotor Main Circuit Cables

Voltage	Name	Servomotor Rated Output	Length	Order No.		Specifications	Details		
				Value Type	Premium Type <sup>2</sup>				
200V	Servomotor Power Cable (for Servomotor without Holding Brake)	1.0kW to 2.5kW	3 m	B1EV-03(A)-E	B1EP-03(A)-E		(1)		
			5 m	B1EV-05(A)-E	B1EP-05(A)-E				
			10 m	B1EV-10(A)-E	B1EP-10(A)-E				
			15 m	B1EV-15(A)-E	B1EP-15(A)-E				
		3.0kW	3 m	B3EV-03(A)-E	B3EP-03(A)-E				
			5 m	B3EV-05(A)-E	B3EP-05(A)-E				
			10 m	B3EV-10(A)-E	B3EP-10(A)-E				
			15 m	B3EV-15(A)-E	B3EP-15(A)-E				
		4.0 to 7.0kW <sup>4</sup>	3 m	B4EV-03(A)-E	B4EP-03(A)-E				
			5 m	B4EV-05(A)-E	B4EP-05(A)-E				
			10 m	B4EV-10(A)-E	B4EP-10(A)-E				
			15 m	B4EV-15(A)-E	B4EP-15(A)-E				
	Servomotor Power Cable (for Servomotor with Holding Brake) <sup>3</sup>	1.0kW to 2.5kW	3 m	BABEV-03(A)-E	BABEP-03(A)-E		(5)		
			5 m	BABEV-05(A)-E	BABEP-05(A)-E				
			10 m	BABEV-10(A)-E	BABEP-10(A)-E				
			15 m	BABEV-15(A)-E	BABEP-15(A)-E				
		3.0kW	3 m	BCBEV-03(A)-E	BCBEP-03(A)-E				
			5 m	BCBEV-05(A)-E	BCBEP-05(A)-E				
			10 m	BCBEV-10(A)-E	BCBEP-10(A)-E				
			15 m	BCBEV-15(A)-E	BCBEP-15(A)-E				
4.0 to 5.0kW <sup>4</sup>		3 m	BDBEV-03(A)-E	BDBEP-03(A)-E					
		5 m	BDBEV-05(A)-E	BDBEP-05(A)-E					
		10 m	BDBEV-10(A)-E	BDBEP-10(A)-E					
		15 m	BDBEV-15(A)-E	BDBEP-15(A)-E					
Fan Cable	7.0kW	3 m	BFEV-03(A)-E	-		(4)			
		5 m	BFEV-05(A)-E	-					
		10 m	BFEV-10(A)-E	-					
		15 m	BFEV-15(A)-E	-					
		20 m	BFEV-20(A)-E	-					
400V	Servomotor Power Cable (for Servomotor with or without Holding Brake) <sup>1</sup>	1.0kW to 2.5kW	3 m	B1EV-03(A)-E	B1EP-03(A)-E		(1)		
			5 m	B1EV-05(A)-E	B1EP-05(A)-E				
			10 m	B1EV-10(A)-E	B1EP-10(A)-E				
			15 m	B1EV-15(A)-E	B1EP-15(A)-E				
		3.0 to 5.0kW	3 m	B3EV-03(A)-E	B3EP-03(A)-E				
			5 m	B3EV-05(A)-E	B3EP-05(A)-E				
			10 m	B3EV-10(A)-E	B3EP-10(A)-E				
			15 m	B3EV-15(A)-E	B3EP-15(A)-E				
	Holding Brake Cable	1kW to 5kW	3 m	BBEV-03(A)-E	-		(2)		
			5 m	BBEV-05(A)-E	-				
			10 m	BBEV-10(A)-E	-				
			15 m	BBEV-15(A)-E	-				
			20 m	BBEV-20(A)-E	-				
			3 m	-	BBEP-03(A)-E				(3)
			5 m	-	BBEP-05(A)-E				
10 m	-	BBEP-10(A)-E							
15 m	-	BBEP-15(A)-E							

\*1 400V Servomotors with holding brakes require a holding brake cable in addition to a power cable.

\*2 Premium cables have a braided cable shield and are intended for use in applications that require CE. Premium cables have a continuous flex rating and are intended for use in movable sections such as robot arms.

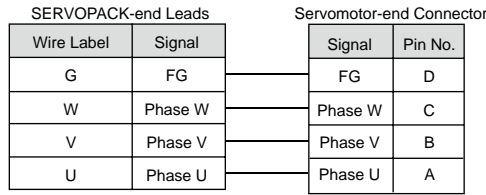
\*3 200V servomotors with holding brakes use a combined power and brake cable

\*4 The 7.0kW, 200V servomotor requires a separate fan cable. 7.0kW units are not available with holding brake.

Selecting Cables

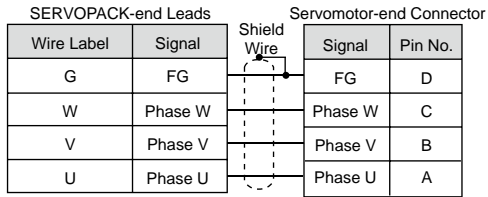
(1) Wiring Specifications for 200V and 400V Servomotors without Holding Brakes\*

● Value Type



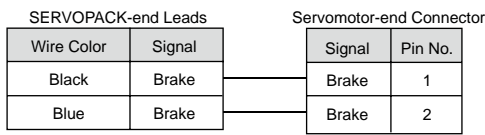
\*400V servomotors with holding brakes require a separate holding brake cable. See (2) and (3).

● Premium Type



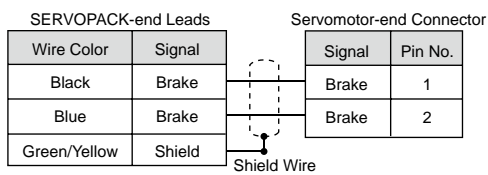
\*400V servomotors with holding brakes require a separate holding brake cable. See (2) and (3).

(2) Wiring Specifications for the Value Type Brake Cable for 400V Servomotors



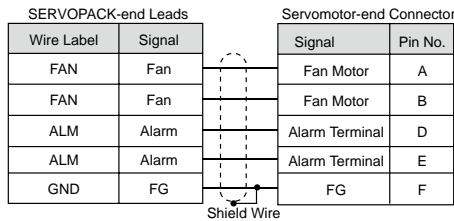
Note: No polarity for connection to a holding brake.

(3) Wiring Specifications for the Premium Type Brake Cable for 400V Servomotors



Note: No polarity for connection to a holding brake.

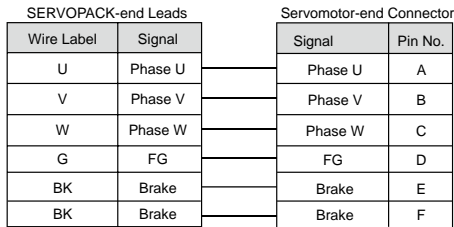
(4) Wiring Specifications for the Fan on 200V 7.0kW Servomotors



Notes:  
No polarity for connection to a fan.  
No polarity for connection to an alarm circuit.

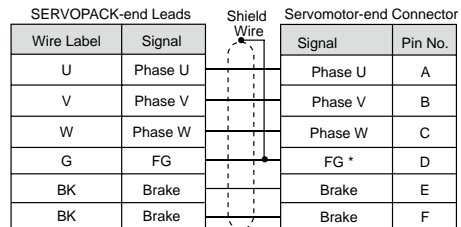
(5) Wiring Specifications for 200V Servomotors with Holding Brakes

● Value Type



Note: No polarity for connection to a holding brake.

● Premium Type



Note: No polarity for connection to a holding brake.  
\* For 200V Premium Cable, shield is connected to FG wire on the servomotor-end of the cable.

● Customer Cable Assembly

Customers may assemble the servomotor's main circuit cables and attach connectors to connect the SERVOPACKS and the SGMSV servomotors.

The connectors for these models are round. The connectors specified by Yaskawa are required. Note that the connectors vary depending on the operation environment of servomotors.

Two types of connectors are available.

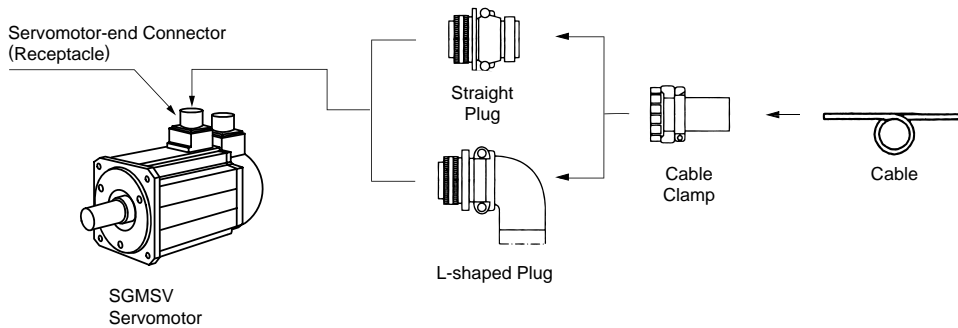
- Standard connectors
- Protective structure IP67 and European Safety Standards compliant connectors

Yaskawa does not specify which cables to use. Use appropriate cables for the connectors.

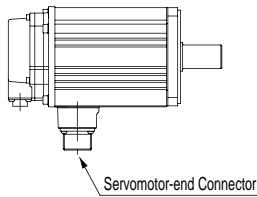
# Selecting Cables

## ● Standard Connectors

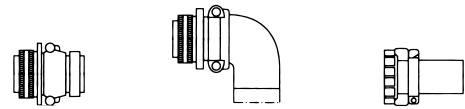
### ● Connector Configuration



### (1) Without Holding Brakes



Servomotor-end Connector  
For 1.0 to 7.0 kW

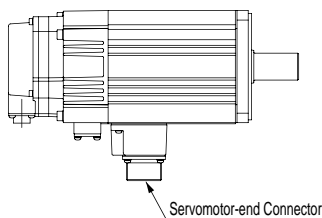


Capacity kW	Servomotor-end Connector (Receptacle)	Cable-end Connector (Not provided by Yaskawa)		
		Straight Plug	L-shaped Plug	Cable Clamp
1.0 to 2.5	MS3102A18-10P	MS3106B18-10S	MS3108B18-10S	MS3057-10A
3.0 to 7.0	MS3102A22-22P	MS3106B22-22S	MS3108B22-22S	MS3057-12A

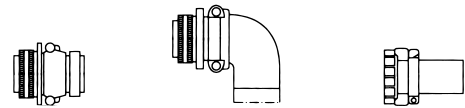
Note: Servomotor-end connectors (receptacles) are RoHS-compliant. Contact the respective connector manufacturers for RoHS-compliant cable-end connectors.

### (2) With Holding Brakes (200 V)

No brake connector for 200-V models  
(there are brake terminals on the servomotor-end connectors).



Servomotor-end Connector  
For 1.0 to 5.0 kW

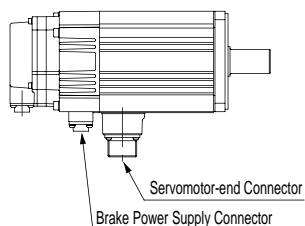


Capacity kW	Servomotor-end Connector (Receptacle)	Cable-end Connector (Not provided by Yaskawa)		
		Straight Plug	L-shaped Plug	Cable Clamp
1.0 to 2.5	MS3102A20-15P	MS3106B20-15S	MS3108B20-15S	MS3057-12A
3.0 to 5.0	MS3102A24-10P	MS3106B24-10S	MS3108B24-10S	MS3057-16A

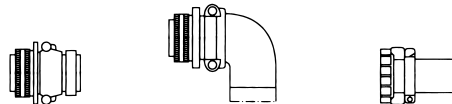
Note: Servomotor-end connectors (receptacles) are RoHS-compliant. Contact the respective connector manufacturers for RoHS-compliant cable-end connectors.

Selecting Cables

(3) With Holding Brakes (400 V)



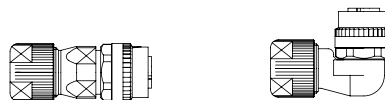
Servomotor-end Connector  
For 1.0 to 5.0 kW



Capacity kW	Servomotor-end Connector (Receptacle)	Cable-end Connector (Not provided by Yaskawa)		
		Straight Plug	L-shaped Plug	Cable Clamp
1.0 to 2.5	MS3102A18-10P	MS3106B18-10S	MS3108B18-10S	MS3057-10A
3.0 to 5.0	MS3102A22-22P	MS3106B22-22S	MS3108B22-22S	MS3057-12A

Note: Servomotor-end connectors (receptacles) are RoHS-compliant. Contact the respective connector manufacturers for RoHS-compliant cable-end connectors.

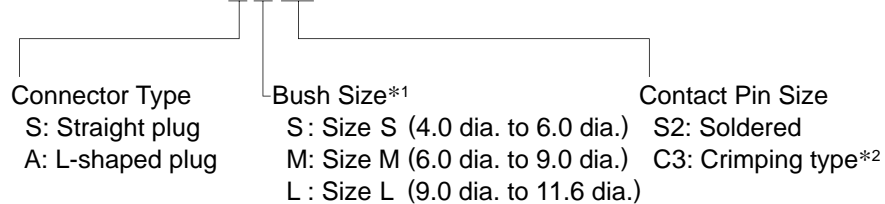
Brake Power Supply Connector  
For 1.0 to 5.0 kW



Capacity kW	Servomotor-end Connector (Receptacle)	Cable-end Connector (Not provided by Yaskawa)		
		Straight Plug	L-shaped Plug	Manufacturer
1.0 to 5.0	CM10-R2P-D	CM10-SP2S-S-D Applicable Cable: 4.0 dia. to 6.0 dia.	CM10-AP2S-S-D Applicable Cable: 4.0 dia. to 6.0 dia.	DDK Ltd.
		CM10-SP2S-M-D Applicable Cable: 6.0 dia. to 9.0 dia.	CM10-AP2S-M-D Applicable Cable: 6.0 dia. to 9.0 dia.	
		CM10-SP2S-L-D Applicable Cable: 9.0 dia. to 11.6 dia.	CM10-AP2S-L-D Applicable Cable: 9.0 dia. to 11.6 dia.	

To order a brake power supply connector kit (1.0 to 5.0 kW) with the order no. below, contact your Yaskawa representative.

J Z S P - C V B 9 - S M S 2 - E

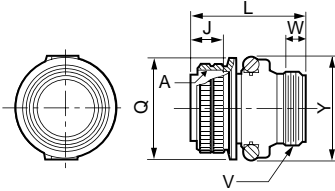


\*1: A size-M connector kit is available as standard equipment.  
\*2: A crimp tool (model: 357J-50448T) by DDK Ltd. is required.

## Selecting Cables Units: mm

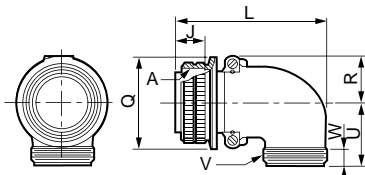
### • Cable-end Connectors

#### (1) MS3106B□□-□□S : Straight Plug



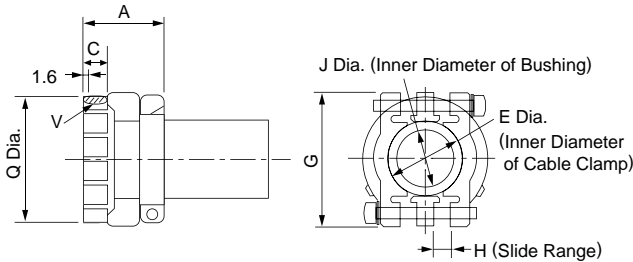
Shell Size	Joint Screw A	Length of Joint Portion J±0.12	Overall Length L max.	Outer Diameter of Joint Nut Q <sup>+0</sup> <sub>-0.38</sub>	Cable Clamp Set Screw V	Effective Screw Length W min.	Maximum Width Y max.
18	1-1/8-18UNEF	18.26	52.37	34.13	1-20UNEF	9.53	42
20	1-1/4-18UNEF	18.26	55.57	37.28	1-3/16-18UNEF	9.53	47
22	1-3/8-18UNEF	18.26	55.57	40.48	1-3/16-18UNEF	9.53	50
24	1-1/2-18UNEF	18.26	58.72	43.63	1-7/16-18UNEF	9.53	53

#### (2) MS3108B□□-□□S : L-shaped Plug



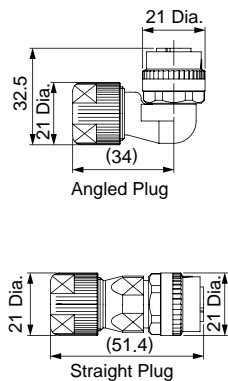
Shell Size	Joint Screw A	Length of Joint Portion J±0.12	Overall Length L max.	Outer Diameter of Joint Nut Q <sup>+0</sup> <sub>-0.38</sub>	R ±0.5	U ±0.5	Cable Clamp Set Screw V	Effective Screw Length W min.
18	1-1/8-18UNEF	18.26	68.27	34.13	20.5	30.2	1-20UNEF	9.53
20	1-1/4-18UNEF	18.26	76.98	37.28	22.5	33.3	1-3/16-18UNEF	9.53
22	1-3/8-18UNEF	18.26	76.98	40.48	24.1	33.3	1-3/16-18UNEF	9.53
24	1-1/2-18UNEF	18.26	86.51	43.63	25.6	36.5	1-7/16-18UNEF	9.53

#### (3) MS3057-□□A : Cable Clamp with Rubber Bushing



Cable Clamp Type	Applicable Connector Shell Size	Overall Length A±0.7	Effective Screw Length C	E Diameter	G±0.7	H	J Diameter	Set Screw V	Outer Diameter Q±0.7 Dia.	Attached Bushing
MS3057-10A	18	23.8	10.3	15.9	31.7	3.2	14.3	1-20UNEF	30.1	AN3420-10
MS3057-12A	20□22	23.8	10.3	19	37.3	4	15.9	1-3/16-18UNEF	35.0	AN3420-12
MS3057-16A	24	26.2	10.3	23.8	42.9	4.8	19.1	1-7/16-18UNEF	42.1	AN3420-16

### • Dimensional Drawings of Brake Power Supply



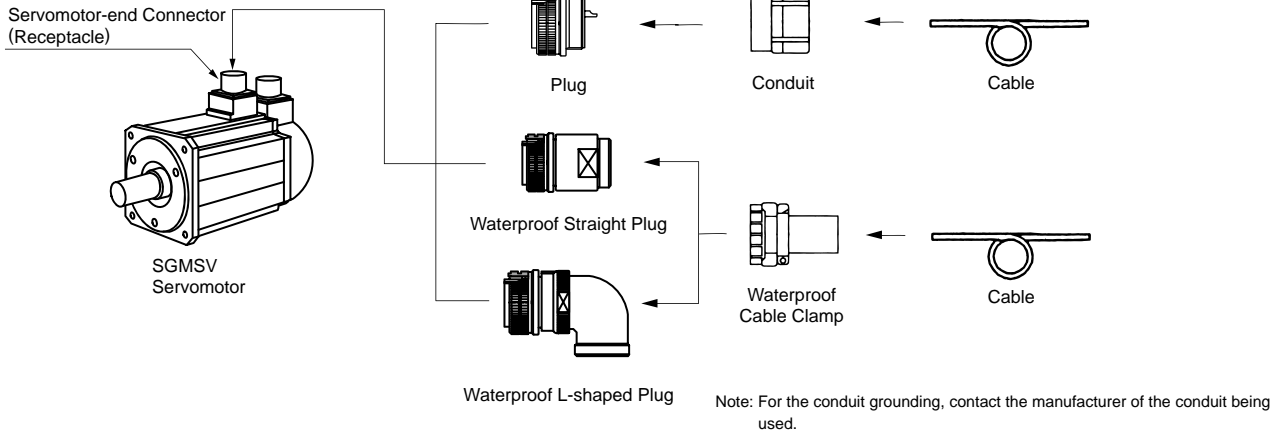
Items	Specifications
Connector Order No.	CM10-□P2S-□-D (Cables are not included.)
Protective Structure	IP67
Manufacturer	DDK Ltd.
Instructions	Angled plug (CM10-AP2S-□-D): TC-573, Straight plug (CM10-SP2S-□-D): TC-583
Electrical Contact Order No.	<p>Electrical contact (100 pcs in one bag)</p> <ul style="list-style-type: none"> <li>Crimping type: CM10-#22SC(C3)-100, Wire size: AWG16 to 20, Outer diameter of sheath: 1.87 to 2.45 dia., Hand tool: 357J-50448T</li> <li>Soldered type: CM10-#22SC (S2)-100, Wire size: AWG16 max.</li> </ul> <p>Real contact (4000 pcs on one reel)</p> <ul style="list-style-type: none"> <li>Crimping type: CM10-#22SC(C3)-4000, Wire size: AWG 16 to 20, Outer diameter of sheath: 1.87 to 2.45 dia.,</li> </ul> <p>Semi-automatic tool: AP-A50541T (product name for one set), AP-A50541T-1 (product name for applicator)</p> <p>Note: The product name of the semi-automatic tool refers to the product name of the press and applicator (crimper) as a set.</p>



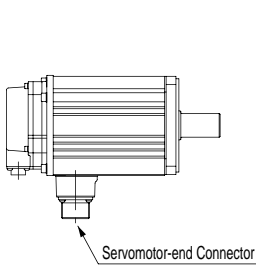
Selecting Cables

● Protective Structure IP67 and European Safety Standards Compliant Connector

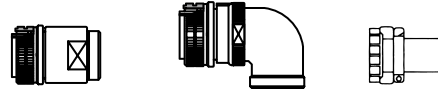
● Connector Configuration



(1) Without Holding Brakes



Servomotor-end Connector  
For 1.0 to 7.0 kW

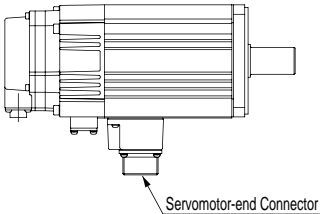


Capacity kW	Servomotor-end Connector (Receptacle)	Cable-end Connector (Not Provided by Yaskawa)					Applicable Cable Diameter (For Reference)	Manufacturer
		Plug	Straight Plug	L-shaped Plug	Cable Clamp			
1.0 to 2.5	CE05-2A18- 10PD-D	CE05- 6A18- 10SD-D	CE05-6A18- 10SD-D-BSS	CE05-8A18- 10SD-D-BAS	CE3057-10A-1-D	10.5 dia. to 14.1 dia.	DDK Ltd.	
					CE3057-10A-2-D	8.5 dia. to 11.0 dia.		
					CE3057-10A-3-D	6.5 dia. to 8.7 dia.		
3.0 to 7.0	JL04HV-2E22- 22PE-B-R	JL04V- 6A22- 22SE-R	JL04V-6A22-22SE-EB-R or JA06A-22-22S-J1-EB-R*	JL04V-8A22-22SE-EB-R or JA08A-22-22S-J1-EB-R*	JL04-2022CK (09) -R	6.5 Dia. to 9.5 Dia.	Japan Aviation	
					JL04-2022CK (12) -R	9.5 Dia. to 13.0 Dia.	Electronics	
					JL04-2022CK (14) -R	12.9 Dia. to 15.9 Dia.	Industry, Ltd.	

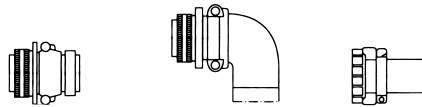
\*: Not compliant with European Safety Standards, but compliant with protective structure IP67.

(2) With Holding Brakes (200 V)

No brake connector for 200-V models  
(there are brake terminals on the servomotor-end connectors).



Servomotor-end Connector  
For 1.0 to 5.0 kW

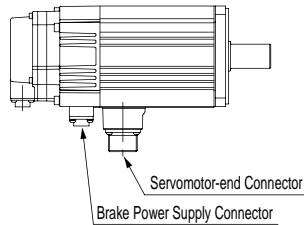


Capacity kW	Servomotor-end Connector (Receptacle)	Cable-end Connector (Not Provided by Yaskawa)					Applicable Cable Diameter (For Reference)	Manufacturer
		Plug	Straight Plug	L-shaped Plug	Cable Clamp			
1.0 to 2.5	JL04V-2E20- 15PE-B-R	JL04V- 6A20- 15SE-R	JL04V-6A20-15SE-EB-R	JL04V-8A20-15SE-EB-R	JL04-2022CK (09) -R	6.5 Dia. to 9.5 Dia.	Japan Aviation	
					JL04-2022CK (12) -R	9.5 Dia. to 13.0 Dia.		
					JL04-2022CK (14) -R	12.9 Dia. to 15.9 Dia.		
3.0 to 5.0	JL04V-2E24- 10PE-B-R	JL04- 6A24- 10SE-R	JL04V-6A24-10SE-EB-R or JA06A-24-10S-J1-EB-R*	JL04V-8A24-10SE-EB-R or JA08A-24-10S-J1-EB-R*	JL04-2428CK (11) -R	9.0 Dia. to 12.0 Dia.	Japan Aviation	
					JL04-2428CK (14) -R	12.0 Dia. to 15.0 Dia.		
					JL04-2428CK (17) -R	15.0 Dia. to 18.0 Dia.		
					JL04-2428CK (20) -R	18.0 Dia. to 20.0 Dia.		

\*: Not compliant with European Safety Standards, but compliant with protective structure IP67.

## Selecting Cables

### (3) With Holding Brakes (400 V)



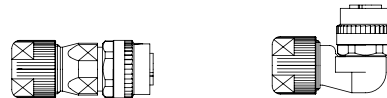
Servomotor-end Connector  
For 1.0 to 5.0 kW



Capacity kW	Servomotor-end Connector (Receptacle)	Cable-end Connector (Not Provided by Yaskawa)					Applicable Cable Diameter (For Reference)	Manufacturer
		Plug	Straight Plug	L-shaped Plug	Cable Clamp			
1.0 to 2.5	CE05-2A18-10PD-D	CE05-6A18-10SD-D	CE05-6A18-10SD-D-BSS	CE05-8A18-10SD-D-BAS	CE3057-10A-1-D	10.5 dia. to 14.1 dia.	DDK Ltd.	
					CE3057-10A-2-D	8.5 dia. to 11.0 dia.		
					CE3057-10A-3-D	6.5 dia. to 8.7 dia.		
3.0 to 5.0	JL04HV-2E22-22PE-B-R	JL04V-6A22-22SE-R	JL04V-6A22SE-EB-R or JA06A-22-22S-J1-EB-R*	JL04V-8A22-22SE-EB-R or JA08A-22-22S-J1-EB-R*	JL04-2022CK(09)-R	6.5 Dia. to 9.5 Dia.	Japan Aviation Electronics Industry, Ltd.	
					JL04-2022CK(12)-R	9.5 Dia. to 13.0 Dia.		
					JL04-2022CK(14)-R	12.9 Dia. to 15.9 Dia.		

\*: Not compliant with European Safety Standards, but compliant with protective structure IP67.

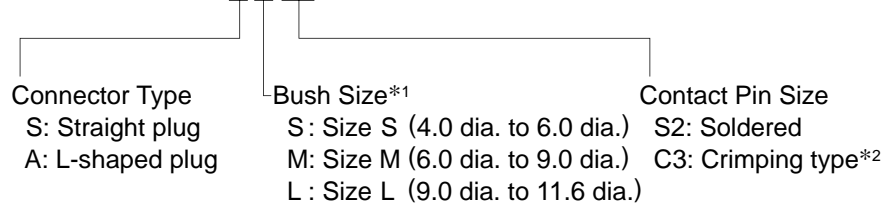
Brake Power Supply Connector  
For 1.0 to 5.0 kW



Capacity kW	Servomotor-end Connector (Receptacle)	Cable-end Connector (Not provided by Yaskawa)			Manufacturer
		Straight Plug	L-shaped Plug		
1.0 to 5.0	CM10-R2P-D	CM10-SP2S-S-D Applicable Cable: 4.0 dia. to 6.0 dia.	CM10-AP2S-S-D Applicable Cable: 4.0 dia. to 6.0 dia.	DDK Ltd.	
		CM10-SP2S-M-D Applicable Cable: 6.0 dia. to 9.0 dia.	CM10-AP2S-M-D Applicable Cable: 6.0 dia. to 9.0 dia.		
		CM10-SP2S-L-D Applicable Cable: 9.0 dia. to 11.6 dia.	CM10-AP2S-L-D Applicable Cable: 9.0 dia. to 11.6 dia.		

To order a brake power supply connector kit (1.0 to 5.0 kW) with the order no. below, contact your Yaskawa representative.

J Z S P - C V B 9 - S M S2 - E



\*1: A size-M connector kit is available as standard equipment.  
\*2: A crimp tool (model: 357J-50448T) by DDK Ltd. is required.

Selecting Cables

● Encoder Cables (Max. length: 20 m)

■ Non-Stock Items

Name	Length (L)	Order No.		Specifications	Details	
		Standard Type	Flexible Type*			
Encoder Cable with Connectors (For Incremental Encoder)	3 m	JZSP-CVP01-03-E	JZSP-CVP11-03-E	<p>SERVOPACK End L Encoder End Connector (Crimped) (Molex Japan Co., Ltd.) CM10-SP10S-□-D (DDK Ltd.)</p>	(1)	
	5 m	JZSP-CVP01-05-E	JZSP-CVP11-05-E			
	10 m	JZSP-CVP01-10-E	JZSP-CVP11-10-E			
	15 m	JZSP-CVP01-15-E	JZSP-CVP11-15-E			
	20 m	JZSP-CVP01-20-E	JZSP-CVP11-20-E			
	3 m	JZSP-CVP02-03-E	JZSP-CVP12-03-E			<p>SERVOPACK End L Encoder End Connector (Crimped) (Molex Japan Co., Ltd.) CM10-AP10S-□-D (DDK Ltd.)</p>
	5 m	JZSP-CVP02-05-E	JZSP-CVP12-05-E			
	10 m	JZSP-CVP02-10-E	JZSP-CVP12-10-E			
15 m	JZSP-CVP02-15-E	JZSP-CVP12-15-E				
Encoder Cable with Connectors (For Absolute Encoder, with a Battery Case)	3 m	JZSP-CVP06-03-E	JZSP-CVP26-03-E	<p>SERVOPACK End L Encoder End Battery Case (Battery Attached) Connector (Crimped)(Molex Japan Co., Ltd.) CM10-SP10S-□-D (DDK Ltd.)</p>	(2)	
	5 m	JZSP-CVP06-05-E	JZSP-CVP26-05-E			
	10 m	JZSP-CVP06-10-E	JZSP-CVP26-10-E			
	15 m	JZSP-CVP06-15-E	JZSP-CVP26-15-E			
	20 m	JZSP-CVP06-20-E	JZSP-CVP26-20-E			
	3 m	JZSP-CVP07-03-E	JZSP-CVP27-03-E			<p>SERVOPACK End L Encoder End Battery Case (Battery Attached) Connector (Crimped)(Molex Japan Co., Ltd.) CM10-AP10S-□-D (DDK Ltd.)</p>
	5 m	JZSP-CVP07-05-E	JZSP-CVP27-05-E			
	10 m	JZSP-CVP07-10-E	JZSP-CVP27-10-E			
15 m	JZSP-CVP07-15-E	JZSP-CVP27-15-E				
SERVOPACK-end Connector Kit		JZSP-CMP9-1-E		Soldered	(3)	
					(Molex Japan Co., Ltd.)	
Encoder-end Connectors for Protective Structure IP67 Straight Plug		JZSP-CVP9-1-E	Connector Specifications Plug: CM10-SP10S-M-D Electrical Contact: (Crimped)** CM10-#22SC(C4)-100 Applicable Cable Diameter: 6.0 dia. to 9.0 dia.	<p>+ Electrical Contact</p>	-	
		JZSP-CVP9-3-E	Connector Specifications Plug: CM10-SP10S-M-D Electrical Contact: (Soldered) CM10-#22SC(S1)-100 Applicable Cable Diameter: 6.0 dia. to 9.0 dia			(DDK Ltd.)
Encoder-end Connectors for Protective Structure IP67 L-shaped Plug		JZSP-CVP9-2-E	Connector Specifications Plug: CM10-AP10S-M-D Electrical Contact: (Crimped)** CM10-#22SC(C4)-100 Applicable Cable Diameter: 6.0 dia. to 9.0 dia.	<p>+ Electrical Contact</p>	-	
		JZSP-CVP9-4-E	Connector Specifications Plug: CM10-AP10S-M-D Electrical Contact: (Soldered) CM10-#22SC(S1)-100 Applicable Cable Diameter: 6.0 dia. to 9.0 dia			(DDK Ltd.)
Cables	3 m	JZSP-CMP09-03-E	JZSP-CSP39-03-E		(4)	
	5 m	JZSP-CMP09-05-E	JZSP-CSP39-05-E			
	10 m	JZSP-CMP09-10-E	JZSP-CSP39-10-E			
	15 m	JZSP-CMP09-15-E	JZSP-CSP39-15-E			
	20 m	JZSP-CMP09-20-E	JZSP-CSP39-20-E			

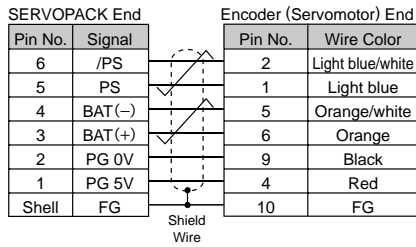
\* Use flexible cables for movable sections such as robot arms.

\*\* A crimp tool (357J-52667T) is required

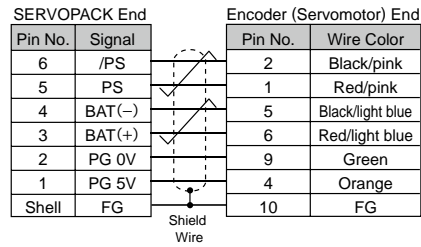
## Selecting Cables

### (1) Wiring Specifications for Cable with Connectors (For incremental encoder)

#### · Standard Type

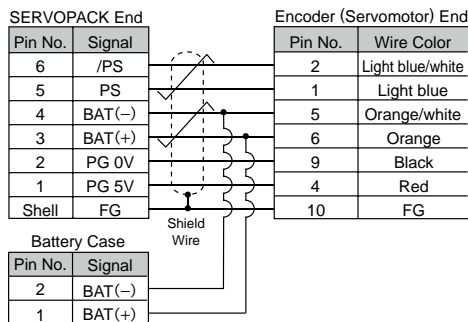


#### · Flexible Type

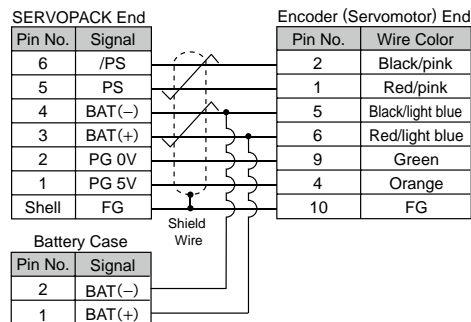


### (2) Wiring Specifications for Cable with Connectors (For absolute encoder, with a battery case)

#### · Standard Type



#### · Flexible Type



### (3) SERVOPACK-end Connector Kit Specifications

Items	Specifications
Order No.	JZSP-CMP9-1-E
Manufacturer	Molex Japan Co., Ltd.
Connector Model (For standard)	55100-0670 (soldered)
External Dimensions (Units: mm)	

Note: The mating connector model on SERVOPACK: 54280-800  
The mating connector model on servomotor: 55102-0600

### (4) Cable Specifications

Items	Standard Type	Flexible Type
Order No.*	JZSP-CMP09-□□-E	JZSP-CSP39-□□-E
Cable Length	20 m max.	
Specifications	UL20276 (Max. rating temperature: 80°C) AWG22×2C + AWG24×2P AWG22 (0.33 mm <sup>2</sup> ) Outer diameter of insulating sheath: 1.15 dia. AWG24 (0.20 mm <sup>2</sup> ) Outer diameter of insulating sheath: 1.09 dia.	UL20276 (Max. rating temperature: 80°C) AWG22×2C + AWG24×2P AWG22 (0.33 mm <sup>2</sup> ) Outer diameter of insulating sheath: 1.35 dia. AWG24 (0.20 mm <sup>2</sup> ) Outer diameter of insulating sheath: 1.21 dia.
Finished Dimensions	6.5 dia.	6.8 dia.
Internal Configuration and Lead Color		
Yaskawa Standards Specifications (Standard Length)	Cable length: 5 m, 10 m, 15 m, 20 m	

\*: Specify the cable length in □□ of order no.  
Example: JZSP-CMP09-05-E (5 m)

## Selecting Cables

### Encoder Cables (For extending from 30 to 50 m)

■ Limited Stock Items

Name	Length	Order No.	Specifications	Details
① Encoder-end Cables (For incremental and absolute encoder)	0.3 m	JZSP-CVP01-E	<p>SERVOPACK End 0.3 m Encoder End Plug Connector (Crimped) (Molex Japan Co., Ltd.) CM10-SP10S-D (DDK Ltd.)</p>	(1)
		JZSP-CVP02-E	<p>SERVOPACK End 0.3 m Encoder End Plug Connector (Crimped) (Molex Japan Co., Ltd.) CM10-AP10S-D (DDK Ltd.)</p>	
② Cable with Connectors (For incremental and absolute encoder)	30 m	JZSP-UCMP00-30-E	<p>SERVOPACK End L Encoder End Connector (Crimped) (Molex Japan Co., Ltd.) Socket Connector (Soldered) (Molex Japan Co., Ltd.)</p>	(2)
	40 m	JZSP-UCMP00-40-E		
	50 m	JZSP-UCMP00-50-E		
③ Cable with a Battery Case (For absolute encoder)	0.3 m	JZSP-CSP12-E*	<p>SERVOPACK End 0.3 m Encoder End Battery Case (Battery attaches!) Connector (Crimped) (Molex Japan Co., Ltd.) Socket Connector (Soldered) (Molex Japan Co., Ltd.)</p>	(3)
④ Relay Cables	30 m	JZSP-CMP19-30-E		(4)
	40 m	JZSP-CMP19-40-E		
	50 m	JZSP-CMP19-50-E		

\*: When using an incremental encoder or using an absolute encoder with a battery connected to the host controller, no battery case is required.

#### (1) Wiring Specifications for Encoder-end Cable (For incremental and absolute encoder)

SERVOPACK End		Encoder (Servomotor) End	
Pin No.	Signal	Pin No.	Wire Color
6	/PS	2	Light blue/white
5	PS	1	Light blue
4	BAT (-)	5	Orange/white
3	BAT (+)	6	Orange
2	PG 0V	9	Black
1	PG 5V	4	Red
Shell	FG	10	FG

Shield Wire

Note: The signals BAT(+) and BAT(-) are used when using an absolute encoder.

#### (2) Wiring Specifications for Cable with Connectors (For incremental and absolute encoder)

SERVOPACK End		Encoder (Servomotor) End	
Pin No.	Signal	Pin No.	Wire Color
6	/PS	6	Light blue/white
5	PS	5	Light blue
4	BAT (-)	4	Orange/white
3	BAT (+)	3	Orange
2	PG 0V	2	Black
1	PG 5V	1	Red
Shell	FG	Shell	FG

Shield Wire

#### (4) Relay Encoder Cable Specifications

Item	Standard Type
Order No.*	JZSP-CMP19-□□-E
Cable Length	50 m max.
Specifications	UL20276 (Max. rating temperature: 80°C) AWG16×2C+AWG26×2P AWG16 (1.31 mm <sup>2</sup> ) Outer diameter of insulating sheath: 2.0 dia. mm AWG26 (0.13 mm <sup>2</sup> ) Outer diameter of insulating sheath: 0.91 dia. mm
Finished Dimensions	6.8 dia.
Internal Configuration and Lead Colors	<p>Orange Orange/white Black Light Blue Light Blue/white Red</p>
Yaskawa Standard Specifications (Standard Length)	Cable length: 30 m, 40 m, 50 m

\*: Specify the cable length in □□ of order no.  
Example: JZSP-CMP19-30-E (30 m)

#### (3) Wiring Specifications for Cable with a Battery Case (For absolute encoder)

SERVOPACK End		Encoder (Servomotor) End	
Pin No.	Signal	Pin No.	Wire Color
6	/PS	6	Light blue/white
5	PS	5	Light blue
4	BAT (-)	4	Orange/white
3	BAT (+)	3	Orange
2	PG 0V	2	Black
1	PG 5V	1	Red
Shell	FG	Shell	FG

Shield Wire

Battery Case	
Pin No.	Signal
2	BAT (-)
1	BAT (+)



# Rotary Servomotor General Instructions

## Precautions on Servomotor Installation

Servomotors can be installed either horizontally or vertically.

The service life of the servomotor will be shortened or unexpected problems will occur if the servomotor is installed incorrectly or in an inappropriate location. Always observe the following installation instructions.

**CAUTION**

Do not connect the servomotor directly to a commercial power line. This will damage the servomotor. The servomotor cannot operate without the proper SERVOPACK.

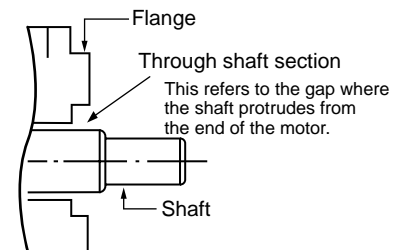
### (1) Installation Environment

Items	Condition
Ambient Temperature	0 to 40°C (no freezing)
Ambient Humidity	20% to 80%RH (no condensation)
Installation Site	<ul style="list-style-type: none"> <li>· Free of corrosive or explosive gases.</li> <li>· Well-ventilated and free of dust and moisture.</li> <li>· Facilitates inspection and cleaning.</li> <li>· Elevation :1,000 m max.</li> <li>· Free of high magnetic field</li> </ul>
Storage Environment	Store the servomotor in the following environment if it is stored with the power cable disconnected. Ambient temperature during storage: -20 to +60°C (no freezing) Ambient humidity during storage: 20% to 80%RH (no condensation)

### (2) Enclosure

The servomotor enclosure\* is described table as follows.

Model	Without Gears	With Gears
SGMAV□SGMJV	IP65	IP55
SGMPS	IP55 IP67 (optional)	IP55
SGMGV	IP67	—
SGMSV	IP67 (SGMSV-70 servomotor only: IP22)	—



\*: Except through shaft section. The enclosure specification can be satisfied only when using a specified cable.

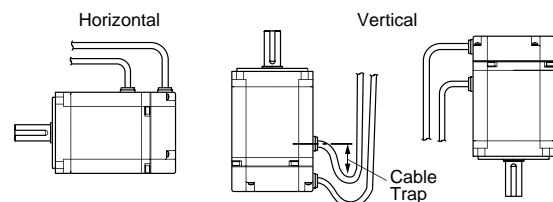
- Do not use servomotors in a location that is subject to oil. If the servomotor is used in a location that is subject to water or oil mist, order a servomotor with an oil seal to seal the through shaft section.

Precautions on Using Servomotor with Oil Seal:

- Put the oil surface under the oil seal lip.
- Use an oil seal in favorably lubricated condition.
- When using a servomotor with its shaft upward direction, be sure that oil will not stay in the oil seal lips.

### (3) Orientation

- Servomotors can be installed either horizontally or vertically. When installing servomotors vertically, make cable traps to keep out water. When mounting servomotors with the shaft up, take measures with the connected machine to prevent oil from getting into the servomotors through gear boxes etc.



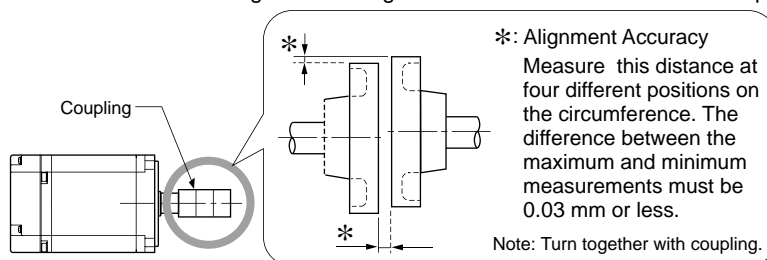
## (4) Alignment

Align the shaft of the servomotor with the shaft of the equipment, and then couple the shafts.

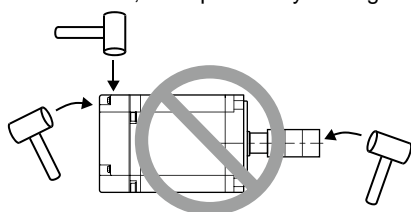
**IMPORTANT**

- 1 Install the servomotor so that alignment accuracy falls within the following range.

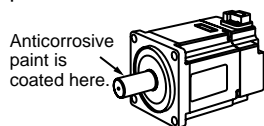
Vibration that will damage the bearings and encoders if the shafts are not properly aligned.



- 2 Do not allow any direct impact to the shafts when installing the couplings. Do not hit the area near encoders with a hammer etc., as impacts may damage the encoders.



- 3 Before installation, thoroughly remove the anticorrosive paint from the end of the motor shaft. Only after removing the paint can servomotors be installed on the machines.



## (5) Cable Stress

- Make sure there is no bending or tension on the cables themselves, the connections, or the cable lead inlets.

Be especially careful to wire encoder cables so that they are not subject to stress because the core wires of encoder cables and main circuit cables are very thin at only 0.2 to 0.3 mm<sup>2</sup>.

## (6) Connectors

Observe the following precautions:

- When the connectors are connected to the motor, be sure to connect the end of motor main circuit cables before connecting the encoder cable's end.  
If the encoder cable's end is connected, the encoder may break because of the voltage differences between FG.
- Make sure there is no foreign matters such as dust and metal chips in the connector before connecting.
- Do not apply shock to resin connectors. Otherwise, they may be damaged.
- Make sure of the pin arrangement.
- Be sure not to apply stress on the connector, when using flexible cables. The connector may be damaged by stress.
- When handling a servomotor with its cables connected, hold the servomotor or the connectors and cables will be damaged.
- Fix the cable connector to SGMJV, SGMAV, SGMP5-01/-02/-04 or SGMGV-03/-05 servomotors with screws. Refer to "Cable connections to SGMJV, SGMAV and SGMP5 servomotors" or "Cable connections to SGMGV-03/-05 servomotors." Make sure that the connector is securely fixed with screws.
- If connectors are not connected properly, the protective structure specifications may not be satisfied.

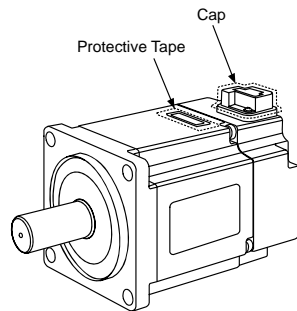
## Cable Connections to SGMJV, SGMJV and SGMP5 Servomotors

Connect the main circuit cable and encoder cable to SGMJV, SGMJV or SGMP5-01/-02/-04 servomotor in the following manner.

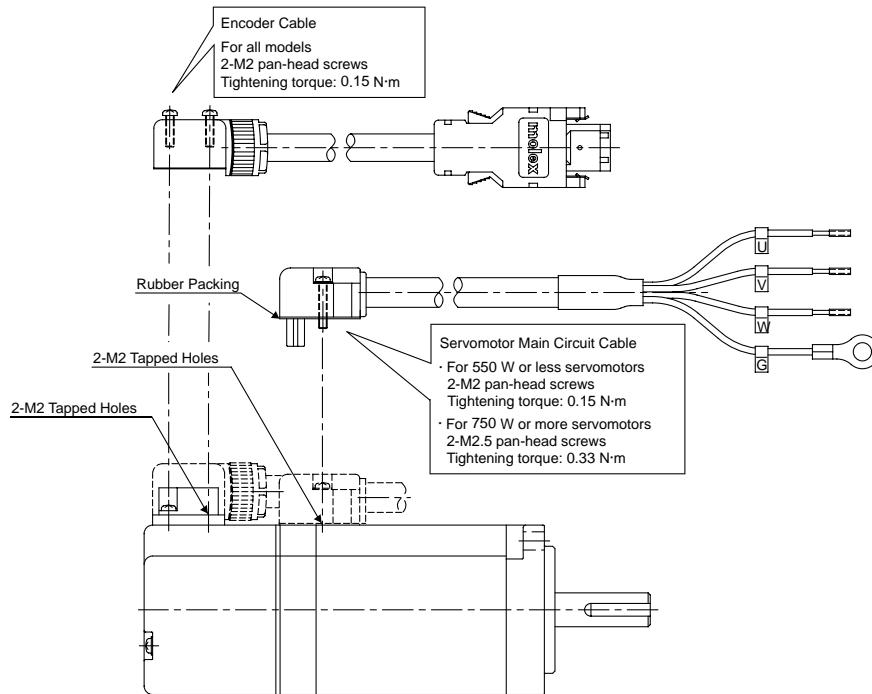


Do not directly touch the connector pins provided with the servomotor. Particularly, the encoder may be damaged by static electricity, etc.

**STEP1** Remove the protective tape and cap from the servomotor connector.



**STEP2** Mount the cable connector on the servomotor and fix it with screws as shown in the figure below.



### IMPORTANT

- First, connect the servomotor to the servomotor main circuit cable end.
- Do not remove the rubber packing. Mount the connector so that the rubber packing is seated properly.  
If the rubber packing is not seated properly, the requirements for the protective structure specifications may not be met.



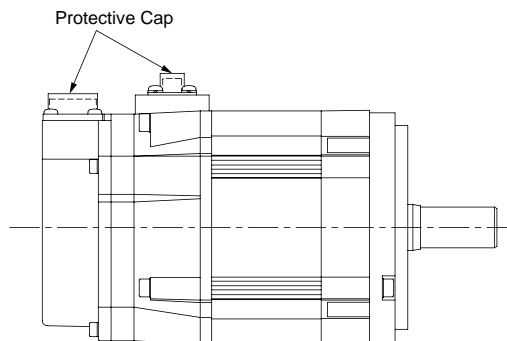
## Cable Connections to SGMGV-03/-05 Servomotors

Connect the main circuit cable and encoder cable to SGMGV-03/-05 servomotor in the following manner.

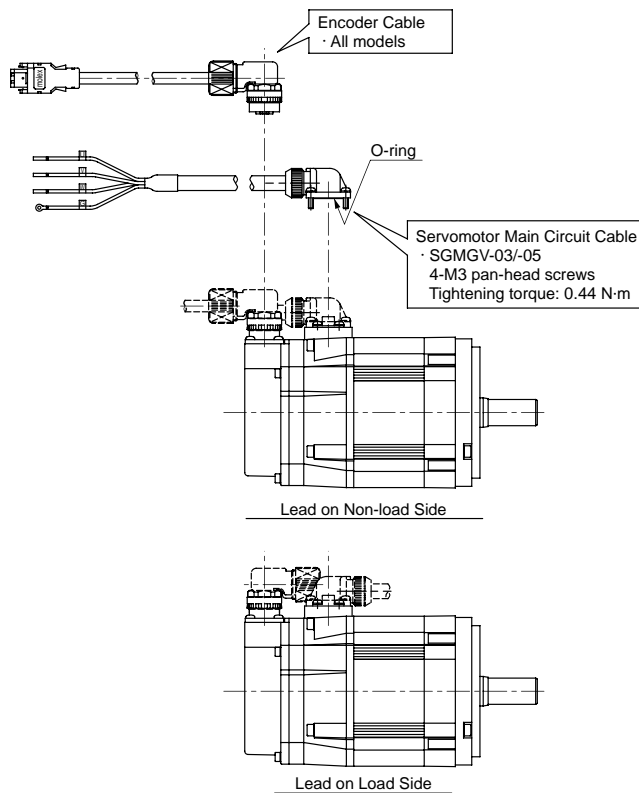
### ! CAUTION

Do not directly touch the connector pins provided with the servomotor. Particularly, the encoder may be damaged by static electricity, etc.

**STEP1** Remove the protective cap from the servomotor connector.



**STEP2** Mount the cable connector on the servomotor and fix it with screws as shown in the figure below.



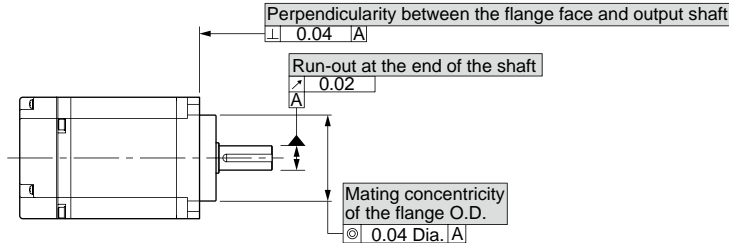
### IMPORTANT

- First, connect the servomotor to the servomotor main circuit cable end.
- Do not remove the O-ring. Mount the connector so that the O-ring is seated properly. If the O-ring is not seated properly, the requirements for the protective structure specifications may not be met.

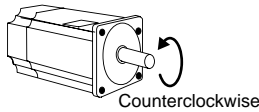
## Mechanical Specifications

### ● Mechanical Tolerance(T.I.R. : Total Indicator Reading)

The following figure shows tolerances for the servomotor's output shaft and installation area. For more details on tolerances, refer to the external dimensions of the individual servomotor.

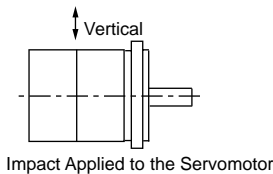


### ● Direction of Servomotor Rotation



Positive rotation of the servomotor without a gear is counterclockwise when viewed from the load. Refer to Ratings and Specifications for each series regarding rotation direction of the servomotor with a gear. The direction of rotation can be reversed by changing the SERVOPACK parameters.

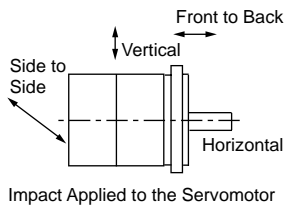
### ● Shock Resistance



Mount the servomotor with the axis horizontal. The servomotor will withstand the following vertical impacts:

- Impact Acceleration: 490 m/s<sup>2</sup>
- Impact occurrences: 2

### ● Vibration Resistance



Mount the servomotor with the axis horizontal. The servomotor will withstand the following vibration acceleration in three directions: Vertical, side to side, and front to back.

Servomotor Model	Vibration Acceleration at Flange
SGMJV, SGMAV, SGMPS	49 m/s <sup>2</sup>
SGMGV -03 to -44, SGMSV -10 to -50	49 m/s <sup>2</sup> (Front to back direction: 24.5 m/s <sup>2</sup> )
SGMGV -55 to -1E	24.5 m/s <sup>2</sup>
SGMSV -70	14.7 m/s <sup>2</sup>

**IMPORTANT**

The amount of vibration the servomotor endures will vary depending on the application. Check the vibration acceleration being applied to your servomotor for each application.

### ● Vibration Class

The vibration class for the servomotors at rated motor speed is V15.

(A vibration class of V15 indicates a total vibration amplitude of 15  $\mu$ m maximum on the servomotor during rated rotation.)

## Rotor Moment of Inertia

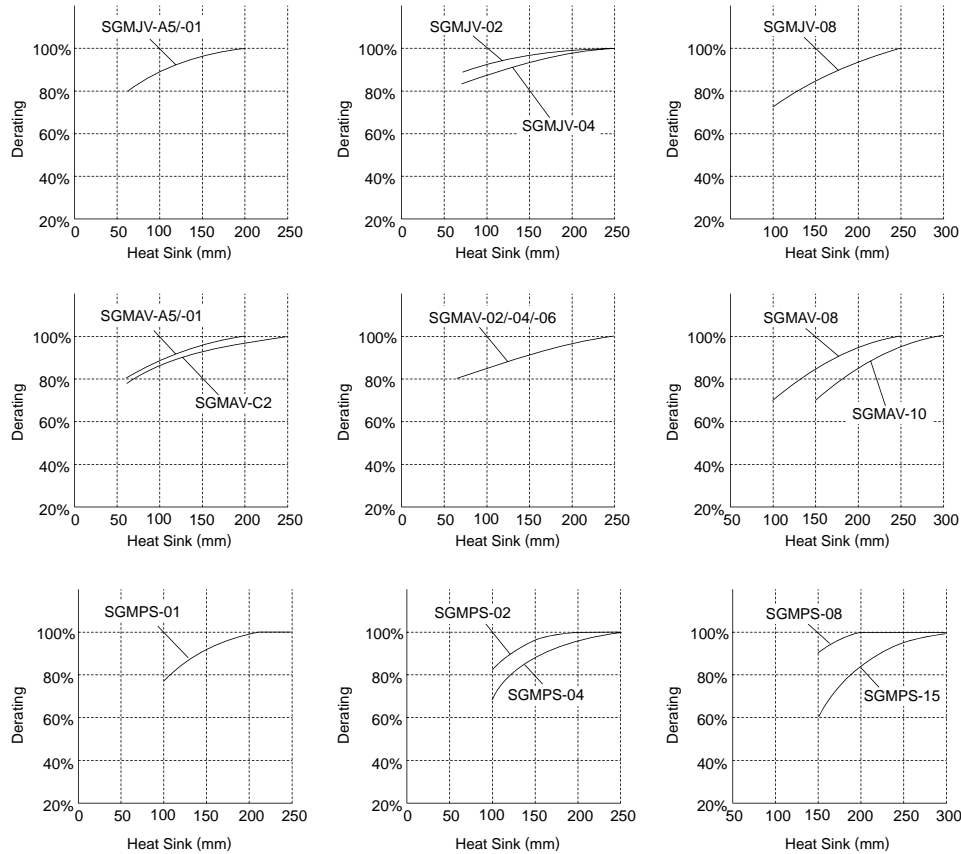
Small-capacity servomotors come in a medium inertia series "SGMJV servomotor," "SGMPS servomotor" and low inertia series "SGMAV servomotor." The rotor moment of inertia of SGMJV servomotor and SGMPS servomotor are twice as large as that of SGMAV. Select servomotors based on the specifications of your devices, such as load moment of inertia or machine rigidity.

- When the rotor moment of inertia is large:
  - Servomotors are capable of corresponding load changes. This has the benefit of reducing settling time and speed ripple. This should also improve control stability of machines with low rigidity.
- When mounting the servomotor with low rotor moment of inertia to devices with load moment of inertia:
  - Acceleration/deceleration torque increases and effective load ratio increases. Check the effective load ratio when you select motor capacity.

## Servomotor Heating Conditions

The motor rated specifications are continuous allowable values at an ambient temperature of 40°C when servomotors are installed with heat sinks. When the motor is mounted on a small surface, the motor temperature may rise considerably because of the limited heat radiating abilities of the surface. See the following graph for the relation between heat sink size and derating (derating ratio).

**IMPORTANT** The actual temperature rise depends on how the heat sink (servomotor mounting section) is fixed on the installation surface, what material is used for the motor mounting section, and motor speed. Always check the actual motor temperature.



## Holding Brake Delay Time

Holding brakes have motion delay time that varies depending on when the brake is open and when the brake is operating. The following table shows the brake delay time of each servomotor.

**IMPORTANT** Make sure the holding brake delay time is correct for your servomotor.

- Example, switching the holding brakes on the DC side

Model	Voltage	Brake Open Time ms	Brake Operation Time ms	Model	Voltage	Brake Open Time ms	Brake Operation Time ms
SGMAV-A5 to -04	24 V	60	100	SGMGV-03 to -20	24 V, 90 V	100	80
SGMAV-06 to -10		80	100	SGMGV-30,-44		170	100 (24 V), 80 (90 V)
SGMJV-A5 to -04	24 V	60	100	SGMGV-55,-75,-1A		170	80
SGMJV-08		80	100	SGMGV-1E		250	80
SGMPS-01, -08	24 V	20	100	SGMSV-10 to -25		170	80
SGMPS-02, -04, -15		40	100	SGMSV-30 to -50		100	80

## Rotary Cables with Model Numbers Beginning with "JZSP"

### ● Standard Cables

Standard servomotor main circuit cables, encoder cables, and relay cables cannot be used in cases where high flexibility is needed, as when the cables themselves move or are twisted or turned.

Recommended minimum bend radius of standard cables:  $R = \text{radius (of cable)} \times 15$ . Use flexible cables for flexible applications.

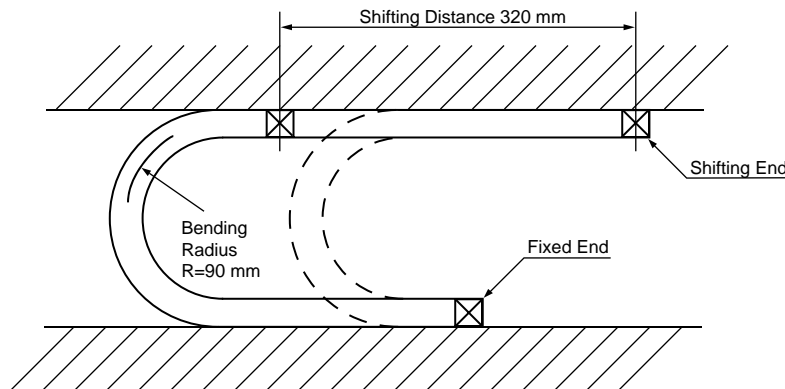
### ● Flexible Cables

#### (1) Life of Flexible Cable

The flexible cable supports 10,000,000 or more operations of bending life with the recommended bending radius  $R = 90$  mm under the following test conditions.

##### ● Conditions

- 1 Repeat moving one end of the cable forward and backward for 320 mm using the test equipment shown in the following figure.
- 2 Connect the lead wires in parallel, and count the number of cable return motion times until a lead wire is disconnected. Note that one reciprocation is counted as one test.



- Notes:
- 1 The life of flexible cable differs largely depending on the amount of mechanical shocks, mounting to the cable, and fixing methods. The life of flexible cable is limited under the specified conditions.
  - 2 The life of flexible cable indicates the number of bending times in which lead wires are electrically conducted and by which no cracks and damages that affects the performance of cable sheathing are caused. Disconnecting the shield wire is not taken into account.

#### (2) Wiring Precautions

Even if the recommended bending radius  $R$  is followed in the mechanical design, incorrect wiring may cause the early disconnection. Observe the following precautions when wiring.

##### (a) Cable twisting

Straighten the flexible cables wiring.

Twisted cables cause the early disconnection. Check the indication on the cable surface to make sure that the cable is not twisted.

##### (b) Fixing method

Do not fix the moving points of the flexible cable, or stress on the fixed points may cause early disconnection. Fix the cable at the minimum number of points. Do not put stress on the servomotor-end and SERVOPACK-end connectors.

##### (c) Cable length

If the cable length is too long, it may result the cable sagging. If the cable length is too short, excessive tension on the fixed points will cause the early disconnection. Use a flexible cable with the optimum length.

##### (d) Interference between cables

Avoid interference between cables.

Interference limits the motion of flexible cable, which causes early disconnection. Keep enough distance between cables, or provide a partition when wiring.

## Rotary Cables with Model Numbers NOT Beginning with "JZSP"

### ● Standard Cables

Standard servomotor main circuit cables, encoder cables, and relay cables cannot be used in cases where high flexibility is needed, as when the cables themselves move or are twisted or turned. Use flexible cables for flexible applications.

For bend radius, refer to the following chart.

Model	B1EV	B2EV	B3EV	B4EV	B5EV	B6EV	B7EV	B6EP	B7EP	BABEV	BCBEV	BDBEV	BBEV	BFEV
Recommended Bend Radius (mm)	72	82	119.5	89.5	191.8	226.1	151.2	201.6	87.65	94.6	107.3	35.2	47.24	
Outer Diameter (mm)	14.4	16.4	23.9	17.9	27.4	32.3	25.2	33.6	17.53	18.92	21.46	8.8	11.81	

Note: All models in the chart refer to the first set of characters of the cable's model number.

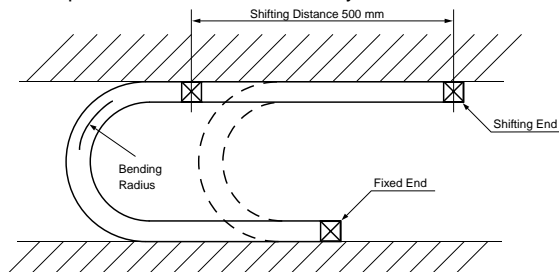
### ● Flexible Cables

#### (1) Life of Flexible Cable

The flexible cable supports several million cycles or more of bending life with the recommended bending radius under the following test conditions.

##### ● Conditions

- 1 Repeat moving one end of the cable forward and backward for 500 mm using the test equipment shown in the following figure.
- 2 Connect the lead wires in parallel, and count the number of cable return motion times until a lead wire is disconnected. Note that one reciprocation is counted as one cycle.



Notes: 1 The life of flexible cable differs largely depending on the amount of mechanical shocks, mounting to the cable, and fixing methods. The life of flexible cable is limited under the specified conditions.

2 The life of flexible cable indicates the number of bending times in which lead wires are electrically conducted and by which no cracks and damages that affect the performance of cable sheathing are caused. Disconnecting the shield wire is not taken into account.

#### (2) Specific Cable Details

The following chart contains details for each flexible cable with model not beginning with "JZSP"

Model	B1EP	B2EP	B3EP	B4EP	B5EP	BABEP	BCBEP	BDBEP	BBEP
Recommended Bend Radius (mm)	140	165	224	191	180	177.1	190.3	50	
Outer Diameter (mm)	14.0	16.5	22.4	19.1	15.0	16.1	17.3	7.7	
Cycles (million)	8-20					9		10	

Note: All models in the chart refer to the first set of characters of the cable's model number..

#### (3) Wiring Precautions

Even if the recommended bending radius is followed in the mechanical design, incorrect wiring may cause early disconnection. Observe the following precautions when wiring.

##### (a) Cable twisting

Straighten the flexible cables wiring.

Twisted cables cause early disconnection. Check the indication on the cable surface to make sure the cable is not twisted.

##### (b) Fixing method

Do not fix the moving points of the flexible cable, or stress on the fixed points may cause early disconnection. Fix the cable at the minimum number of points. Do not put stress on the servomotor-end and SERVOPACK-end connectors.

##### (c) Cable length

If the cable length is too long, it may result in the cable sagging. If the cable length is too short, excessive tension on the fixed points will cause early disconnection. Use a flexible cable with the optimum length.

##### (d) Interference between cables

Avoid interference between cables.

Interference limits the motion of flexible cable, which causes early disconnection. Keep enough distance between cables, or provide a partition when wiring.

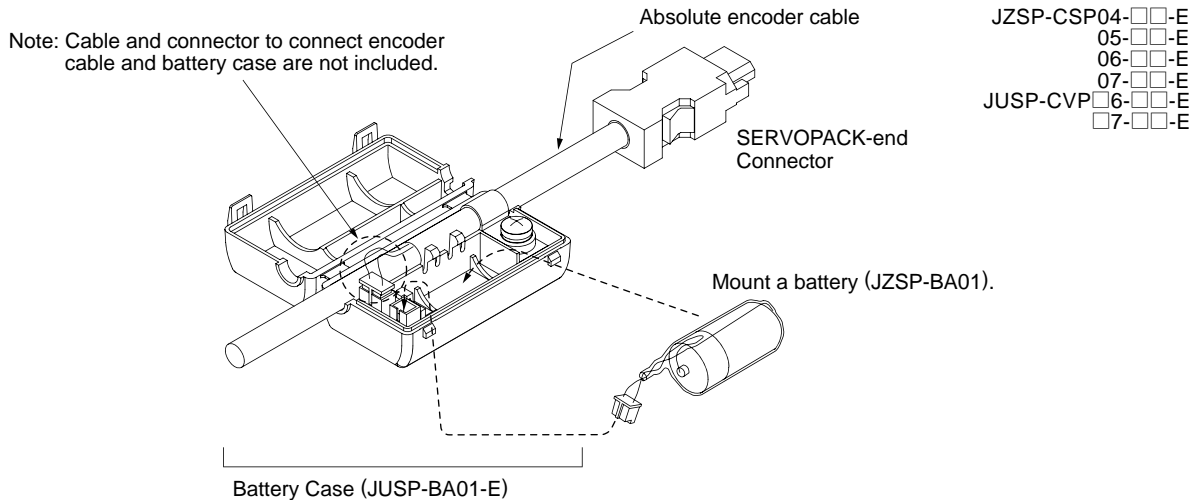
## Battery Case

### ● Battery Case (Model: JUSP-BA01-E)

Use this battery case if your battery case needs replacing due to damage etc.. This battery case cannot be used with an incremental encoder cable.

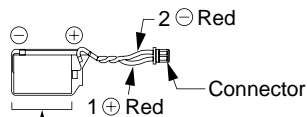
#### IMPORTANT

- 1 The battery case (JUSP-BA01-E) is not provided with a battery. A battery must be purchased separately.
- 2 Install the battery case where the ambient temperature is between 0°C to 55°C.



#### (1) Mounting a Battery in a Battery Case

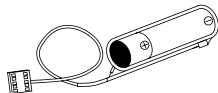
Prepare a lithium battery (JZSP-BA01) and mount in a battery case.



ER3 V Lithium Battery  
(3.6 V, 1000 mAh, manufactured by Toshiba Battery Co., Ltd.)

#### (2) Connecting a Battery to the Host Controller

Use a battery that meets the specifications of the host controller. Use an ER6VC3N (3.6 V, 2000 mAh, manufactured by Toshiba Battery Co., Ltd.) or equivalent battery.

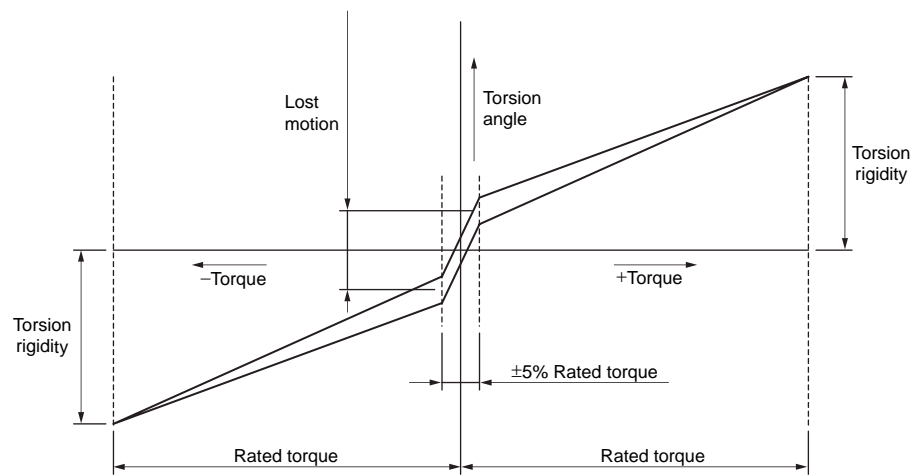


## Terms for Servomotors with Gears

### (1) Terminology for Servomotors with Low-backlash Gears

Item	Measurement Method/Definition	Typical Value
Rated Torque (N·m)	The rated output torque of the motor is the gear input torque. The rated torque is this value multiplied by the inverse of the gear ratio and efficiency.	—
Lost Motion (arc-min)*	Angular difference in a screw with a ± 5% rated torque load. (Maximum value at any four positions during output.)	3 max.
Torsion Rigidity (arc-min)*	Highest torsion angle value on one side with a ± rated torque load.	10 max.
Angular Transmission Error Accuracy (arc-min)	Difference in absolute accuracy for one rotation under load and no-load conditions during output.	6 max.

\* : See the following graph for lost motion and torsion rigidity.

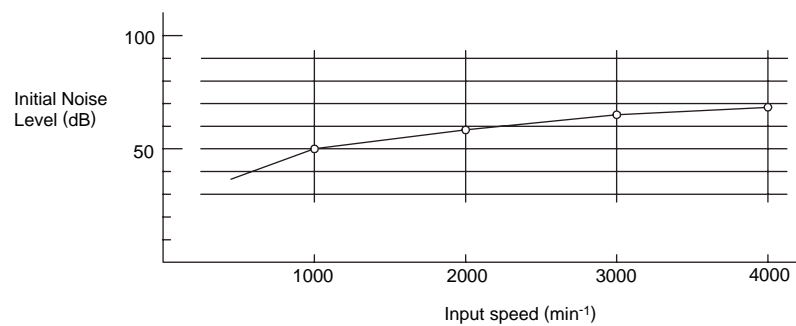


### (2) Noise Data

The following noise data for a servomotor with a gear is for reference only. The data may vary slightly depending on the capacity and gear ratio of the servomotor.

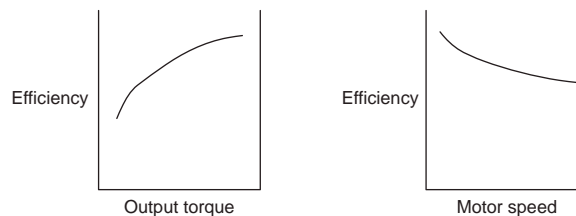
#### Measurement Conditions

- Scale A: 50 cm
- Ground Noise: 28 dB



### (3) Efficiency

The output torque and motor speed produce the following trends in efficiency. The values in the tables, Ratings and Specifications of SGM Servomotors with Gears, are at the rated motor torque and rated motor speed.



# Direct Drive Servomotors

# SGMCS



## Model Designations

SGMCS - 02 B 3 C 1 1

Direct Drive Servomotor SGMCS

1st+2nd digits   3rd digit   4th digit   5th digit   6th digit   7th digit

**1st+2nd digits** Rated Torque

● Small-capacity

Code	Specifications
02	2.0 N·m
04	4.0 N·m
05	5.0 N·m
07	7.0 N·m
08	8.0 N·m
10	10 N·m
14	14 N·m
16	16 N·m
17	17 N·m
25	25 N·m
35	35 N·m

● Medium-capacity

Code	Specifications
45	45 N·m
80	80 N·m
1A	110 N·m
1E	150 N·m
2Z	200 N·m

**3th digit** Motor Outer Diameter

Code	Specifications
B	135 dia. mm
C	175 dia. mm
D	230 dia. mm
E	290 dia. mm
M	280 dia. mm
N	360 dia. mm

**4th digit** Encoder Specifications

Code	Specifications
3	20-bit absolute (without multiturn data) (standard)
D	20-bit incremental (option)

**5th digit** Design Revision Order

Code	Specifications
A	Model of servomotor outer diameter code M, N
B	Model of servomotor outer diameter code E
C	Model of servomotor outer diameter code B, C, D

**6th digit** Flange Specifications

Code	Flange Specifications		Motor Outer Diameter Code (3rd digit)					
	Specifications	Mounted Side	B	C	D	E	M	N
1	C-face	Non-load side	○	○	○	○	-	-
		load end	-	-	-	-	○	○
3	C-face	Non-load side	-	-	-	-	○	○
4	C-face	Non-load side (with cable on side)	○	○	○	○	-	-

○ : Applicable Model

**7th digit** Option

Code	Specifications
1	Without options

NOTE: Shaded items are non-stock.



## Features

- Directly coupled to a load without a mechanical transmission such as a gear.
- Powerful and smooth operation throughout the speed range from low to high.  
(Instantaneous peak torque: 6 to 600 N·m  
maximum speed: 250 to 500 min<sup>-1</sup>)
- High-resolution, 20-bit encoder for highly precise indexing.
- Easy wiring and piping with the hollow structure.

## Application Examples

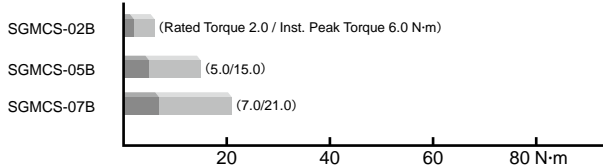
- Semiconductor equipment
- LCD manufacturing equipment
- Units for inspection and testing
- Electronic parts assembling machines
- IC handlers
- Inspection units for integrated circuits
- Automated machines
- Robots

## Rated Torque / Peak Torque

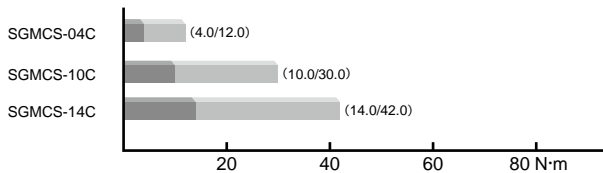
### ● Small-capacity



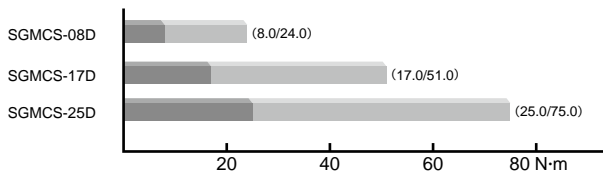
Outer Diameter 135 mm, Inner Diameter 20 mm



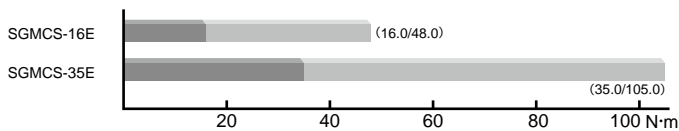
Outer Diameter 175 mm, Inner Diameter 35 mm



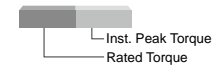
Outer Diameter 230 mm, Inner Diameter 60 mm



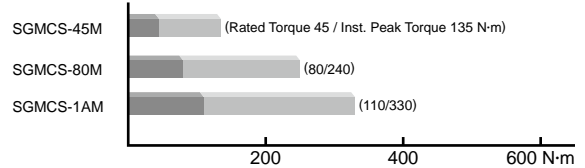
Outer Diameter 290 mm, Inner Diameter 75 mm



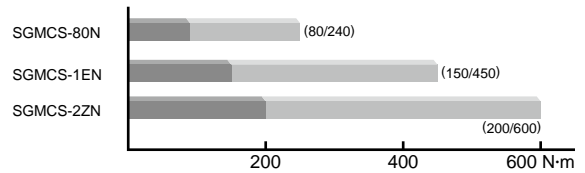
### ● Medium-capacity



Outer Diameter 280 mm, Inner Diameter 75 mm



Outer Diameter 360 mm, Inner Diameter 118 mm



# Ratings and Specifications

## ● Small-capacity Series

Time Rating: Continuous

Vibration Class: V15

Insulation Resistance: 500 VDC, 10 MΩ min.

Ambient Temperature: 0 to 40°C

Excitation: Permanent magnet

Mounting: Flange method

Thermal Class: A

Withstand Voltage: 1500 VAC for one minute

Enclosure: Totally enclosed, self-cooled, IP42 (except for gaps on the rotating section of the shaft)

Ambient Humidity: 20% to 80% (no condensation)

Drive Method: Direct drive

Rotation Direction: Counterclockwise (CCW) with forward run reference when viewed from the load side

Voltage		200 V										
Servomotor Model SGMCS-□□□□□		02B□C	05B□C	07B□C	04C□C	10C□C	14C□C	08D□C	17D□C	25D□C	16E□B	35E□B
Rated Output <sup>*1</sup>	W	42	105	147	84	209	293	168	356	393	335	550
Rated Torque <sup>*1, *2</sup>	N·m	2.0	5.0	7.0	4.0	10.0	14.0	8.0	17.0	25.0	16.0	35.0
Instantaneous Peak Torque <sup>*1</sup>	N·m	6.0	15.0	21.0	12.0	30.0	42.0	24.0	51.0	75.0	48.0	105
Stall Torque <sup>*1</sup>	N·m	2.05	5.15	7.32	4.09	10.1	14.2	8.23	17.4	25.4	16.5	35.6
Rated Current <sup>*1</sup>	A <sub>rms</sub>	1.8	1.7	1.4	2.2	2.2	2.8	1.9	2.5	2.6	3.3	3.5
Instantaneous Max. Current <sup>*1</sup>	A <sub>rms</sub>	5.4	5.1	4.1	7.0	7.0	8.3	5.6	7.5	8.0	9.4	10.0
Rated Speed <sup>*1</sup>	min <sup>-1</sup>	200			200			200		150	200	150
Max. Speed <sup>*1</sup>	min <sup>-1</sup>	500			500	400	300	500	350	250	500	250
Torque Constant	N·m/A <sub>rms</sub>	1.18	3.17	5.44	2.04	5.05	5.39	5.1	7.8	10.8	5.58	11.1
Rotor Moment of Inertia	×10 <sup>-4</sup> kg·m <sup>2</sup>	28	51	77	77	140	220	285	510	750	930	1430
Rated Power Rate <sup>*1</sup>	kW/s	1.4	4.9	6.4	2.1	7.1	8.9	2.2	5.7	8.3	2.75	8.57
Rated Angular Acceleration <sup>*1</sup>	rad/s <sup>2</sup>	710	980	910	520	710	640	280	330	330	170	240
Absolute Accuracy	second	±15			±15			±15		±15		
Repeatability	second	±1.3			±1.3			±1.3		±1.3		
Applicable SERVOPACK	SGDV-□□□□	2R8A			2R8A			2R8A		5R5A		

\*1: These items and torque-motor speed characteristics quoted in combination with an SGDV SERVOPACK are at an armature winding temperature of 100°C. Other values quoted at 20°C.

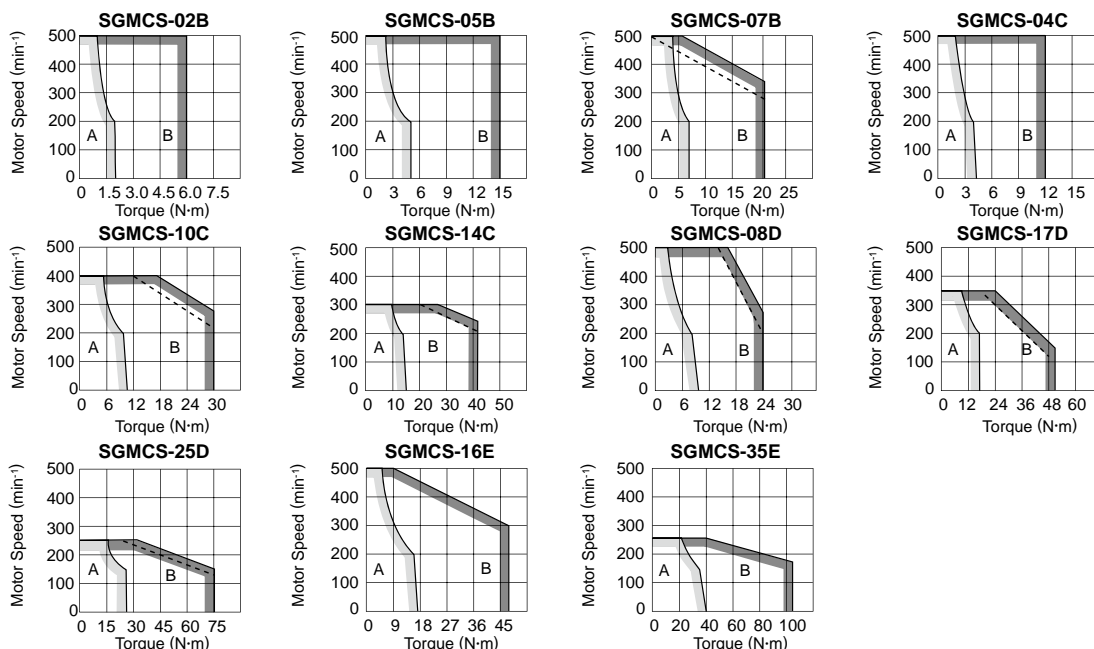
\*2: Rated torques are continuous allowable torque values at 40°C with a steel heat sink attached.

Heat sink: SGMCS-□□B: 350 mm × 350 mm × 12 mm SGMCS-□□C: 450 mm × 450 mm × 12 mm  
 SGMCS-□□D: 550 mm × 550 mm × 12 mm SGMCS-□□E: 650 mm × 650 mm × 12 mm

Notes: 1 SGMCS servomotor with holding brake is not available.

2 For the bearings used in SGMCS servomotors, loss varies according to the bearing temperature. At low temperatures, the amount of heat loss will be large.

## ● Small-capacity Series: Torque-Motor Speed Characteristics A : Continuous Duty Zone B : Intermittent Duty Zone<sup>(Note2)</sup>



Notes: 1 The solid, dotted lines of the intermittent duty zone indicate the characteristics when a servomotor runs with the following combinations:

- The solid line: With a three-phase 200 V SERVOPACK
- The dotted line: With a single-phase 100 V SERVOPACK

2 When the effective torque during intermittent duty is within the rated torque, the servomotor can be used within the intermittent duty zone.

3 When the main circuit cable length exceeds 20 m, note that the intermittent duty zone of the Torque-Motor Speed Characteristics will shrink as the line-to-line voltage drops.

## Ratings and Specifications

### ● Medium-capacity Series

Time Rating: Continuous

Vibration Class: V15

Insulation Resistance: 500 VDC, 10 MΩ min.

Ambient Temperature: 0 to 40°C

Excitation: Permanent magnet

Mounting: Flange method

Thermal Class: F

Withstand Voltage: 1500 VAC for one minute

Enclosure: Totally enclosed, self-cooled, IP44

(except for shaft opening)

Ambient Humidity: 20% to 80% (no condensation)

Drive Method: Direct drive

Rotation Direction: Counterclockwise (CCW) with forward run reference when viewed from the load side

Voltage		200 V					
Servomotor Model SGMCS-□□□□□□		45M□□	80M□□	1AM□□	80N□□	1EN□□	2ZN□□
Rated Output <sup>*1</sup>	W	707	1260	1730	1260	2360	3140
Rated Torque <sup>*1, *2</sup>	N·m	45	80	110	80	150	200
Instantaneous Peak Torque <sup>*1</sup>	N·m	135	240	330	240	450	600
Stall Torque <sup>*1</sup>	N·m	45	80	110	80	150	200
Rated Current <sup>*1</sup>	A <sub>rms</sub>	5.80	9.74	13.4	9.35	17.4	18.9
Instantaneous Max. Current <sup>*1</sup>	A <sub>rms</sub>	17	28	42	28	56	56
Rated Speed <sup>*1</sup>	min <sup>-1</sup>	150					
Max. Speed <sup>*1</sup>	min <sup>-1</sup>	300			250		
Torque Constant	N·m/A <sub>rms</sub>	8.39	8.91	8.45	9.08	9.05	11.5
Rotor Moment of Inertia	×10 <sup>-4</sup> kg·m <sup>2</sup>	388	627	865	1360	2470	3060
Rated Power Rate <sup>*1</sup>	kW/s	52.2	102	140	47.1	91.1	131
Rated Angular Acceleration <sup>*1</sup>	rad/s <sup>2</sup>	1160	1280	1270	588	607	654
Applicable SERVOPACK	SGDV-□□□□	7R6A	120A	180A	120A	200A	200A

\*1: These items and torque-motor speed characteristics quoted in combination with an SGDV SERVOPACK are at an armature winding temperature of 20°C.

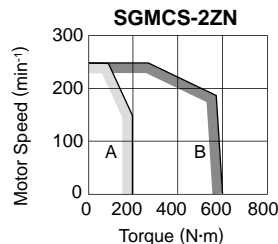
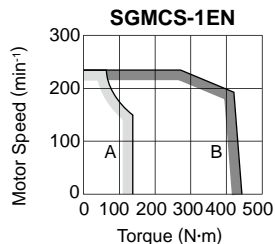
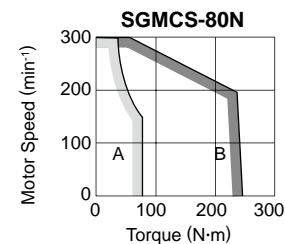
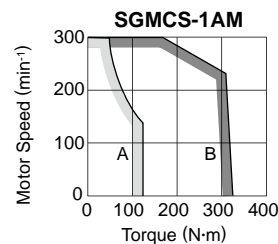
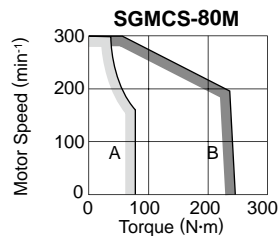
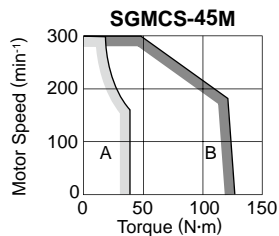
\*2: Rated torques are continuous allowable torque values at 40°C with a steel heat sink attached.

Heat sink: 750 mm × 750 mm × 45 mm

Notes: 1 SGMCS servomotor with holding brake is not available.

2 For the bearings used in SGMCS servomotors, loss varies according to the bearing temperature. At low temperatures, the amount of heat loss will be large.

### ● Medium-capacity Series: Torque-Motor Speed Characteristics A : Continuous Duty Zone B : Intermittent Duty Zone<sup>(Note1)</sup>



Notes: 1 When the effective torque during intermittent duty is within the rated torque, the servomotor can be used within the intermittent duty zone.

2 When the main circuit cable length exceeds 20 m, note that the intermittent duty zone of the Torque-Motor Speed Characteristics will shrink as the line-to-line voltage drops.

## Ratings and Specifications

### ● Allowable Load Moment of Inertia at the Motor Shaft

Servomotor Model		Rated Torque N·m	Allowable Load Moment of Inertia (Rotor Moment of Inertia Ratio)
SGMCS-	02B□C, 05B□C, 07B□C, 04C□C	2.0, 5.0, 7.0, 4.0	10 times
	10C□C	10.0	5 times
	14C□C, 08D□C, 17D□C, 25D□C, 16E□B, 35E□B	14.0, 8.0, 17.0, 25.0, 16.0, 35.0	3 times
	45M□A, 80M□A, 1AM□A, 80N□A, 1EN□A, 2ZN□A	45, 80, 110, 150, 200	3 times

### ● Load Moment of Inertia

The larger the load moment of inertia, the worse the movement response.

The allowable load moment of inertia ( $J_L$ ) depends on motor capacity, as shown above. This value is provided strictly as a guideline and results may vary depending on servomotor drive conditions.

Use the AC servo drive capacity selection program SigmaJunmaSize+ to check the operation conditions. The program can be downloaded for free from our web site (<http://www.e-mechatronics.com/>).

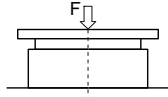
An overvoltage alarm (A.400) is likely to occur during deceleration if the load moment of inertia exceeds the allowable load moment of inertia. SERVOPACKs with a built-in regenerative resistor may generate a regenerative overload alarm (A.320). Take one of the following steps if this occurs.

- Reduce the torque limit.
- Reduce the deceleration rate.
- Reduce the maximum speed.
- Install an external regenerative resistor if the alarm cannot be cleared using the steps above. Refer to Regenerative Resistors on page 339.

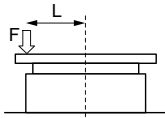
## Mechanical Specifications

### ● Allowable Loads

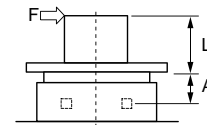
The loads applied while a servomotor is running are roughly classified in the following patterns. Design the machine so that the thrust load and moment load will not exceed the values in the table.



Where F is external force,  
Thrust load:  $F_a = F + \text{Load mass}$   
Moment load:  $M = 0$



Where F is external force,  
Thrust load:  $F_a = F + \text{Load mass}$   
Moment load:  $M = F \times L$



Where F is external force,  
Thrust load:  $F_a = \text{Load mass}$   
Moment load:  $M = F \times (L + A)$

(See the table below for the dimension A of each servomotor model.)

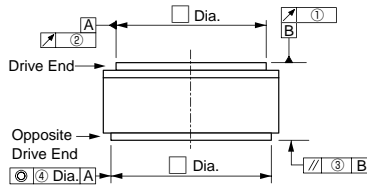
Servomotor Model SGMCS-□	02B	05B	07B	04C	10C	14C	08D	17D	25D	16E	35E	45M	80M	1AM	80N	1EN	2ZN
Dimension A mm	0			0			0			0		33		37.5			
Allowable Thrust Load ( $F_a$ ) N	1500			3300			4000			11000		9000		16000			
Allowable Moment Load (M) N·m	40	50	64	70	75	90	93	103	135	250	320	180		350			

Note: SGMCS-02B to -35E servomotors, set dimensions A to 0 (zero).

### ● Mechanical Tolerance

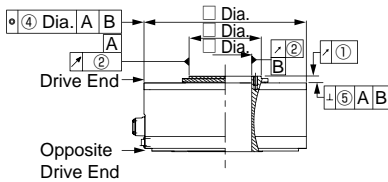
The following table shows tolerances for the servomotor's output shaft and installation area. See the dimensional drawing of the individual servomotor for more details on tolerances.

#### (1) Small-capacity Series



Tolerance T.I.R. (Total Indicator Reading) Units: mm	Servomotor Model SGMCS-										
	02B	05B	07B	04C	10C	14C	08D	17D	25D	16E	35E
Run-out of the Surface of the Shaft	0.02		0.02		0.02		0.02		0.02		0.02
Run-out at the End of the Shaft	0.04		0.04		0.04		0.04		0.04		0.04
Perpendicularity between the Flange Face and Output Shaft	0.07		0.07		0.07		0.08		0.08		0.08
Coaxiality of Output Axis and Mounting Socket Joint	0.07		0.07		0.07		0.08		0.08		0.08

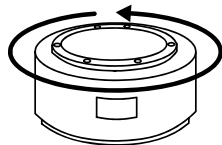
#### (2) Medium-capacity Series



Tolerance T.I.R. (Total Indicator Reading) Units: mm	Servomotor Model SGMCS-					
	45M	80M	1AM	80N	1EN	2ZN
Run-out of the Surface of the Shaft	0.02		0.02		0.02	
Run-out at the End of the Shaft	0.04		0.04		0.04	
Perpendicularity between the Flange Face and Output Shaft	-		-		-	
Coaxiality of Output Axis and Mounting Socket Joint	0.08		0.08		0.08	
Right angle between Flange Face and Output Shaft	0.08		0.08		0.08	

### ● Direction of Rotation

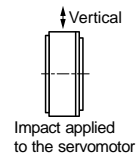
Positive rotation of the servomotor is counterclockwise when viewed from the load.



### ● Impact Resistance

Mount the servomotor with the axis horizontal. The servomotor will withstand the following vertical impacts:

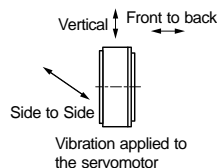
- Impact Acceleration: 490 m/s<sup>2</sup>
- Number of Impacts: 2



### ● Vibration Resistance

Mount the servomotor with the axis horizontal. The servomotor will withstand the following vibration acceleration in three directions: Vertical, side to side, and front to back.

Servomotor Type	Vibration Acceleration at Flange
Small-capacity Series	49 m/s <sup>2</sup>
Medium-capacity Series	24.5 m/s <sup>2</sup>



### ● Vibration Class

The vibration class at rated motor speed is V15. (A vibration class of V15 indicates a total vibration amplitude of 15 μm maximum on the servomotor during rated rotation.)

### ● Enclosure

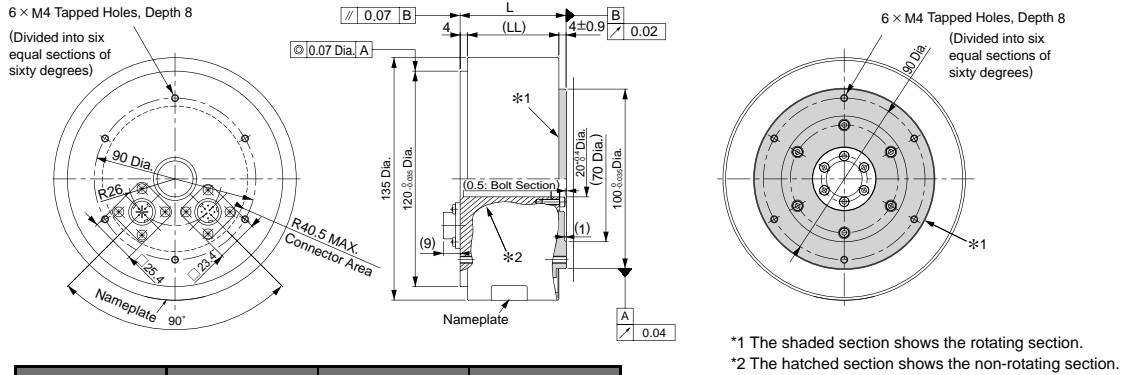
Servomotor Type	Enclosure
Small-capacity Series	IP42 (except for gaps on the rotating section of the shaft)
Medium-capacity Series	IP44

# External Dimensions Units: mm

## ● Small-capacity Series

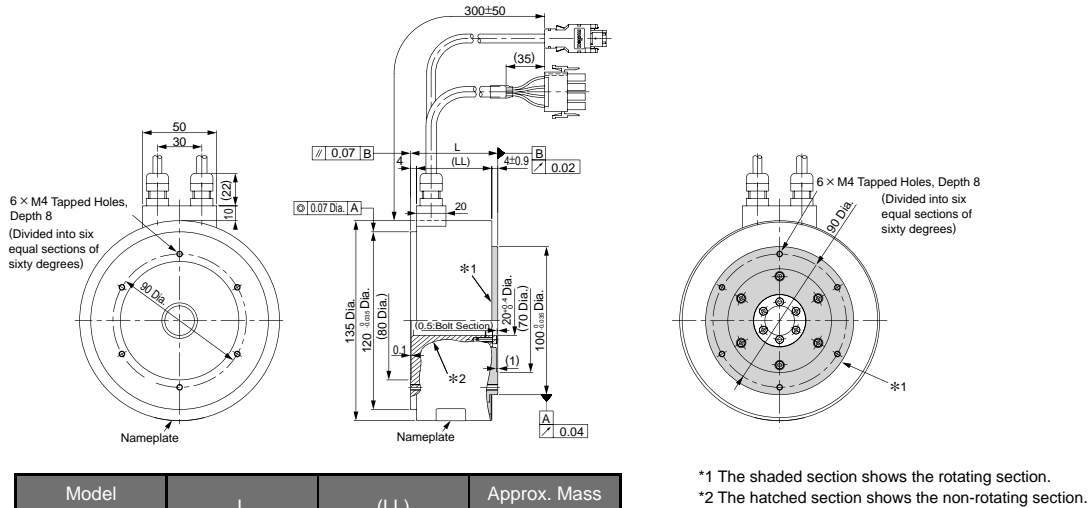
(1) Rated Torque 2.0 to 7.0 N·m (Outer Diameter 135 mm Inner Diameter 20 mm)

· Applicable Flange: 1



Model SGMCS-	L	(LL)	Approx. Mass kg
02B□C11	59	51	4.8
05B□C11	88	80	5.8
07B□C11	128	120	8.2

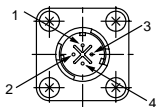
· Applicable Flange: 4



Model SGMCS-	L	(LL)	Approx. Mass kg
02B□C41	59	51	4.8
05B□C41	88	80	5.8
07B□C41	128	120	8.2

## ● Servomotor Connector for Small-capacity Series Servomotors (Applicable Flange: 1)

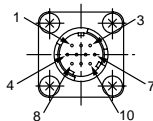
### Servomotor-end Connector Specifications



Model: JN1AS04MK2  
Manufacturer: Japan Aviation Electronics Industry, Ltd.  
Applicable plug: JN1DS04FK1  
(Provided by the customer.)

1	Phase U	Red
2	Phase V	White
3	Phase W	Blue
4	FG (Frame ground)	Green (yellow)

### Encoder-end Connector Specifications



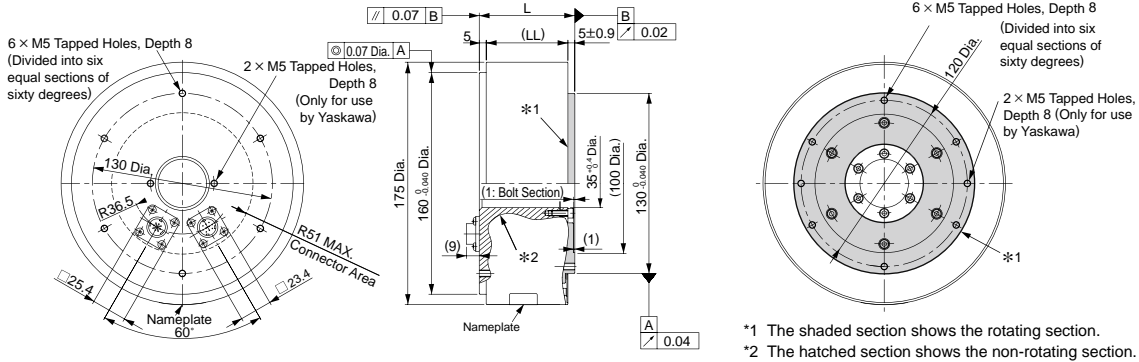
Model: JN1AS10ML1  
Manufacturer: Japan Aviation Electronics Industry, Ltd.  
Applicable plug: JN1DS10SL1  
(Provided by the customer.)

1	PS	Light blue	6	-	-
2	/PS	Light blue/white	7	FG (Frame ground)	Shield
3	-	-	8	-	-
4	PG5V	Red	9	PG0V	Black
5	-	-	10	-	-

## External Dimensions Units: mm

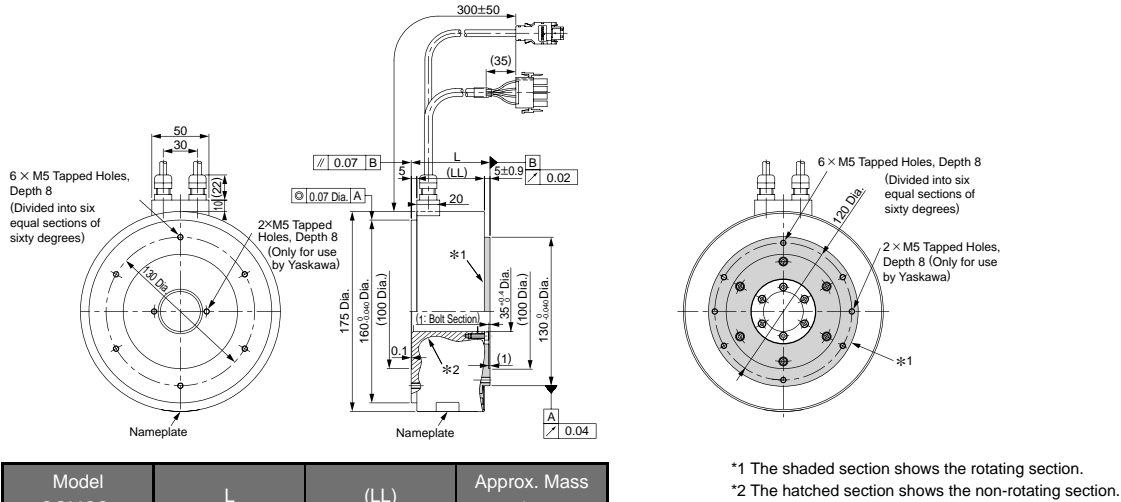
(2) Rated Torque 4.0 to 14.0 N-m (Outer Diameter 175 mm Inner Diameter 35 mm)

• Applicable Flange: 1



Model SGMCS-	L	(LL)	Approx. Mass kg
04C□C11	69	59	7.2
10C□C11	90	80	10.2
14C□C11	130	120	14.2

• Applicable Flange: 4

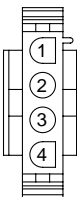


Model SGMCS-	L	(LL)	Approx. Mass kg
04C□C41	69	59	7.2
10C□C41	90	80	10.2
14C□C41	130	120	14.2

### ● Servomotor Connector (Applicable Flange: 4)

#### Servomotor-end Connector Specifications

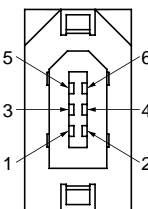
- Model  
 - Plug : 350779-1  
 - Pin : 350561-3 or 350690-3 (No.1 to 3)  
 - Ground pin : 350654-1 or 350669-1 (No.4)  
 Manufacturer: Tyco Electronics AMP K.K.  
 Applicable plug  
 - Cap : 350780-1  
 - Socket : 350536-6 or 350550-6



1	Phase U	Red
2	Phase V	White
3	Phase W	Blue
4	FG (Frame ground)	Green (yellow)

#### Encoder-end Connector Specifications

- Model : 55102-0600  
 Manufacturer : Molex Japan Co., Ltd  
 Applicable plug : 54280-0600

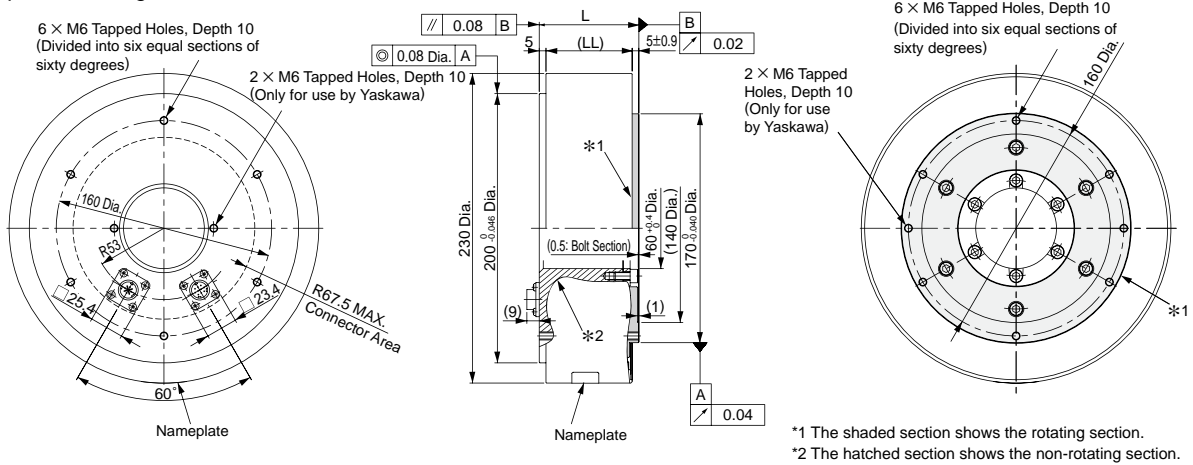


1	PG5V	Red
2	PG0V	Black
3	-	-
4	-	-
5	PS	Light blue
6	/PS	Light blue/white
Connector Case	FG (Frame ground)	Shield

# External Dimensions Units: mm

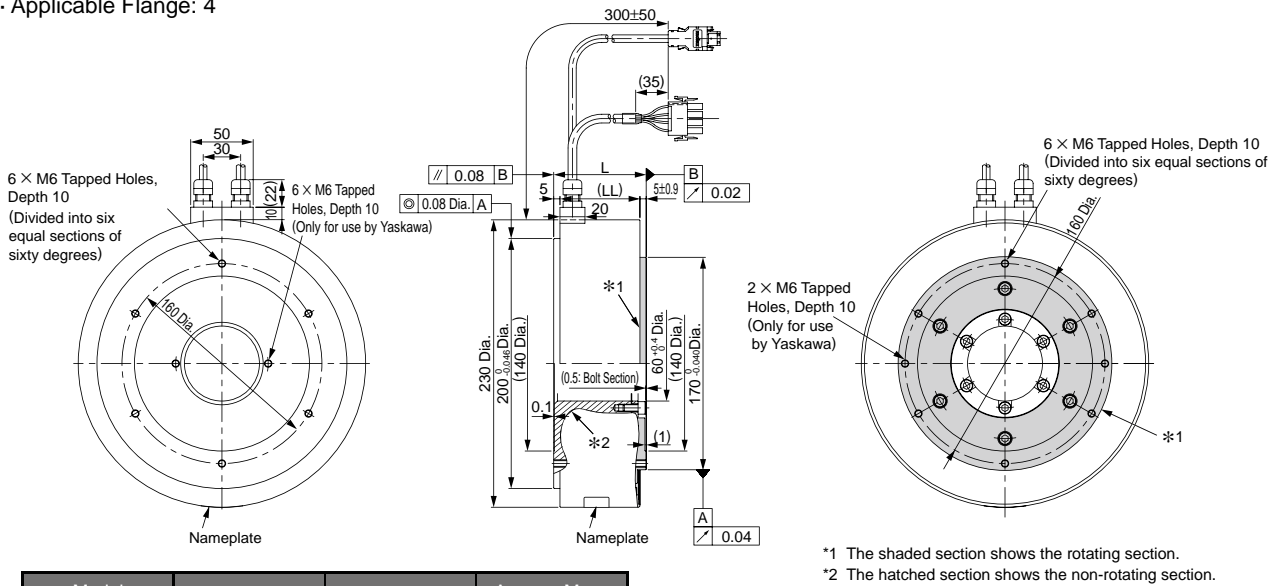
(3) Rated Torque 8.0 to 25.0 N-m (Outer Diameter 230 mm Inner Diameter 60 mm)

· Applicable Flange: 1



Model SGMCS-	L	(LL)	Approx. Mass kg
08D□C11	74	64	14.0
17D□C11	110	100	22.0
25D□C11	160	150	29.7

· Applicable Flange: 4



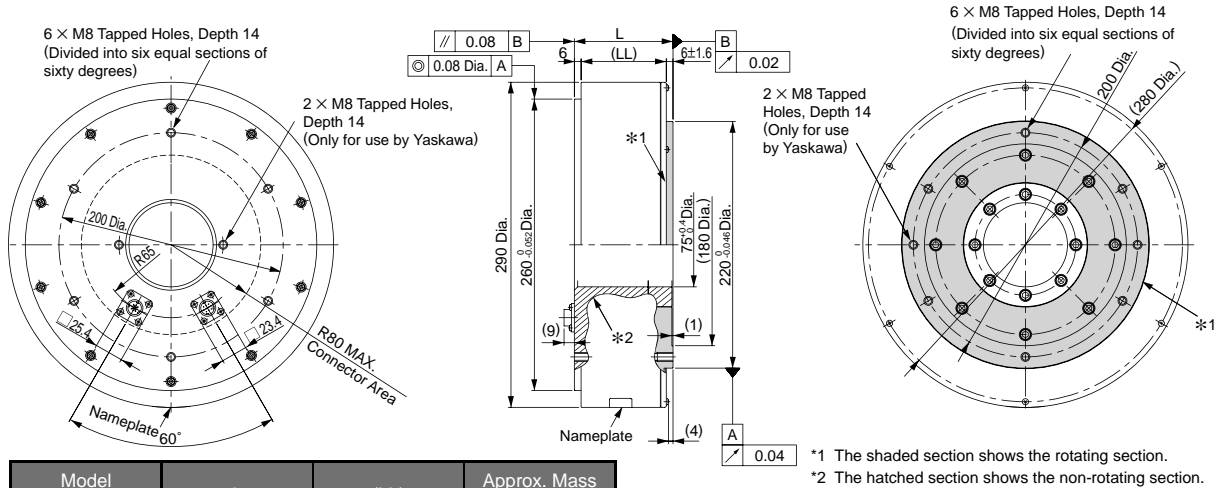
Model SGMCS-	L	(LL)	Approx. Mass kg
08D□C41	74	64	14.0
17D□C41	110	100	22.0
25D□C41	160	150	29.7



## External Dimensions Units: mm

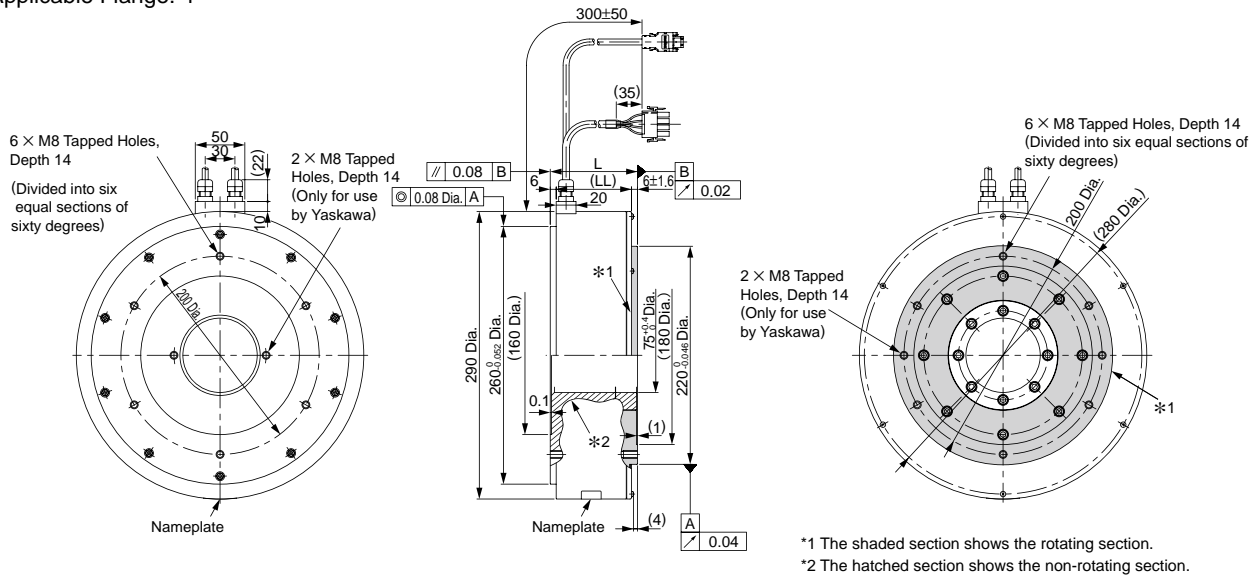
(4) Rated Torque 16.0 to 35.0 N-m (Outer Diameter 290 mm Inner Diameter 75 mm)

• Applicable Flange: 1



Model SGMCS-	L	(LL)	Approx. Mass kg
16E□B11	88	76	26.0
35E□B11	112	100	34.0

• Applicable Flange: 4



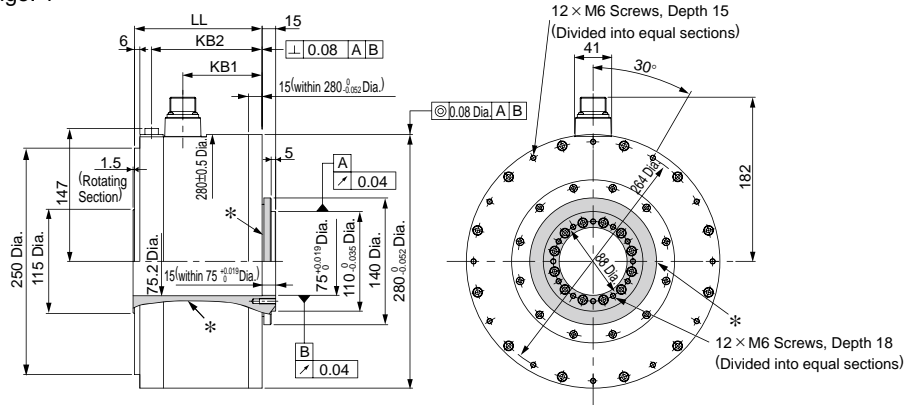
Model SGMCS-	L	(LL)	Approx. Mass kg
16E□B41	88	76	26.0
35E□B41	112	100	34.0

## External Dimensions Units: mm

### ● Medium-capacity Series

(1) Rated Torque 45 to 110 N-m (Outer Diameter 280 mm, Inner Diameter 75 mm)

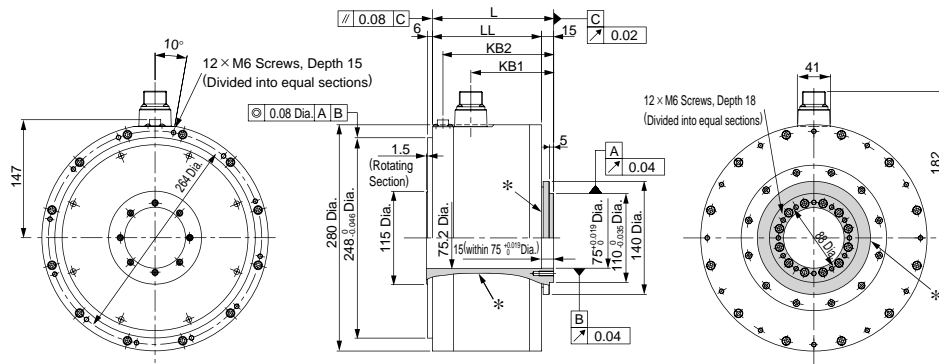
· Applicable Flange: 1



\*: The shaded section shows the rotating section.

Model SGMCS-	LL	KB1	KB2	Approx. Mass kg
45M□A11	141	87.5	122	38
80M□A11	191	137.5	172	45
1AM□A11	241	187.5	222	51

· Applicable Flange: 3

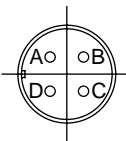


\*: The shaded section shows the rotating section.

Model SGMCS-	L	LL	KB1	KB2	Approx. Mass kg
45M□A31	150	135	102.5	137	38
80M□A31	200	185	152.5	187	45
1AM□A31	250	235	202.5	237	51

### ● Servomotor Connector for Medium-capacity Series Servomotors (Applicable Flange: 1, 3)

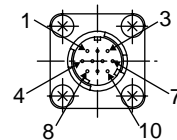
Servomotor-end Connector Specifications  
(Same for All Medium-capacity Models)



Model : CE05-2A18-10PD  
 Manufacturer : DDK Ltd.  
 Applicable plug and cable clamp :  
 Plug : CE05-6A18-10SD-B-BSS  
 Cable clamp : CE3057-10A-□(D265)

A	Phase U
B	Phase V
C	Phase W
D	FG (Frame ground)

Encoder-end Connector Specifications  
(Same for All Medium-capacity Models)



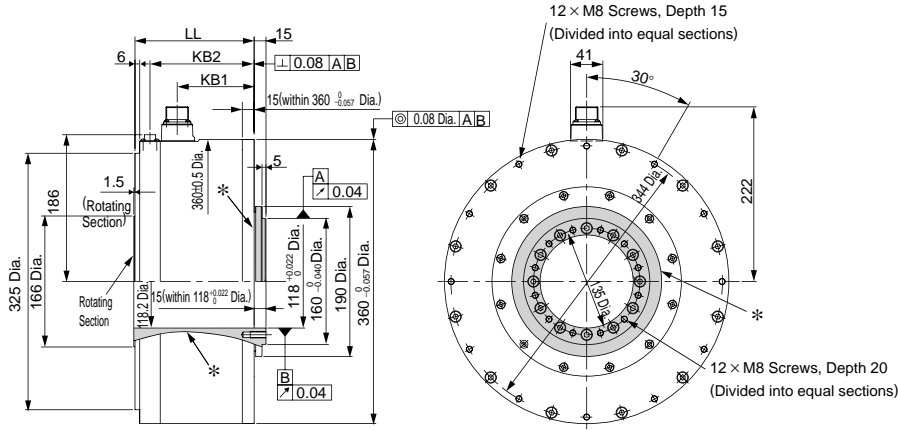
Model : JN1AS10ML1  
 Manufacturer : Japan Aviation  
 Electronics Industry, Ltd.  
 Applicable plug : JN1DS10SL1

1	PS	6	-
2	/PS	7	FG (Frame ground)
3	-	8	-
4	PG5V	9	PG0V
5	-	10	-

**External Dimensions** Units: mm

(2) Rated Torque 80 to 200 N-m (Outer Diameter 360 mm, Inner Diameter 118 mm)

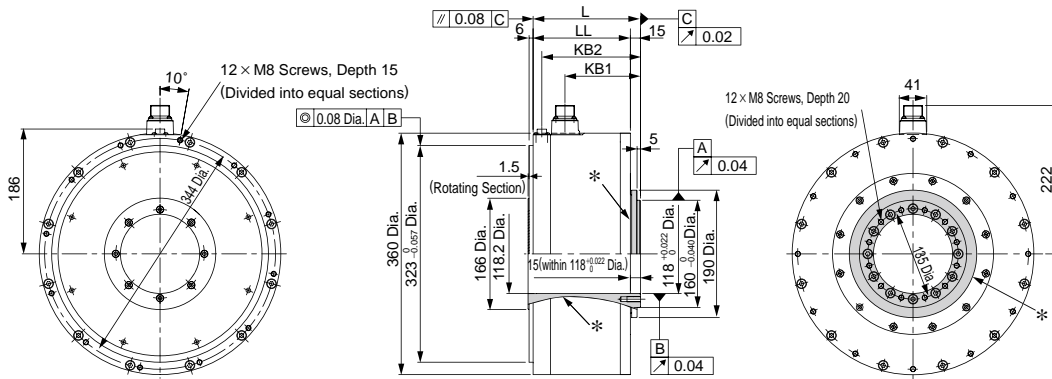
• Applicable Flange: 1



\*: The shaded section shows the rotating section.

Model SGMCS-	LL	KB1	KB2	Approx. Mass kg
80N□A11	151	98	132	50
1EN□A11	201	148	182	68
2ZN□A11	251	198	232	86

• Applicable Flange: 3

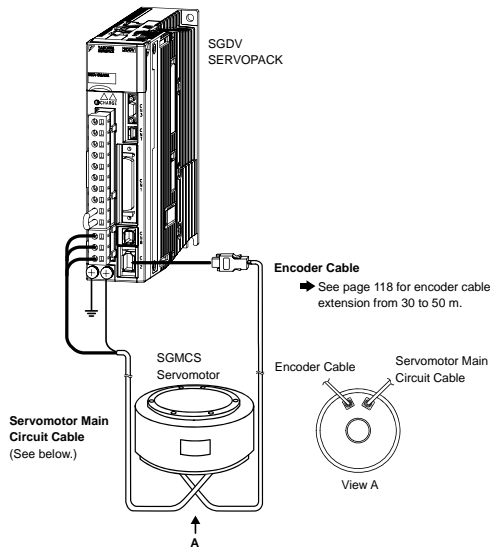


\*: The shaded section shows the rotating section.

Model SGMCS-	L	LL	KB1	KB2	Approx. Mass kg
80N□A31	160	145	113	147	50
1EN□A31	210	195	163	197	68
2ZN□A31	260	245	213	247	86

# Selecting Cables

## ● Cables Connections



## ● Servomotor Main Circuit Cables

Name	Length (L)	Order No.		Specifications	Details				
		Standard Type	Flexible Type <sup>1</sup>						
Small Capacity (02B-35E)	Cable with Loose Wire at SERVOPACK End	3 m	JZSP-CMM60-03-E	JZSP-CSM60-03-E	Applicable Flange <sup>2</sup> : 1 	(1)			
		5 m	JZSP-CMM60-05-E	JZSP-CSM60-05-E					
		10 m	JZSP-CMM60-10-E	JZSP-CSM60-10-E					
		15 m	JZSP-CMM60-15-E	JZSP-CSM60-15-E					
		20 m	JZSP-CMM60-20-E	JZSP-CSM60-20-E					
	Servomotor-end Connector	JN1DS04FK1		Soldered		(3)			
		Cables	5 m	JZSP-CSM90-05-E			JZSP-CSM80-05-E		(4)
			10 m	JZSP-CSM90-10-E			JZSP-CSM80-10-E		
			15 m	JZSP-CSM90-15-E			JZSP-CSM80-15-E		
			20 m	JZSP-CSM90-20-E			JZSP-CSM80-20-E		
50 m	JZSP-CSM90-50-E		JZSP-CSM80-50-E						
		Value Type	Premium Type <sup>3*</sup>						
Medium Capacity (45M, 80M, 80N, 1AM)	Cable with Loose Wire at SERVOPACK End	3 m	B1EV-03(A)-E	B1EP-03(A)-E		(2)			
		5 m	B1EV-05(A)-E	B1EP-05(A)-E					
		10 m	B1EV-10(A)-E	B1EP-10(A)-E					
		15 m	B1EV-15(A)-E	B1EP-15(A)-E					
		20 m	B1EV-20(A)-E	B1EP-20(A)-E					
Medium Capacity (1EN, 2ZN)	Cable with Loose Wire at SERVOPACK End	3 m	B2EV-03(A)-E	B2EP-03(A)-E		(2)			
		5 m	B2EV-05(A)-E	B2EP-05(A)-E					
		10 m	B2EV-10(A)-E	B2EP-10(A)-E					
		15 m	B2EV-15(A)-E	B2EP-15(A)-E					
		20 m	B2EV-20(A)-E	B2EP-20(A)-E					

\*1: Use flexible cables for movable sections such as robot arms.

\*2: For applicable flanges, see model designations on page 101.

\*3 Premium cables are intended for use in applications that require CE. They have a continuous flex rating and are intended for use in movable sections such as robot arms.

### NOTES:

Shaded items are non-stock.

SGMCS servomotors with holding brakes are not available.

## Selecting Cables

### (1) Small Capacity Series: Wiring Specifications for Cables

- Applicable Flange: 1

SERVOPACK End		Servomotor End	
Wire Color	Signal	Signal	Pin No.
Red	Phase U	Phase U	1
White	Phase V	Phase V	2
Blue	Phase W	Phase W	3
Green/(yellow)	FG	FG	4

- Applicable Flange: 4

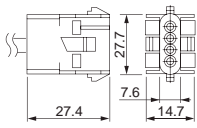
SERVOPACK End		Servomotor End	
Wire Color	Signal	Signal	Pin No.
Red	Phase U	Phase U	1
White	Phase V	Phase V	2
Blue	Phase W	Phase W	3
Green/(yellow)	FG	FG	4

### (2) Medium Capacity Series: Wiring Specifications for Cables

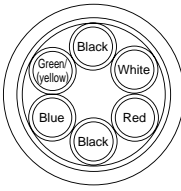
SERVOPACK-end Leads		Servomotor-end Connector	
Wire Label	Signal	Signal	Pin No.
G	FG	FG	D
W	Phase W	Phase W	C
V	Phase V	Phase V	B
U	Phase U	Phase U	A

\*For servomotors with holding brakes, the holding brake cable must also be wired.

### (3) Small-capacity Series: Servomotor-end Connector Specifications

Items	Specifications
Manufacturer	Tyco Electronics AMP K.K.
Order No.	JZSP-CMM9-3-E
Cap	350780-1
Socket	350550-6
Applicable Wire Size	AWG20 to 14
Crimp Tool	Hand tool: 90296-2 Applicator: 687763-2
External Dimensions mm	

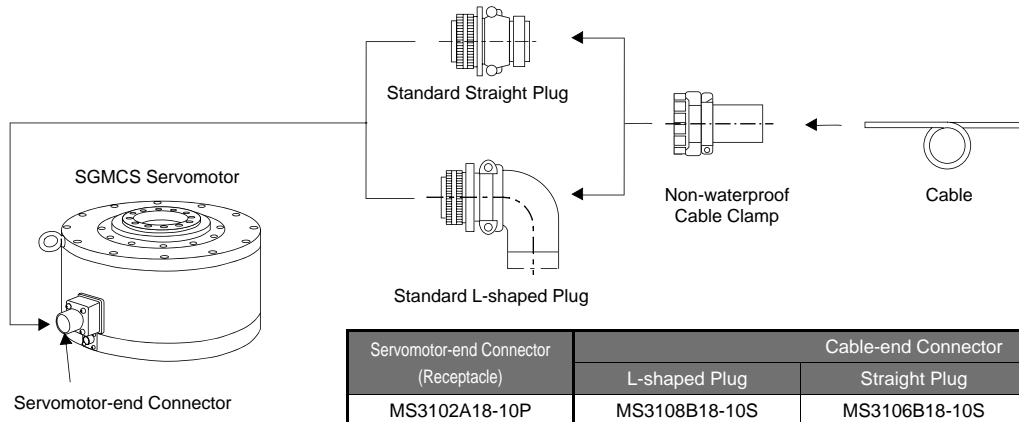
### (4) Small-capacity Series: Cable Specifications

Items	Standard Type	Flexible Type
Order No.*	JZSP-CSM90-□□-E (50 m max.)	JZSP-CSM80-□□-E (50 m max.)
Specifications	UL2517 (Max. operating temperature: 105°C) AWG20x6C For power line: AWG20 (0.52 mm <sup>2</sup> ) Outer diameter of insulating sheath: 1.53 dia. mm For holding brake line: AWG20 (0.52 mm <sup>2</sup> ) Outer diameter of insulating sheath: 1.53 dia. mm	UL2517 (Max. operating temperature: 105°C) AWG22x6C For power line: AWG22 (0.33 mm <sup>2</sup> ) Outer diameter of insulating sheath: 1.37 dia. mm For holding brake line: AWG22 (0.33 mm <sup>2</sup> ) Outer diameter of insulating sheath: 1.37 dia. mm
Finished Dimensions	7 ± 0.3 mm	
Internal Configuration and Lead Color		
Yaskawa Standard Specifications (Standard Length)	Cable length : 5 m, 10 m, 15 m, 20 m, 50 m	

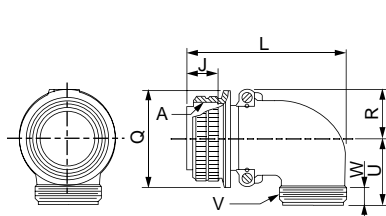
\*: Specify the cable length □□ of order no.  
Example: JZSP-CSM90-15-E (15 m)

## Selecting Cables

(Medium-capacity Series (SGMCS-□□M and N): Connector Specifications



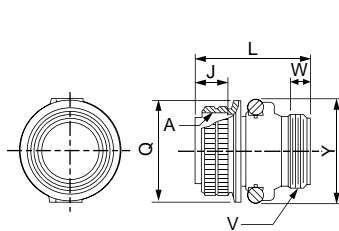
### · Dimensional Drawings: MS3108B L-shaped Plug Shell



Units: mm

Model No.	Shell Size	Joint Screw A	Length of Joint Portion ±0.12	Overall Length L Max.	Outer Diameter of Joint Nut Q $^{+0}_{-0.38}$	R ±0.5	U ±0.5	Cable Clamp Set Screw V	Effective Screw Length W Min.
MS 3108B	18	1 1/8-18UNEF	18.26	68.27	34.13	20.5	30.2	1-20UNEF	9.53

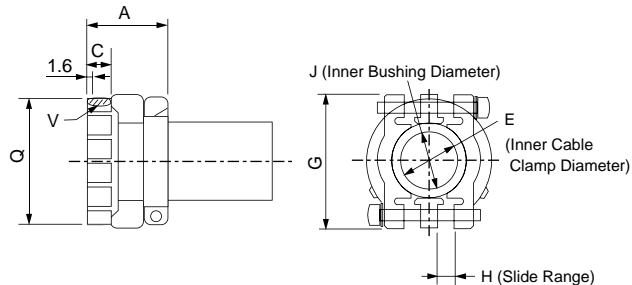
### · Dimensional Drawings: MS3106B Straight Plug Shell



Units: mm

Model No.	Shell Size	Joint Screw A	Length of Joint Portion ±0.12	Overall Length L Max.	Outer Diameter of Joint Nut Q $^{+0}_{-0.38}$	Cable Clamp Set Screw V	Effective Screw Length W Min.	Maximum Width Y Max.
MS 3106B	18	1 1/8-18UNEF	18.26	52.37	34.13	1-20UNEF	9.53	42

### · Dimensional Drawings: MS3057-10A Cable Clamp with Rubber Bushing

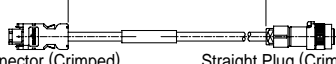
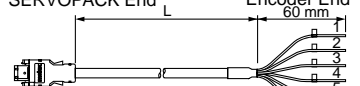
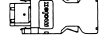
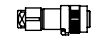



Units: mm

Model No.	Applicable Connector Shell Size	Overall Length A±0.7	Effective Screw Length C	E	G±0.7	H	J	Set Screw V	Outer Diameter Q±0.7	Attached Bushing
MS3057-10A	18	23.8	10.3	15.9	31.7	3.2	14.3	1-20UNEF	30.1	AN3420-10

## Selecting Cables

## ● Encoder Cables and Connectors (Max. length: 20 m)

Name	Length (L)	Order No.		Specifications	Details
		Standard Type	Flexible Type <sup>*1</sup>		
Cable with Connectors (For Incremental and Absolute Encoder)	3 m	JZSP-CMP60-03-E	JZSP-CSP60-03-E	Applicable Flange <sup>*2</sup> : 1, 3 SERVOPACK End  Encoder (Servomotor) End Connector (Crimped) (Molex Japan Co., Ltd.)      Straight Plug (Crimped) (Japan Aviation Electronics Industry, Ltd.)	(1)
	5 m	JZSP-CMP60-05-E	JZSP-CSP60-05-E		
	10 m	JZSP-CMP60-10-E	JZSP-CSP60-10-E		
	15 m	JZSP-CMP60-15-E	JZSP-CSP60-15-E		
	20 m	JZSP-CMP60-20-E	JZSP-CSP60-20-E		
	3 m	JZSP-CMP00-03-E	JZSP-CMP10-03-E		
5 m	JZSP-CMP00-05-E	JZSP-CMP10-05-E			
10 m	JZSP-CMP00-10-E	JZSP-CMP10-10-E			
15 m	JZSP-CMP00-15-E	JZSP-CMP10-15-E			
20 m	JZSP-CMP00-20-E	JZSP-CMP10-20-E			
Cable with Loose Wire at Encoder End (For Incremental and Absolute Encoder)	3 m	JZSP-CMP03-03-E	JZSP-CMP13-03-E	SERVOPACK End  Encoder End 60 mm Connector (Crimped) (Molex Japan Co., Ltd.)      Wire Markers	(3)
	5 m	JZSP-CMP03-05-E	JZSP-CMP13-05-E		
	10 m	JZSP-CMP03-10-E	JZSP-CMP13-10-E		
	15 m	JZSP-CMP03-15-E	JZSP-CMP13-15-E		
	20 m	JZSP-CMP03-20-E	JZSP-CMP13-20-E		
SERVOPACK-end Connector Kit		JZSP-CMP9-1-E		Soldered  (Molex Japan Co., Ltd.)	(4)
Encoder-end Connector (Straight Plug)		JN1DS10SL1		Crimping Type (A crimp tool is required.) 	
Encoder-end Connector (Socket Contact)		JN1-22-22S-PKG100		(Japan Aviation Electronics Industry, Ltd.)	
Cables	5 m	JZSP-CMP09-05-E	JZSP-CSP39-05-E		(5)
	10 m	JZSP-CMP09-10-E	JZSP-CSP39-10-E		
	15 m	JZSP-CMP09-15-E	JZSP-CSP39-15-E		
	20 m	JZSP-CMP09-20-E	JZSP-CSP39-20-E		

\*1: Use flexible cables for movable sections such as robot arms.

\*2: For applicable flanges, see model designations on page 101.

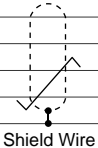
NOTE: Shaded items are non-stock.

## (1) Wiring Specifications for Cable with Connectors

- Applicable Flange: 1, 3

(Standard type)

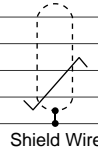
SERVOPACK End		Encoder (Servomotor) End	
Pin No.	Signal	Pin No.	Wire Color
1	PG5V	4	Red
2	PG0V	9	Black
5	PS	1	Light blue
6	/PS	2	Light blue/white
Shell	FG	7	FG Shield wire



Note: Be sure to connect the shield wire of encoder cable to the connector case (shell).

(Flexible type)

SERVOPACK End		Encoder End	
Pin No.	Signal	Pin No.	Wire Color
1	PG5V	4	Orange
2	PG0V	9	Green
5	PS	1	Black/light blue
6	/PS	2	Red/light blue
Shell	FG	7	FG Shield wire

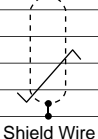


## (2) Wiring Specifications for Cable with Connectors

- Applicable Flange: 4

(Standard type)

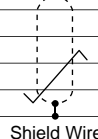
SERVOPACK End		Encoder (Servomotor) End	
Pin No.	Signal	Pin No.	Wire Color
1	PG5V	1	Red
2	PG0V	2	Black
5	PS	5	Light blue
6	/PS	6	Light blue/white
Shell	FG	7	FG Shield wire



Note: Be sure to connect the shield wire of encoder cable to the connector case (shell).

(Flexible type)

SERVOPACK End		Encoder End	
Pin No.	Signal	Pin No.	Wire Color
1	PG5V	1	Orange
2	PG0V	2	Green
5	PS	5	Red/light blue
6	/PS	6	Black/light blue
Shell	FG	7	FG Shield wire

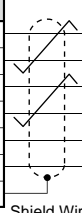


## Selecting Cables

### (3) Wiring Specifications for Cable with Loose Wire at Encoder End

(Standard type)

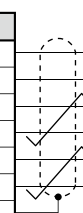
SERVOPACK End		Encoder (Servomotor) End	
Pin No.	Signal	Wire Color	Marker
6	/PS	Light blue/white	6
5	PS	Light blue	5
4	BAT(-)	Orange/white	4
3	BAT(+)	Orange	3
2	PG0V	Black	2
1	PG5V	Red	1
Shell	FG		



Shield Wire

(Flexible type)

SERVOPACK End		Encoder (Servomotor) End	
Pin No.	Signal	Wire Color	Marker
1	PG5V	Orange	1
2	PG0V	Green	2
3	BAT(+)	Red/pink	3
4	BAT(-)	Black/pink	4
5	PS	Red/light blue	5
6	/PS	Black/light blue	6
Shell	FG		

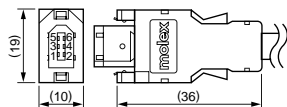
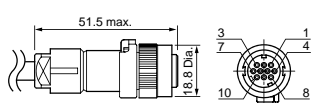


Shield Wire

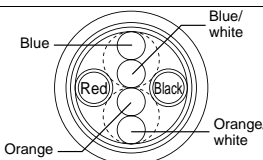
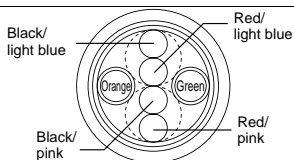
Notes: 1 The signals BAT (+) and BAT (-) are not needed when using single turn absolute feedback.

2 Be sure to connect the shield wire of encoder cable to the connector case (shell).

### (4) SERVOPACK-end Connector Specifications

Items	SERVOPACK End	Encoder End
Order No.	JZSP-CMP9-1-E	Tools are not included.
Manufacturer	Molex Japan Co., Ltd.	Japan Aviation Electronics Industry, Ltd.
Connector	55100-0670 (soldered)  Note: 55100-0670 (soldered) when using a connector kit	Straight plug: JN1DS10SL1 (crimped) Socket contact type: JN1-22-22S-PKG100 Outer diameter of applicable cable : 5.7 dia. to 7.3 dia. mm Applicable wire size: AWG21 to 25 Outer diameter of insulating sheath: 0.8 dia. to 1.5 dia. mm Crimp tool (hand tool) model: CT150-2-JN
External Dimensions (Units: mm)		

### (5) Cable Specifications

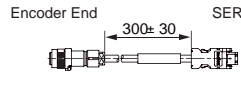
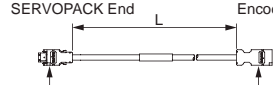

Items	Standard Type	Flexible Type
Order No.*	JZSP-CMP09-□□-E	JZSP-CSP39-□□-E
Cable Length	20 m max.	
Specifications	UL20276 (Rated temperature: 80°C) AWG22×2C+AWG24×2P AWG22 (0.33 mm <sup>2</sup> ) Outer diameter of insulating sheath: 1.15 dia. mm AWG24 (0.20 mm <sup>2</sup> ) Outer diameter of insulating sheath: 1.09 dia. mm	UL20276 (Rated temperature: 80°C) AWG22×2C+AWG24×2P AWG22 (0.33 mm <sup>2</sup> ) Outer diameter of insulating sheath: 1.35 dia. mm AWG24 (0.20 mm <sup>2</sup> ) Outer diameter of insulating sheath: 1.21 dia. mm
Finished Dimensions	6.5 dia. mm	6.8 dia. mm
Internal Configuration and Lead Colors		
Yaskawa Standard Specifications (Standard Length)	Cable length: 5 m, 10 m, 15 m, 20 m	

\* Specify the cable length in □□ of order no.  
Example: JZSP-CMP09-05-E (5 m)



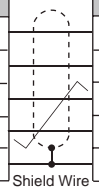
## Selecting Cables

## ● Relay Encoder Cables (For extending from 30 to 50 m)

Name	Length	Order No. Standard Type	Specifications	Details
Encoder-end Cables (For incremental and absolute encoder)	0.3 m	JZSP-CSP15-E	 Encoder End      300±30      SERVOPACK End Plug Connector (Soldered) (Molex Japan Co., Ltd.)	(1)
Cable with Connectors (For incremental and absolute encoder)	30 m	JZSP-UCMP00-30-E	 SERVOPACK End      L      Encoder End Plug Connector (Crimped) (Molex Japan Co., Ltd.)      Socket Connector (Soldered) (Molex Japan Co., Ltd.)	(2)
	40 m	JZSP-UCMP00-40-E		
	50 m	JZSP-UCMP00-50-E		
Cables	30 m	JZSP-CMP19-30-E		(3)
	40 m	JZSP-CMP19-40-E		
	50 m	JZSP-CMP19-50-E		

## (1) Wiring Specifications for Encoder-end Cable

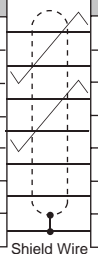
SERVOPACK End		Encoder (Servomotor) End	
Pin No.	Signal	Pin No.	Wire Color
1	PG 5V	4	Red
2	PG 0V	9	Black
5	PS	1	Light blue
6	/PS	2	Light blue/white
Shell	FG	7	FG Shield wire



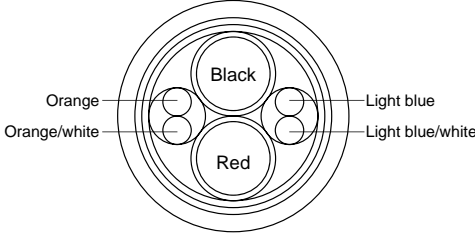
Note: Be sure to connect the shield wire of encoder cable to the connector case (shell).

## (2) Wiring Specifications for Cable with Connectors

SERVOPACK End		Encoder (Servomotor) End	
Pin No.	Signal	Pin No.	Wire Color
6	/PS	6	Light blue/white
5	PS	5	Light blue
4	BAT (-)	4	Orange/white
3	BAT (+)	3	Orange
2	PG 0V	2	Black
1	PG 5V	1	Red
Shell	FG	Shell	FG



## (3) Cable Specifications

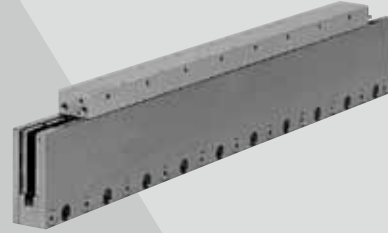
Items	Standard Type
Order No.*	JZSP-CMP19-□□-E
Cable Length	50 m max.
Specifications	UL20276 (Rated temperature: 80°C) AWG16×2C+AWG26×2P AWG16 (1.31 mm <sup>2</sup> ) Outer diameter of insulating sheath: 2.0 dia.mm AWG26 (0.13 mm <sup>2</sup> ) Outer diameter of insulating sheath: 0.91 dia. mm
Finished Dimensions	6.8 dia. mm
Internal Configuration and Lead Colors	
Yaskawa Standard Specifications (Standard Length)	Cable length: 30 m, 40 m, 50 m

\* Specify the cable length in □□ of order no.  
Example: JZSP-CMP19-30-E (30 m)

# Linear Servomotors

# SGLGW

(Coreless Type)



## Model Designations

### ● Moving Coil

**SGL G W - 30 A 050 C P**

Linear  $\Sigma$  Series  
Linear Servomotor

Servomotor Type

Code	Specifications
G	Coreless

W : Moving Coil

Magnet Height

Voltage

A: 200 VAC

Length of Moving Coil

Design Revision Order  
A, B, C...

Connector for Main Circuit Cable

Code	Specifications	Applicable Model
Blank	Connector by Tyco Electronics AMP K.K.	All models
D	Connector by Interconnectron GmbH	SGLGW -30A, -40A, -60A

Hall Sensor/Cooling Method

Code	Specifications	Applicable Model
P	With hall sensor	All models
C	Forced cooling	SGLGW-40A, -60A, -90A
H	With hall sensor and forced cooling	
Blank	Without hall sensor	All models

### ● Magnetic Way

**SGL G M - 30 108 A**

Linear  $\Sigma$  Series  
Linear Servomotor

Servomotor Type

Code	Specifications
G	Coreless

M: Magnetic Way

Magnet Height

Length of Magnetic Way

Options

Code	Specifications	Applicable Model
Blank	(standard)	All models
-M	High force	SGLGM-40, -60

Design Revision Order  
A, B, C\*...

\*: The coreless linear servomotor has revision CT.  
C = without mounting holes on the bottom  
CT = with mounting holes on the bottom

NOTE: Shaded items are non-stock.

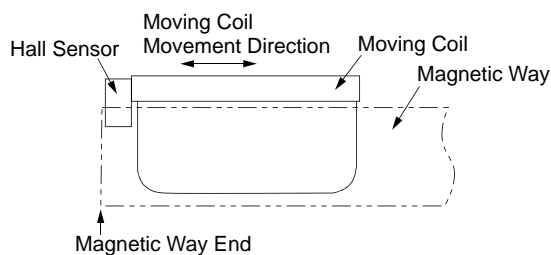
- Direct-feed mechanism for high-speed and high-precision positioning.
- Lack of magnetic attraction force helps extend the life of linear motion guides and minimizes noise.
- Zero cogging for minimal force ripple.
- Feeders and loaders
- Semiconductor equipment
- LCD manufacturing equipment

### ● Precautions on Moving Coil with Hall Sensor

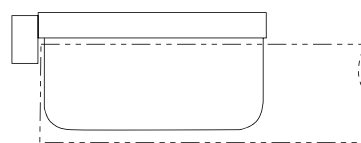
When using a moving coil with a hall sensor, the magnetic way must completely cover the bottom of the hall sensor. Refer to the example showing the correct installation.

When determining the length of the moving coil's stroke or the length of the magnetic way, consider the total length of the moving coil and the hall sensor unit. Refer to the following table.

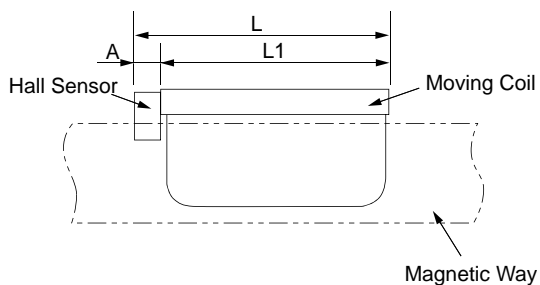
<Correct>



<Incorrect>



The total length of moving coil with hall sensor



Moving Coil Model SGLGW-	Length of Moving Coil L1 (mm)	Length of Hall Sensor Unit A (mm)	Total Length L (mm)
30A050□P□	50	0 (Included in the length of moving coil)	50
30A080□P□	80		80
40A140□P□	140	16	156
40A253□P□	252.5		268.5
40A365□P□	365		381
60A140□P□	140	16	156
60A253□P□	252.5		268.5
60A365□P□	365		381
90A200□P□	199	0 (Included in the length of moving coil)	199
90A370□P□	367		367
90A535□P□	535		535

## Ratings and Specifications

Time Rating: Continuous

Insulation Resistance: 500 VDC, 10 M $\Omega$  min.

Ambient Temperature: 0 to 40°C

Excitation: Permanent magnet

Withstand Voltage: 1500 VAC for one minute

Enclosure: Self-cooled, air-cooling (Only self-cooled type available for SGLGW-30A linear servomotor)

Ambient Humidity: 20% to 80% (no condensation)

Allowable Winding Temperature: 130°C (Thermal class B)

### ● With Standard-force Magnetic Ways

Linear Servomotor Model SGLGW- <input type="text"/>		30A			40A			60A			90A		
		050C	080C	140C	253C	365C	140C	253C	365C	200C	370C	535C	
Peak Speed*	m/s	5	5	5	5	5	4.8	4.8	4.8	4	4	4	
Rated Force*	N	12.5	25	47	93	140	70	140	210	325	550	750	
Rated Current*	A <sub>rms</sub>	0.51	0.79	0.8	1.6	2.4	1.2	2.2	3.3	4.4	7.5	10.2	
Peak Force*	N	40	80	140	280	420	220	440	660	1300	2200	3000	
Peak Current*	A <sub>rms</sub>	1.62	2.53	2.4	4.9	7.3	3.5	7.0	10.5	17.6	30.0	40.8	
Moving Coil Mass	kg	0.10	0.15	0.34	0.60	0.87	0.42	0.76	1.10	2.15	3.6	4.9	
Force Constant	N/A <sub>rms</sub>	26.4	33.9	61.5	61.5	61.5	66.6	66.6	66.6	78.0	78.0	78.0	
BEMF Constant	V/(m/s)	8.8	11.3	20.5	20.5	20.5	22.2	22.2	22.2	26.0	26.0	26.0	
Motor Constant	N/ $\sqrt{W}$	3.7	5.6	7.8	11.0	13.5	11.1	15.7	19.2	26.0	36.8	45.0	
Electrical Time Constant	ms	0.2	0.4	0.4	0.4	0.4	0.5	0.5	0.5	1.4	1.4	1.4	
Mechanical Time Constant	ms	7.30	4.78	5.59	4.96	4.77	3.41	3.08	2.98	3.18	2.66	2.42	
Thermal Resistance (With heat sink)	K/W	5.19	3.11	1.67	0.87	0.58	1.56	0.77	0.51	0.39	0.26	0.22	
Thermal Resistance (Without heat sink)	K/W	8.13	6.32	3.02	1.80	1.23	2.59	1.48	1.15	1.09	0.63	0.47	
Magnetic Attraction	N	0	0	0	0	0	0	0	0	0	0	0	
Applicable SERVOPACK	SGDV	R70A	R90A	R90A	1R6A	2R8A	1R6A	2R8A	5R5A	120A	180A	200A	

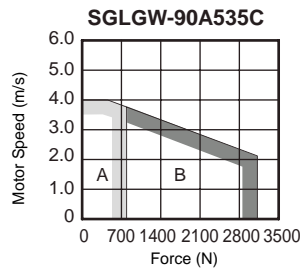
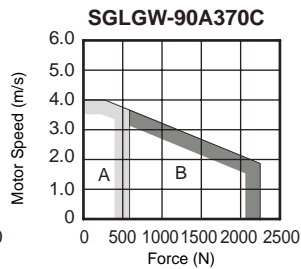
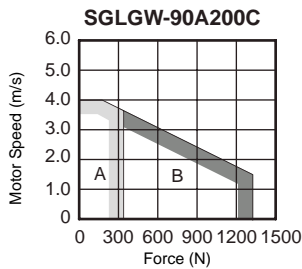
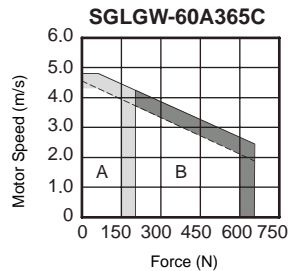
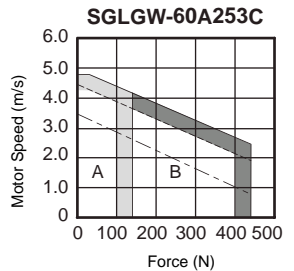
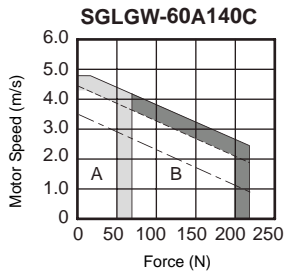
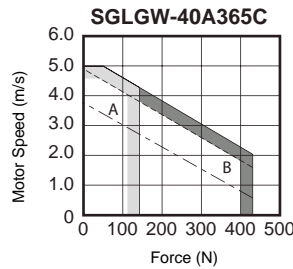
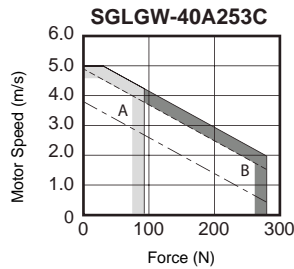
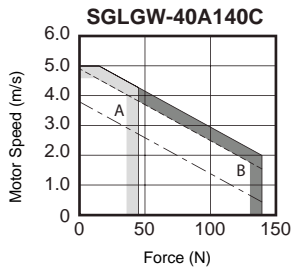
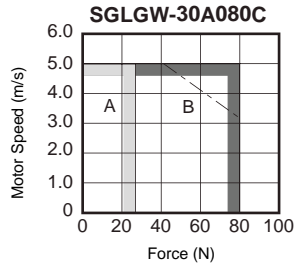
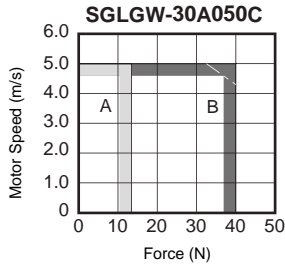
Notes: 1 The items marked with an \* and Force and Speed Characteristics (the table on the next page) are the values at a motor winding temperature of 100°C during operation in combination with a SERVOPACK. The others are at 20°C.

2 The above specifications show the values under the cooling condition when a heat sink (aluminium board) listed in the following table is mounted on the moving coil.

Heat Sink Size	Models
200 mm × 300 mm × 12 mm	SGLGW-30A050C, -30A080C, -40A140C, -60A140C
300 mm × 400 mm × 12 mm	SGLGW-40A253C, -60A253C
400 mm × 500 mm × 12 mm	SGLGW-40A365C, -60A365C
800 mm × 900 mm × 12 mm	SGLGW-90A200C, -90A370C, -90A535C

**Ratings and Specifications**

● Force and Speed Characteristics **A** : Continuous Duty Zone **B** : Intermittent Duty Zone



Notes:

- When the effective force during intermittent duty is within the rated force, the servomotor can be used within the intermittent duty zone.
- The solid, dotted, and dashed-dotted lines of the intermittent duty zone indicate the characteristics when a servomotor runs with the following combinations:
  - The solid line: With a three-phase 200 V or a single-phase 230 V SERVOPACK
  - The dotted line: With a single-phase 200 V SERVOPACK
  - The dashed-dotted line: With a single-phase 100 V SERVOPACK

## Ratings and Specifications

### ● With High-force Magnetic Ways

Linear Servomotor Model SGLGW- <input type="text"/>		40A			60A		
		140C	253C	365C	140C	253C	365C
Peak Speed*	m/s	4.2	4.2	4.2	4.2	4.2	4.2
Rated Force*	N	57	114	171	85	170	255
Rated Current*	$A_{rms}$	0.8	1.6	2.4	1.2	2.2	3.3
Peak Force*	N	230	460	690	360	720	1080
Peak Current*	$A_{rms}$	3.2	6.5	9.7	5.0	10.0	14.9
Moving Coil Mass	kg	0.34	0.60	0.87	0.42	0.76	1.10
Force Constant	$N/A_{rms}$	76.0	76.0	76.0	77.4	77.4	77.4
BEMF Constant	$V/(m/s)$	25.3	25.3	25.3	25.8	25.8	25.8
Motor Constant	$N/\sqrt{W}$	9.6	13.6	16.7	12.9	18.2	22.3
Electrical Time Constant	ms	0.4	0.4	0.4	0.5	0.5	0.5
Mechanical Time Constant	ms	3.69	3.24	3.12	2.52	2.29	2.21
Thermal Resistance (With heat sink)	K/W	1.67	0.87	0.58	1.56	0.77	0.51
Thermal Resistance (Without heat sink)	K/W	3.02	1.80	1.23	2.59	1.48	1.15
Magnetic Attraction	N	0	0	0	0	0	0
Applicable SERVOPACK	SGDV	1R6A	2R8A	3R8A	1R6A	3R8A	7R6A

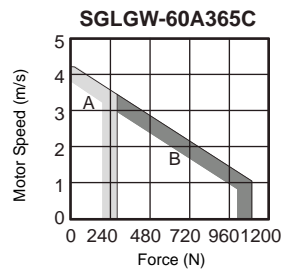
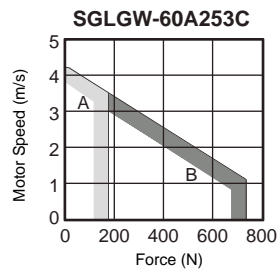
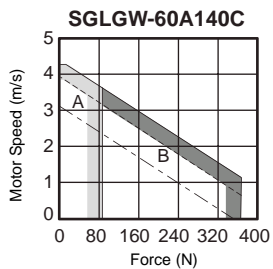
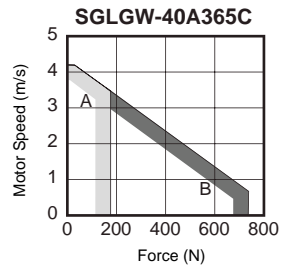
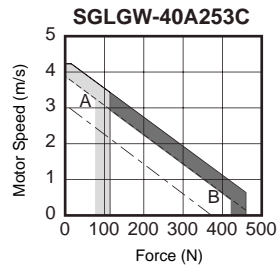
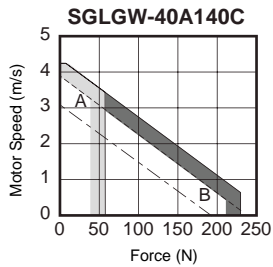
Notes: 1 The items marked with an \* and Force and Speed Characteristics (the table on the next page) are the values at a motor winding temperature of 100°C during operation in combination with a SERVOPACK. The others are at 20°C.

2 The above specifications show the values under the cooling condition when a heat sink (aluminium board) listed in the following table is mounted on the moving coil.

**Heat Sink Size** 200 mm × 300 mm × 12 mm : SGLGW-40A140C, -60A140C  
 300 mm × 400 mm × 12 mm : SGLGW-40A253C, -60A253C  
 400 mm × 500 mm × 12 mm : SGLGW-40A365C, -60A365C

## Ratings and Specifications

### ● Force and Speed Characteristics **A** : Continuous Duty Zone **B** : Intermittent Duty Zone



#### Notes:

- When the effective force during intermittent duty is within the rated force, the servomotor can be used within the intermittent duty zone.
- The solid, dotted, and dashed-dotted lines of the intermittent duty zone indicate the characteristics when a servomotor runs with the following combinations:
  - The solid line: With a three-phase 200 V or a single-phase 230 V SERVOPACK
  - The dotted line: With a single-phase 200 V SERVOPACK
  - The dashed-dotted line: With a single-phase 100 V SERVOPACK

### ● Mechanical Specifications

#### (1) Impact Resistance

- Impact acceleration: 196 m/s<sup>2</sup>
- Impact occurrences: twice

#### (2) Vibration Resistance

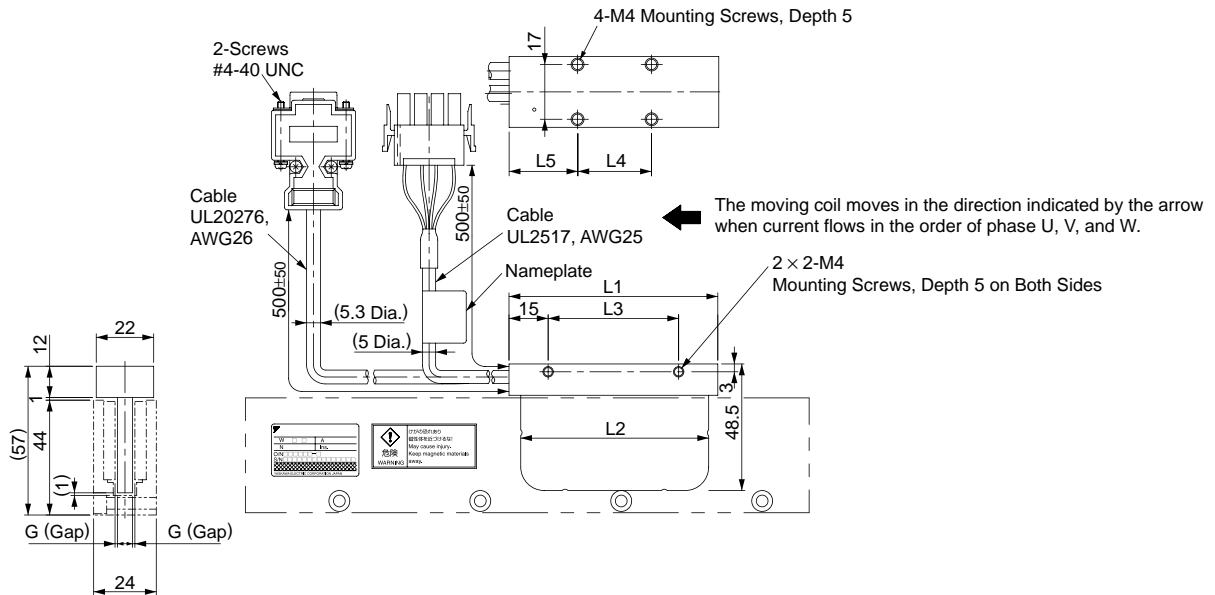
The linear servomotors will withstand the following vibration acceleration in three directions: Vertical, side to side, and front to back.

- Vibration acceleration: 49 m/s<sup>2</sup>

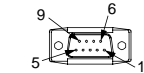
# External Dimensions Units: mm

## (1) SGLGW-30

- Moving Coil: SGLGW-30A□□□C□ (With a connector by Tyco Electronics AMP K.K.)



### Hall Sensor Connector Specifications

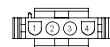


Pin Connector:  
17JE-23090-02 (D8C)  
by DDK Ltd.

The Mating Connector  
Socket Connector  
: 17JE-13090-02 (D8C)  
Stud : 17L-002C or  
17L-002C1

Pin No.	Signal
1	+5V (Power supply)
2	Phase U
3	Phase V
4	Phase W
5	0V (Power supply)
6	Not used
7	Not used
8	Not used
9	Not used

### Linear Servomotor Connector Specifications



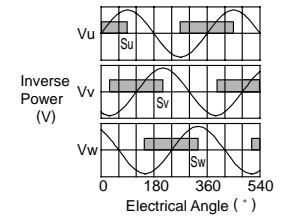
Plug : 350779-1  
Pin : 350924-1 or  
770672-1  
by Tyco Electronics AMP K.K.

The Mating Connector  
Cap : 350780-1  
Socket : 350925-1 or  
770673-1

Pin No.	Signal	Wire Color
1	Phase U	Red
2	Phase V	White
3	Phase W	Blue
4	FG	Green

### Hall Sensor Output Signals

When the moving coil moves in the direction indicated by the arrow in the figure, the relationship between the hall sensor output signals  $S_u$ ,  $S_v$ ,  $S_w$  and the inverse power of each motor phase  $V_u$ ,  $V_v$ ,  $V_w$  becomes as shown in the figure below.



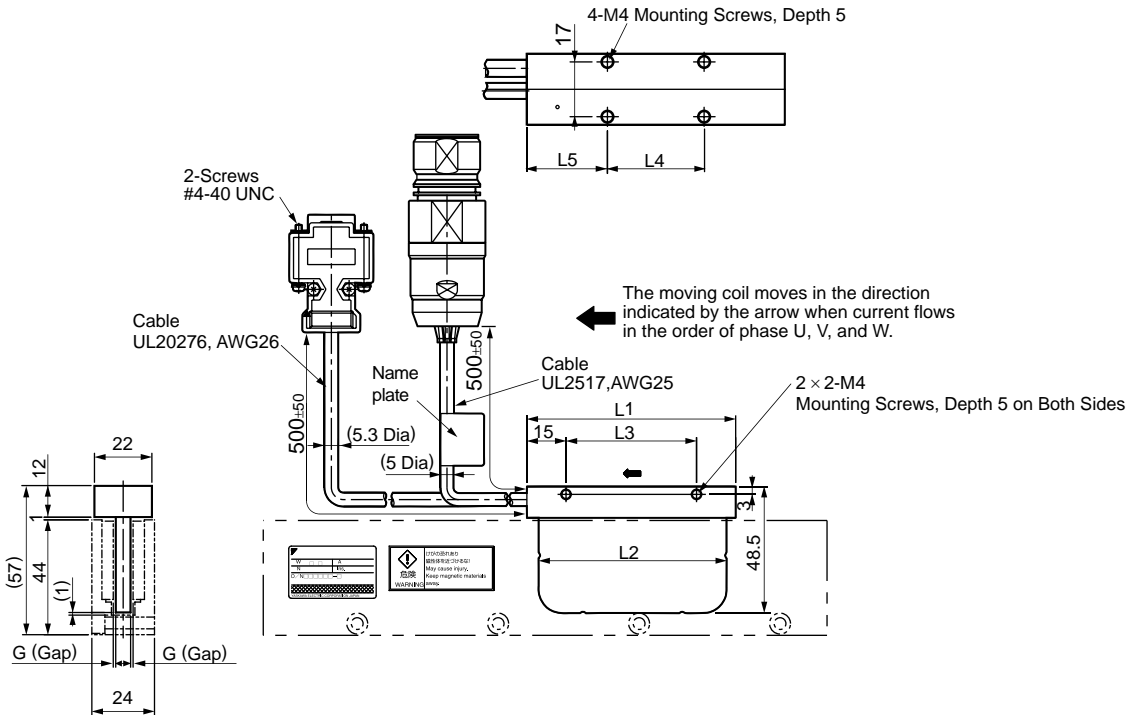
Moving Coil Model SGLGW-	L1	L2	L3	L4	L5	G (Gap)	Approx. Mass* kg
30A050C□	50	48	30	20	20	0.85	0.14
30A080C□	80	72	50	30	25	0.95	0.19

\*: The values indicate the mass of moving coil with a hall sensor unit.

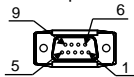


**External Dimensions** Units: mm

- Moving Coil: SGLGW-30A□□□□D (With a connector by Interconnectron GmbH)



**Hall Sensor Connector Specifications**

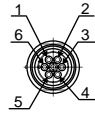


Pin Connector :  
17JE-23090-02 (D8C)  
by DDK Ltd.

The Mating Connector  
Socket Connector :  
17JE-13090-02 (D8C)  
Stud : 17L-002C or  
17L-002C1

Pin No.	Signal
1	+5V (Power supply)
2	Phase U
3	Phase V
4	Phase W
5	0V (Power supply)
6	Not used
7	Not used
8	Not used
9	Not used

**Linear Servomotor Connector Specifications**



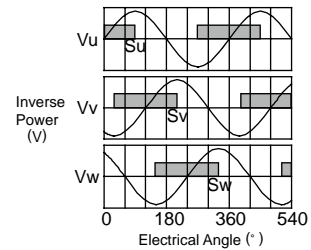
Extension: SROC06JM5CN169  
Pin : 021.423.1020  
by Interconnectron GmbH

The Mating Connector  
Plug : SPUC06KFSDN236  
Socket: 020.030.1020

Pin No.	Signal	Wire Color
1	Phase U	Red
2	Phase V	White
3	Phase W	Blue
4	Not used	-
5	Not used	-
6	FG	Green

**Hall Sensor Output Signals**

When the moving coil moves in the direction indicated by the arrow in the figure, the relationship between the hall sensor output signals Su, Sv, Sw and the inverse power of each motor phase Vu, Vv, Vw becomes as shown in the figure below.

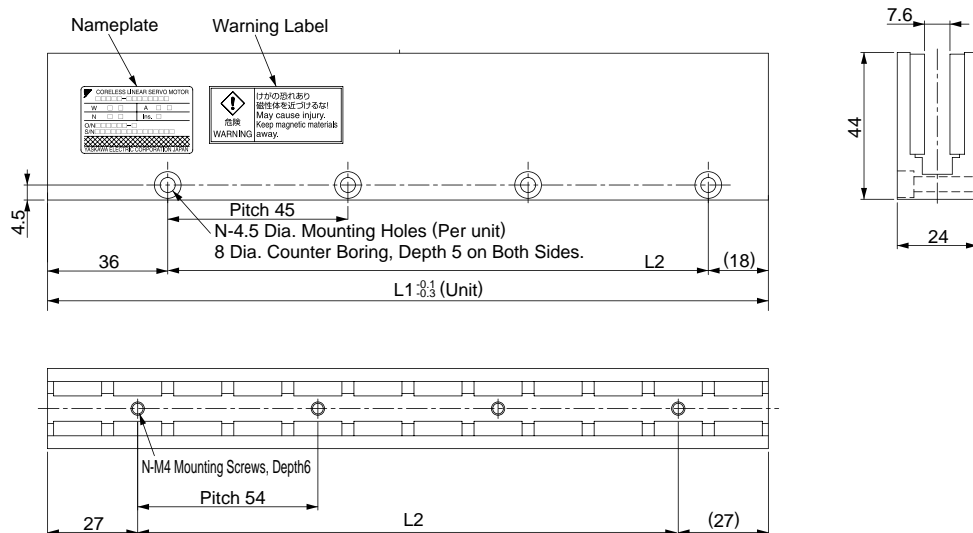


Moving Coil Model SGLGW-	L1	L2	L3	L4	L5	G (Gap)	Approx. Mass* kg
30A050C□□D	50	48	30	20	20	0.85	0.14
30A080C□□D	80	72	50	30	25	0.95	0.19

\*: The values indicate the mass of moving coil with a hall sensor unit.

## External Dimensions Units: mm

### ● Magnetic Way: SGLGM-30□□□A



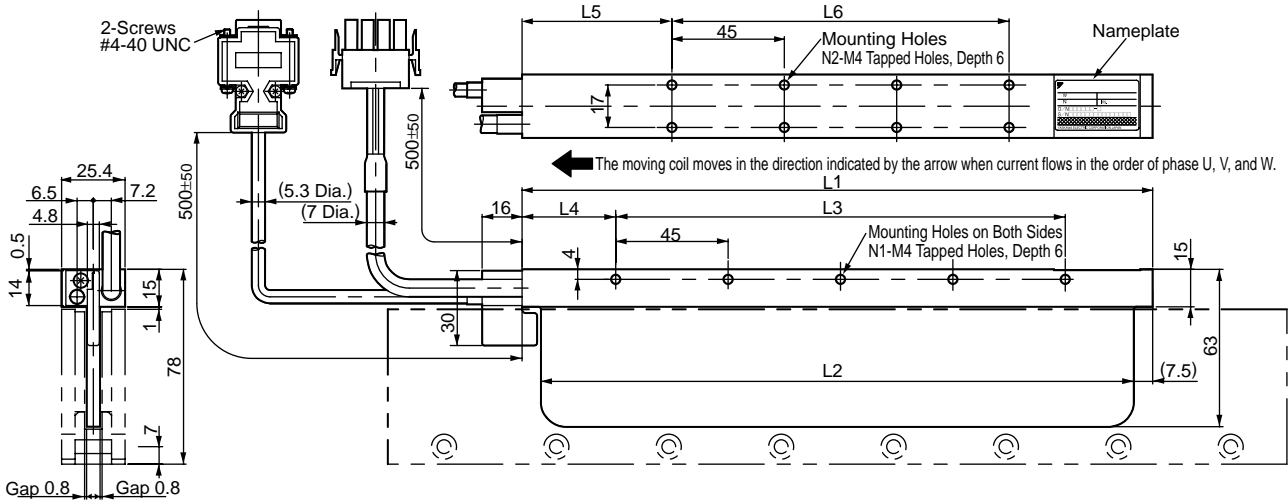
Magnetic Way Model SGLGM-	L1	L2	N	Approx. Mass kg
30108A	108	54	2	0.6
30216A	216	162	4	1.1
30432A	432	378	8	2.3

Note: If you have a pacemaker or any other electronic medical device, do not go near the magnetic way of the linear servomotor.

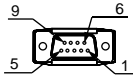
**External Dimensions** Units: mm

(2) SGLGW-40

- Moving Coil: SGLGW-40A□□□□□ (With a connector by Tyco Electronics AMP K.K.)



**Hall Sensor Connector Specifications**



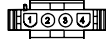
Pin Connector :  
17JE-23090-02 (D8C)  
by DDK Ltd.

The Mating Connector

Socket Connector :  
17JE-13090-02 (D8C)  
Stud : 17L-002C or  
17L-002C1

Pin No.	Signal
1	+5V (Power supply)
2	Phase U
3	Phase V
4	Phase W
5	0V (Power supply)
6	Not used
7	Not used
8	Not used
9	Not used

**Linear Servomotor Connector Specifications**



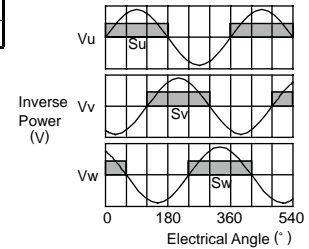
Plug : 350779-1  
Pin : 350561-3 or  
350690-3 (No.1 to 3)  
350654-1  
350669-1 (No.4)  
by Tyco Electronics AMP K.K.

The Mating Connector  
Cap : 350780-1  
Socket : 350570-3 or  
350689-3

Pin No.	Signal	Wire Color
1	Phase U	Red
2	Phase V	White
3	Phase W	Blue
4	FG	Green

**Hall Sensor Output Signals**

When the moving coil moves in the direction indicated by the arrow in the figure, the relationship between the hall sensor output signals Su, Sv, Sw and the inverse power of each motor phase Vu, Vv, Vw becomes as shown in the figure below.

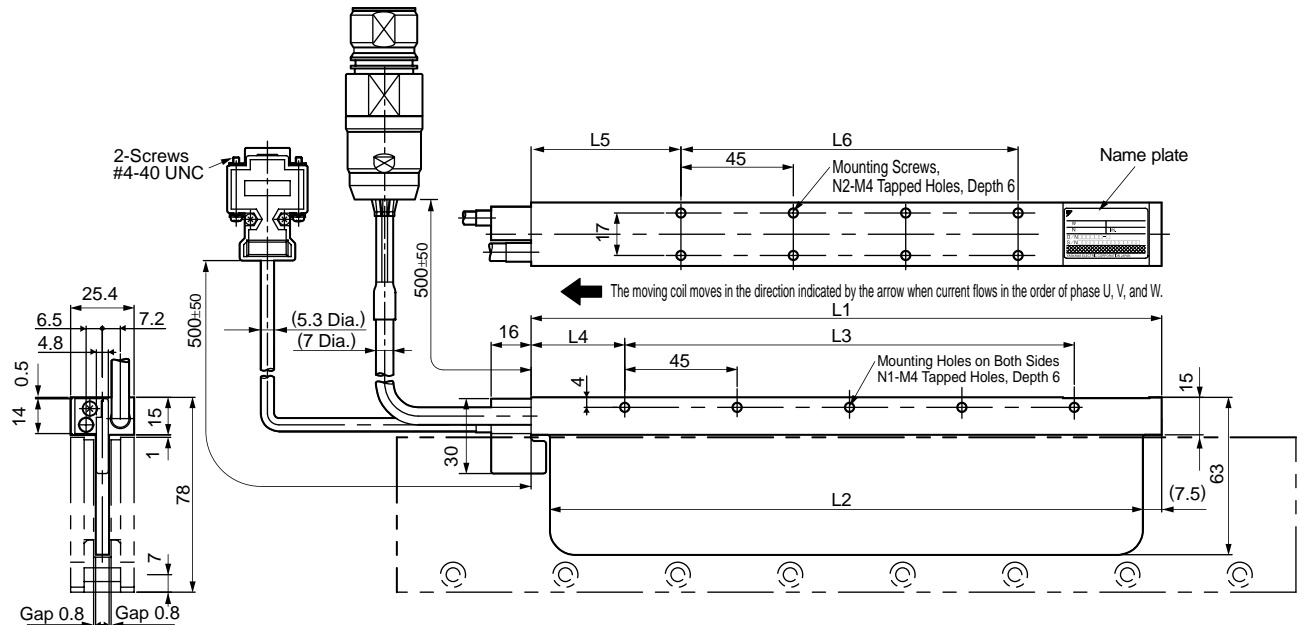


Moving Coil Model SGLGW-	L1	L2	L3	L4	L5	L6	N1	N2	Approx. Mass* kg
40A140C□	140	125	90	30	52.5	45	3	4	0.40
40A253C□	252.5	237.5	180	37.5	60	135	5	8	0.66
40A365C□	365	350	315	30	52.5	270	8	14	0.93

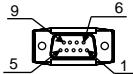
\*: The values indicate the mass of moving coil with a hall sensor unit.

## External Dimensions Units: mm

- Moving Coil: SGLGW-40A□□□C□D (With a connector by Interconnectron GmbH)



### Hall Sensor Connector Specifications

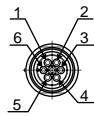


Pin Connector :  
17JE-23090-02 (D8C)  
by DDK Ltd.

The Mating Connector  
Socket Connector :  
17JE-13090-02 (D8C)  
Stud : 17L-002C or  
17L-002C1

Pin No.	Signal
1	+5V (Power supply)
2	Phase U
3	Phase V
4	Phase W
5	0V (Power supply)
6	Not used
7	Not used
8	Not used
9	Not used

### Linear Servomotor Connector Specifications



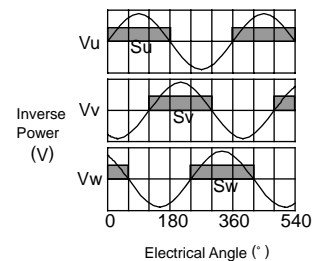
Extension: SROC06JM5CN169  
Pin : 021.423.1020  
by Interconnectron GmbH

The Mating Connector  
Plug : SPUC06KFSDN236  
Socket: 020.030.1020

Pin No.	Signal	Wire Color
1	Phase U	Red
2	Phase V	White
3	Phase W	Blue
4	Not used	-
5	Not used	-
6	FG	Green

### Hall Sensor Output Signals

When the moving coil moves in the direction indicated by the arrow in the figure, the relationship between the hall sensor output signals Su, Sv, Sw and the inverse power of each motor phase Vu, Vv, Vw becomes as shown in the figure below.

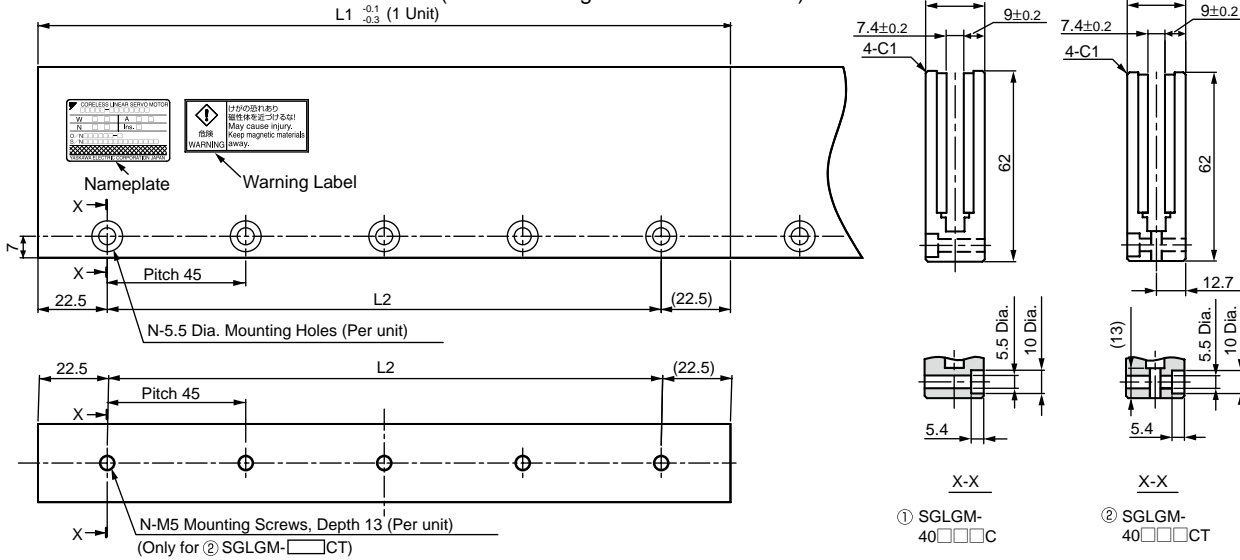


Moving Coil Model SGLGW-	L1	L2	L3	L4	L5	L6	N1	N2	Approx. Mass* kg
40A140C□D	140	125	90	30	52.5	45	3	4	0.40
40A253C□D	252.5	237.5	180	37.5	60	135	5	8	0.66
40A365C□D	365	350	315	30	52.5	270	8	14	0.93

\*: The values indicate the mass of moving coil with a hall sensor unit.

**External Dimensions** Units: mm

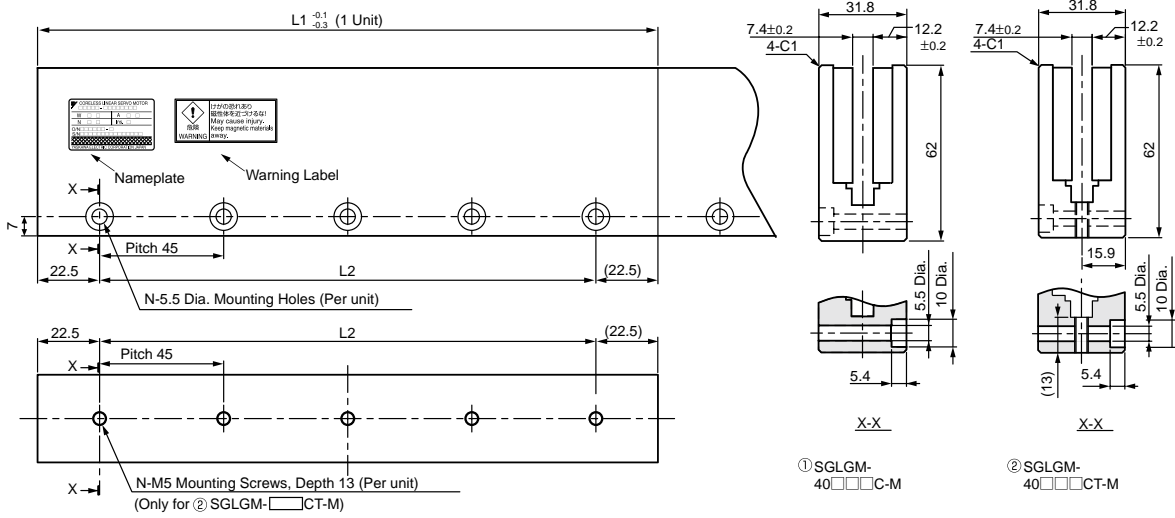
- Magnetic Way : SGLGM-40□□□C (Without mounting holes on the bottom)  
SGLGM-40□□□CT (With mounting holes on the bottom)



Type	Standard-force Magnetic Way Model SGLGM-	L1	L2	N	Approx. Mass kg
Standard Force	40090C or 40090CT	90	45	2	0.8
	40225C or 40225CT	225	180	5	2.0
	40360C or 40360CT	360	315	8	3.1
	40405C or 40405CT	405	360	9	3.5
	40450C or 40450CT	450	405	10	3.9

Note: If you have a pacemaker or any other electronic medical device, do not go near the magnetic way of the linear servomotor.

- High-force Magnetic Way : SGLGM-40□□□C-M (Without mounting holes on the bottom)  
SGLGM-40□□□CT-M (With mounting holes on the bottom)



Type	High-force Magnetic Way Model SGLGM-	L1	L2	N	Approx. Mass kg
High Force	40090C-M or 40090CT-M	90	45	2	1.0
	40225C-M or 40225CT-M	225	180	5	2.6
	40360C-M or 40360CT-M	360	315	8	4.1
	40405C-M or 40405CT-M	405	360	9	4.6
	40450C-M or 40450CT-M	450	405	10	5.1

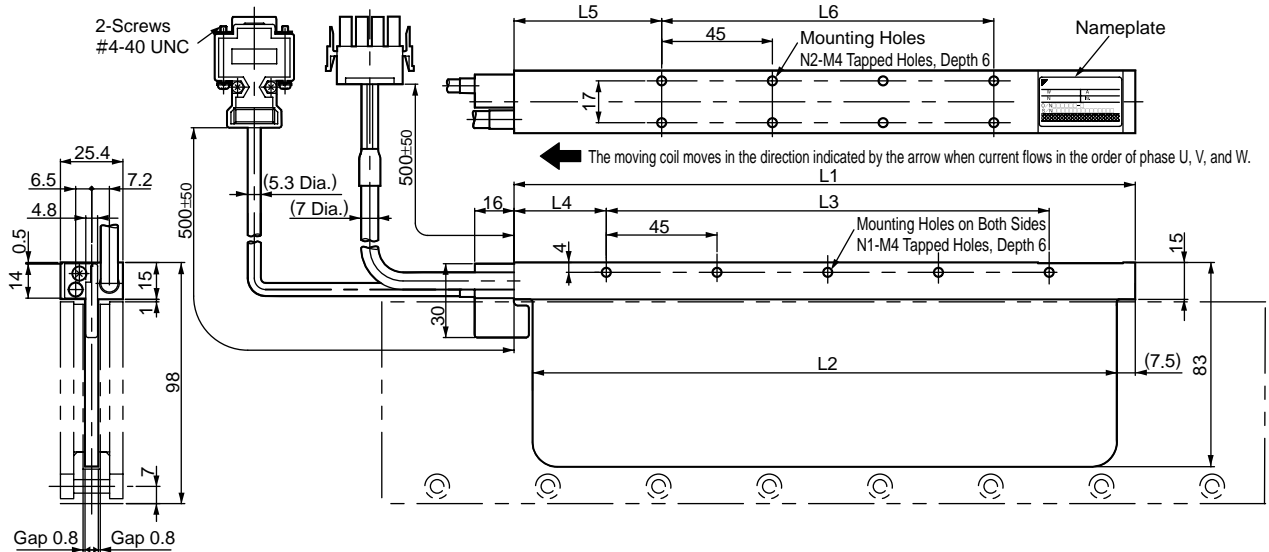
Note: If you have a pacemaker or any other electronic medical device, do not go near the magnetic way of the linear servomotor.

Linear Servomotors

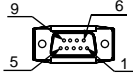
# External Dimensions Units: mm

## (3) SGLGW-60

- Moving Coil: SGLGW-60A□□□C□ (With a connector by Tyco Electronics AMP K.K.)



### Hall Sensor Connector Specifications

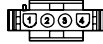


Pin Connector :  
17JE-23090-02 (D8C)  
by DDK Ltd.

The Mating Connector  
Socket Connector :  
17JE-13090-02 (D8C)  
Stud : 17L-002C or  
17L-002C1

Pin No.	Signal
1	+5V (Power supply)
2	Phase U
3	Phase V
4	Phase W
5	0V (Power supply)
6	Not used
7	Not used
8	Not used
9	Not used

### Linear Servomotor Connector Specifications



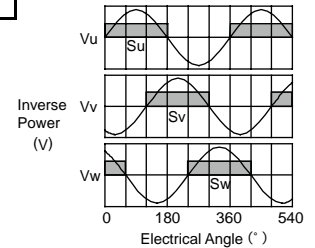
Plug : 350779-1  
Pin : 350561-3 or  
350690-3 (No.1 to 3)  
350654-1  
350669-1 (No.4)  
by Tyco Electronics AMP K.K.

The Mating Connector  
Cap : 350780-1  
Socket : 350570-3 or  
350689-3

Pin No.	Signal	Wire Color
1	Phase U	Red
2	Phase V	White
3	Phase W	Blue
4	FG	Green

### Hall Sensor Output Signals

When the moving coil moves in the direction indicated by the arrow in the figure, the relationship between the hall sensor output signals  $S_u$ ,  $S_v$ ,  $S_w$  and the inverse power of each motor phase  $V_u$ ,  $V_v$ ,  $V_w$  becomes as shown in the figure below.

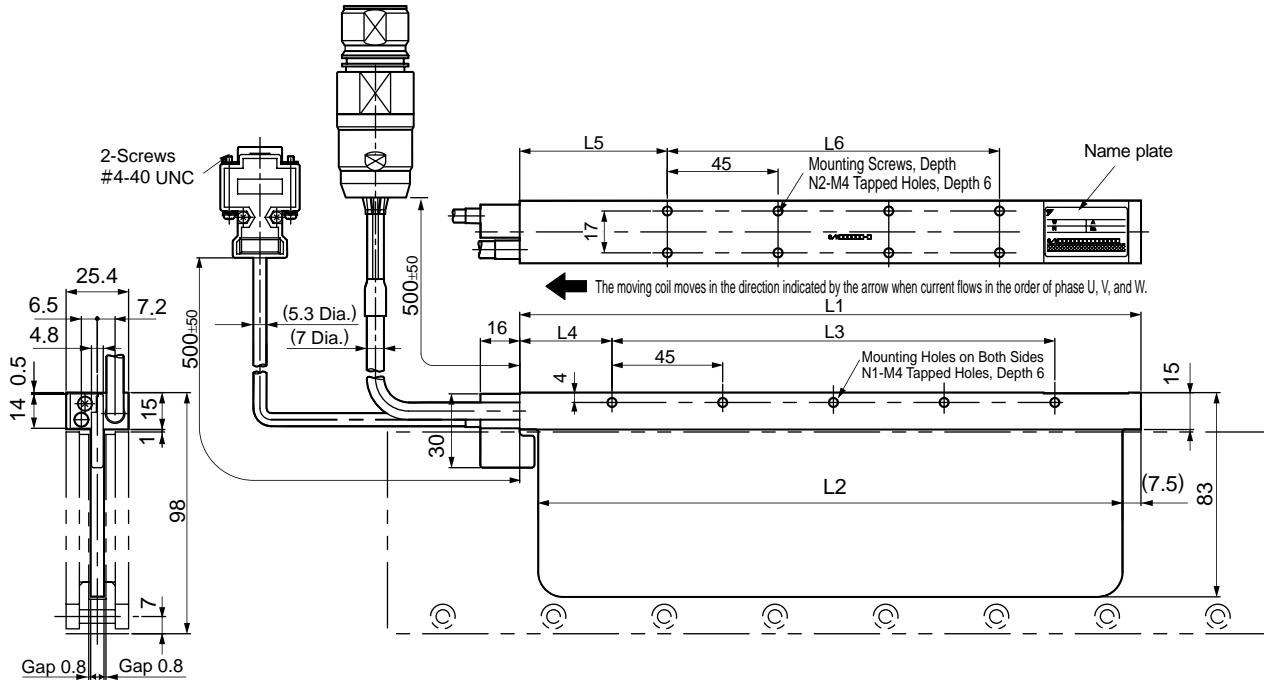


Moving Coil Model SGLGW-	L1	L2	L3	L4	L5	L6	N1	N2	Approx. Mass* kg
60A140C□	140	125	90	30	52.5	45	3	4	0.48
60A253C□	252.5	237.5	180	37.5	60	135	5	8	0.82
60A365C□	365	350	315	30	52.5	270	8	14	1.16

\*: The values indicate the mass of moving coil with a hall sensor unit.

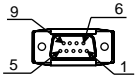
**External Dimensions** Units: mm

- Moving Coil: SGLGW-60A□□□□D (With a connector by Interconnectron GmbH)



Linear Servomotors

**Hall Sensor Connector Specifications**

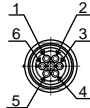


Pin Connector :  
17JE-23090-02 (D8C)  
by DDK Ltd.

The Mating Connector  
Socket Connector :  
17JE-13090-02 (D8C)  
Stud : 17L-002C or  
17L-002C1

Pin No.	Signal
1	+5V (Power supply)
2	Phase U
3	Phase V
4	Phase W
5	0V (Power supply)
6	Not used
7	Not used
8	Not used
9	Not used

**Linear Servomotor Connector Specifications**



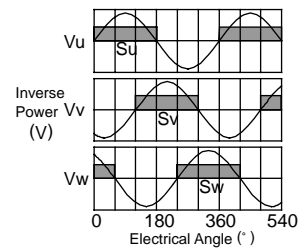
Extension: SROC06JMSCN169  
Pin : 021.423.1020  
by Interconnectron GmbH

The Mating Connector  
Plug : SPUC06KFSDN236  
Socket: 020.030.1020

Pin No.	Signal	Wire Color
1	Phase U	Red
2	Phase V	White
3	Phase W	Blue
4	Not used	-
5	Not used	-
6	FG	Green

**Hall Sensor Output Signals**

When the moving coil moves in the direction indicated by the arrow in the figure, the relationship between the hall sensor output signals Su, Sv, Sw and the inverse power of each motor phase Vu, Vv, Vw becomes as shown in the figure below.

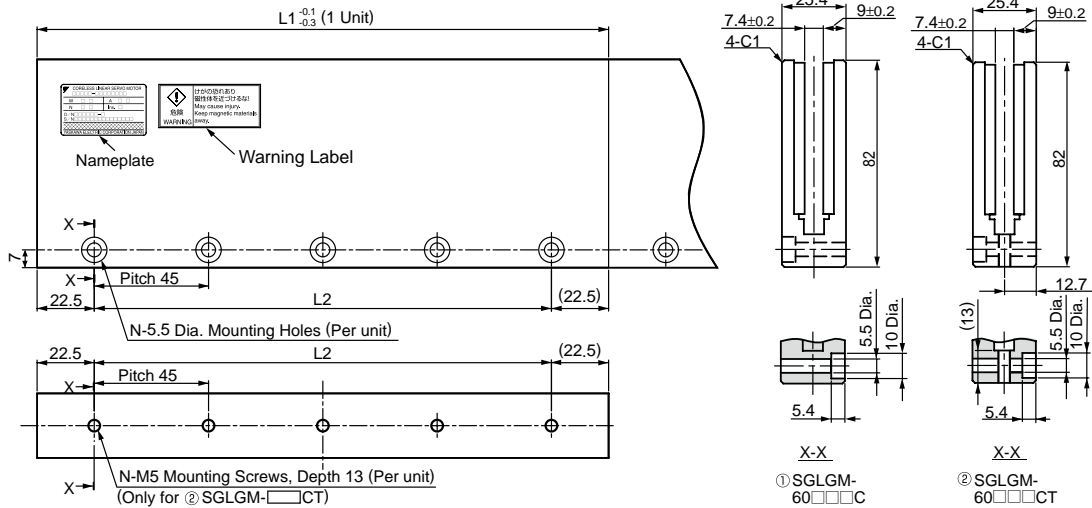


Moving Coil Model SGLGW-	L1	L2	L3	L4	L5	L6	N1	N2	Approx. Mass* kg
60A140C□□D	140	125	90	30	52.5	45	3	4	0.48
60A253C□□D	252.5	237.5	180	37.5	60	135	5	8	0.82
60A365C□□D	365	350	315	30	52.5	270	8	14	1.16

\*: The values indicate the mass of moving coil with a hall sensor unit.

# External Dimensions Units: mm

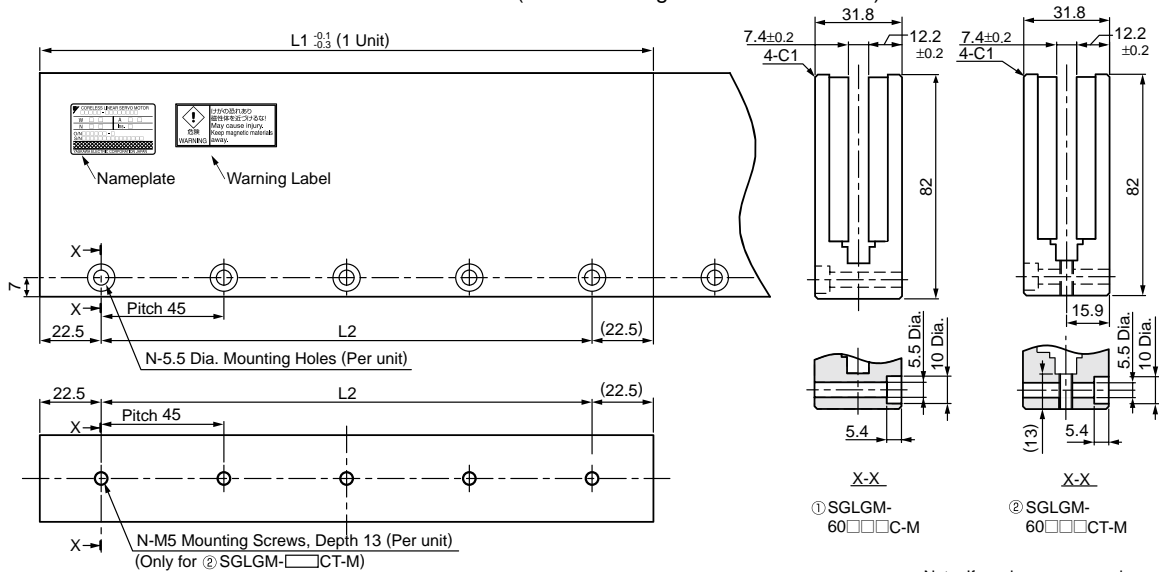
- Magnetic Way : SGLGM-60□□□C (Without mounting holes on the bottom)  
SGLGM-60□□□CT (With mounting holes on the bottom)



Type	Standard-force Magnetic Way Model SGLGM-	L1	L2	N	Approx. Mass kg
Standard Force	60090C or 60090CT	90	45	2	1.1
	60225C or 60225CT	225	180	5	2.6
	60360C or 60360CT	360	315	8	4.1
	60405C or 60405CT	405	360	9	4.6
	60450C or 60450CT	450	405	10	5.1

Note: If you have a pacemaker or any other electronic medical device, do not go near the magnetic way of the linear servomotor.

- High-force Magnetic Way : SGLGM-60□□□C-M (Without mounting holes on the bottom)  
SGLGM-60□□□CT-M (With mounting holes on the bottom)



Type	High-force Magnetic Way Model SGLGM-	L1	L2	N	Approx. Mass kg
High Force	60090C-M or 60090CT-M	90	45	2	1.3
	60225C-M or 60225CT-M	225	180	5	3.3
	60360C-M or 60360CT-M	360	315	8	5.2
	60405C-M or 60405CT-M	405	360	9	5.9
	60450C-M or 60450CT-M	450	405	10	6.6

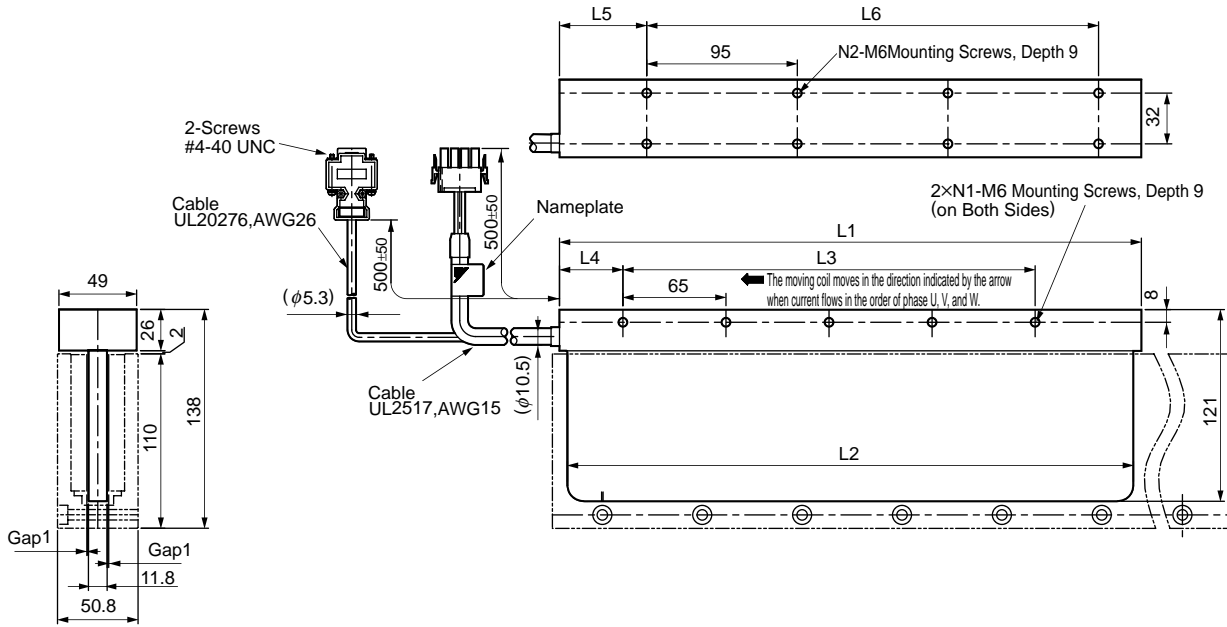
Note: If you have a pacemaker or any other electronic medical device, do not go near the magnetic way of the linear servomotor.



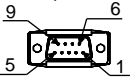
**External Dimensions** Units: mm

(4) SGLGW-90

- Moving Coil: SGLGW-90A□□□□□ (With a connector by Tyco Electronics AMP K.K.)



Hall Sensor Connector Specifications



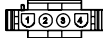
Pin Connector :  
17JE-23090-02 (D8C)  
by DDK Ltd.

The Mating Connector

Socket Connector :  
17JE-13090-02 (D8C)  
Stud : 17L-002C or  
17L-002C1

Pin No.	Signal
1	+5V (Power supply)
2	Phase U
3	Phase V
4	Phase W
5	0V (Power supply)
6	Not used
7	Not used
8	Not used
9	Not used

Linear Servomotor Connector Specifications



Plug : 350779-1  
Pin : 350218-3 or  
350547-3 (No.1 or 3)  
350654-1  
350669-1 (No.4)  
by Tyco Electronics AMP K.K.

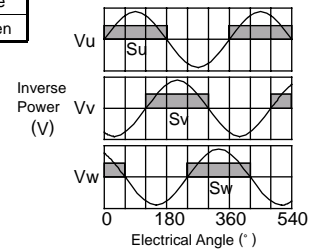
The Mating Connector

Cap : 350780-1  
Socket : 350536-3 or  
350550-3

Pin No.	Signal	Wire Color
1	Phase U	Red
2	Phase V	White
3	Phase W	Blue
4	FG	Green

Hall Sensor Output Signals

When the moving coil moves in the direction indicated by the arrow in the figure, the relationship between the hall sensor output signals Su, Sv, Sw and the inverse power of each motor phase Vu, Vv, Vw becomes as shown in the figure below.

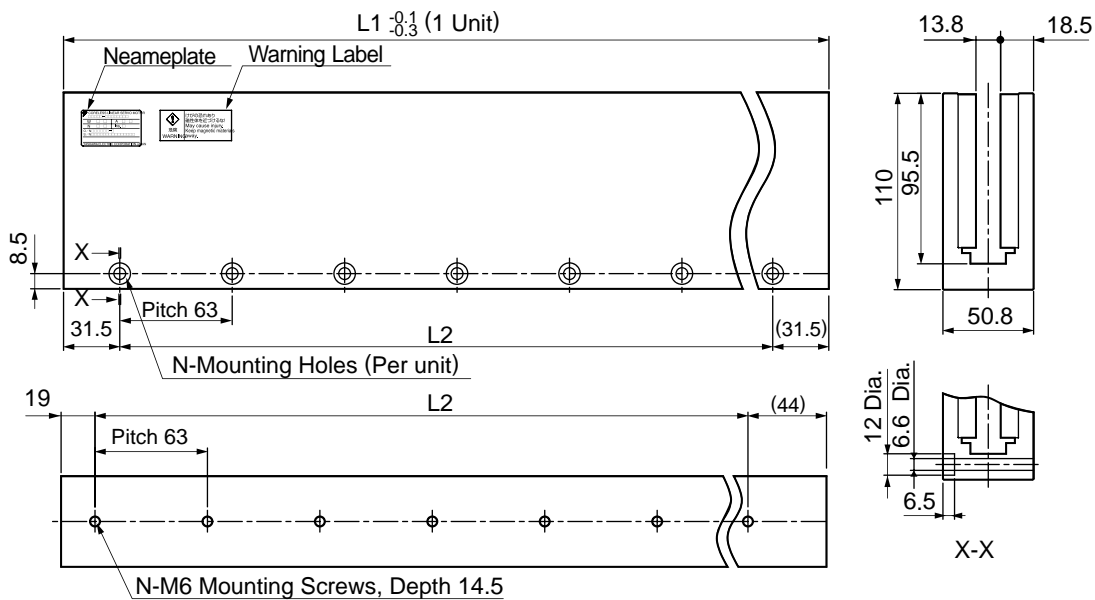


Moving Coil Model SGLGW-	L1	L2	L3	L4	L5	L6	N1	N2	Approx. Mass* kg
90A200C□	199	189	130	40	60	95	3	4	2.2
90A370C□	367	357	260	40	55	285	5	8	3.65
90A535C□	535	525	455	40	60	380	8	10	4.95

\*: The values indicate the mass of moving coil with a hall sensor unit.

**External Dimensions** Units: mm

- Magnetic Way: SGLGM-90□□□A

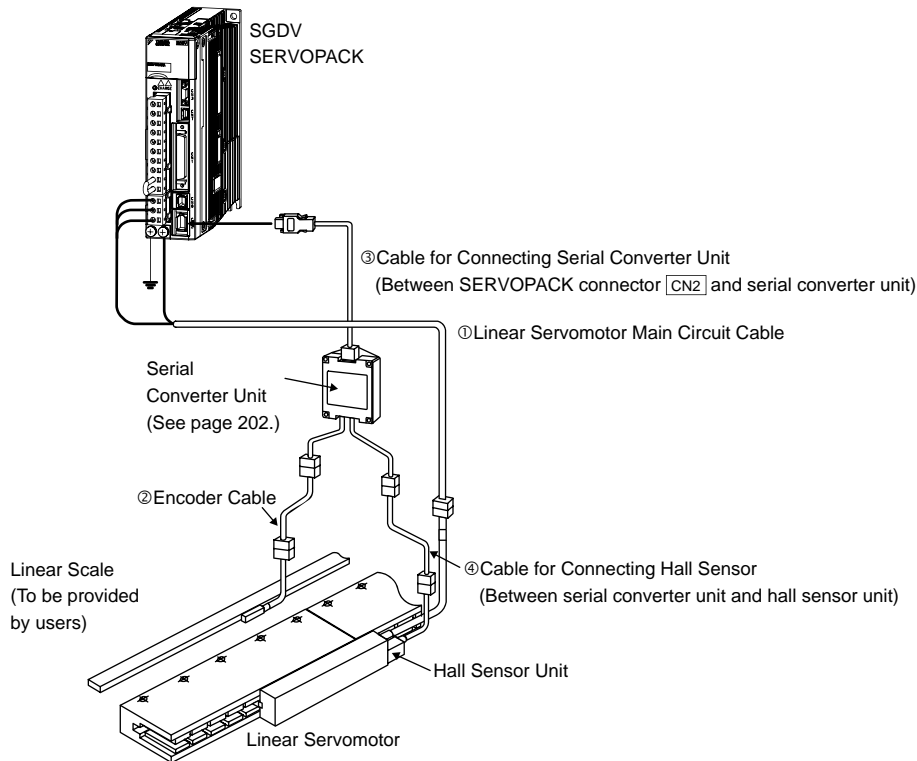


Magnetic Way SGLGM-	L1	L2	N	Approx. Mass kg
90252A	252	189	4	7.3
90504A	504	441	8	14.7

Note: If you have a pacemaker or any other electronic medical device, do not go near the magnetic way of the linear servomotor.

Selecting Cables

● Cables Connections



● Cables

Name	Applicable Linear Servomotor Model	Length	Order No.	Specifications	Details
① Linear Servomotor Main Circuit Cables	SGLGW-30,-40,-60	1 m	JZSP-CLN11-01-E	SERVOPACK End      Linear Servomotor End 	(1)
		3 m	JZSP-CLN11-03-E		
		5 m	JZSP-CLN11-05-E		
		10 m	JZSP-CLN11-10-E		
		15 m	JZSP-CLN11-15-E		
	20 m	JZSP-CLN11-20-E			
	SGLGW-90	1 m	JZSP-CLN21-01-E	SERVOPACK End      Linear Servomotor End 	(2)
		3 m	JZSP-CLN21-03-E		
		5 m	JZSP-CLN21-05-E		
		10 m	JZSP-CLN21-10-E		
		15 m	JZSP-CLN21-15-E		
	20 m	JZSP-CLN21-20-E			
	SGLGW -30□□□□□□D -40□□□□□□D -60□□□□□□D	1 m	JZSP-CLN14-01-E	SERVOPACK End      Linear Servomotor End 	(3)
		3 m	JZSP-CLN14-03-E		
		5 m	JZSP-CLN14-05-E		
10 m		JZSP-CLN14-10-E			
15 m		JZSP-CLN14-15-E			
20 m	JZSP-CLN14-20-E				

\*1: Connector by Tyco Electronics AMP K.K.

\*2: Connector by Interconnectron GmbH

(Cont'd)

NOTE: Shaded items are non-stock.

Linear Servomotors

# Selecting Cables

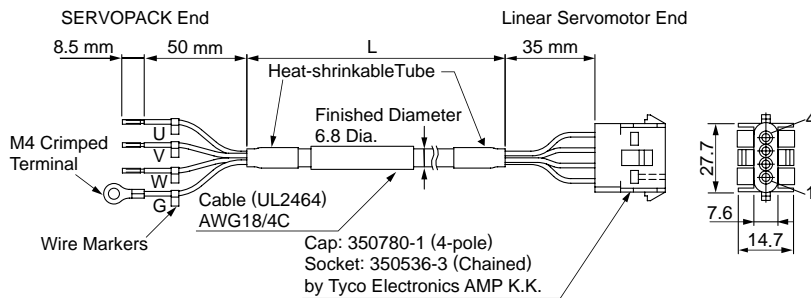
## ● Cables

Name	Applicable Linear Servomotor Model	Length	Order No.	Specifications	Details
② Cables for Connecting Linear Scales*	All models	1 m	JZSP-CLL00-01-E		(4)
		3 m	JZSP-CLL00-03-E		
		5 m	JZSP-CLL00-05-E		
		10 m	JZSP-CLL00-10-E		
		15 m	JZSP-CLL00-15-E		
③ Cables for Connecting Serial Converter Units	All models	1 m	JZSP-CLP70-01-E		(5)
		3 m	JZSP-CLP70-03-E		
		5 m	JZSP-CLP70-05-E		
		10 m	JZSP-CLP70-10-E		
		15 m	JZSP-CLP70-15-E		
		20 m	JZSP-CLP70-20-E		
④ Cables for Connecting Hall Sensors	All models	1 m	JZSP-CLL10-01-E		(6)
		3 m	JZSP-CLL10-03-E		
		5 m	JZSP-CLL10-05-E		
		10 m	JZSP-CLL10-10-E		
		15 m	JZSP-CLL10-15-E		

\* When using the serial converter unit, JZDP-G00□-□□□-E, the maximum cable length is 3 m.

### (1) Linear Servomotor Main Circuit Cables: JZSP-CLN11-□□-E

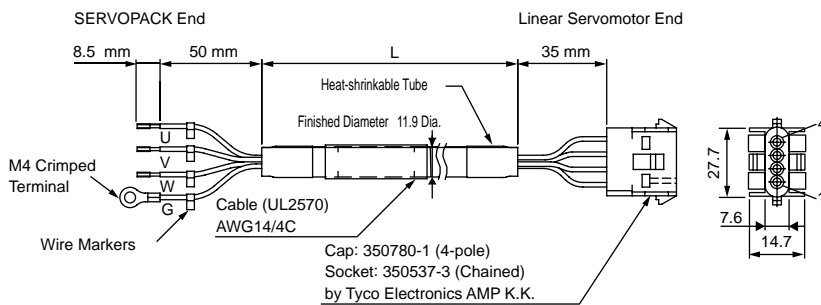
### · Wiring Specifications



SERVOPACK-end Leads		Linear Servomotor-end Connector	
Wire Color	Signal	Signal	Pin. No.
Red	Phase U	Phase U	1
White	Phase V	Phase V	2
Blue	Phase W	Phase W	3
Green/yellow	FG	FG	4

### (2) Linear Servomotor Main Circuit Cables: JZSP-CLN21-□□-E

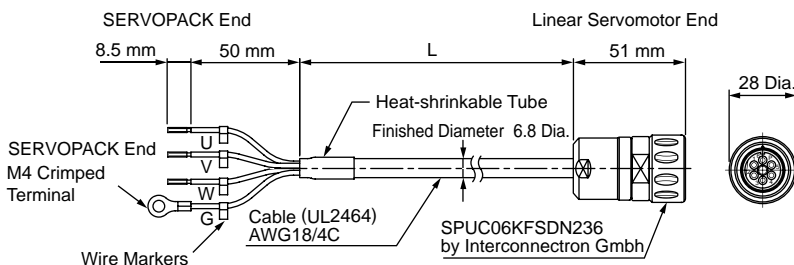
### · Wiring Specifications



SERVOPACK-end Leads		Linear Servomotor-end Connector	
Wire Color	Signal	Signal	Pin. No.
Red	Phase U	Phase U	1
White	Phase V	Phase V	2
Blue	Phase W	Phase W	3
Green/yellow	FG	FG	4

### (3) Linear Servomotor Main Circuit Cables: JZSP-CLN14-□□-E

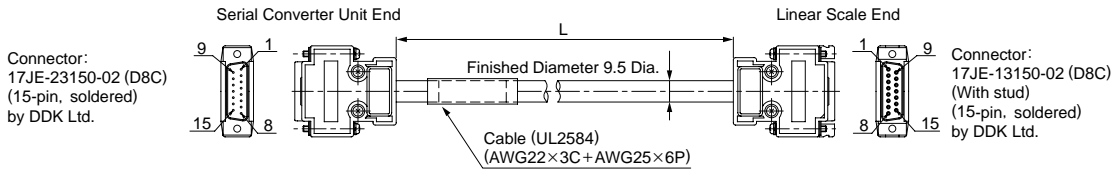
### · Wiring Specifications



SERVOPACK-end Leads		Linear Servomotor-end Connector	
Wire Color	Signal	Signal	Pin No.
Black (White 1)	Phase U	Phase U	1
Black (White 2)	Phase V	Phase V	2
Black (White 3)	Phase W	Phase W	3
Green/yellow	FG	—	4
		—	5
		FG	6

Selecting Cables

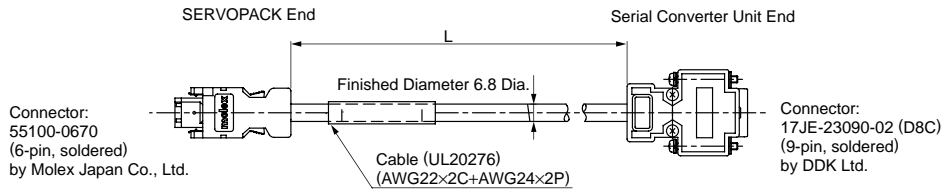
(4) Cables for Connecting Linear Scales: JZSP-CLL00-□□-E



· Wiring Specifications

Serial Converter Unit End		Linear Scale End	
Pin No.	Signal	Pin No.	Signal
1	/Cos (V1-)	1	/Cos (V1-)
2	/Sin (V2-)	2	/Sin (V2-)
3	Ref (V0+)	3	Ref (V0+)
4	+5V	4	+5V
5	5Vs	5	5Vs
6	BID	6	BID
7	Vx	7	Vx
8	Vq	8	Vq
9	Cos (V1+)	9	Cos (V1+)
10	Sin (V2+)	10	Sin (V2+)
11	/Ref (V0-)	11	/Ref (V0-)
12	0V	12	0V
13	0Vs	13	0Vs
14	DIR	14	DIR
15	Inner	15	Inner
Case	Shield	Case	Shield

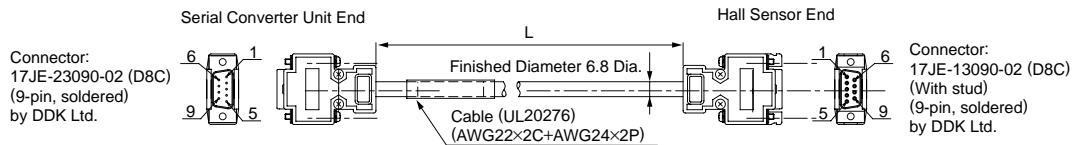
(5) Cables for Connecting Serial Converter Units: JZSP-CLP70-□□-E



· Wiring Specifications

SERVOPACK End			Serial Converter Unit End		
Pin No.	Signal	Wire Color	Pin No.	Signal	Wire Color
1	PG5V	Red	1	+5V	Red
2	PG0V	Black	5	0V	Black
3	-	-	3	-	-
4	-	-	4	-	-
5	PS	Light blue	2	Phase S output	Light blue
6	/PS	Light blue/white	6	Phase /S output	Light blue/white
Shell	Shield	-	Case	Shield	-
			7	-	-
			8	-	-
			9	-	-

(6) Cables for Connecting Hall Sensors: JZSP-CLL10-□□-E



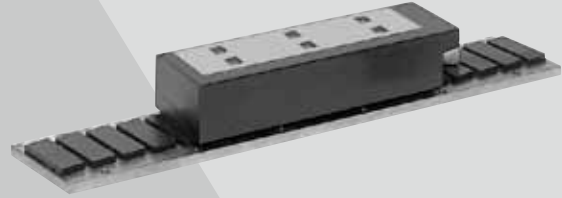
· Wiring Specifications

Serial Converter Unit End		Hall Sensor End	
Pin No.	Signal	Pin No.	Signal
1	+5V	1	+5V
2	Phase U input	2	Phase U input
3	Phase V input	3	Phase V input
4	Phase W input	4	Phase W input
5	0V	5	0V
6	-	6	-
7	-	7	-
8	-	8	-
9	-	9	-
Case	Shield	Case	Shield

# Linear Servomotors

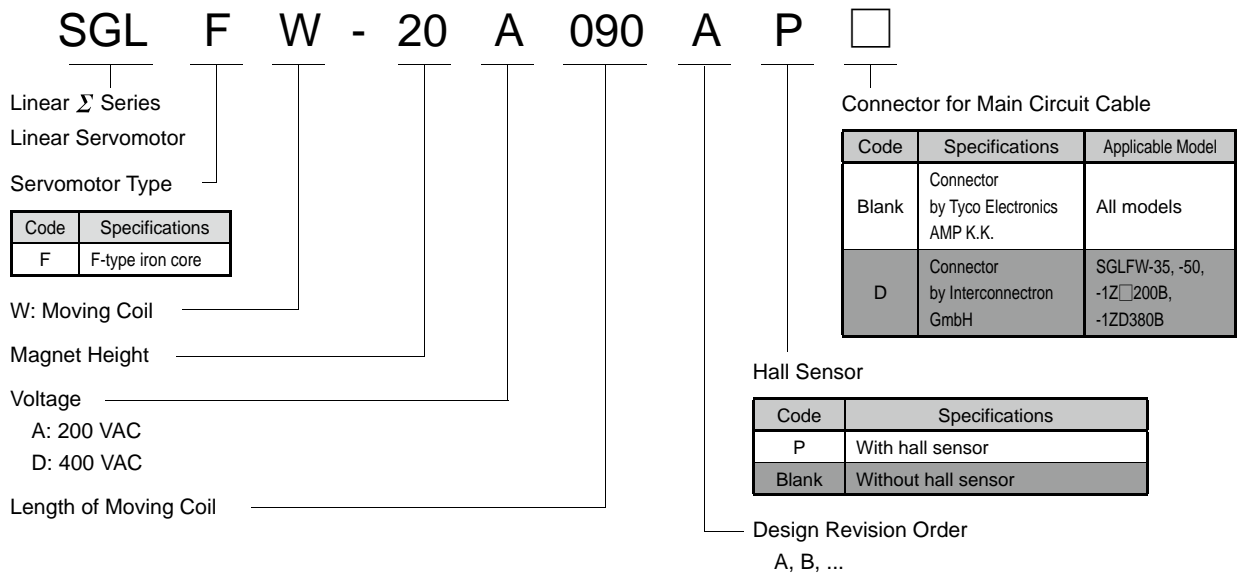
# SGLFW

(With F-type iron core)

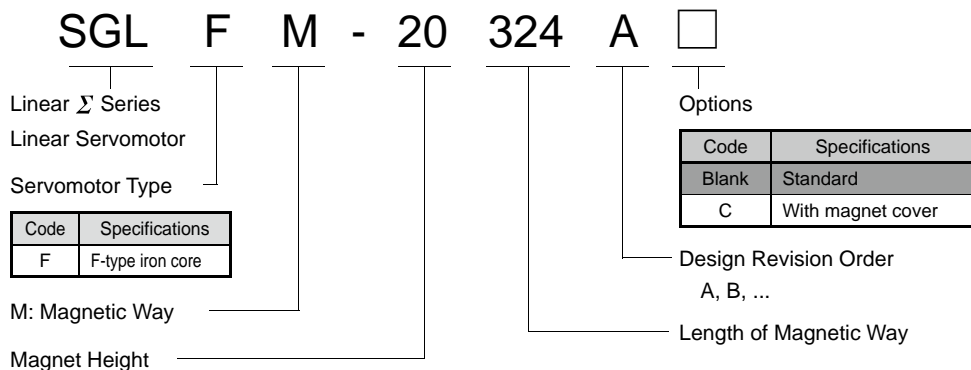


## Model Designations

### ● Moving Coil



### ◦Magnetic Way



NOTE: Shaded items are non-stock.

- Direct-feed mechanism for high-speed and high-precision positioning.
- The magnetic attraction force between the moving and stationary members can be used effectively to increase the rigidity of the linear guidance by preloading the linear motion bearings.
- The magnetic preloading on certain types of compliant linear motion bearings can help increase the system's frequency response, improving its deceleration and settling performances.

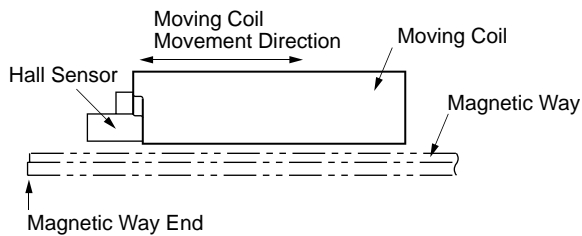
- Feeders and loaders
- Semiconductor equipment
- LCD manufacturing equipment

● Precautions on Moving Coil with Hall Sensor

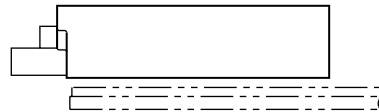
When using a moving coil with a hall sensor, the magnetic way must completely cover the bottom of the hall sensor. Refer to the example showing the correct installation.

When determining the length of the moving coil's stroke or the length of the magnetic way, consider the total length of the moving coil and the hall sensor unit. Refer to the following table.

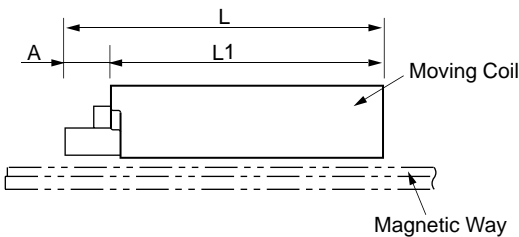
<Correct>



<Incorrect>



The total length of moving coil with hall sensor



Moving Coil Model SGLFW-	Length of Moving Coil L1 (mm)	Length of Hall Sensor Unit A (mm)	Total Length L (mm)
20A090AP□	91	22	113
20A120AP□	127		149
35□120AP□	127	22	149
35□230AP□	235		257
50□200□P□	215	22	237
50□380□P□	395		417
12□200□P□	215	22	237
12□380□P□	395		417

## Ratings and Specifications

Time Rating: Continuous

Insulation Resistance: 500 VDC, 10 MΩ min.

Ambient Temperature: 0 to 40°C

Excitation: Permanent magnet

Withstand Voltage: 1500 VAC for one minute

Enclosure: Self-cooled

Ambient Humidity: 20% to 80% (no condensation)

Allowable Winding Temperature: 130°C (Thermal class B)

### 200-V Class

Linear Servomotor Model SGLFW- <input type="text"/>		20A		35A		50A		1ZA	
		090A	120A	120A	230A	200B	380B	200B	380B
Peak Speed	m/s	5.0	5.0	5.0	5.0	5.0	5.0	4.9	4.9
Rated Force*	N	25	40	80	160	280	560	560	1120
Rated Current*	$A_{rms}$	0.70	0.80	1.4	2.8	5.0	10.0	8.7	17.5
Peak Force*	N	86	125	220	440	600	1200	1200	2400
Peak Current*	$A_{rms}$	3.0	2.9	4.4	8.8	12.4	25.0	21.6	43.6
Moving Coil Mass	kg	0.7	0.9	1.3	2.3	3.5	6.9	6.4	11.5
Force Constant	$N/A_{rms}$	36.0	54.0	62.4	62.4	60.2	60.2	69.0	69.0
BEMF Constant	$V/(m/s)$	12.0	18.0	20.8	20.8	20.1	20.1	23.0	23.0
Motor Constant	$N/\sqrt{W}$	7.9	9.8	14.4	20.4	34.3	48.5	52.4	74.0
Electrical Time Constant	ms	3.2	3.3	3.6	3.6	15.9	15.8	18.3	18.3
Mechanical Time Constant	ms	11.0	9.3	6.2	5.5	3.0	2.9	2.3	2.1
Thermal Resistance (With Heat Sink)	K/W	4.35	3.19	1.57	0.96	0.56	0.38	0.47	0.2
Thermal Resistance (Without Heat Sink)	K/W	7.69	5.02	4.10	1.94	1.65	0.95	1.3	0.73
Magnetic Attraction	N	314	462	809	1590	1650	3260	3300	6520
Applicable SERVOPACK	SGDV-	1R6	1R6	1R6	3R8	5R5	120A	120A	200A

Notes: 1 The items marked with an \* and Force and Speed Characteristics (the table on the next page) are the values at a motor winding temperature of 100°C during operation in combination with a SERVOPACK. The others are at 20°C.

2 The above specifications show the values under the cooling condition when a heat sink (aluminum board) listed in the following table is mounted on the moving coil.

Heat Sink Size	
125 mm × 125 mm × 13 mm	SGLFW-20A090A, -20A120A
254 mm × 254 mm × 25 mm	SGLFW-35A120A, -35A230A
400 mm × 500 mm × 40 mm	SGLFW-50A200B, -50A380B, -1ZA200B
600 mm × 762 mm × 50 mm	SGLFW-1ZA380B

### 400-V Class

Linear Servomotor Model SGLFW- <input type="text"/>		35D		50D		1ZD	
		120A	230A	200B	380B	200B	380B
Peak Speed	m/s	4.5	4.5	5.0	5.0	5.0	5.0
Rated Force*	N	80	160	280	560	560	1120
Rated Current*	$A_{rms}$	0.6	1.3	2.3	4.5	4.9	9.8
Peak Force*	N	220	440	600	1200	1200	2400
Peak Current*	$A_{rms}$	2.0	4.0	5.6	11.0	12.3	24.6
Moving Coil Mass	kg	1.3	2.3	3.5	6.9	6.4	11.5
Force Constant	$N/A_{rms}$	136.0	136.0	134.7	134.7	122.6	122.6
BEMF Constant	$V/(m/s)$	45.3	45.3	44.9	44.9	40.9	40.9
Motor Constant	$N/\sqrt{W}$	14.2	20.1	33.4	47.2	51.0	72.1
Electrical Time Constant	ms	3.7	3.6	15.0	15.0	17.4	17.2
Mechanical Time Constant	ms	5.2	5.1	3.2	3.2	2.5	2.2
Thermal Resistance (With Heat Sink)	K/W	1.57	0.96	0.56	0.38	0.47	0.2
Thermal Resistance (Without Heat Sink)	K/W	4.1	1.94	1.65	0.95	1.3	0.73
Magnetic Attraction	N	810	1590	1650	3260	3300	6520
Applicable SERVOPACK	SGDV-	1R9D	1R9D	3R5D	5R4D	5R4D	120D

Notes: 1 The items marked with an \* and Force and Speed Characteristics (the table on the next page) are the values at a motor winding temperature of 100°C during operation in combination with a SERVOPACK. The others are at 20°C.

2 The above specifications show the values under the cooling condition when a heat sink (aluminum board) listed in the following table is mounted on the moving coil.

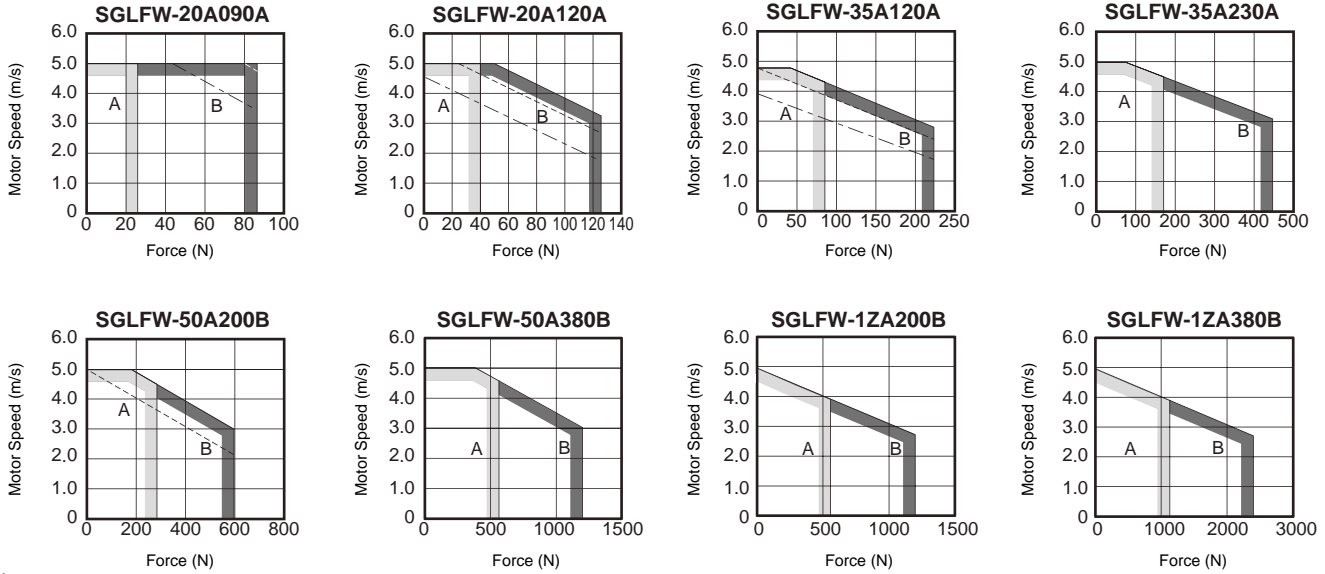
Heat Sink Size	
254 mm × 254 mm × 25 mm	SGLFW-35D120A, -35D230A
400 mm × 500 mm × 40 mm	SGLFW-50D200B, -50D380B, -1ZD200B
600 mm × 762 mm × 50 mm	SGLFW-1ZD380B



**Ratings and Specifications**

● **Force and Speed Characteristics** **A** : Continuous Duty Zone **B** : Intermittent Duty Zone (Note<sup>1</sup>)

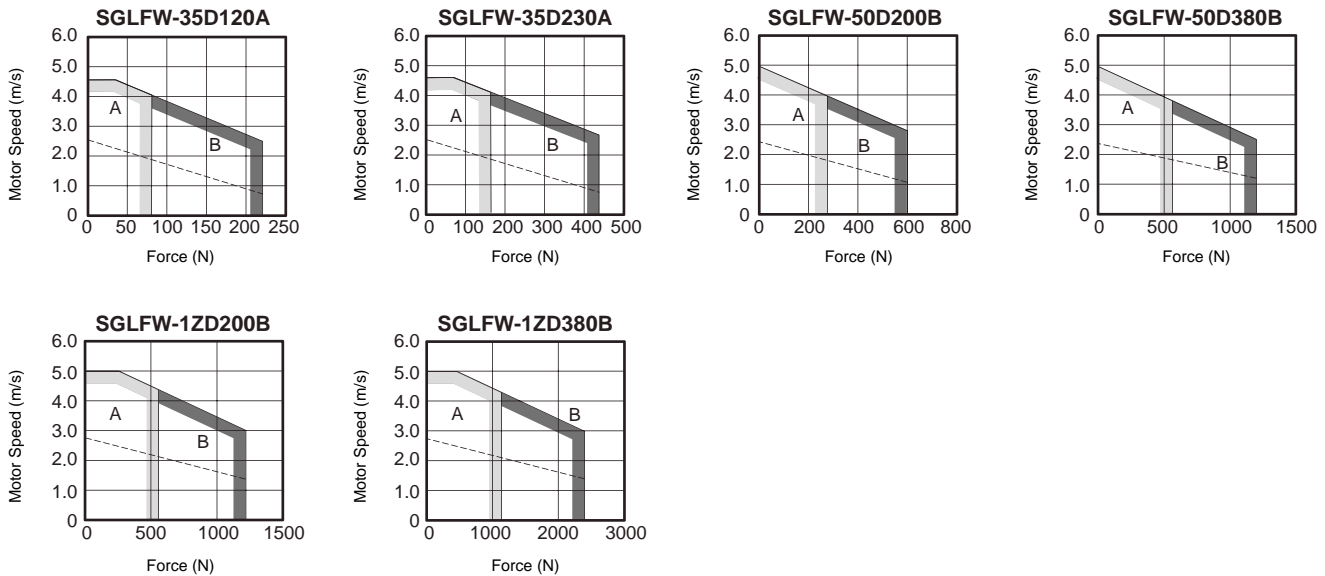
200-V Class



Notes:

- When the effective force during intermittent duty is within the rated force, the servomotor can be used within the intermittent duty zone.
- The solid, dotted, and dashed-dotted lines of the intermittent duty zone indicate the characteristics when a servomotor runs with the following combinations:
  - The solid line: With a three-phase 200 V or a single-phase 230 V SERVOPACK
  - The dotted line: With a single-phase 200 V SERVOPACK
  - The dashed-dotted line: With a single-phase 100 V SERVOPACK

400-V Class



Notes:

- When the effective force during intermittent duty is within the rated force, the servomotor can be used within the intermittent duty zone.
- The dotted line indicates the characteristics when a 400-VAC linear servomotor is used with 200-V input power supply. In this case, a serial converter unit is required. Contact your Yaskawa representative for details.

● **Mechanical Specifications**

(1) Impact Resistance

- Impact acceleration: 196 m/s<sup>2</sup>
- Impact occurrences: twice

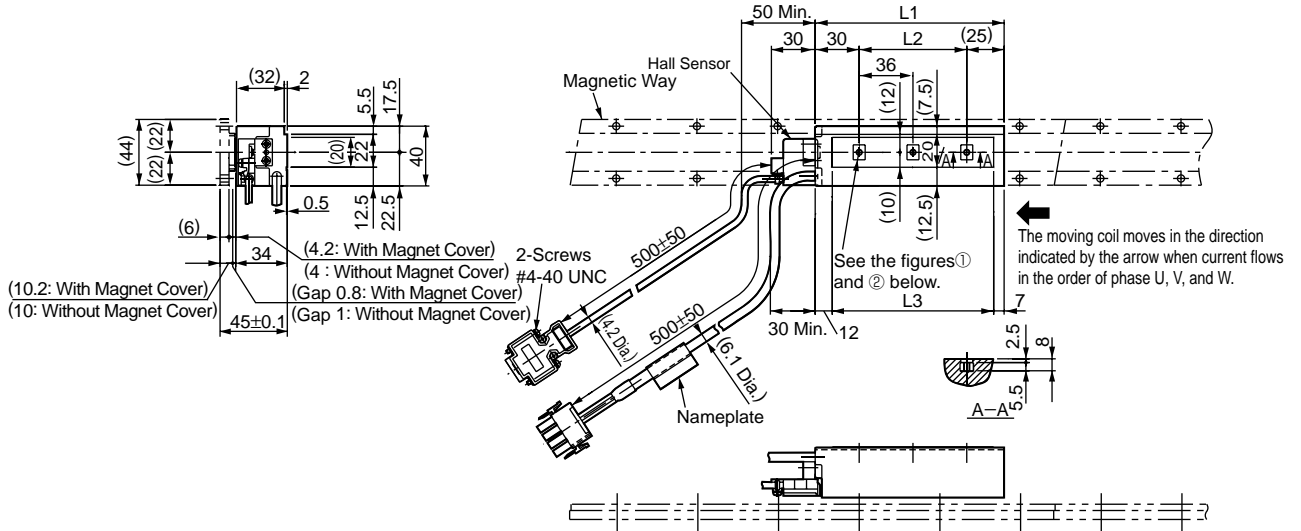
(2) Vibration Resistance

- The linear servomotors will withstand the following vibration acceleration in three directions: Vertical, side to side, and front to back.
- Vibration acceleration: 49 m/s<sup>2</sup>

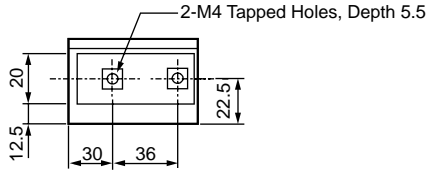
# External Dimensions Units: mm

## (1) SGLFW-20

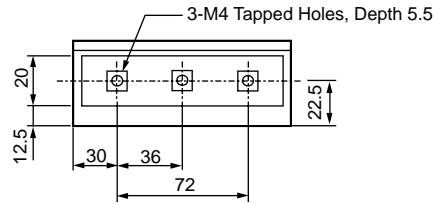
- Moving Coil: SGLFW-20A□□□A□ (With a connector by Tyco Electronics AMP K.K.)



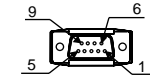
① SGLFW-20A090A□



② SGLFW-20A120A□



### Hall Sensor Connector Specifications



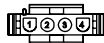
Pin Connector :  
17JE-13090-02 (D8C)  
by DDK Ltd.

### The Mating Connector

Socket Connector:  
17JE-13090-02 (D8C)  
Stud: 17L-002C or  
17L-002C1

Pin No.	Signal
1	+5V (Power supply)
2	Phase U
3	Phase V
4	Phase W
5	0V (Power supply)
6	Not used
7	Not used
8	Not used
9	Not used

### Linear Servomotor Connector Specifications



Plug: 350779-1  
Pin : 350218-3 or  
350547-3 (No.1 to 3)  
350654-1  
350669-1 (No.4)  
by Tyco Electronics AMP K.K.

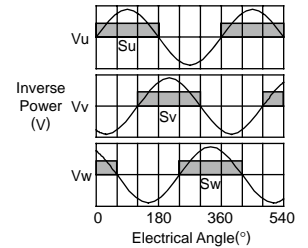
### The Mating Connector

Cap : 350780-1  
Socket: 350536-3 or  
350550-3

Note: Models compatible with connectors by Interconnection GmbH are also available.

### Hall Sensor Output Signals

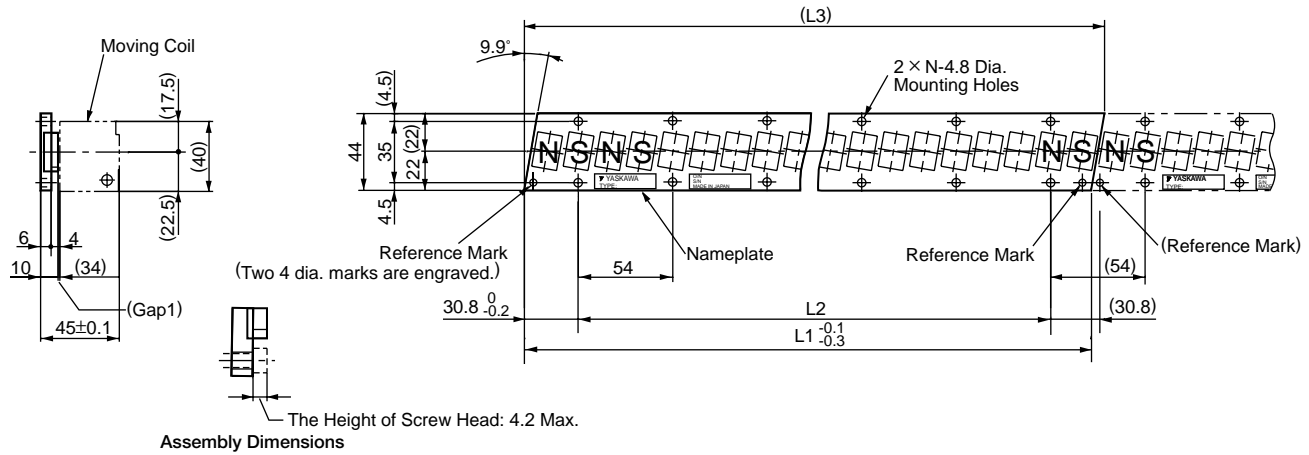
When the moving coil moves in the direction indicated by the arrow in the figure, the relationship between the hall sensor output signals  $S_u$ ,  $S_v$ ,  $S_w$  and the inverse power of each motor phase  $V_u$ ,  $V_v$ ,  $V_w$  becomes as shown in the figure below.



Moving Coil Model SGLFW-	L1	L2	L3	Approx. Mass kg
20A090A□	91	36	72	0.7
20A120A□	127	72	108	0.9

**External Dimensions** Units: mm

- Magnetic Way: SGLFM-20□□□A



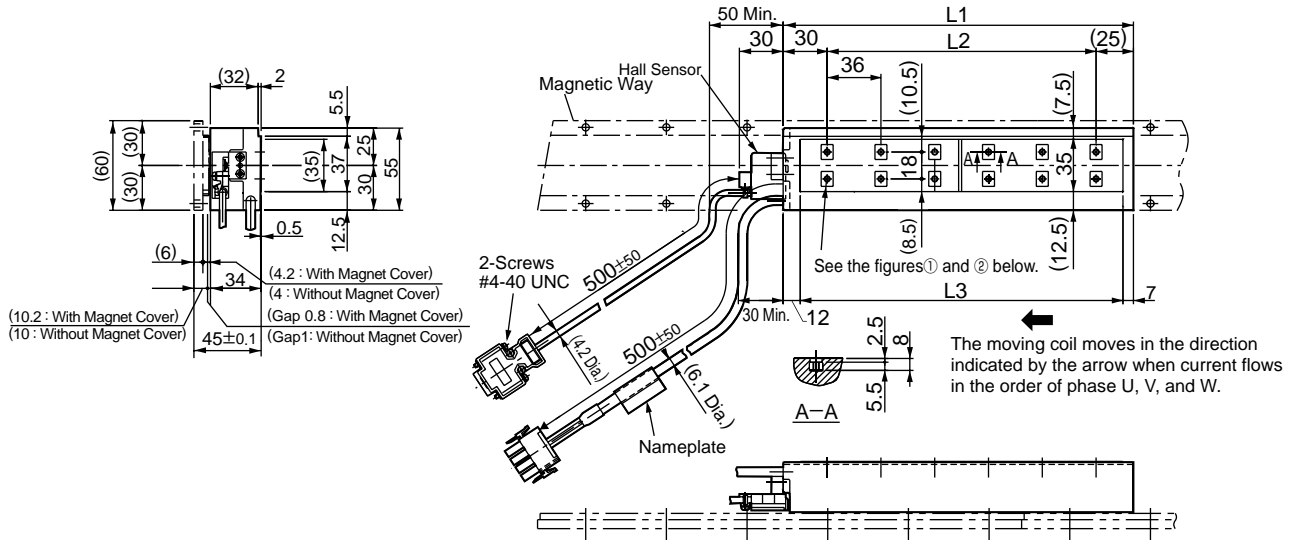
- Notes: 1 Multiple SGLFM-20□□□A magnetic ways can be connected. Connect magnetic ways so that the reference marks match one on the other in the same direction as shown in the figure.  
 2 If you have a pacemaker or any other electronic medical device, do not go near the magnetic way of the linear servomotor.

Magnetic Way Model SGLFM-	L1 <sup>-0.1</sup> <sub>-0.3</sub>	L2	(L3)	N	Approx. Mass kg
20324A	324	270 (54 × 5)	(331.6)	6	0.9
20540A	540	486 (54 × 9)	(547.6)	10	1.4
20756A	756	702 (54 × 13)	(763.6)	14	2

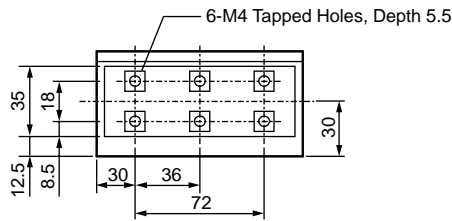
# External Dimensions Units: mm

## (2) SGLFW-35

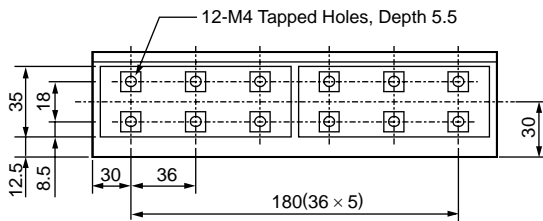
- Moving Coil: SGLFW-35□□□□A□ (With a connector by Tyco Electronics AMP K.K.)



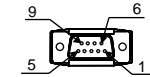
① SGLFW-35□120A□



② SGLFW-35□230A□



### Hall Sensor Connector Specifications



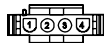
Pin Connector  
17JE-23090-02 (D8C)  
by DDK Ltd.

### The Mating Connector

Socket Connector:  
17JE-13090-02(D8C)  
Stud:17L-002C or  
17L-002C1

Pin No.	Signal
1	+5V (Power supply)
2	Phase U
3	Phase V
4	Phase W
5	0V (Power supply)
6	Not used
7	Not used
8	Not used
9	Not used

### Linear Servomotor Connector Specifications



Plug: 350779-1  
Pin : 350218-3 or  
350547-3 (No.1 to 3)  
350654-1  
350669-1 (No.4)  
by Tyco Electronics AMP K.K.

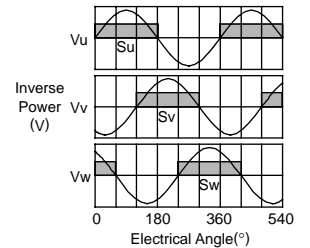
### The Mating Connector

Cap : 350780-1  
Socket: 350536-3 or  
350550-3

Pin No.	Signal	Wire Color
1	Phase U	Red
2	Phase V	White
3	Phase W	Black
4	FG	Green

### Hall Sensor Output Signals

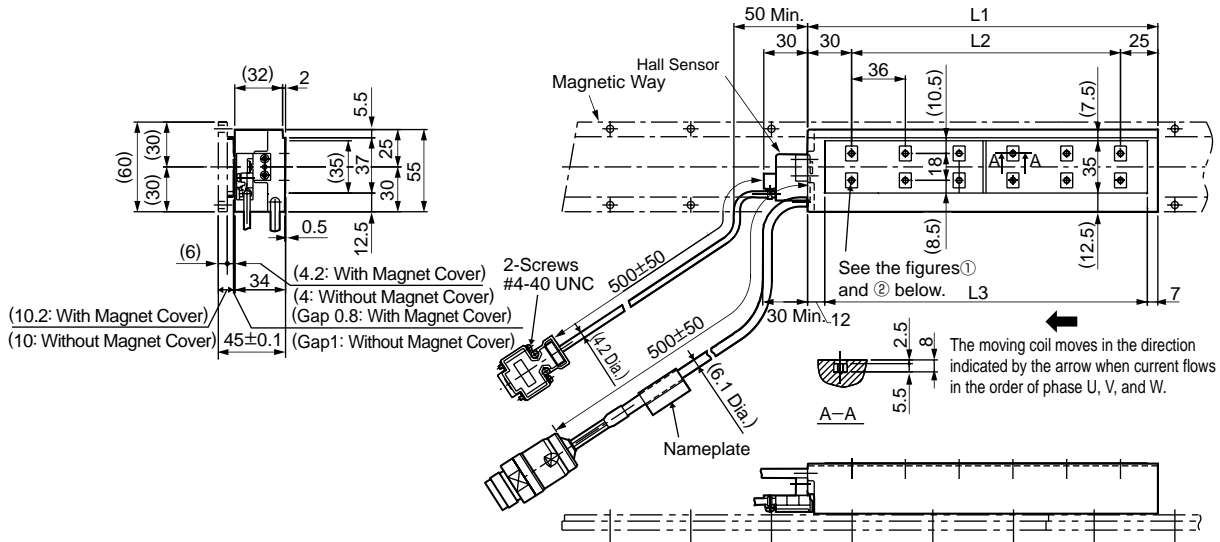
When the moving coil moves in the direction indicated by the arrow in the figure, the relationship between the hall sensor output signals  $S_u$ ,  $S_v$ ,  $S_w$  and the inverse power of each motor phase  $V_u$ ,  $V_v$ ,  $V_w$  becomes as shown in the figure below.



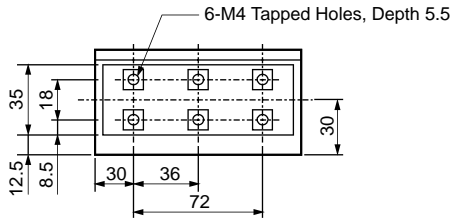
Moving Coil Model SGLFW-	L1	L2	L3	Approx. Mass kg
35□120A□	127	72	108	1.3
35□230A□	235	180	216	2.3

**External Dimensions** Units: mm

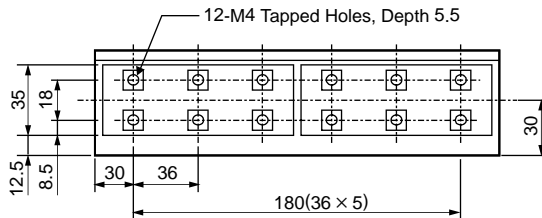
- Moving Coil: SGLFW-35□□□□A□D (With a connector by Interconnectron GmbH)



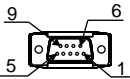
① SGLFW-35□120A□D



② SGLFW-35□230A□D



Hall Sensor Connector Specifications



Pin Connector :  
17JE-23090-02 (D8C)  
by DDK Ltd.

The Mating Connector

Socket Connector:  
17JE-13090-02 (D8C)  
Stud: 17L-002C or  
17L-002C1

Pin No.	Signal
1	+5V (Power supply)
2	Phase U
3	Phase V
4	Phase W
5	0V (Power supply)
6	Not used
7	Not used
8	Not used
9	Not used

Linear Servomotor Connector Specifications



Extension: ARRA06AMRPN182  
Pin : 021.279.1020  
by Interconnectron GmbH

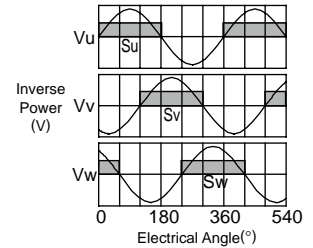
The Mating Connector

Plug : APRA06BFRDN170  
Socket: 020.105.1020

Pin No.	Name
1	Phase U
2	Phase V
4	Phase W
5	Not used
6	Not used
⊕	Ground

Hall Sensor Output Signals

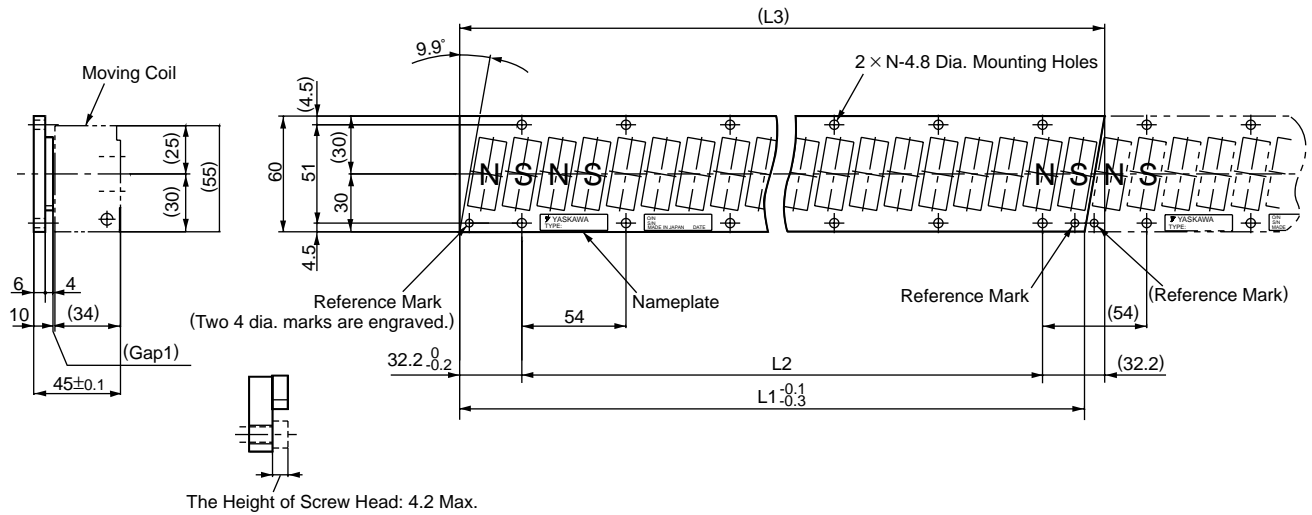
When the moving coil moves in the direction indicated by the arrow in the figure, the relationship between the hall sensor output signals  $S_u$ ,  $S_v$ ,  $S_w$  and the inverse power of each motor phase  $V_u$ ,  $V_v$ ,  $V_w$  becomes as shown in the figure below.



Moving Coil Model SGLFW-	L1	L2	L3	N	Approx. Mass kg
35□120A□D	127	72	108	6	1.3
35□230A□D	235	180	216	12	2.3

## External Dimensions Units: mm

- Magnetic Way: SGLFM-35□□□A



### Assembly Dimensions

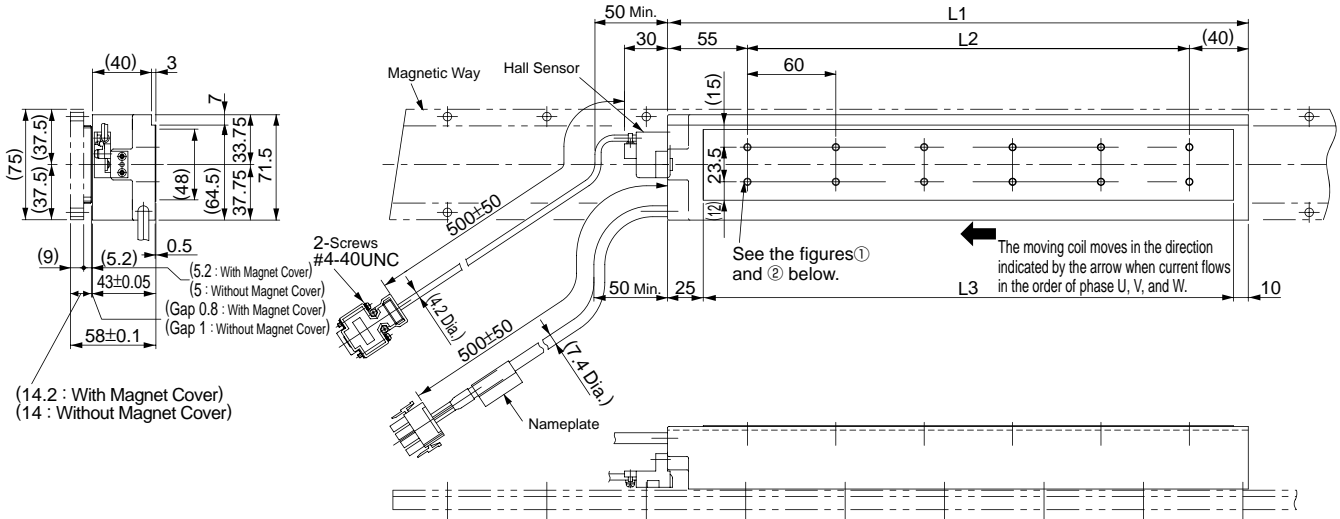
- Notes: 1 Multiple SGLFM-35□□□A magnetic ways can be connected. Connect magnetic ways so that the reference marks match one on the other in the same direction as shown in the figure.  
 2 If you have a pacemaker or any other electronic medical device, do not go near the magnetic way of the linear servomotor.

Magnetic Way Model SGLFM-	$L1_{-0.3}^{+0.1}$	L2	(L3)	N	Approx. Mass kg
35324A	324	270 (54×5)	(334.4)	6	1.2
35540A	540	486 (54×9)	(550.4)	10	2
35756A	756	702 (54×13)	(766.4)	14	2.9

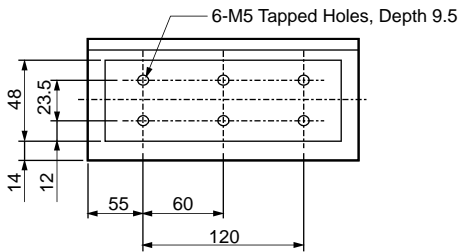
**External Dimensions** Units: mm

(3) SGLFW-50

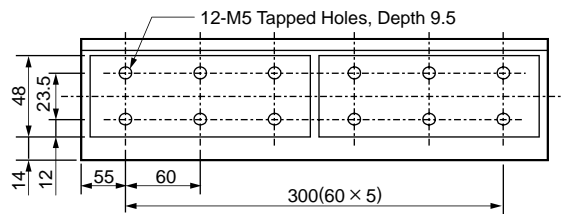
- Moving Coil: SGLFW-50□□□□B□ (With a connector by Tyco Electronics AMP K.K.)



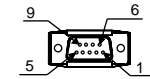
① SGLFW-50□200B□



② SGLFW-50□380B□



Hall Sensor Connector Specifications



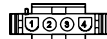
Pin Connector :  
17JE-23090-02 (D8C)  
by DDK Ltd.

The Mating Connector

Socket Connector:  
17JE-13090-02 (D8C)  
Stud: 17L-002C or  
17L-002C1

Pin No.	Signal
1	+5V (Power supply)
2	Phase U
3	Phase V
4	Phase W
5	0V (Power supply)
6	Not used
7	Not used
8	Not used
9	Not used

Linear Servomotor Connector Specifications



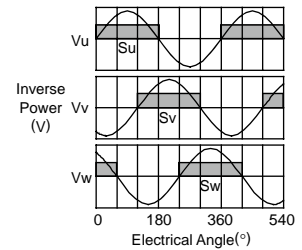
Plug: 350779-1  
Pin :350218-3 or  
350547-3(No.1 to 3)  
350654-1  
350669-1(No.4)  
by Tyco Electronics AMP K.K.

The Mating Connector

Cap : 350780-1  
Socket: 350536-3 or  
350550-3

Hall Sensor Output Signals

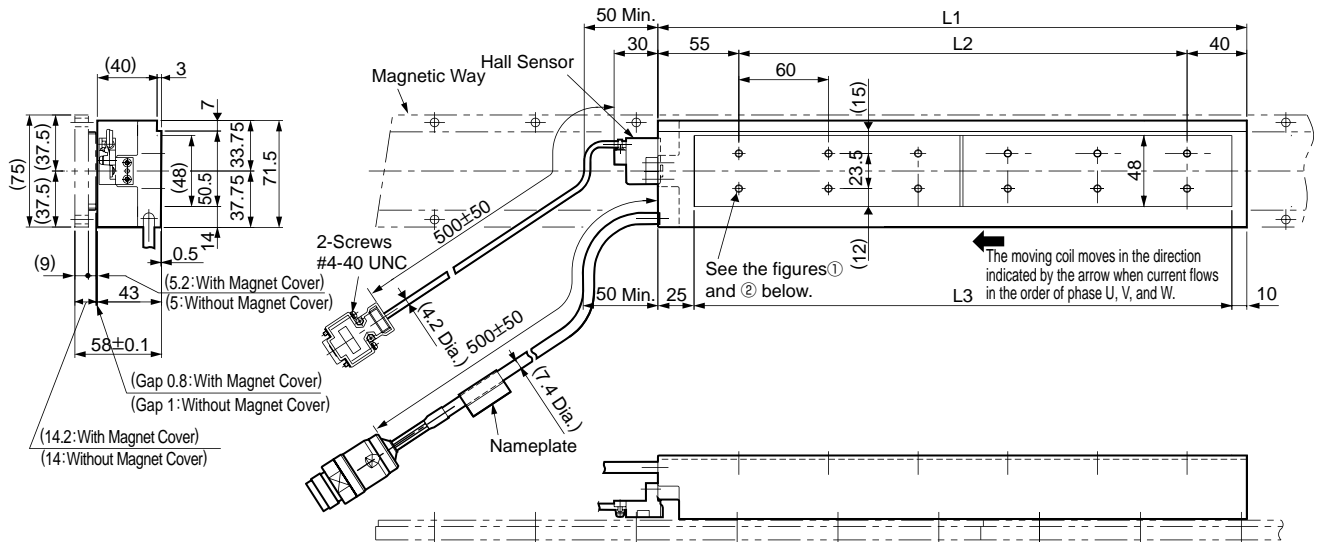
When the moving coil moves in the direction indicated by the arrow in the figure, the relationship between the hall sensor output signals  $S_u$ ,  $S_v$ ,  $S_w$  and the inverse power of each motor phase  $V_u$ ,  $V_v$ ,  $V_w$  becomes as shown in the figure below.



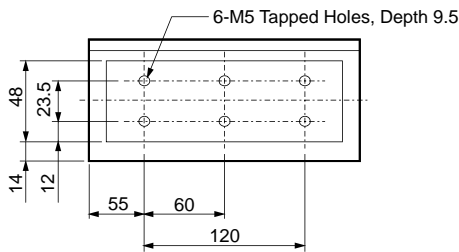
Moving Coil Model SGLFW-	L1	L2	L3	Approx. Mass kg
50□200B□	215	120	180	3.5
50□380B□	395	300	360	6.9

# External Dimensions Units: mm

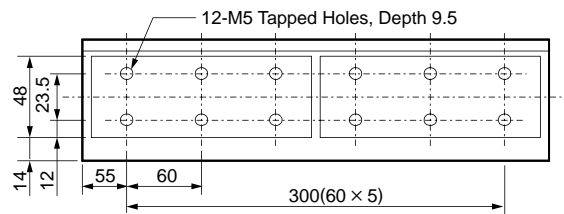
- Moving Coil: SGLFW-50□□□□B□D (With a connector by Interconnectron GmbH)



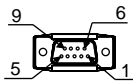
① SGLFW-50□200B□D



② SGLFW-50□380B□D



## Hall Sensor Connector Specifications



Pin Connector :  
17JE-23090-02 (D8C)  
by DDK Ltd.

### The Mating Connector

Socket Connector:  
17JE-13090-02 (D8C)  
Stud: 17L-002C or  
17L-002C1

Pin No.	Signal
1	+5V (Power supply)
2	Phase U
3	Phase V
4	Phase W
5	0V (Power supply)
6	Not used
7	Not used
8	Not used
9	Not used

## Linear Servomotor Connector Specifications



Extension: ARRA06AMRPN182  
Pin : 021.279.1020  
by Interconnectron GmbH

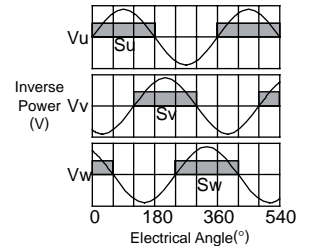
### The Mating Connector

Plug : APRA06BFRDN170  
Socket: 020.105.1020

Pin No.	Name
1	Phase U
2	Phase V
4	Phase W
5	Not used
6	Not used
⊕	Ground

## Hall Sensor Output Signals

When the moving coil moves in the direction indicated by the arrow in the figure, the relationship between the hall sensor output signals  $S_u$ ,  $S_v$ ,  $S_w$  and the inverse power of each motor phase  $V_u$ ,  $V_v$ ,  $V_w$  becomes as shown in the figure below.

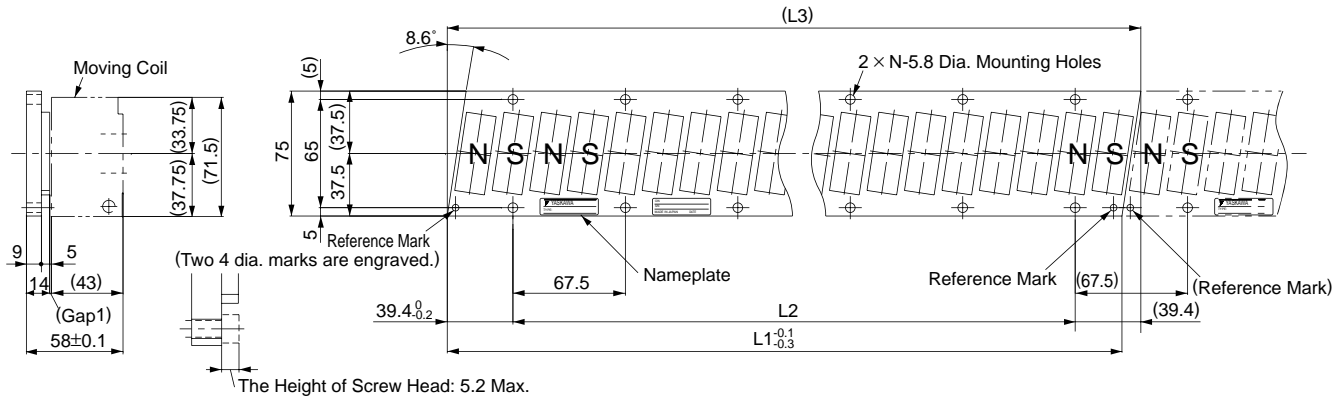


Moving Coil Model SGLFW-	L1	L2	L3	N	Approx. Mass kg
50□200B□D	215	120	180	6	3.5
50□380B□D	395	300	360	12	6.9



**External Dimensions** Units: mm

- Magnetic Way: SGLFM-50□□□A



**Assembly Dimensions**

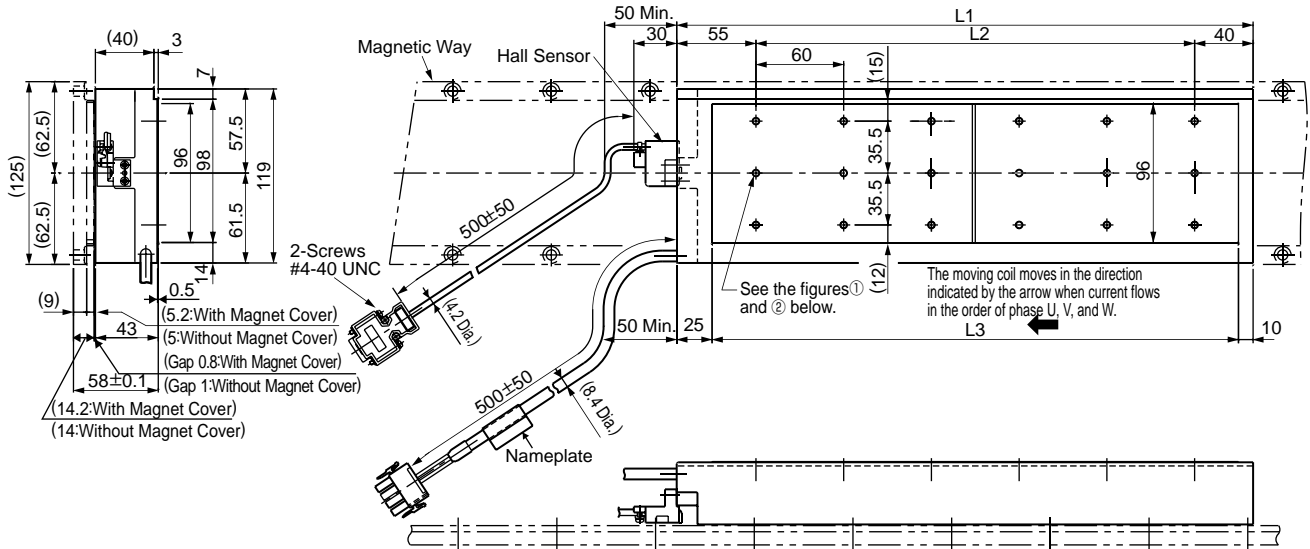
- Notes: 1 Multiple SGLFM-50□□□A magnetic ways can be connected. Connect magnetic ways so that the reference marks match one on the other in the same direction as shown in the figure.  
 2 If you have a pacemaker or any other electronic medical device, do not go near the magnetic way of the linear servomotor.

Magnetic Way Model SGLFM-	L1 <sub>-0.1</sub> <sup>-0.3</sup>	L2	(L3)	N	Approx. Mass kg
50405A	405	337.5 (67.5 × 5)	(416.3)	6	2.8
50675A	675	607.5 (67.5 × 9)	(686.3)	10	4.6
50945A	945	877.5 (67.5 × 13)	(956.3)	14	6.5

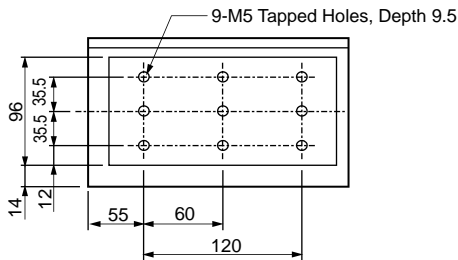
# External Dimensions Units: mm

## (4) SGLFW-1Z

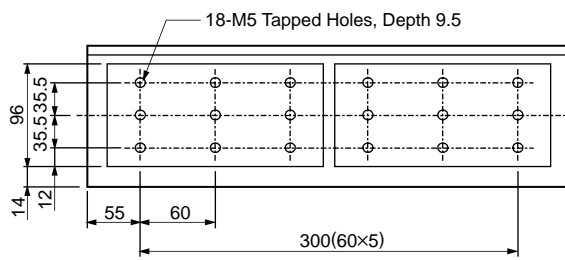
- Moving Coil: SGLFW-1Z□□□□B□ (With a connector by Tyco Electronics AMP K.K.)



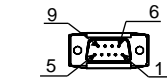
① SGLFW-1Z□200B□



② SGLFW-1Z□380B□



### Hall Sensor Connector Specifications



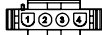
Pin Connector :  
17JE-23090-02 (D8C)  
by DDK Ltd.

### The Mating Connector

Socket Connector:  
17JE-13090-02 (D8C)  
Stud: 17L-002C or  
17L-002C1

Pin No.	Signal
1	+5V (Power supply)
2	Phase U
3	Phase V
4	Phase W
5	0V (Power supply)
6	Not used
7	Not used
8	Not used
9	Not used

### Linear Servomotor Connector Specifications



Plug: 350779-1  
Pin : 350218-3 or  
350547-3 (No.1 to 3)  
350654-1  
350669-1 (No.4)  
by Tyco Electronics AMP K.K.

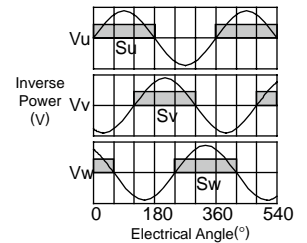
### The Mating Connector

Cap : 350780-1  
Socket: 350536-3 or  
350550-3

Pin No.	Signal	Wire Color
1	Phase U	Red
2	Phase V	White
3	Phase W	Black
4	FG	Green

### Hall Sensor Output Signals

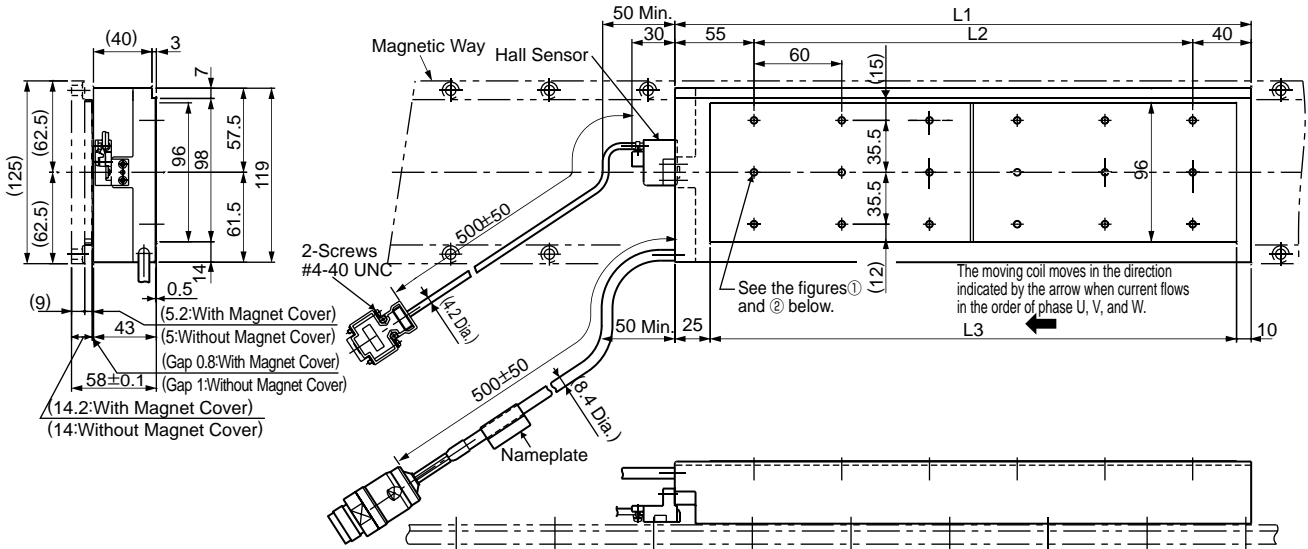
When the moving coil moves in the direction indicated by the arrow in the figure, the relationship between the hall sensor output signals  $S_u$ ,  $S_v$ ,  $S_w$  and the inverse power of each motor phase  $V_u$ ,  $V_v$ ,  $V_w$  becomes as shown in the figure below.



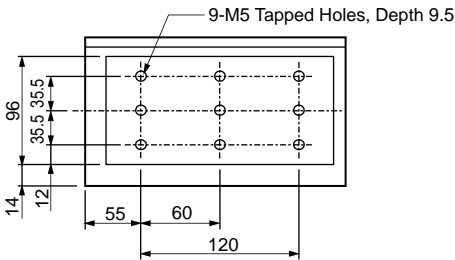
Moving Coil Model SGLFW-	L1	L2	L3	N	Approx. Mass kg
1Z□200B□	215	120	180	9	6.4
1Z□380B□	395	300	360	18	11.5

**External Dimensions** Units: mm

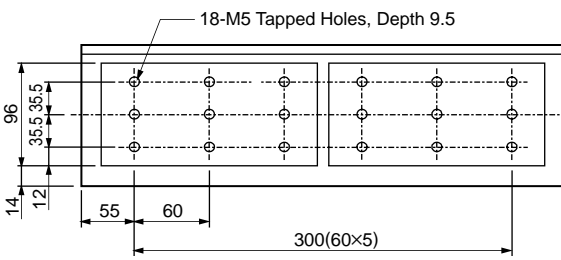
- Moving Coil: SGLFW-1Z□□□□B□D (With a connector by Interconnectron GmbH)



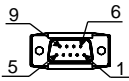
① SGLFW-1Z□200B□D



② SGLFW-1ZD380B□D



Hall Sensor Connector Specifications



Pin Connector :  
17JE-23090-02 (D8C)  
by DDK Ltd.

The Mating Connector

Socket Connector:  
17JE-13090-02 (D8C)  
Stud: 17L-002C or  
17L-002C1

Pin No.	Signal
1	+5V (Power supply)
2	Phase U
3	Phase V
4	Phase W
5	0V (Power supply)
6	Not used
7	Not used
8	Not used
9	Not used

Linear Servomotor Connector Specifications



Extension: ARRA06AMRPN182  
Pin : 021.279.1020  
by Interconnectron GmbH

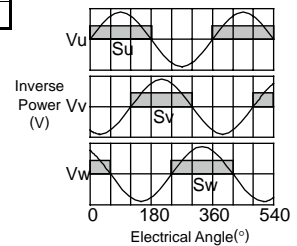
The Mating Connector

Plug : APRA06BFRDN170  
Socket: 020.105.1020

Pin No.	Name
1	Phase U
2	Phase V
4	Phase W
5	Not used
6	Not used
⊕	Ground

Hall Sensor Output Signals

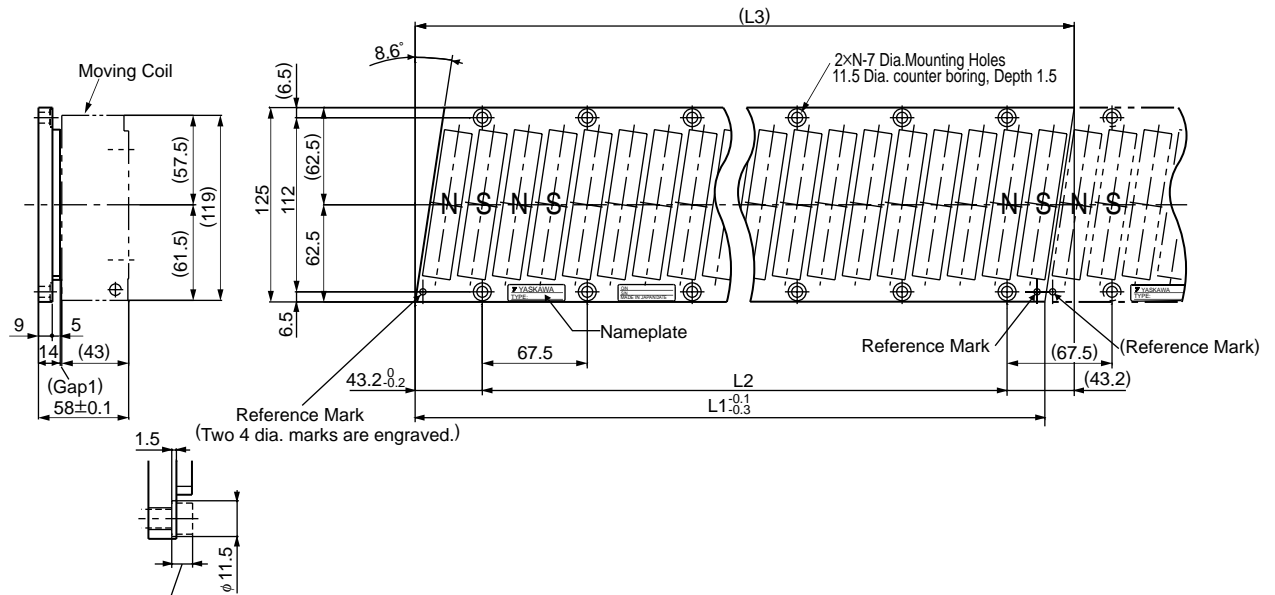
When the moving coil moves in the direction indicated by the arrow in the figure, the relationship between the hall sensor output signals  $S_u$ ,  $S_v$ ,  $S_w$  and the inverse power of each motor phase  $V_u$ ,  $V_v$ ,  $V_w$  becomes as shown in the figure below.



Moving Coil Model SGLFW-	L1	L2	L3	N	Approx. Mass kg
1Z□200B□D	215	120	180	9	6.4
1ZD380B□D	395	300	360	18	11.5

## External Dimensions Units: mm

● Magnetic Way: SGLFM-1Z□□□A



The Height of Screw Head: 6.7 Max.

### Assembly Dimensions

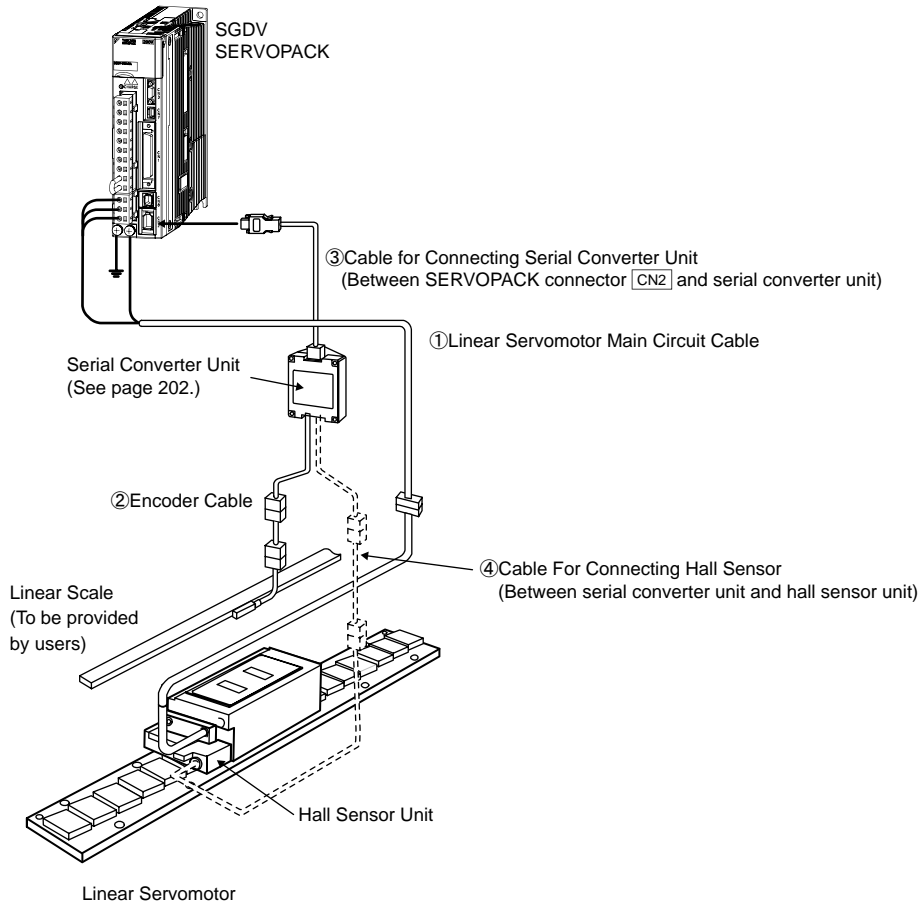
Notes: 1 Multiple SGLFM-1Z□□□A magnetic ways can be connected. Connect magnetic ways so that the reference marks match one on the other in the same direction as shown in the figure.

2 If you have a pacemaker or any other electronic medical device, do not go near the magnetic way of the linear servomotor.

Magnetic Way Model SGLFM-	L1 <sup>-0.1</sup> <sub>-0.3</sub>	L2	L3	N	Approx. Mass kg
1Z405A	405	337.5 (67.5 × 5)	(423.9)	6	5
1Z675A	675	607.5 (67.5 × 9)	(693.9)	10	8.3
1Z945A	945	877.5 (67.5 × 13)	(963.9)	14	12

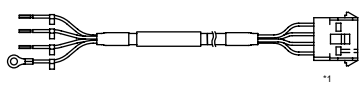
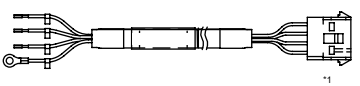
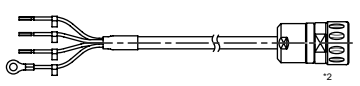
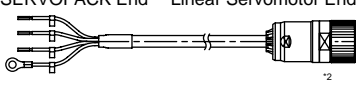
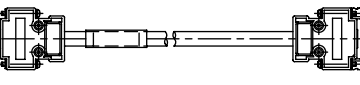
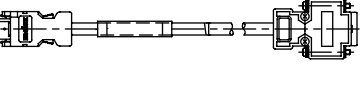
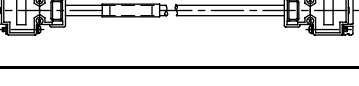
Selecting Cables

● Cables Connections



# Selecting Cables

## ● Cables

Name	Applicable Linear Servomotor Model	Length	Order No.	Specifications	Details
① Linear Servomotor Main Circuit Cables	SGLFW-20, -35	1 m	JZSP-CLN11-01-E	SERVOPACK End Linear Servomotor End 	(1)
		3 m	JZSP-CLN11-03-E		
		5 m	JZSP-CLN11-05-E		
		10 m	JZSP-CLN11-10-E		
		15 m	JZSP-CLN11-15-E		
		20 m	JZSP-CLN11-20-E		
	SGLFW-50, -1Z	1 m	JZSP-CLN21-01-E	SERVOPACK End Linear Servomotor End 	(2)
		3 m	JZSP-CLN21-03-E		
		5 m	JZSP-CLN21-05-E		
		10 m	JZSP-CLN21-10-E		
		15 m	JZSP-CLN21-15-E		
		20 m	JZSP-CLN21-20-E		
	SGLFW- □□A□□□□□D	1 m	JZSP-CLN14-01-E	SERVOPACK End Linear Servomotor End 	(3)
		3 m	JZSP-CLN14-03-E		
		5 m	JZSP-CLN14-05-E		
		10 m	JZSP-CLN14-10-E		
		15 m	JZSP-CLN14-15-E		
		20 m	JZSP-CLN14-20-E		
	SGLFW- □□D□□□□□D	1 m	JZSP-CLN15-01-E	SERVOPACK End Linear Servomotor End 	(4)
		3 m	JZSP-CLN15-03-E		
5 m		JZSP-CLN15-05-E			
10 m		JZSP-CLN15-10-E			
15 m		JZSP-CLN15-15-E			
20 m		JZSP-CLN15-20-E			
② Cables for Connecting Linear Scales <sup>3</sup>	All models	1 m	JZSP-CLL00-01-E	Serial Converter Unit End Linear Scale End 	(5)
		3 m	JZSP-CLL00-03-E		
		5 m	JZSP-CLL00-05-E		
		10 m	JZSP-CLL00-10-E		
		15 m	JZSP-CLL00-15-E		
③ Cables for Connecting Serial Converter Units	All models	1 m	JZSP-CLP70-01-E	SERVOPACK End Serial Converter Unit End 	(6)
		3 m	JZSP-CLP70-03-E		
		5 m	JZSP-CLP70-05-E		
		10 m	JZSP-CLP70-10-E		
		15 m	JZSP-CLP70-15-E		
		20 m	JZSP-CLP70-20-E		
④ Cables for Connecting Hall Sensors	All models	1 m	JZSP-CLL10-01-E	Serial Converter Unit End Hall Sensor Unit End 	(7)
		3 m	JZSP-CLL10-03-E		
		5 m	JZSP-CLL10-05-E		
		10 m	JZSP-CLL10-10-E		
		15 m	JZSP-CLL10-15-E		

\*1: Connector by Tyco Electronics AMP K.K.

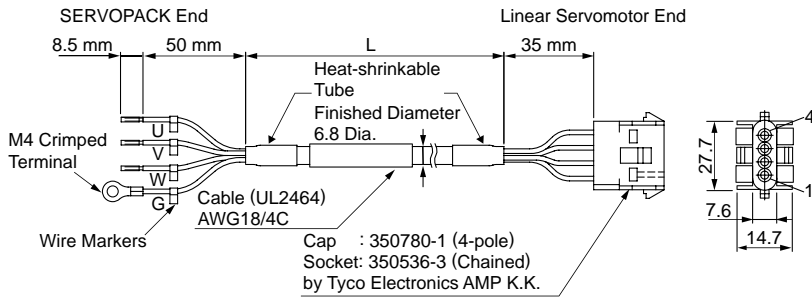
\*2: Connector by Interconnectron GmbH

\*3: When using the serial converter unit, JZDP-G00□-□□□-E, the maximum cable length is 3 m.

NOTE: Shaded items are non-stock.

Selecting Cables

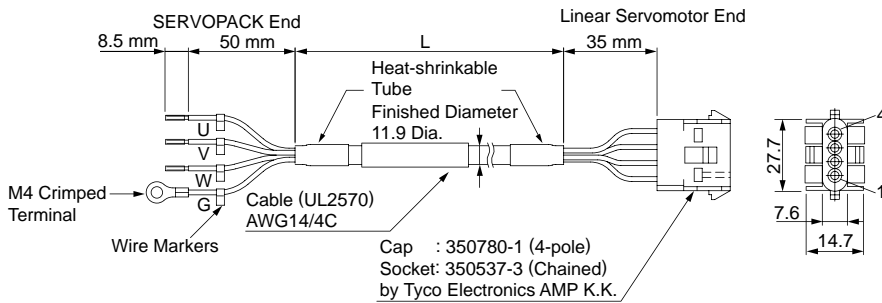
(1) Linear Servomotor Main Circuit Cables: JZSP-CLN11-□□-E



· Wiring Specifications

SERVOPACK-end Leads		Linear Servomotor-end Connector	
Wire Color	Signal	Signal	Pin No.
Red	Phase U	Phase U	1
White	Phase V	Phase V	2
Blue	Phase W	Phase W	3
Green/yellow	FG	FG	4

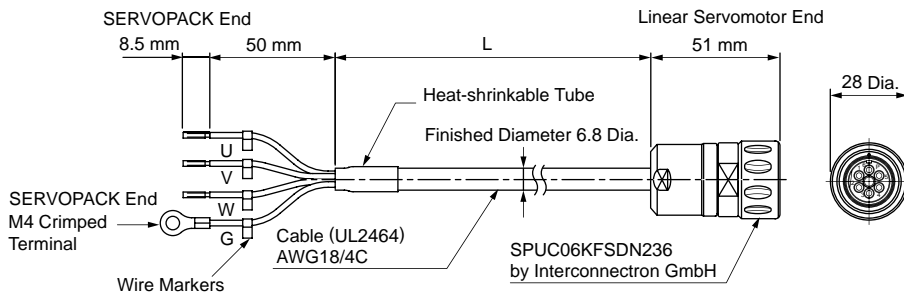
(2) Linear Servomotor Main Circuit Cables: JZSP-CLN21-□□-E



· Wiring Specifications

SERVOPACK-end Leads		Linear Servomotor-end Connector	
Wire Color	Signal	Signal	Pin No.
Red	Phase U	Phase U	1
White	Phase V	Phase V	2
Blue	Phase W	Phase W	3
Green/yellow	FG	FG	4

(3) Linear Servomotor Main Circuit Cables: JZSP-CLN14-□□-E

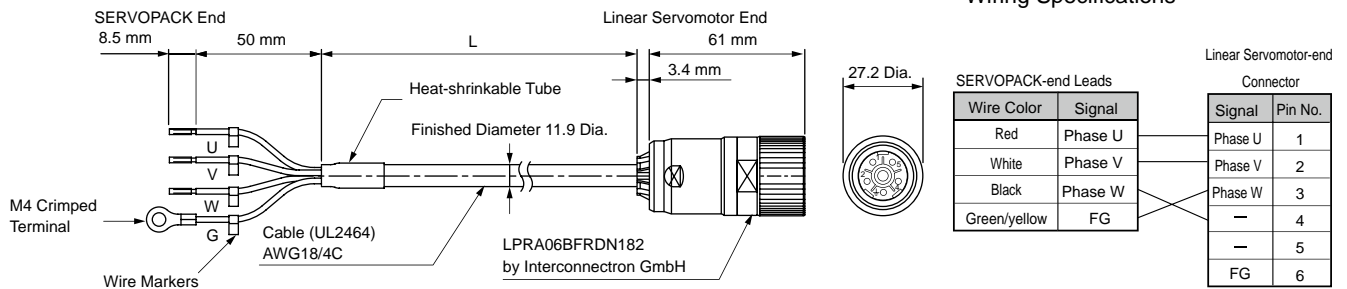


· Wiring Specifications

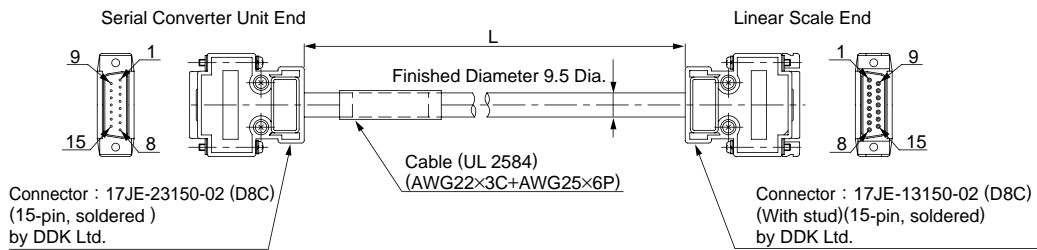
SERVOPACK-end Leads		Linear Servomotor-end Connector	
Wire Color	Signal	Signal	Pin No.
Black (White 1)	Phase U	Phase U	1
Black (White 2)	Phase V	Phase V	2
Black (White 3)	Phase W	Phase W	3
Green/yellow	FG	-	4
		-	5
		FG	6

# Selecting Cables

## (4) Linear Servomotor Main Circuit Cables: JZSP-CLN15-□□-E



## (5) Cables for Connecting Linear Scales: JZSP-CLL00-□□-E



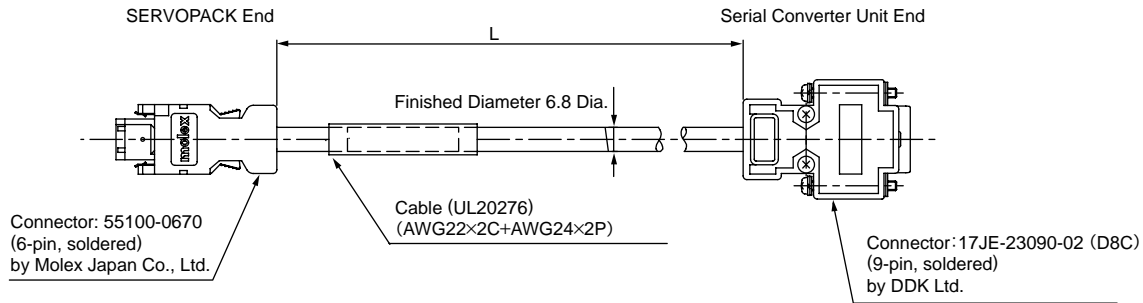
### Wiring Specifications

Serial Converter Unit End		Linear Scale End	
Pin No.	Signal	Pin No.	Signal
1	/Cos(V1-)	1	/Cos(V1-)
2	/Sin(V2-)	2	/Sin(V2-)
3	Ref(V0+)	3	Ref(V0+)
4	+5V	4	+5V
5	5Vs	5	5Vs
6	BID	6	BID
7	Vx	7	Vx
8	Vq	8	Vq
9	Cos(V1+)	9	Cos(V1+)
10	Sin(V2+)	10	Sin(V2+)
11	/Ref(V0+)	11	/Ref(V0-)
12	0V	12	0V
13	0Vs	13	0Vs
14	DIR	14	DIR
15	Inner	15	Inner
Case	Shield	Case	Shield



Selecting Cables

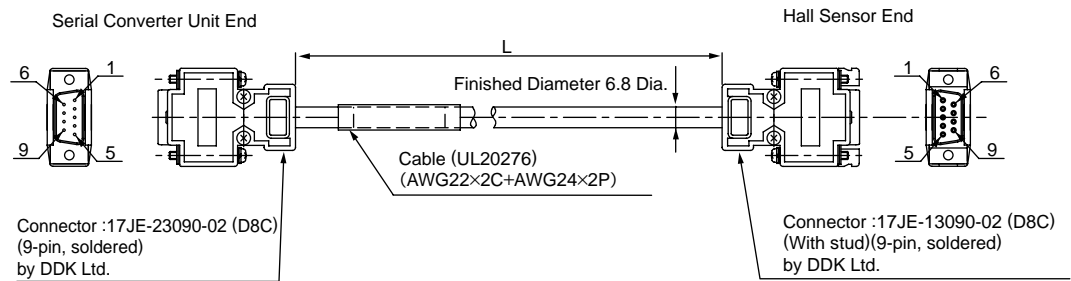
(6) Cables for Connecting Serial Converter Units: JZSP-CLP70-□□-E



· Wiring Specifications

SERVOPACK End			Serial Converter Unit End		
Pin No.	Signal	Wire Color	Pin No.	Signal	Wire Color
1	PG5V	Red	1	+5V	Red
2	PG0V	Black	5	0V	Black
3	-	-	3	-	-
4	-	-	4	-	-
5	PS	Light blue	2	Phase S output	Light blue
6	/PS	Light blue/white	6	Phase /S output	Light blue/white
Shell	Shield	-	Case	Shield	-
			7	-	-
			8	-	-
			9	-	-

(7) Cables for Connecting Hall Sensors: JZSP-CLL10-□□-E



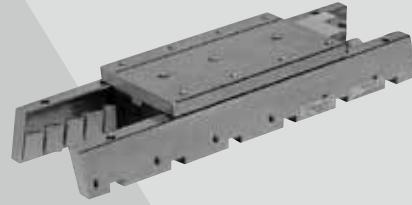
· Wiring Specifications

Serial Converter Unit End		Hall Sensor End	
Pin No.	Signal	Pin No.	Signal
1	+5V	1	+5V
2	Phase U input	2	Phase U input
3	Phase V input	3	Phase V input
4	Phase W input	4	Phase W input
5	0V	5	0V
6	-	6	-
7	-	7	-
8	-	8	-
9	-	9	-
Case	Shield	Case	Shield

# Linear Servomotors

# SGLTW

(With T-type iron core)



## Model Designations

### ● Moving Coil (All Models are Non-Stock)

SGL T W - 20 A 170 A P □

Linear  $\Sigma$  Series

Servomotor Type

Code	Specifications
T	T-type iron core

W: Moving Coil

Magnet Height

Voltage

A: 200 VAC  
D: 400 VAC

Length of Moving Coil

Design Revision Order

A, B, ...  
H: High-efficiency Type

Connector for Main Circuit Cable

Code	Specification	Applicable Model
Blank	Connector by Tyco Electronics AMP K.K.	SGLTW
		-20A□□□□□□
		-35A□□□□□□
D	MS connector	SGLTW
		-40□□□□B□
		-80□□□□B□
D	Connector by Interconnectron GmbH	SGLTW
		-35D□□□□H□
	-50D□□□□H□	

Hall Sensor

Code	Specifications
P	With hall sensor
Blank	Without hall sensor

Note: Shaded items are non-stock

### ● Magnetic Way (All Models are Non-Stock)

SGL T M - 20 324 A □

Linear  $\Sigma$  Series

Linear Servomotor

Servomotor Type

Code	Specifications
T	T-type iron core

M: Magnetic Way

Magnet Height

Length of Magnetic Way

Options

Code	Specifications	Applicable Model
Blank	Standard	All models
C	With magnet cover	Models with core
Y	With base and magnet cover	SGLTM-20, -35, -40, -80(Note)

Note: Not available for these models: the SGLTM-35□□□□H and the SGLTM-50□□□□H.

Design Revision Order

A, B, ...  
H: High-efficiency Type

- Direct-feed mechanism for high-speed and high-precision positioning.
- Yaskawa's unique construction principles of the TW linear motors negate the effects of the magnetic attraction force between the relative motor members.
- Lack of magnetic attraction helps to extend the life of the linear motion guides and to minimize operation noise.
- Very little cogging.

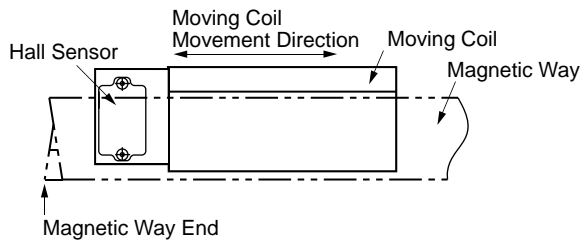
- Feeders and loaders
- Mounters
- Machine tools

● Precautions on Moving Coil with Hall Sensor

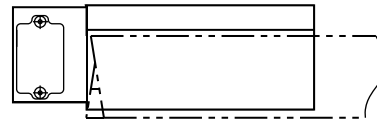
When using a moving coil with a hall sensor, the magnetic way must completely cover the bottom of the hall sensor. Refer to the example showing the correct installation.

When determining the length of the moving coil's stroke or the length of the magnetic way, consider the total length of the moving coil and the hall sensor unit. Refer to the following table.

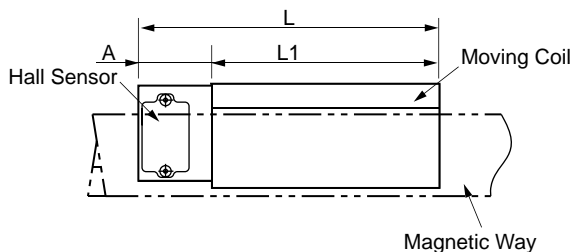
< Correct >



< Incorrect >



The total length of moving coil with hall sensor



Moving Coil Model	Length of Moving Coil L1 (mm)	Length of Hall Sensor Unit A (mm)	Total Length L (mm)	
20A170AP□	170	34	204	
20A320AP□	315		349	
20A460AP□	460		494	
35A170AP□	170	34	204	
35A320AP□	315		349	
35A460AP□	460		494	
35□170HP□	170	34	204	
35□320HP□	315		349	
50□170HP□	170		204	
50□320HP□	315	34	349	
40A400AP□	395		26	421
40A600AP□	585		36	621
80A400AP□	395	26	421	
80A600AP□	585		621	
40□400BP□	395		421	
40□600BP□	575	26	601	
80□400BP□	395		421	
80□600BP□	575		601	

## Ratings and Specifications

Time Rating: Continuous

Insulation Resistance: 500 VDC, 10 MΩ min.

Ambient Temperature: 0 to 40°C

Excitation: Permanent magnet

Withstand Voltage: 1500 VAC for one minute

Enclosure: Self-cooled

Ambient Humidity: 20% to 80% (no condensation)

Allowable Winding Temperature: 130°C (Thermal class B)

### 200-V Class

Linear Servomotor Model SGLTW- <input type="text"/>		Standard Type										High-efficiency Type			
		20A			35A			40A		80A		35A		50A	
		170A	320A	460A	170A	320A	460A	400B	600B	400B	600B	170H	320H	170H	320H
Peak Speed	m/s	5	5	5	5	5	5	3.1	3.1	2.5	2.5	4.8	4.8	3.2	3.1
Rated Force*	N	130	250	380	220	440	670	670	1000	1300	2000	300	600	450	900
Rated Current*	A <sub>rms</sub>	2.3	4.4	6.7	3.5	7	10.7	7.3	10.9	11.1	17.1	5.1	10.1	4.9	9.8
Peak Force*	N	380	760	1140	660	1320	2000	2600	4000	5000	7500	600	1200	900	1800
Peak Current*	A <sub>rms</sub>	7.7	15.4	23.2	12.1	24.2	36.7	39.4	60.6	57.9	86.9	11.9	23.9	11.5	22.9
Moving Coil Mass	kg	2.5	4.6	6.7	3.7	6.8	10	15	23	24	35	4.9	8.8	6	11
Force Constant	N/A <sub>rms</sub>	61	61	61	67.5	67.5	67.5	99.1	99.1	126	126	64	64	98.5	98.5
BEMF Constant	V/(m/s)	20.3	20.3	20.3	22.5	22.5	22.5	33	33	42	42	21.3	21.3	32.8	32.8
Motor Constant	N/√w	18.7	26.5	32.3	26.7	37.5	46.4	61.4	75.2	94.7	116	37.4	52.9	50.3	71.1
Electrical Time Constant	ms	5.9	5.9	5.9	6.9	6.8	7	15.2	15.2	17	17	15.1	15.1	16.5	16.5
Mechanical Time Constant	ms	7.5	6.5	6.4	5.2	4.8	4.6	4	4	3	3	3.3	3.3	2.8	2.8
Thermal Resistance (With Heat Sink)	K/W	1.01	0.49	0.38	0.76	0.44	0.32	0.24	0.2	0.22	0.18	0.76	0.4	0.61	0.3
Thermal Resistance (Without Heat Sink)	K/W	1.82	1.11	0.74	1.26	0.95	0.61	0.57	0.4	0.47	0.33	1.26	0.83	0.97	0.8
Magnetic Attraction <sup>1</sup>	N	0	0	0	0	0	0	0	0	0	0	0	0	0	0
Magnetic Attraction(on one side) <sup>2</sup>	N	800	1590	2380	1400	2780	4170	3950	5890	7650	11400	1400	2780	2000	3980
Applicable SERVOPACK	SGDV-	3R8A	7R6A	120A	5R5A	120A	180A	180A	330A	330A	550A	5R5A	120A	5R5A	120A

\*1 : The unbalanced magnetic gap resulted from the moving coil installation condition causes a magnetic attraction on the moving coil.

\*2 : The value indicates the magnetic attraction generated on one side of the magnetic way.

Notes: 1 The items marked with an \* and Force and Speed Characteristics (on the next page) are the values at a motor winding temperature of 100°C during operation in combination with a SERVOPACK. The others are at 20°C.

2 The above specifications show the values under the cooling condition when a heat sink (aluminum board) listed in the following table is mounted on the moving coil.

Heat Sink Size	254 mm×254 mm×25 mm : SGLTW-20A170A,-35A170A
	400 mm×500 mm×40 mm : SGLTW-20A320A,-20A460A,-35A170H,-35A320A,-35A320H,-35A460A,-50A170H
	609 mm×762 mm×50 mm : SGLTW-40A400B,-40A600B,-50A320H,-80A400B,-80A600B

### 400-V Class

Linear Servomotor Model SGLTW- <input type="text"/>		Standard Type				High-efficiency Type			
		40D		80D		35D		50D	
		400B	600B	400B	600B	170H	320H	170H	320H
Peak Speed	m/s	3.1	3.1	3.1	3.1	5	5	4	4
Rated Force*	N	670	1000	1300	2000	300	600	450	900
Rated Current*	A <sub>rms</sub>	3.7	5.5	7.2	11.1	3.2	6.5	3.2	6.3
Peak Force*	N	2600	4000	5000	7500	600	1200	900	1800
Peak Current*	A <sub>rms</sub>	20.7	30.6	37.6	56.4	7.7	15.5	7.4	14.8
Moving Coil Mass	kg	15	23	24	35	4.7	8.8	6	11
Force Constant	N/A <sub>rms</sub>	196.1	196.1	194.4	194.4	99.6	99.6	153.3	153.3
BEMF Constant	V/(m/s)	65.4	65.4	64.8	64.8	33.2	33.2	51.1	51.1
Motor Constant	N/√w	59.6	73	85.9	105.2	36.3	51.4	48.9	69.1
Electrical Time Constant	ms	14.3	14.4	15.6	15.6	14.3	14.4	15.6	15.6
Mechanical Time Constant	ms	4.3	4.2	3.2	3.2	3.5	3.3	2.5	2.5
Thermal Resistance (With Heat Sink)	K/W	0.24	0.2	0.22	0.18	0.76	0.4	0.61	0.3
Thermal Resistance (Without Heat Sink)	K/W	0.57	0.4	0.47	0.33	1.26	0.83	0.97	0.8
Magnetic Attraction <sup>1</sup>	N	0	0	0	0	0	0	0	0
Magnetic Attraction(on one side) <sup>2</sup>	N	3950	5890	7650	11400	1400	2780	2000	3980
Applicable SERVOPACK	SGDV-	120D	170D	170D	260D	3R5D	8R4D	3R5D	8R4D

\*1 : The unbalanced magnetic gap resulted from the moving coil installation condition causes a magnetic attraction on the moving coil.

\*2 : The value indicates the magnetic attraction generated on one side of the magnetic way.

Notes: 1 The items marked with an \* and Force and Speed Characteristics (on page 163) are the values at a motor winding temperature of 100°C during operation in combination with a SERVOPACK. The others are at 20°C.

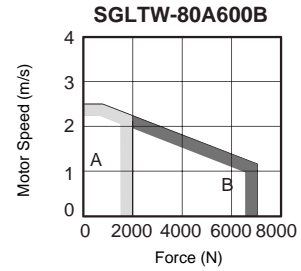
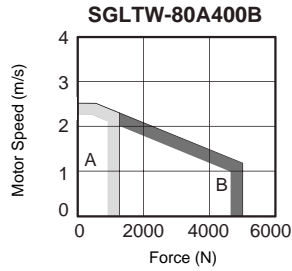
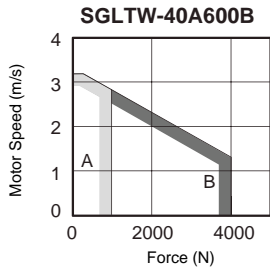
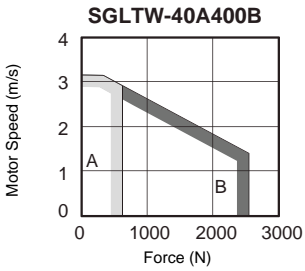
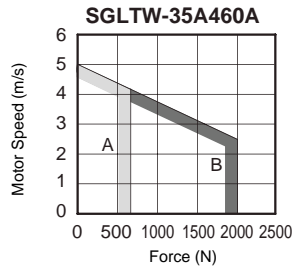
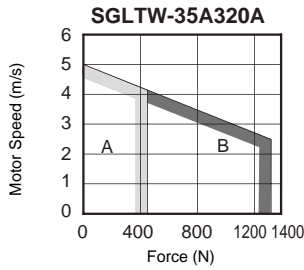
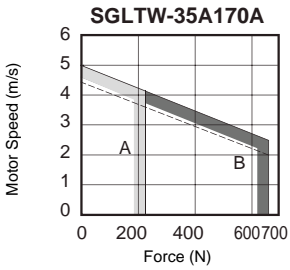
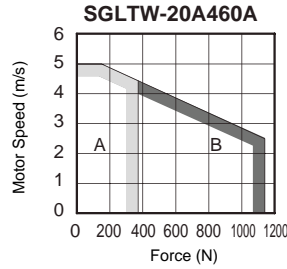
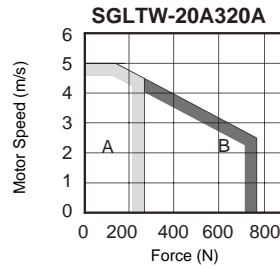
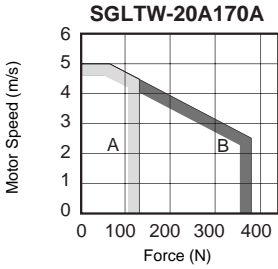
2 The above specifications show the values under the cooling condition when a heat sink (aluminum board) listed in the following table is mounted on the moving coil.

Heat Sink Size	400 mm×500 mm×40 mm : SGLTW-35D170H,-35D320H,-50D170H
	609 mm×762 mm×50 mm : SGLTW-40D400B,-40D600B,-50D320H,-80D400B,-80D600B

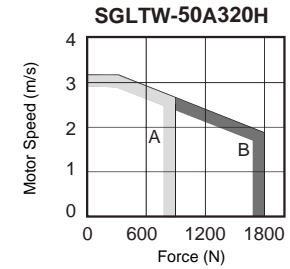
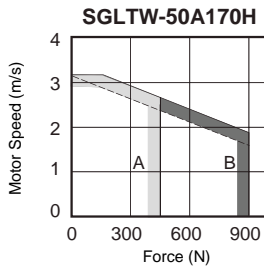
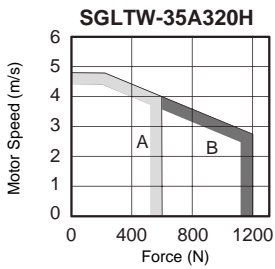
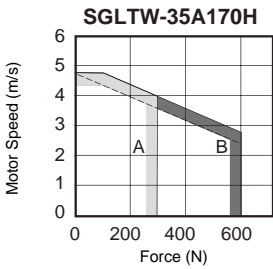
**Ratings and Specifications**

● Force and Speed Characteristics **A** : Continuous Duty Zone **B** : Intermittent Duty Zone

200-V Class Standard Type



200-V Class High-efficiency Type

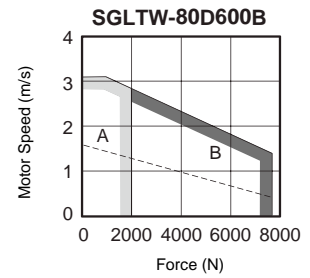
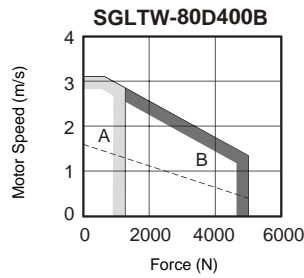
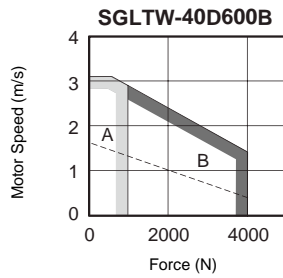
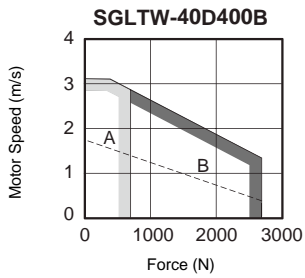


Note: When the effective force during intermittent duty is within the rated force, the servomotor can be used within the intermittent duty zone.

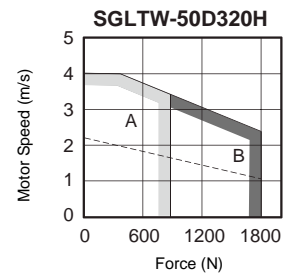
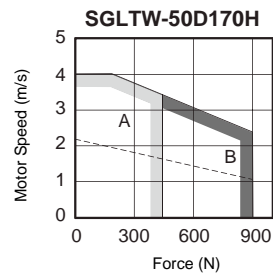
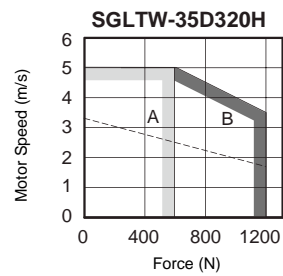
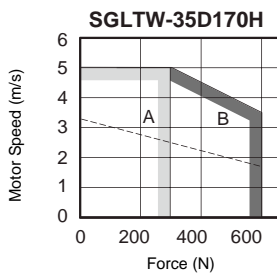
## Ratings and Specifications

### ● Force and Speed Characteristics (cont'd) **A** : Continuous Duty Zone **B** : Intermittent Duty Zone

#### 400-V Class Standard Type



#### 400-V Class High-efficiency Type



Notes: 1 When the effective force during intermittent duty is within the rated force, the servomotor can be used within the intermittent duty zone.

2 The dotted line indicates the characteristics when a 400-VAC linear servomotor is used with 200-V input power supply. In this case, a serial converter unit is required. Contact your Yaskawa representative for details.

### ● Mechanical Specifications

#### (1) Impact Resistance

- Impact acceleration: 196 m/s<sup>2</sup>
- Impact occurrences: twice

#### (2) Vibration Resistance

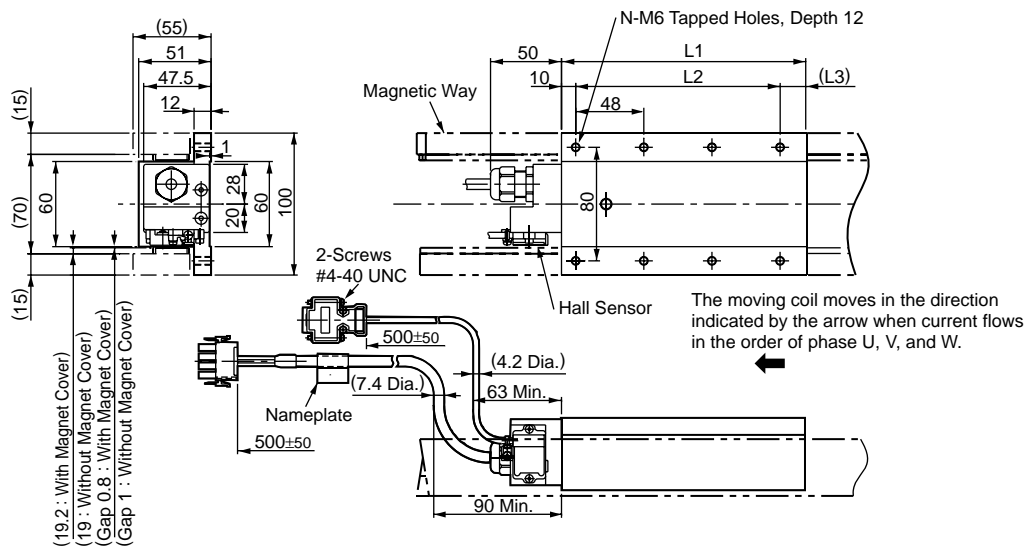
The linear servomotors will withstand the following vibration acceleration in three directions: Vertical, side to side, and front to back.

- Vibration acceleration: 49 m/s<sup>2</sup>

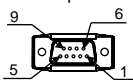
**External Dimensions** Units: mm

(1) Standard Type SGLTW-20

- Moving Coil: SGLTW-20A□□□A□ (With a connector by Tyco Electronics AMP K.K.)



Hall Sensor Connector Specifications



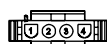
Pin Connector:  
17JE-23090-02 (D8C)  
by DDK Ltd.

The Mating Connector

Socket Connector:  
17JE-13090-02 (D8C)  
Stud: 17L-002C or  
17L-002C1

Pin No.	Signal
1	+5VDC
2	Phase U
3	Phase V
4	Phase W
5	0V
6	Not used
7	Not used
8	Not used
9	Not used

Linear Servomotor Connector Specifications



Plug: 350779-1  
Pin : 350218-3 or  
350547-3 (No.1 to 3)  
350654-1  
350669-1 (No.4)  
by Tyco Electronics AMP K.K.

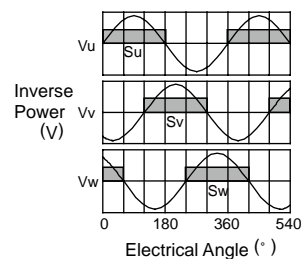
The Mating Connector

Cap : 350780-1  
Socket: 350536-3 or  
350550-3

Pin No.	Signal	Wire Color
1	Phase U	Red
2	Phase V	White
3	Phase W	Black
4	Ground	Green

Hall Sensor Output Signals

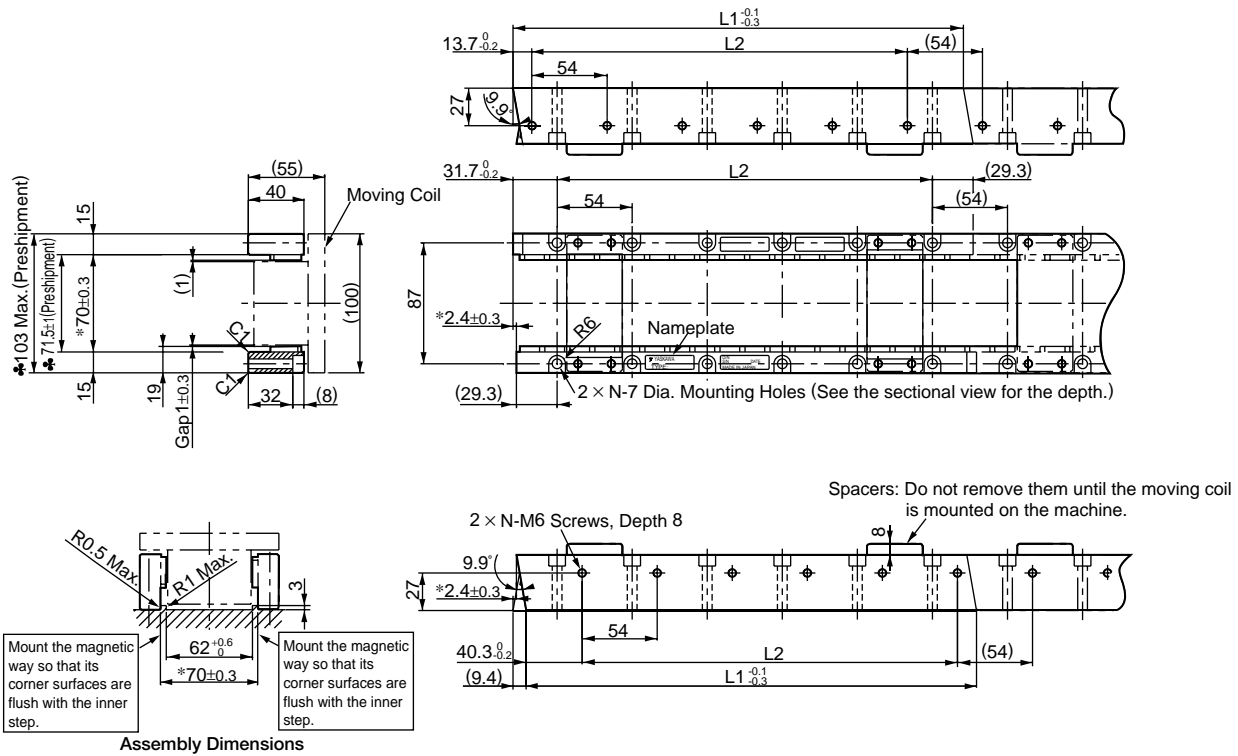
When the moving coil moves in the direction indicated by the arrow in the figure, the relationship between the hall sensor output signals  $S_u$ ,  $S_v$ ,  $S_w$  and the inverse power of each motor phase  $V_u$ ,  $V_v$ ,  $V_w$  becomes as shown in the figure below.



Moving Coil Model SGLTW-	L1	L2	(L3)	N	Approx. Mass kg
20A170A□	170	144 (48×3)	(16)	8	2.5
20A320A□	315	288 (48×6)	(17)	14	4.6
20A460A□	460	432 (48×9)	(18)	20	6.7

# External Dimensions Units: mm

● Magnetic Way : SGLTM-20□□□□A□



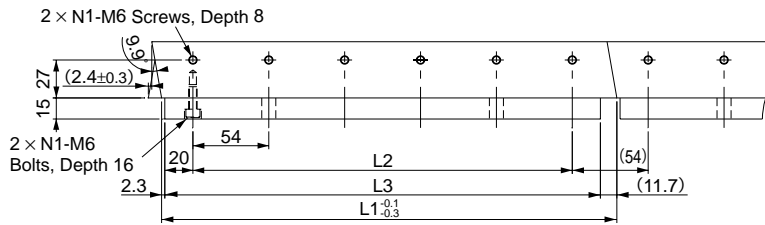
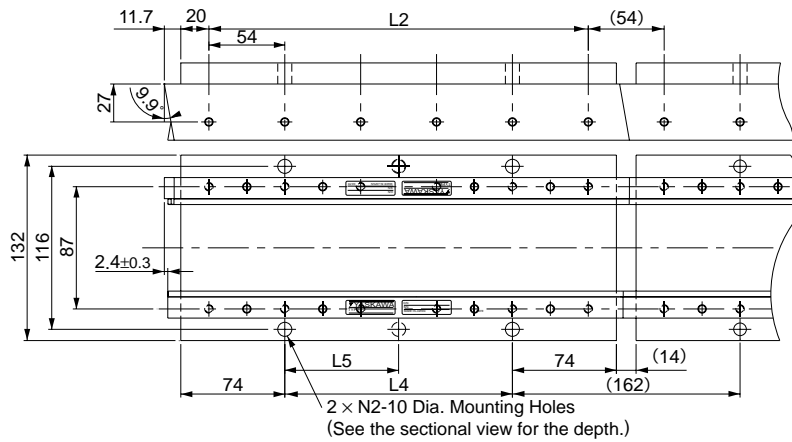
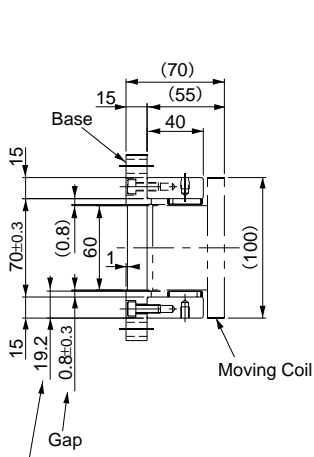
- Notes: 1 Two magnetic ways for both ends of moving coil make one set. Spacers are mounted on magnetic ways for safety during transportation. Do not remove the spacers until the moving coil is mounted on a machine.  
 2 If you have a pacemaker or any other electronic medical device, do not go near the magnetic way of the linear servomotor.  
 3 Two magnetic ways in a set can be connected to each other.  
 4 The dimensions marked with an \* are the dimensions between the magnetic ways. Be sure to follow exactly the dimensions specified in the figure above. Mount magnetic ways as shown in Assembly Dimensions. The values with a ♣ are the dimensions at preshipment.  
 5 Use socket headed screws of strength class 10.9 minimum for magnetic way mounting screws. Do not use stainless steel screws.

Magnetic Way Model SGLTM-	L1 <sup>0.1</sup> <sub>0.3</sub>	L2	N	Approx. Mass kg
20324A□	324	270 (54×5)	6	3.4
20540A□	540	486 (54×9)	10	5.7
20756A□	756	702 (54×13)	14	7.9



**External Dimensions** Units: mm

- Magnetic Way with Base: SGLTM-20□□□AY



- Notes: 1 If you have a pacemaker or any other electronic medical device, do not go near the magnetic way of the linear servomotor.  
 2 Two magnetic ways in a set can be connected to each other.  
 3 The characteristics of the magnetic way with base are the same as of the magnetic way without base (SGLTM-20□□□A).

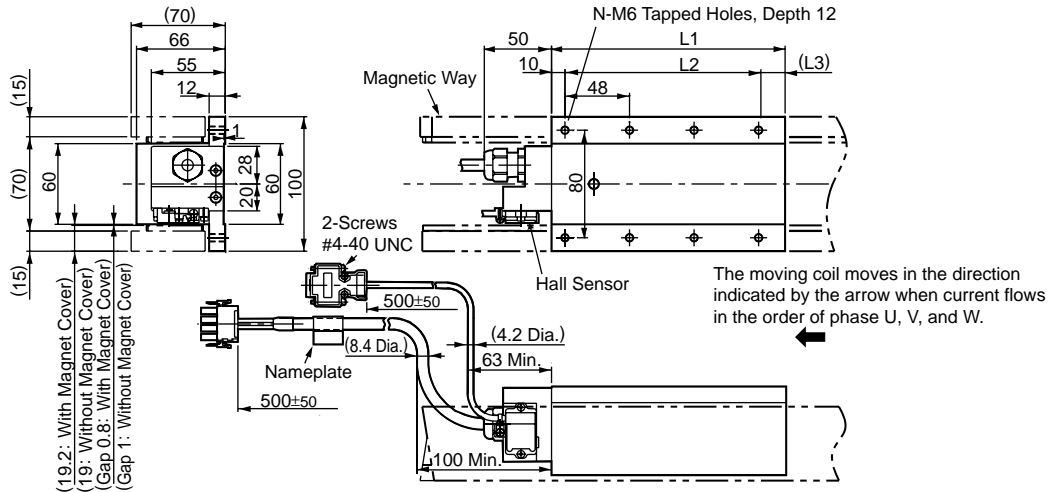
Magnetic Way Model SGLTM-	L1	L2	L3	L4	L5	N1	N2	Approx. Mass kg
20324AY	324	270	310	162	162	6	2	5.1
20540AY	540	486	526	378	189	10	3	8.5
20756AY	756	702	742	594	198	14	4	12

Linear Servomotors

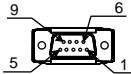
## External Dimensions Units: mm

### (2) Standard Type SGLTW-35A

- Moving Coil: SGLTW-35A□□□A□ (With a connector by Tyco Electronics AMP K.K.)



#### Hall Sensor Connector Specifications



Pin Connector:  
17JE-23090-02 (D8C)  
by DDK Ltd.

The Mating Connector

Socket Connector:  
17JE-13090-02 (D8C)  
Stud: 17L-002C or  
17L-002C1

Pin No.	Signal
1	+5VDC
2	Phase U
3	Phase V
4	Phase W
5	0V
6	Not used
7	Not used
8	Not used
9	Not used

#### Linear Servomotor Connector Specifications



Plug: 350779-1  
Pin : 350218-3 or  
350547-3 (No.1 to 3)  
350654-1  
350669-1 (No.4)  
by Tyco Electronics AMP K.K.

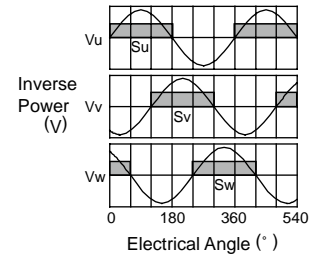
The Mating Connector

Cap : 350780-1  
Socket: 350536-3 or  
350550-3

Pin No.	Signal	Wire Color
1	Phase U	Red
2	Phase V	White
3	Phase W	Black
4	Ground	Green

#### Hall Sensor Output Signals

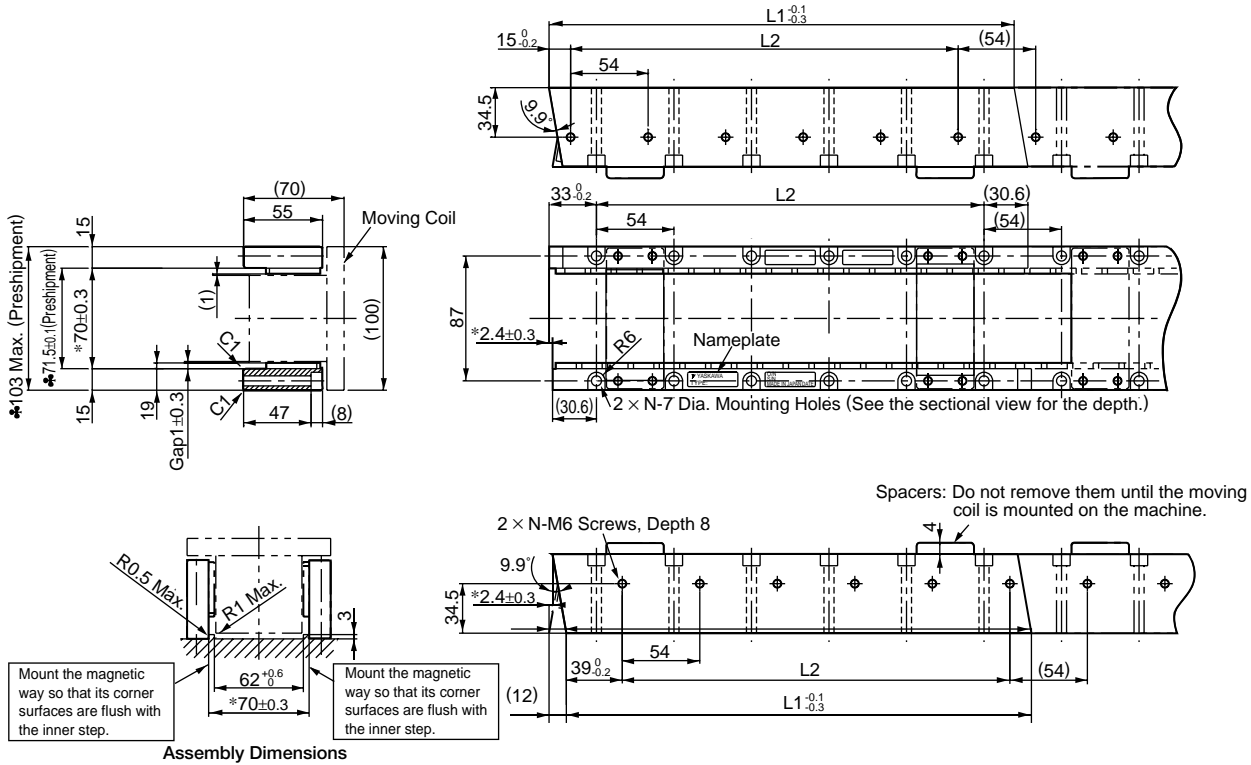
When the moving coil moves in the direction indicated by the arrow in the figure, the relationship between the hall sensor output signals  $S_u$ ,  $S_v$ ,  $S_w$  and the inverse power of each motor phase  $V_u$ ,  $V_v$ ,  $V_w$  becomes as shown in the figure below.



Moving Coil Model SGLTW-	L1	L2	(L3)	N	Approx. Mass kg
35A170A□	170	144 (48×3)	(16)	8	3.7
35A320A□	315	288 (48×6)	(17)	14	6.8
35A460A□	460	432 (48×9)	(18)	20	10

**External Dimensions** Units: mm

- Magnetic Way: SGLTM-35□□□A□



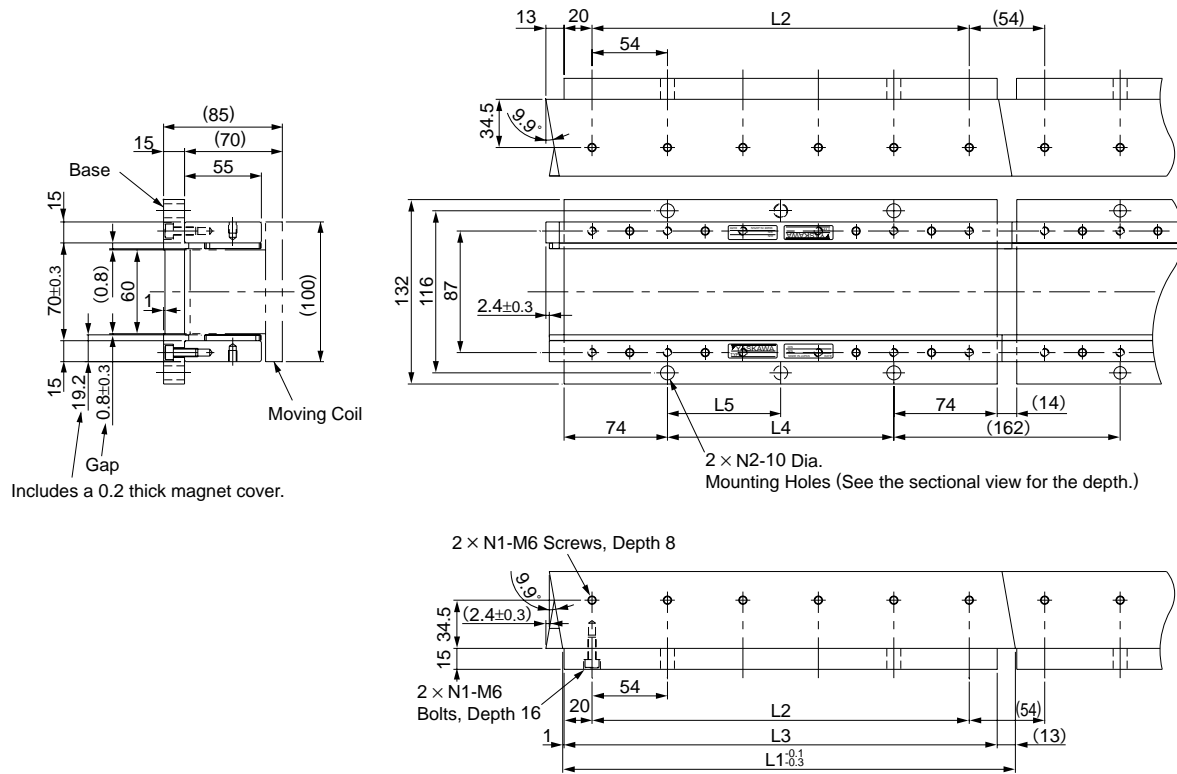
- Notes:
- 1 Two magnetic ways for both ends of moving coil make one set. Spacers are mounted on magnetic ways for safety during transportation. Do not remove the spacers until the moving coil is mounted on a machine.
  - 2 If you have a pacemaker or any other electronic medical device, do not go near the magnetic way of the linear servomotor.
  - 3 Two magnetic ways in a set can be connected to each other.
  - 4 The dimensions marked with an \* are the dimensions between the magnetic ways. Be sure to follow exactly the dimensions specified in the figure above. Mount magnetic ways as shown in Assembly Dimensions. The values with a ♣ are the dimensions at preshipment.
  - 5 Use socket headed screws of strength class 10.9 minimum for magnetic way mounting screws. Do not use stainless steel screws.

Magnetic Way Model SGLTM-	L1 <sup>-0.1</sup> <sub>0.3</sub>	L2	N	Approx. Mass kg
35324A□	324	270 (54×5)	6	4.8
35540A□	540	486 (54×9)	10	8
35756A□	756	702 (54×13)	14	11

Linear Servomotors

## External Dimensions Units: mm

● Magnetic Way with Base: SGLTM-35□□□AY



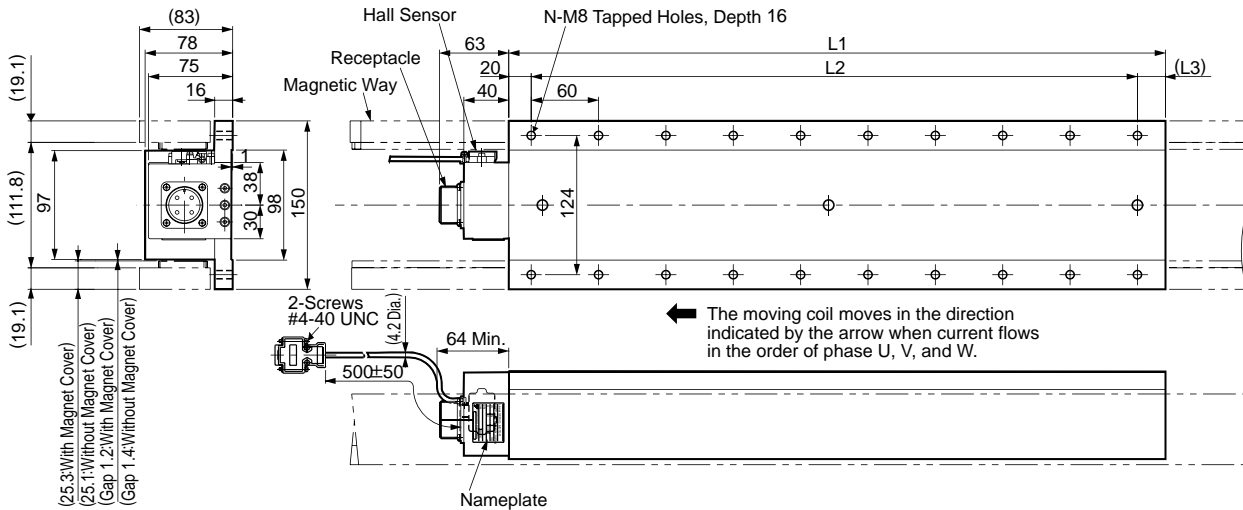
- Notes: 1 If you have a pacemaker or any other electronic medical device, do not go near the magnetic way of the linear servomotor.  
 2 Two magnetic ways in a set can be connected to each other.  
 3 The characteristics of the magnetic way with base are the same as of the magnetic way without base (SGLTM-35□□□A).

Magnetic Way Model SGLTM-	L1	L2	L3	L4	L5	N1	N2	Approx. Mass kg
35324AY	324	270	310	162	162	6	2	6.4
35540AY	540	486	526	378	189	10	3	11
35756AY	756	702	742	594	198	14	4	15

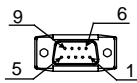
**External Dimensions** Units: mm

(3) Standard Type SGLTW-40

- Moving Coil: SGLTW-40□□□□B□ (With an MS connector)



Hall Sensor Connector Specifications



Pin Connector:  
17JE-23090-02 (D8C)  
by DDK Ltd.

The Mating Connector

Socket Connector:  
17JE-13090-02 (D8C)  
Stud: 17L-002C or  
17L-002C1

Pin No.	Signal
1	+5VDC
2	Phase U
3	Phase V
4	Phase W
5	0V
6	Not used
7	Not used
8	Not used
9	Not used

Linear Servomotor Connector Specifications



Receptacle type: MS3102A-22-22P  
□ by DDK Ltd.

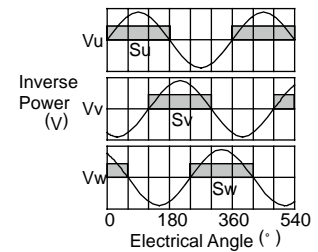
The Mating Connector

L-shaped plug type : MS3108B22-22S  
Straight plug type : MS3106B22-22S  
Cable clamp type : MS3057-12A

Pin No.	Signal
A	Phase U
B	Phase V
C	Phase W
D	Ground

Hall Sensor Output Signals

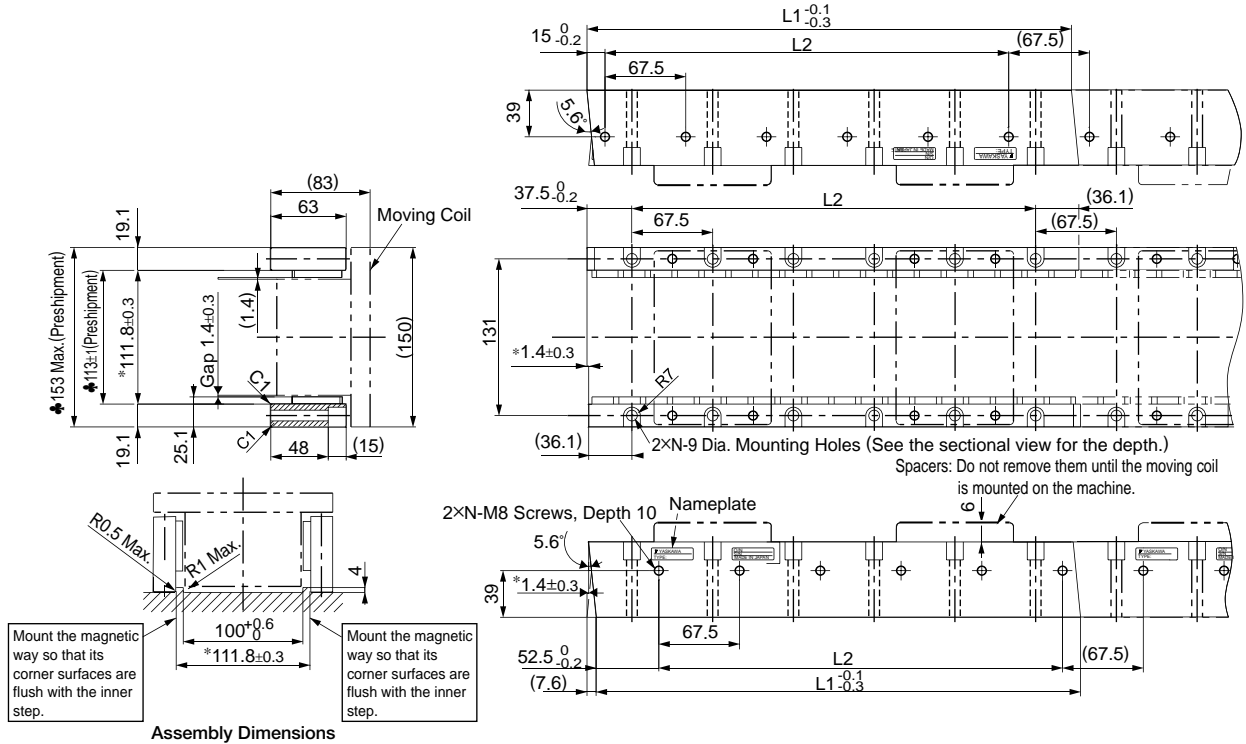
When the moving coil moves in the direction indicated by the arrow in the figure, the relationship between the hall sensor output signals  $S_u$ ,  $S_v$ ,  $S_w$  and the inverse power of each motor phase  $V_u$ ,  $V_v$ ,  $V_w$  becomes as shown in the figure below.



Moving Coil Model SGLTW-	L1	L2	(L3)	N	Approx. Mass kg
40□400B□	395	360(60×6)	(15)	14	15
40□600B□	575	540(60×9)	(15)	20	22

# External Dimensions Units: mm

● Magnetic Way : SGLTM-40□□□□A□

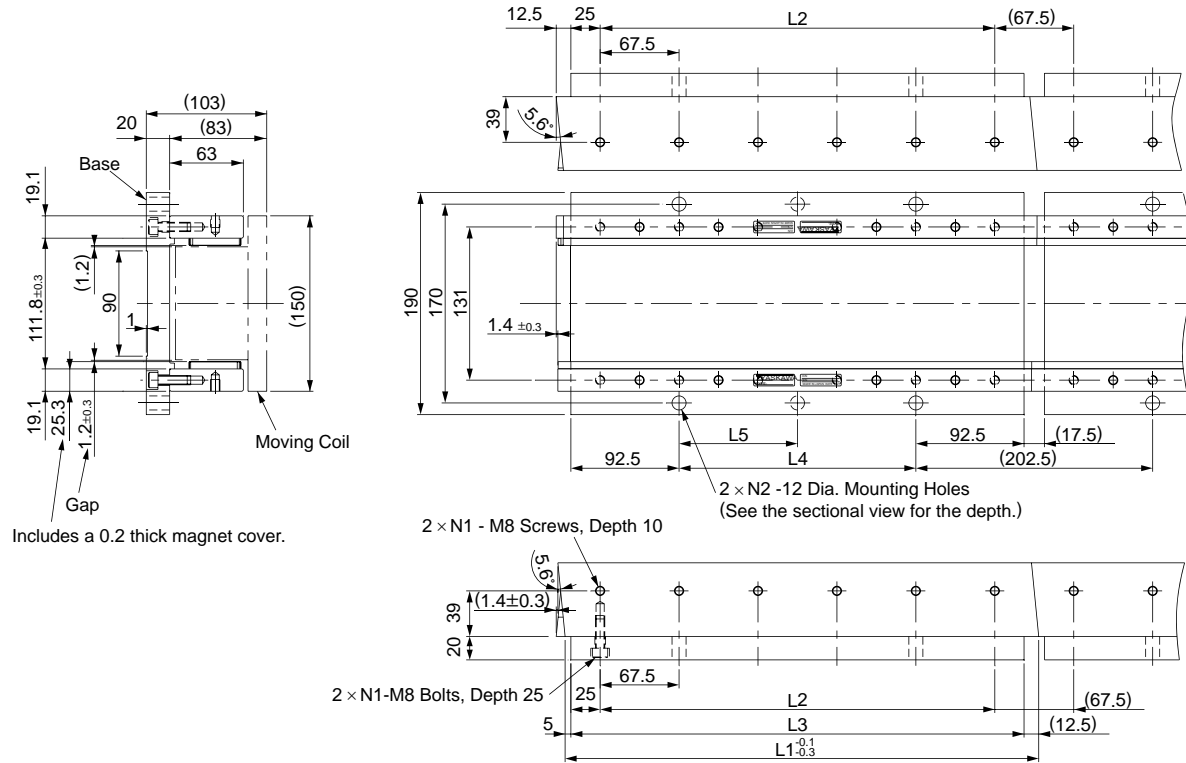


- Notes: 1 Two magnetic ways for both ends of moving coil make one set. Spacers are mounted on magnetic ways for safety during transportation. Do not remove the spacers until the moving coil is mounted on a machine.  
 2 If you have a pacemaker or any other electronic medical device, do not go near the magnetic way of the linear servomotor.  
 3 Two magnetic ways in a set can be connected to each other.  
 4 The dimensions marked with an \* are the dimensions between the magnetic ways. Be sure to follow exactly the dimensions specified in the figure above. Mount magnetic ways as shown in Assembly Dimensions. The values with a ♣ are the dimensions at preshipment.  
 5 Use socket headed screws of strength class 10.9 minimum for magnetic way mounting screws. Do not use stainless steel screws.

Magnetic Way Model SGLTM-	L1 <sup>±0.1</sup> <sub>±0.3</sub>	L2	N	Approx. Mass kg
40405A□	405	337.5 (67.5×5)	6	9
40675A□	675	607.5 (67.5×9)	10	15
40945A□	945	877.5 (67.5×13)	14	21

**External Dimensions** Units: mm

- Magnetic Way with Base: SGLTM-40□□□AY



- Notes: 1 If you have a pacemaker or any other electronic medical device, do not go near the magnetic way of the linear servomotor.  
 2 Two magnetic ways in a set can be connected to each other.  
 3 The characteristics of the magnetic way with base are the same as of the magnetic way without base (SGLTM-40□□□A).

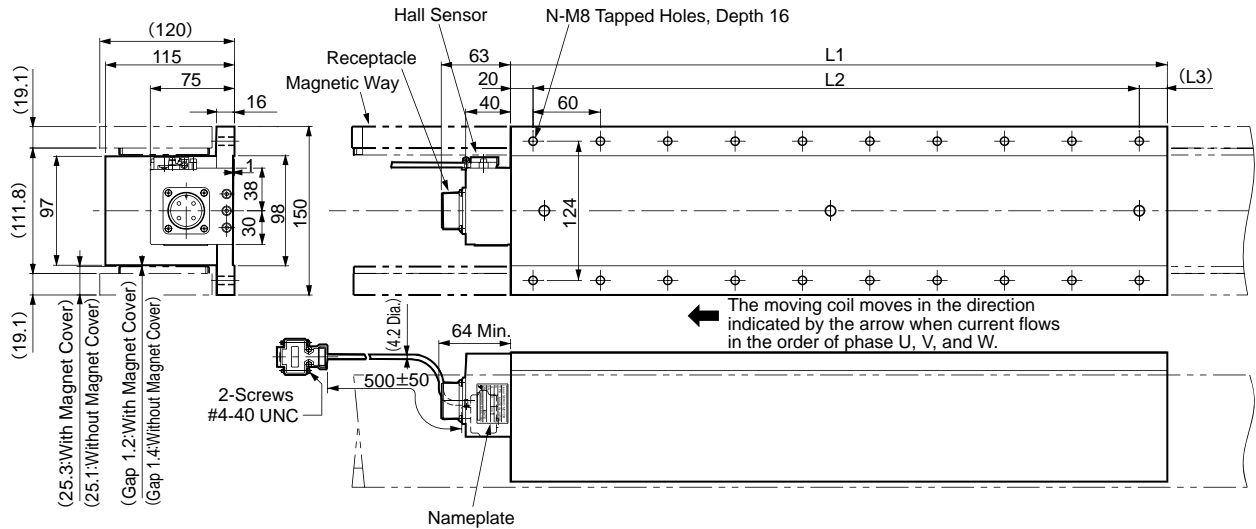
Magnetic Way Model SGLTM-	L1	L2	L3	L4	L5	N1	N2	Approx. Mass kg
40405AY	405	337.5	387.5	202.5	202.5	6	2	13
40675AY	675	607.5	657.5	472.5	236.25	10	3	21
40945AY	945	877.5	927.5	742.5	247.5	14	4	30

Linear Servomotors

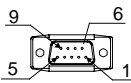
## External Dimensions Units: mm

### (4) Standard Type SGLTW-80

- Moving Coil: SGLTW-80□□□□B□ (With an MS connector)



#### Hall Sensor Connector Specifications



Pin Connector:  
17JE-23090-02 (D8C)  
by DDK Ltd.

#### The Mating Connector

Socket Connector:  
17JE-13090-02 (D8C)  
Stud: 17L-002C or  
17L-002C1

Pin No.	Signal
1	+5VDC
2	Phase U
3	Phase V
4	Phase W
5	0V
6	Not used
7	Not used
8	Not used
9	Not used

#### Linear Servomotor Connector Specifications



Receptacle type: MS3102A-22-22P  
by DDK Ltd.

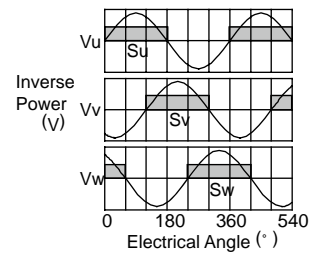
#### The Mating Connector

L-shaped plug type : MS3108B22-22S  
Straight plug type : MS3106B22-22S  
Cable clamp type : MS3057-12A

Pin No.	Signal
A	Phase U
B	Phase V
C	Phase W
D	Ground

#### Hall Sensor Output Signals

When the moving coil moves in the direction indicated by the arrow in the figure, the relationship between the hall sensor output signals  $S_u$ ,  $S_v$ ,  $S_w$  and the inverse power of each motor phase  $V_u$ ,  $V_v$ ,  $V_w$  becomes as shown in the figure below.

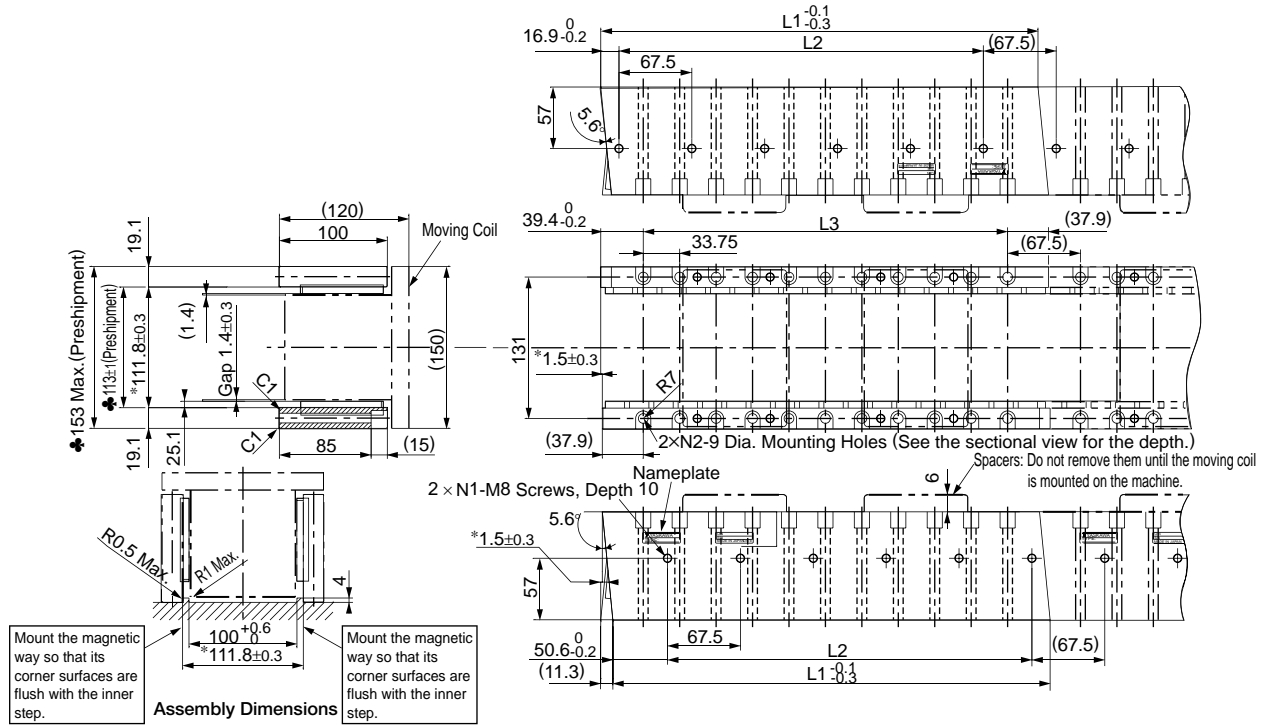


Moving Coil Model SGLTW-	L1	L2	L3	N	Approx. Mass kg
80□400B□	395	360(60×6)	(15)	14	24
80□600B□	575	540(60×9)	(15)	20	35



**External Dimensions** Units: mm

- Magnetic Way : SGLTM-80□□□A□



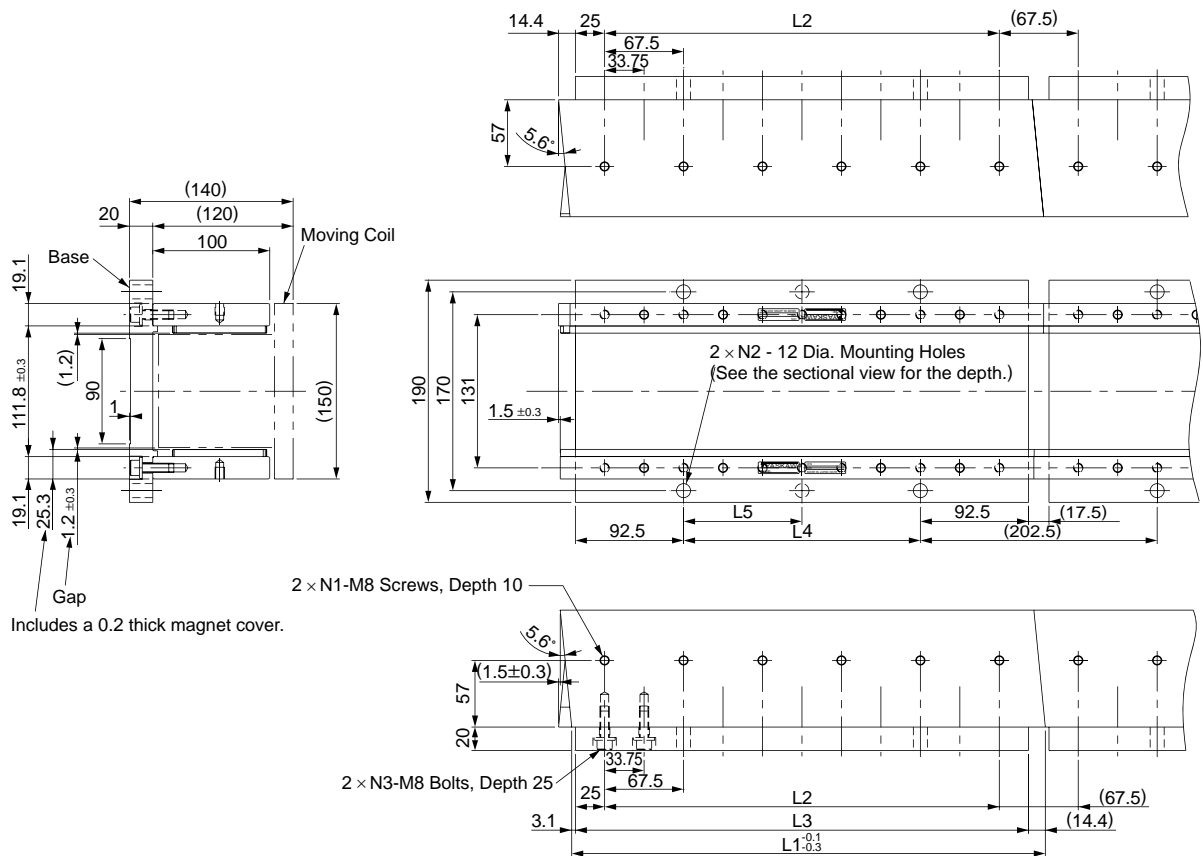
- Notes:
- 1 Two magnetic ways for both ends of moving coil make one set. Spacers are mounted on magnetic ways for safety during transportation. Do not remove the spacers until the moving coil is mounted on a machine.
  - 2 If you have a pacemaker or any other electronic medical device, do not go near the magnetic way of the linear servomotor.
  - 3 Two magnetic ways in a set can be connected to each other.
  - 4 The dimensions marked with an \* are the dimensions between the magnetic ways. Be sure to follow exactly the dimensions specified in the figure above. Mount magnetic ways as shown in Assembly Dimensions. The values with a ♣ are the dimensions at preshipment.
  - 5 Use socket headed screws of strength class 10.9 minimum for magnetic way mounting screws. Do not use stainless steel screws.

Magnetic Way Model SGLTM-	L1 <sup>-0.1</sup> <sub>-0.3</sub>	L2	L3	N1	N2	Approx. Mass kg
80405A□	405	337.5(67.5×5)	337.5(33.75×10)	6	11	14
80675A□	675	607.5(67.5×9)	607.5(33.75×18)	10	19	24
80945A□	945	877.5(67.5×13)	887.5(33.75×26)	14	27	34

Linear Servomotors

## External Dimensions Units: mm

- Magnetic Way with Base: SGLTM-80□□□AY



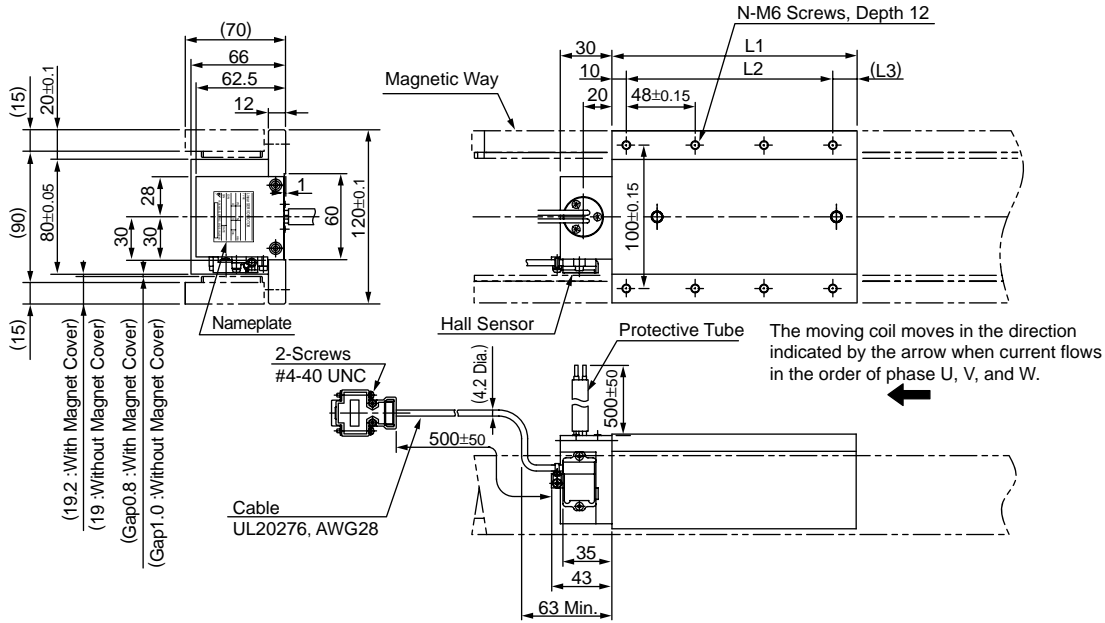
- Notes: 1 If you have a pacemaker or any other electronic medical device, do not go near the magnetic way of the linear servomotor.  
 2 Two magnetic ways in a set can be connected to each other.  
 3 The characteristics of the magnetic way with base are the same as of the magnetic way without base (SGLTM-80□□□A).

Magnetic Way Model SGLTM-	L1	L2	L3	L4	L5	N1	N2	N3	Approx. Mass kg
80405AY	405	337.5	387.5	202.5	202.5	6	2	11	18
80675AY	675	607.5	657.5	472.5	236.25	10	3	19	31
80945AY	945	877.5	927.5	742.5	247.5	14	4	27	43

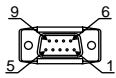
**External Dimensions** Units: mm

(5) High-efficiency Type SGLTW-35A□□□H□

- Moving Coil: SGLTW-35A□□□H□ (With a connector by Tyco Electronics AMP K.K.)



**Hall Sensor Connector Specifications**



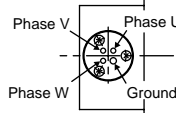
Pin Connector:  
17JE-23090-02 (D8C)  
by DDK Ltd.

The Mating Connector  
Socket Connector:  
17JE-13090-02 (D8C)  
Stud: 17L-002C or  
17L-002C1

Pin No.	Signal
1	+5VDC
2	Phase U
3	Phase V
4	Phase W
5	0V
6	Not used
7	Not used
8	Not used
9	Not used

**Lead Specifications of Moving Coil**

If this cable is bent repetitively, the cable will disconnect.

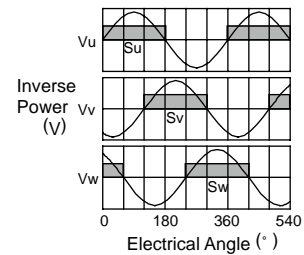


(View from Top of Moving Coil)

Name	Color	Code	Wire Size
Phase U		U	2 mm <sup>2</sup>
Phase V	Black	V	
Phase W		W	
Ground	Green	-	2 mm <sup>2</sup>

**Hall Sensor Output Signals**

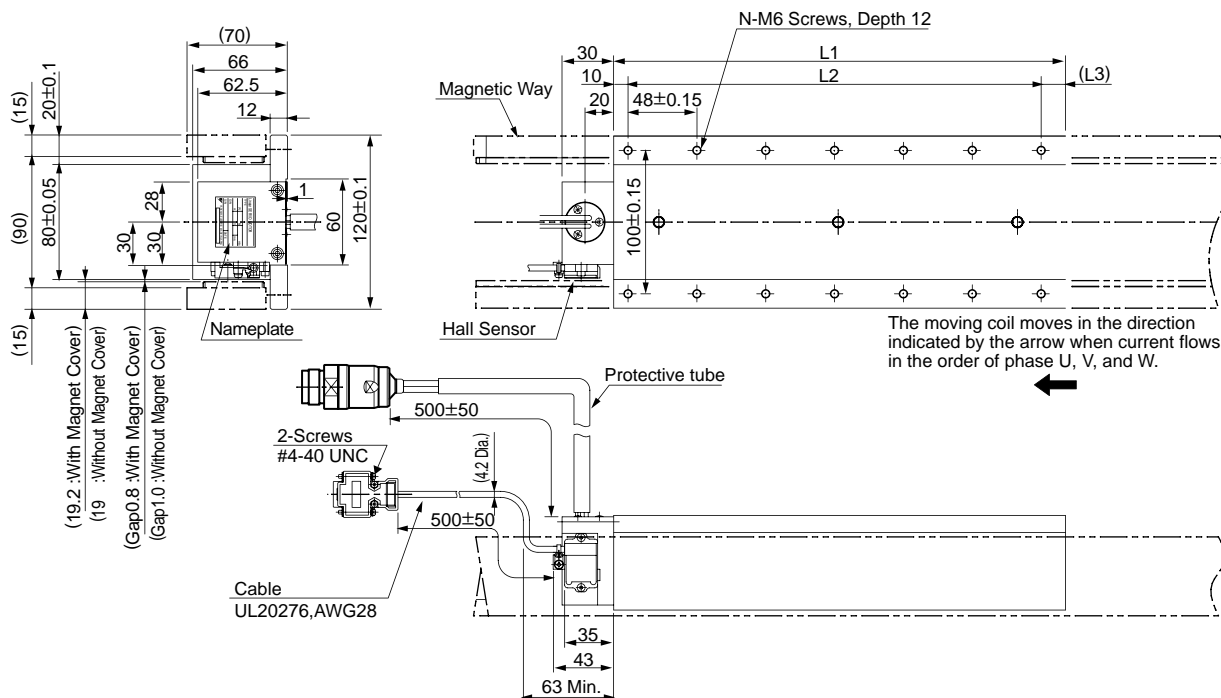
When the moving coil moves in the direction indicated by the arrow in the figure, the relationship between the hall sensor output signals  $S_u$ ,  $S_v$ ,  $S_w$  and the inverse power of each motor phase  $V_u$ ,  $V_v$ ,  $V_w$  becomes as shown in the figure below.



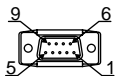
Moving Coil Model SGLTW-	L1	L2	(L3)	N	Approx. Mass kg
35A170H□	170	144 (48×3)	(16)	8	4.7
35A320H□	315	288 (48×6)	(17)	14	8.8

# External Dimensions Units: mm

- Moving Coil: SGLTW-35D□□□H□D (With a connector by Interconnectron GmbH)



### Hall Sensor Connector Specifications



Pin Connector:  
17JE-23090-02 (D8C)  
by DDK Ltd.

### The Mating Connector

Socket Connector:  
17JE-13090-02 (D8C)  
Stud: 17L-002C or  
17L-002C1

Pin No.	Signal
1	+5VDC
2	Phase U
3	Phase V
4	Phase W
5	0V
6	Not used
7	Not used
8	Not used
9	Not used

### Linear Servomotor Connector Specifications



Extension : ARRA06AMRPN182  
Pin : 021.279.1020  
by Interconnectron GmbH

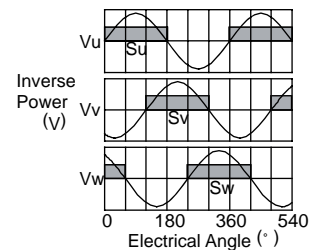
### The Mating Connector

Plug : APRA06BFRDN170  
Socket : 020.105.1020

Pin No.	Signal
1	Phase U
2	Phase V
4	Phase W
5	Not used
6	Not used
⊕	Ground

### Hall Sensor Output Signals

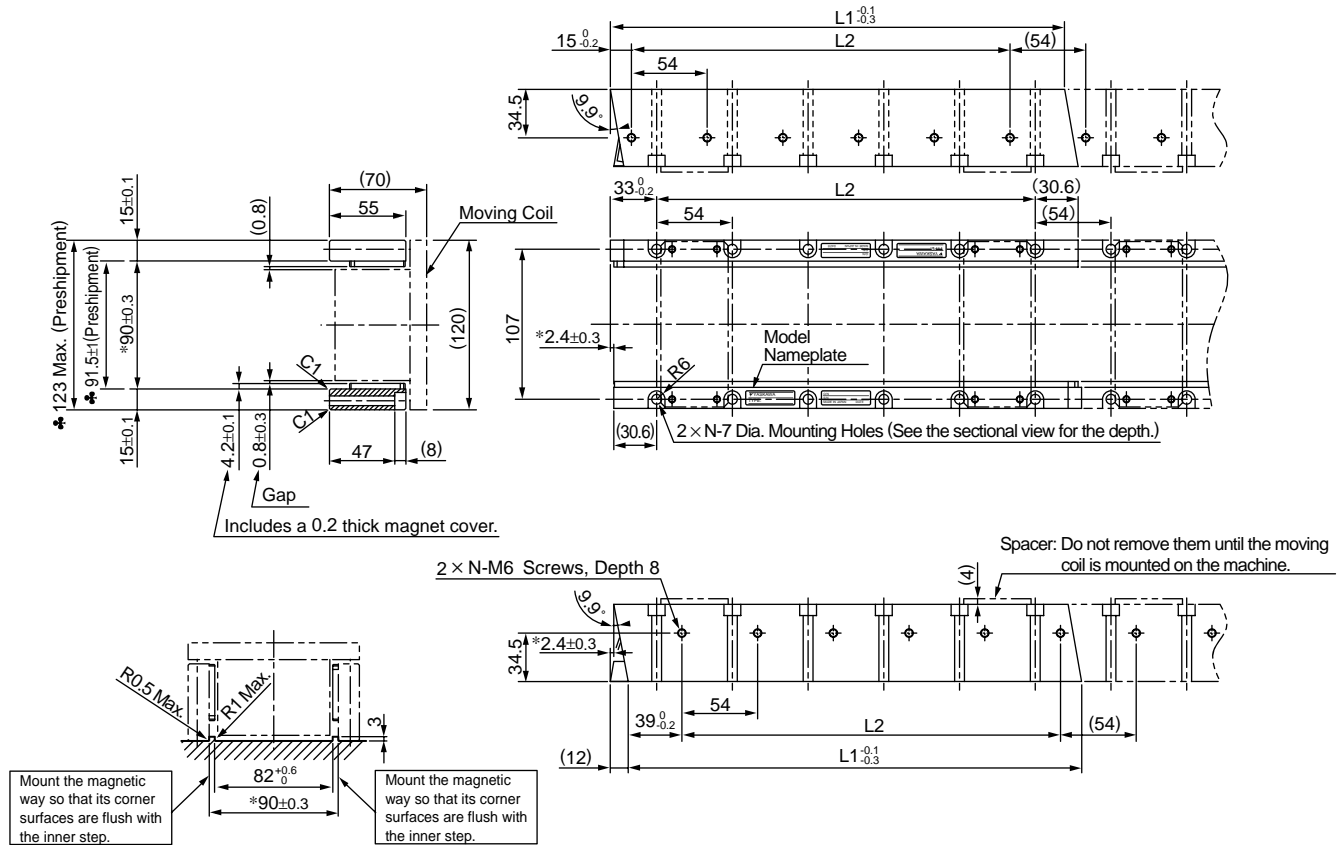
When the moving coil moves in the direction indicated by the arrow in the figure, the relationship between the hall sensor output signals  $S_u$ ,  $S_v$ ,  $S_w$  and the inverse power of each motor phase  $V_u$ ,  $V_v$ ,  $V_w$  becomes as shown in the figure below.



Moving Coil Model SGLTW-	L1	L2	(L3)	N	Approx. Mass kg
35D170H□D	170	144(48x 3)	(16)	8	4.7
35D320H□D	315	288(48x6)	(17)	14	8.8

**External Dimensions** Units: mm

- Magnetic Way: SGLTM-35□□□H□



Assembly Dimensions

- Notes:
- 1 Two magnetic ways for both ends of moving coil make one set. Spacers are mounted on magnetic ways for safety during transportation. Do not remove the spacers until the moving coil is mounted on a machine.
  - 2 If you have a pacemaker or any other electronic medical device, do not go near the magnetic way of the linear servomotor.
  - 3 Two magnetic ways in a set can be connected to each other.
  - 4 The dimensions marked with an \* are the dimensions between the magnetic ways. Be sure to follow exactly the dimensions specified in the figure above. Mount magnetic ways as shown in Assembly Dimensions. The values with a ♣ are the dimensions at preshipment.
  - 5 Use socket headed screws of strength class 10.9 minimum for magnetic way mounting screws. Do not use stainless steel screws.

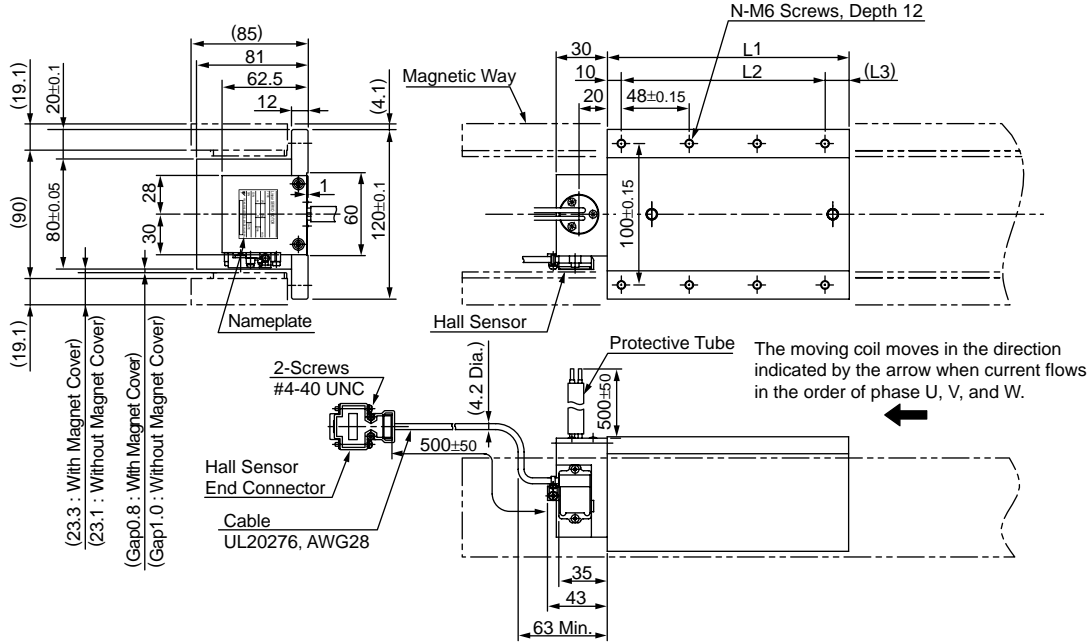
Magnetic Way Model SGLTM-	L1 <sup>-0.1</sup> <sub>-0.3</sub>	L2	N	Approx. Mass kg
35324H□	324	270 (54×5)	6	4.8
35540H□	540	486 (54×9)	10	8
35756H□	756	702 (54×13)	14	11

Linear Servomotors

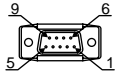
# External Dimensions Units: mm

## (6) High-efficiency Type SGLTW-50

- Moving Coil: SGLTW-50A□□□H□ (With a connector by Tyco Electronics AMP K.K.)



### Hall Sensor Connector Specifications



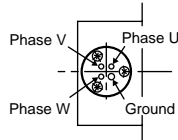
Pin Connector:  
17JE-23090-02 (D8C)  
by DDK Ltd.

The Mating Connector  
Socket Connector:  
17JE-13090-02 (D8C)  
Stud: 17L-002C or  
17L-002C1

Pin No.	Signal
1	+5VDC
2	Phase U
3	Phase V
4	Phase W
5	0V
6	Not used
7	Not used
8	Not used
9	Not used

### Lead Specifications of Moving Coil

- If this cable is bent repetitively, the cable will disconnect.

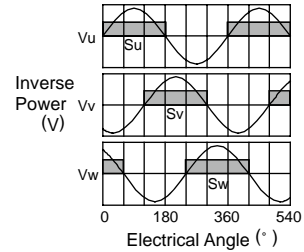


(View from Top of Moving Coil)

Name	Color	Code	Wire Size
Phase U		U	2 mm <sup>2</sup>
Phase V	Black	V	
Phase W		W	
Ground	Green	-	2 mm <sup>2</sup>

### Hall Sensor Output Signals

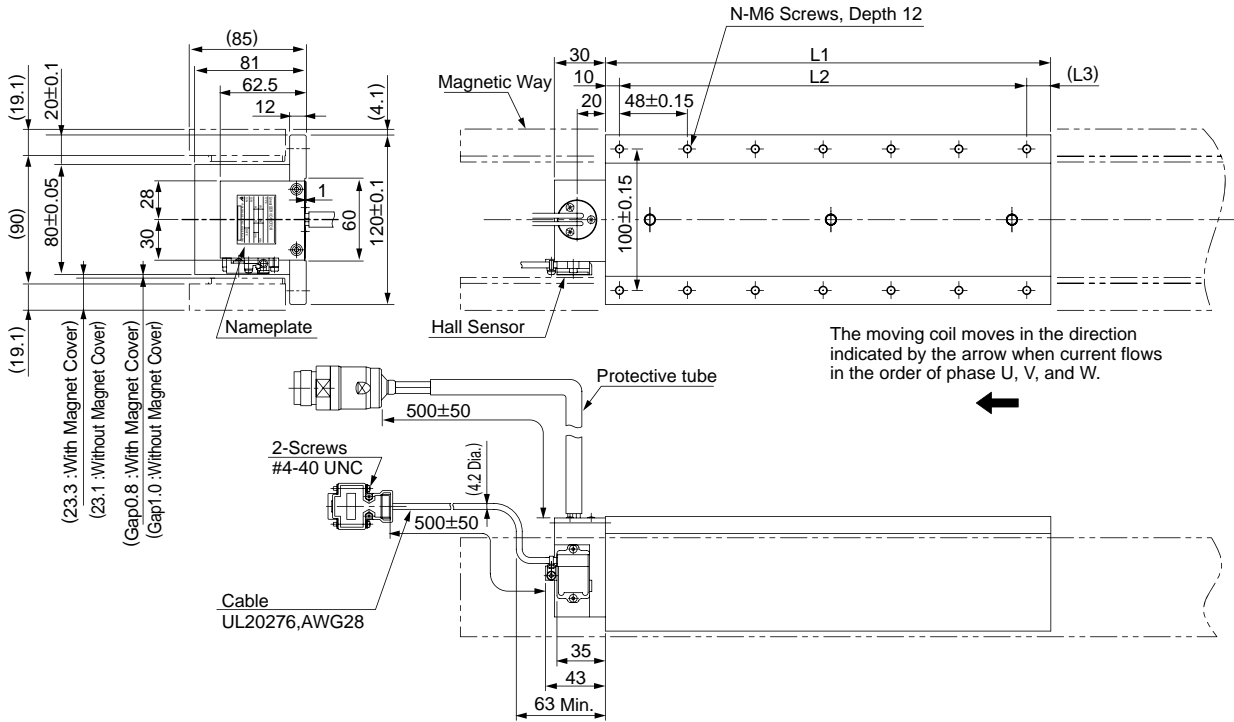
When the moving coil moves in the direction indicated by the arrow in the figure, the relationship between the hall sensor output signals  $S_u$ ,  $S_v$ ,  $S_w$  and the inverse power of each motor phase  $V_u$ ,  $V_v$ ,  $V_w$  becomes as shown in the figure below.



Moving Coil Model SGLTW-	L1	L2	(L3)	N	Approx. Mass kg
50A170H□	170	144 (48×3)	(16)	8	6
50A320□□	315	288 (48×6)	(17)	14	11

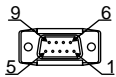
**External Dimensions** Units: mm

- Moving Coil: SGLTW-50D□□□H□D (With a connector by Interconnectron GmbH)



The moving coil moves in the direction indicated by the arrow when current flows in the order of phase U, V, and W.

**Hall Sensor Connector Specifications**



Pin Connector:  
17JE-23090-02 (D8C)  
by DDK Ltd.

**The Mating Connector**

Socket Connector:  
17JE-13090-02 (D8C)  
Stud: 17L-002C or  
17L-002C1

Pin No.	Signal
1	+5VDC
2	Phase U
3	Phase V
4	Phase W
5	0V
6	Not used
7	Not used
8	Not used
9	Not used

**Linear Servomotor Connector Specifications**



Extension : ARRA06AMRPN182  
Pin : 021.279.1020  
by Interconnectron GmbH

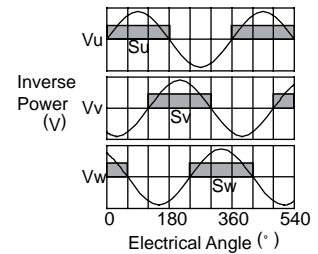
**The Mating Connector**

Plug : APRA06BFRDN170  
Socket : 020.105.1020

Pin No.	Signal
1	Phase U
2	Phase V
4	Phase W
5	Not used
6	Not used
⊕	Ground

**Hall Sensor Output Signals**

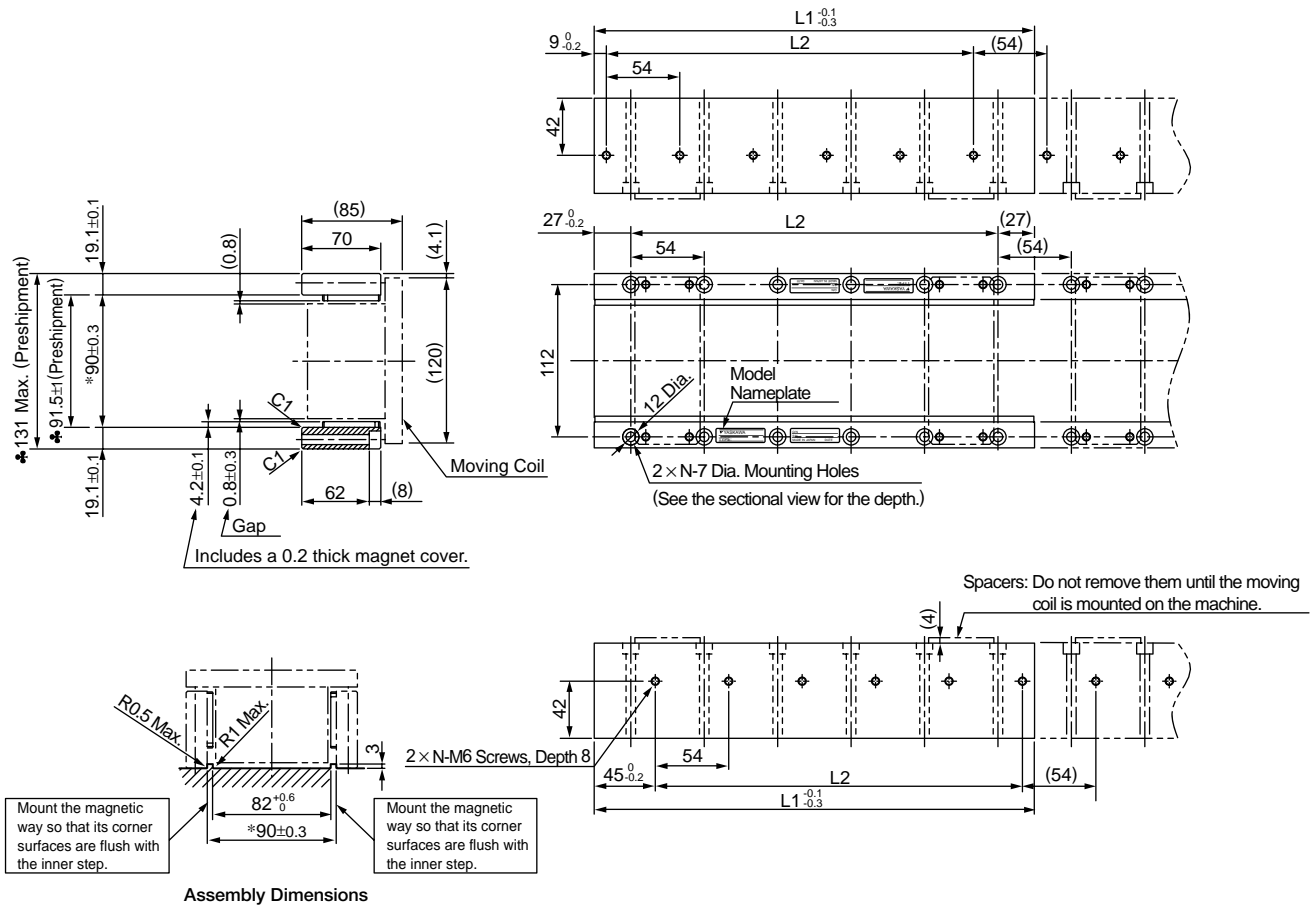
When the moving coil moves in the direction indicated by the arrow in the figure, the relationship between the hall sensor output signals  $S_u$ ,  $S_v$ ,  $S_w$  and the inverse power of each motor phase  $V_u$ ,  $V_v$ ,  $V_w$  becomes as shown in the figure below.



Moving Coil Model SGLTW-	L1	L2	(L3)	N	Approx. Mass kg
50D170H□D	170	144(48x3)	(16)	8	6
50D320H□D	315	288(48x6)	(17)	14	11

## External Dimensions Units: mm

- Magnetic Way: SGLTM-50□□□H□



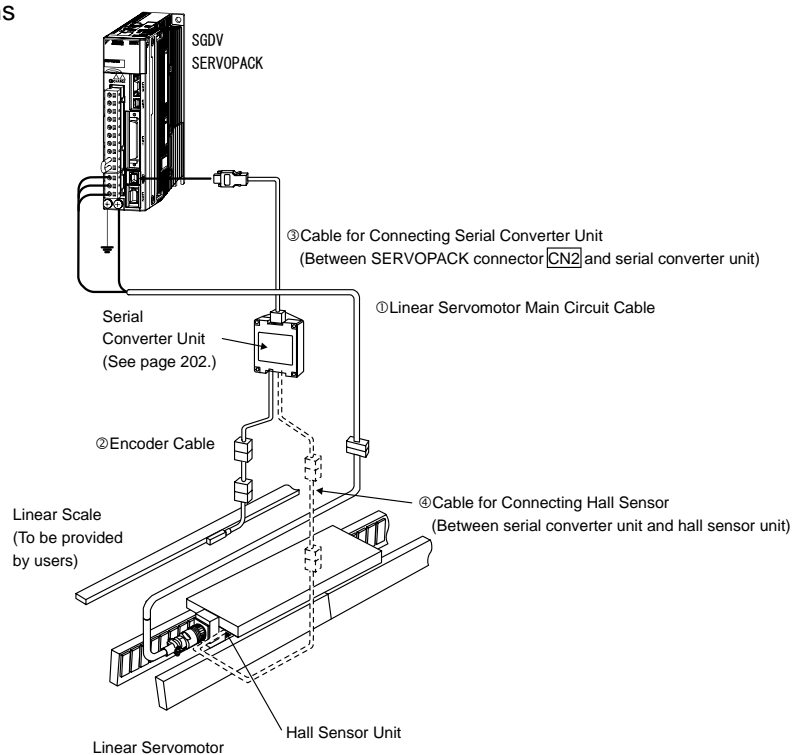
- Notes:
- 1 Two magnetic ways for both ends of moving coil make one set. Spacers are mounted on magnetic ways for safety during transportation. Do not remove the spacers until the moving coil is mounted on a machine.
  - 2 If you have a pacemaker or any other electronic medical device, do not go near the magnetic way of the linear servomotor.
  - 3 Two magnetic ways in a set can be connected to each other.
  - 4 The dimensions marked with an \* are the dimensions between the magnetic ways. Be sure to follow exactly the dimensions specified in the figure above. Mount magnetic ways as shown in Assembly Dimensions. The values with a ♣ are the dimensions at preshipment.
  - 5 Use socket headed screws of strength class 10.9 minimum for magnetic way mounting screws. Do not use stainless steel screws.

Magnetic Way Model SGLTM-	L1 <sup>-0.1</sup> / <sub>-0.3</sub>	L2	N	Approx. Mass kg
50324H□	324	270 (54×5)	6	8
50540H□	540	486 (54×9)	10	13
50756H□	756	702 (54×13)	14	18



Selecting Cables

● Cables Connections



● Cables

Name	Applicable Linear Servomotor Model	Length	Order No.	Specifications	Details
① Linear Servomotor Main Circuit Cables	SGLTW -20, -35, -50	1 m	JZSP-CLN21-01-E		(1)
		3 m	JZSP-CLN21-03-E		
		5 m	JZSP-CLN21-05-E		
		10 m	JZSP-CLN21-10-E		
		15 m	JZSP-CLN21-15-E		
		20 m	JZSP-CLN21-20-E		
	SGLTW-40,-80	1 m	JZSP-CLN39-01-E		(2)
		3 m	JZSP-CLN39-03-E		
		5 m	JZSP-CLN39-05-E		
		10 m	JZSP-CLN39-10-E		
		15 m	JZSP-CLN39-15-E		
		20 m	JZSP-CLN39-20-E		
	SGLTW- □□A□□□□□D	1 m	JZSP-CLN14-01-E		(3)
		3 m	JZSP-CLN14-03-E		
		5 m	JZSP-CLN14-05-E		
		10 m	JZSP-CLN14-10-E		
		15 m	JZSP-CLN14-15-E		
		20 m	JZSP-CLN14-20-E		
	SGLTW- □□D□□□□□D	1 m	JZSP-CLN15-01-E		(4)
		3 m	JZSP-CLN15-03-E		
		5 m	JZSP-CLN15-05-E		
		10 m	JZSP-CLN15-10-E		
		15 m	JZSP-CLN15-15-E		
		20 m	JZSP-CLN15-20-E		

\*1: Connector by Tyco Electronics AMP K.K.

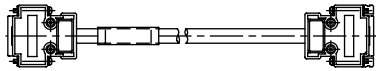
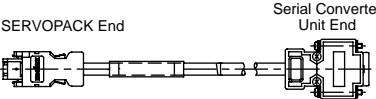

\*2: MS connector

\*3: Connector by Interconnectron GmbH

NOTE: Shaded items are non-stock.

(cont'd)

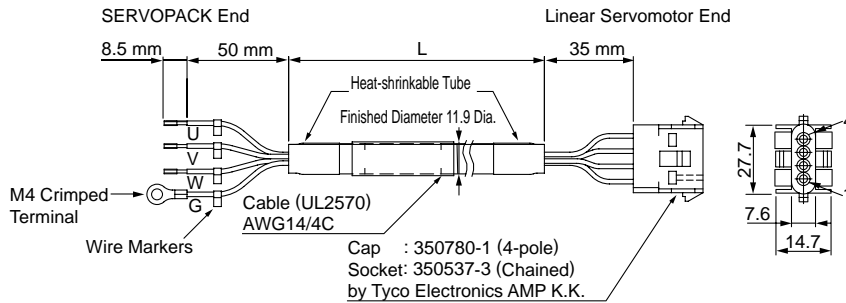
## Selecting Cables

Name	Applicable Linear Servomotor Model	Length	Order No.	Specifications	Details
② Cables for Connecting Linear Scales*	All models	1 m	JZSP-CLL00-01-E		(5)
		3 m	JZSP-CLL00-03-E		
		5 m	JZSP-CLL00-05-E		
		10 m	JZSP-CLL00-10-E		
		15 m	JZSP-CLL00-15-E		
③ Cables for Connecting Serial Converter Units	All models	1 m	JZSP-CLP70-01-E		(6)
		3 m	JZSP-CLP70-03-E		
		5 m	JZSP-CLP70-05-E		
		10 m	JZSP-CLP70-10-E		
		15 m	JZSP-CLP70-15-E		
		20 m	JZSP-CLP70-20-E		
④ Cables for Connecting Hall Sensors	All models	1 m	JZSP-CLL10-01-E		(7)
		3 m	JZSP-CLL10-03-E		
		5 m	JZSP-CLL10-05-E		
		10 m	JZSP-CLL10-10-E		
		15 m	JZSP-CLL10-15-E		

\* When using serial converter unit JZSP-GD00□ - □□□ -E, the maximum cable length is 3 m.

### (1) Linear Servomotor Main Circuit Cables: JZSP-CLN21-□□-E

#### ● Wiring Specifications

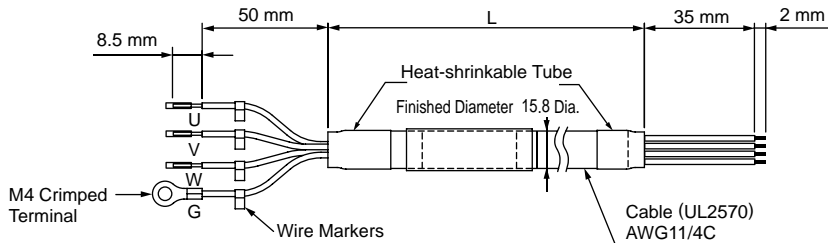


SERVOPACK-end Leads		Linear Servomotor-end Connector	
Wire Color	Signal	Signal	Pin No.
Red	Phase U	Phase U	1
White	Phase V	Phase V	2
Blue	Phase W	Phase W	3
Green/yellow	FG	FG	4

### (2) Linear Servomotor Main Circuit Cables: JZSP-CLN39-□□-E

A connector is not provided on the linear-servomotor end of the main circuit cable (JZSP-CLN39-□□-E). This connector is provided by the customer.

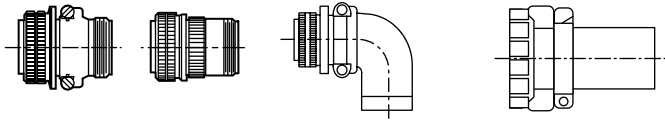
#### ● Wiring Specifications



SERVOPACK-end Leads		Linear Servomotor-end Connector	
Wire Color	Signal	Signal	Pin No.
Red	Phase U	Phase U	1
White	Phase V	Phase V	2
Blue	Phase W	Phase W	3
Green/yellow	FG	FG	4

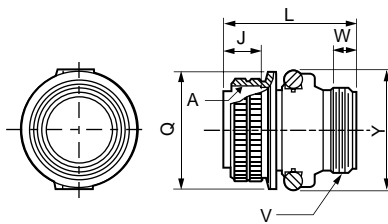
Selecting Cables

● JZSP-CLN39 Cable Connectors



Applicable Linear Servomotor Model	Attached Connector	Plug		Cable Clamp
		Straight	Straight L-shaped	
SGLTW-40, -80	MS3102A22-22P	MS3106B22-22S or MS3106A22-22A	MS3108B22-22S	MS3057-12A

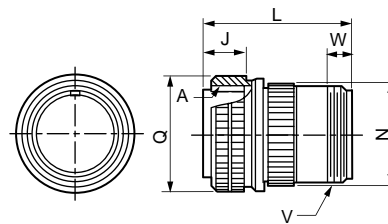
(a) MS3106B: Straight Plug with Front-shell and Back-shell Separated



Units: mm

Shell Size	Joint Screw A	Joint Length J±0.12	Max. Overall Length L	Outer Diameter of Nut Q <sup>+0</sup> <sub>-0.38</sub>	Cable Clamp Mounting Screw V	Min. Effective Screw Length W	Max. Width Y
22	1 3/8 -18UNEF	18.26	55.57	40.48	1 3/16 -18UNEF	9.53	50

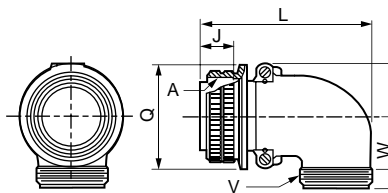
(b) MS3106A: Straight Plug with Solid Shell



Units: mm

Shell Size	Joint Screw A	Joint Length J±0.12	Overall Length L±0.5	Outer Diameter of Nut Q <sup>+0</sup> <sub>-0.38</sub>	Outer Diameter N±0.5	Cable Clamp Mounting Screw V	Min. Effective Screw Length W
22	1 3/8 -18UNEF	18.26	54	40.48	34.99	1 3/16-18UNEF	9.53

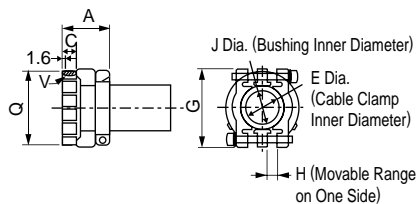
(c) MS3108B: L-shaped Plug with Front-shell and Back-shell Separated



Units: mm

Shell Size	Joint Screw A	Joint Length J±0.12	Max. Overall Length L	R ±0.5	U ±0.5	Outer Diameter of Nut Q <sup>+0</sup> <sub>-0.38</sub>	Cable Clamp Mounting Screw V	Min. Effective Screw Length W
22	1 3/8 -18UNEF	18.26	76.98	24.1	33.3	40.48	1 3/16 -18UNEF	9.53

(d) MS3057-12A: Cable Clamp with Rubber Bushing

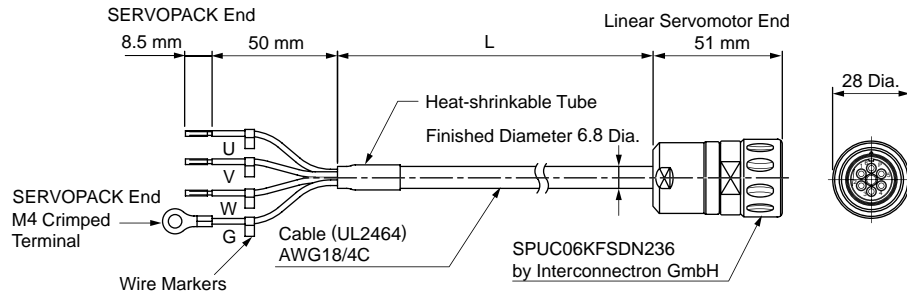


Units: mm

Applicable Shell Size	Overall Length A±0.7	Effective Screw Length C	E	G±0.7	H	J	Mounting Screw V	Outer Diameter Q±0.7	Rubber Bushing Type
20, 22	23.8	10.3	19.0	37.3	4.0	15.9	1 3/16 -18UNEF	35.0	AN3420 -12

## Selecting Cables

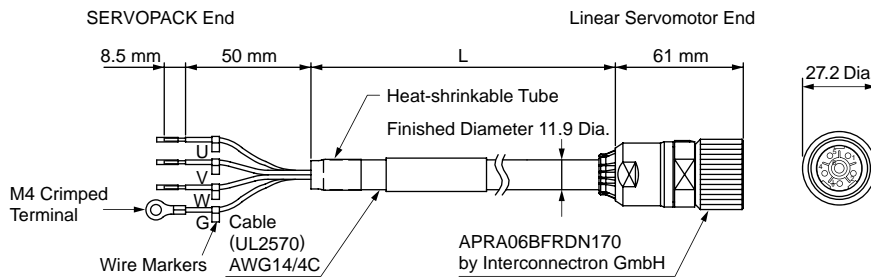
### (3) Linear Servomotor Main Circuit Cables: JZSP-CLN14-□□-E



#### • Wiring Specifications

SERVOPACK-end Leads		Linear Servomotor-end Connector	
Wire Color	Signal	Signal	Pin No.
Black (White 1)	Phase U	Phase U	1
Black (White 2)	Phase V	Phase V	2
Black (White 3)	Phase W	Phase W	3
Green / yellow	FG	—	4
		—	5
		FG	6

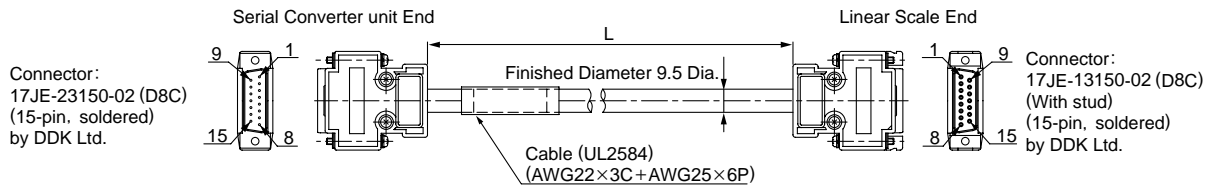
### (4) Linear Servomotor Main Circuit Cables: JZSP-CLN15-□□-E



#### • Wiring Specifications

SERVOPACK-end Leads		Linear Servomotor-end Connector	
Wire Color	Signal	Signal	Pin No.
Red	Phase U	Phase U	1
White	Phase V	Phase V	2
Black	Phase W	FG	3
Green / yellow	FG	Phase W	4
		—	5
		—	6

### (2) Cables for Connecting Linear Scales: JZSP-CLL00-□□-E

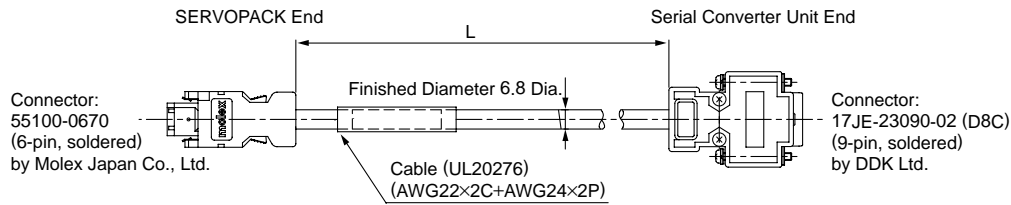


#### • Wiring Specifications

Serial Converter Unit End		Linear Scale End	
Pin No.	Signal	Pin No.	Signal
1	/Cos(V1-)	1	/Cos(V1-)
2	/Sin(V2-)	2	/Sin(V2-)
3	Ref(V0+)	3	Ref(V0+)
4	+5V	4	+5V
5	5Vs	5	5Vs
6	BID	6	BID
7	Vx	7	Vx
8	Vq	8	Vq
9	Cos(V1+)	9	Cos(V1+)
10	Sin(V2+)	10	Sin(V2+)
11	/Ref(V0+)	11	/Ref(V0-)
12	0V	12	0V
13	0Vs	13	0Vs
14	DIR	14	DIR
15	Inner	15	Inner
Case	Shield	Case	Shield

Selecting Cables

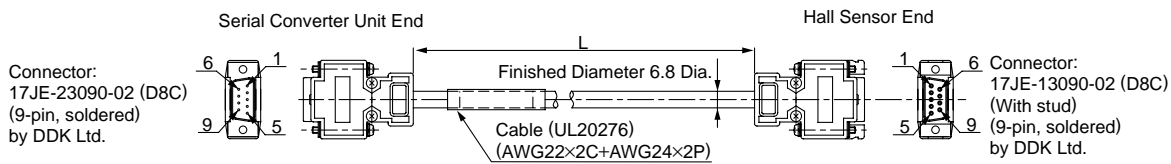
(6) Cables for Connecting Serial Converter Units: JZSP-CLP70-□□-E



• Wiring Specifications

SERVOPACK End			Serial Converter Unit End		
Pin No.	Signal	Wire Color	Pin No.	Signal	Wire Color
1	PG5V	Red	1	+5V	Red
2	PG0V	Black	5	0V	Black
3	-	-	3	-	-
4	-	-	4	-	-
5	PS	Light blue	2	Phase S output	Light blue
6	/PS	Light blue/white	6	Phase /S output	Light blue/white
Shell	Shield	-	Case	Shield	-
			7	-	-
			8	-	-
			9	-	-

(7) Cables for Connecting Hall Sensors: JZSP-CLL10-□□-E



• Wiring Specifications

Serial Converter Unit End		Hall Sensor End	
Pin No.	Signal	Pin No.	Signal
1	+5V	1	+5V
2	Phase U input	2	Phase U input
3	Phase V input	3	Phase V input
4	Phase W input	4	Phase W input
5	0V	5	0V
6	-	6	-
7	-	7	-
8	-	8	-
9	-	9	-
Case	Shield	Case	Shield

# Linear Servomotors

# SGLC

(Cylinder Type)



## Model Designations

- Combination of Moving Coil and Magnetic Way  
(Global Support - Refer to Stock Status Definitions - page viii)

**SGL C - D16 A 085 A P - 750 A**

Linear  $\Sigma$  Series Linear Servomotor

Servomotor Model

Code	Specifications
C	Cylinder type

Outer Diameter of Magnetic Way  
D16 : 16 mm  
D20 : 20 mm  
D25 : 25 mm  
D32 : 32 mm

Voltage  
A : 200 VAC

Hall Sensor  
P : With hall sensor (all models)

Design Revision Order of Moving Coil  
A, B...

Length of Moving Coil

Design Revision Order of Magnetic Way  
A, B...

Length of Magnetic Way  
(See the next page)

Outer Diameter of Magnetic Way Code	Length of Moving Coil Code	Length of Moving Coil mm	Outer Diameter of Magnetic Way Code	Length of Moving Coil Code	Length of Moving Coil mm
D16	085	85	D25	125	125
	115	115		170	170
	145	145		215	215
D20	100	100	D32	165	165
	135	135		225	225
	170	170		285	285

- Moving Coil

**SGL C W - D16 A 085 A P**

Linear  $\Sigma$  Series Linear Servomotor

Servomotor Model

Code	Specifications
C	Cylinder type

W : Moving Coil

Outer Diameter of Magnetic Way  
D16 : 16 mm  
D20 : 20 mm  
D25 : 25 mm  
D32 : 32 mm

Hall Sensor  
P : With hall sensor (all models)

Design Revision Order  
A, B...

Length of Moving Coil  
(See above table)

Voltage  
A : 200 VAC

- Magnetic Way

**SGL C M - D16 300 A**

Linear  $\Sigma$  Series Linear Servomotor

Servomotor Model

Code	Specifications
C	Cylinder type

M : Magnetic Way\*

Design Revision Order  
A, B...

Length of Magnetic Way  
(See the next page)

Outer Diameter of Magnetic Way  
D16 : 16 mm  
D20 : 20 mm  
D25 : 25 mm  
D32 : 32 mm

\* Note: Order the moving coil and magnetic way as a set. Contact your Yaskawa representative before ordering them separately.

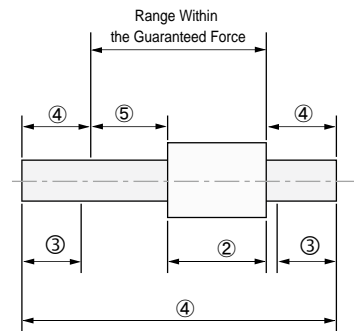
- Both coil assemblies supported, easy switching from ball screws.
- Compared to ball screw systems, high-speed and high-precision positioning greatly reduces tact time.
- Unlike ball screws, no contact with machines, no lubrication oil, easy maintenance.

- Semiconductor equipment
- Electronic parts assembly
- Food packaging machines
- Metal processing machines
- General handling machines

## ◆ Magnetic Way Lengths (Global Support - Refer to Stock Status Definitions - page viii)

Moving Coil Model SGLCW-		Magnetic Way Dimensions mm					Special Orders Length of Magnetic Way mm Min. to Max.
		Standard Specifications				Code = ① mm	
		②	③	④	⑤		
D16A	085AP 115AP 145AP	300	85	30	37.5	140	240 to 420 (30 mm increments)
			115			110	
			145			80	
	510	85	45	52.5	320	480 to 750 (30 mm increments)	
		115			290		
		145			260		
		85			560		
		115			530		
		145			500		
D20A	100AP 135AP 170AP	350	100	35	45	160	280 to 490 (35 mm increments)
			135			125	
			170			90	
	590	100	50	60	370	555 to 870 (35 mm increments)	
		135			335		
		170			300		
		100			650		
		135			615		
		170			580		
D25A	125AP 170AP 215AP	450	125	45	57.5	210	360 to 630 (45 mm increments)
			170			165	
			215			120	
	750	125	60	72.5	480	705 to 1110 (45 mm increments)	
		170			435		
		215			390		
		125			840		
		170			795		
		215			750		
D32A	165AP 225AP 285AP	600	165	60	75	285	480 to 840 (60 mm increments)
			225			225	
			285			165	
	1020	165	90	105	645	960 to 1500 (60 mm increments)	
		225			585		
		285			525		
		165			1125		
		225			1065		
		285			1005		

- ① Length of Magnetic Way
- ② Length of Moving Coil
- ③ Position of Support Section
- ④ Range Outside the Guaranteed Force
- ⑤ Effective Strokes



Note: ④Range outside the guaranteed force:  
If any part of the moving coil is located within this range, characteristics indicated in Force and Speed Characteristics on page 190 cannot be satisfied.

< Calculating Length of Magnetic Way >

② Length of Moving Coil (mm)

④ Range Outside the Guaranteed Force (mm)

⑤ Effective Strokes (mm)



◆ Length of Magnetic Way

【② + ④ × 2 + ⑤】 (mm)

## Ratings and Specifications

Time Rating: Continuous  
 Insulation Resistance: 500 VDC, 10 M $\Omega$  min.  
 Ambient Temperature: 0 to 40°C  
 Excitation: Permanent magnet

Withstand Voltage: 1500 VAC for one minute  
 Enclosure: Self-cooled  
 Ambient Humidity: 20% to 80% (no condensation)  
 Allowable Winding Temperature: 130°C (Thermal class B)

Linear Servomotor Model SGLC-		D16A			D20A			D25A			D32A		
		085A	115A	145A	100A	135A	170A	125A	170A	215A	165A	225A	285A
Peak Speed <sup>*3</sup>	m / s	4.0	4.0	4.0	4.0	4.0	4.0	4.0	4.0	4.0	4.0	4.0	4.0
Rated Force <sup>*1</sup>	N	17	25	34	30	45	60	70	105	140	90	135	180
Rated Current <sup>*1</sup>	A <sub>rms</sub>	0.59	0.53	0.66	0.98	0.98	1.19	1.42	1.75	3.49	1.57	2.79	2.79
Instantaneous Peak Force <sup>*1</sup>	N	60	90	120	150	225	300	280	420	560	420	630	840
Instantaneous Peak Current <sup>*1</sup>	A <sub>rms</sub>	2.07	2.07	2.52	4.90	4.90	5.95	5.68	6.98	12.96	7.32	13.01	13.01
Moving Coil Mass	kg	0.3	0.4	0.5	0.6	0.8	1.0	1.0	1.4	1.8	1.8	2.5	3.2
Force Constant	N / A <sub>rms</sub>	31.2	46.8	51.3	33.0	49.5	54.3	53.1	64.8	43.2	61.8	52.2	69.6
BEMF Constant	V/(m/s)	10.4	15.6	17.1	11.0	16.5	18.1	17.7	21.6	14.4	20.6	17.4	23.2
Motor Constant	N/ $\sqrt{W}$	4.8	5.9	6.7	7.5	9.2	10.4	10.0	12.4	15.4	16.2	20.0	23.0
Electrical Time Constant	ms	0.18	0.18	0.17	0.38	0.32	0.41	0.18	0.59	0.65	0.76	1.18	1.58
Mechanical Time Constant	ms	13.1	11.7	11.3	10.70	9.50	9.30	10.1	9.2	7.6	6.9	6.3	6.0
Thermal Resistance With Heat Sink	K / W	3.35	2.9	1.64	1.66	1.45	1.29	1.00	0.68	0.61	0.77	0.53	0.49
Thermal Resistance Without Heat Sink	K / W	6.79	5.24	4.26	4.35	3.38	2.76	2.99	2.29	1.81	1.87	1.43	1.16
Magnetic Attraction <sup>*2</sup>	N	0	0	0	0	0	0	0	0	0	0	0	0
Applicable SERVOPACK	SGDV-	R70A	R70A	R90A	1R6A	1R6A	2R8A	1R6A	2R8A	5R5A	2R8A	5R5A	5R5A

\*1: These items and "Force and Speed Characteristics" are the values at a motor winding temperature of 100°C during operation in combination with a SERVOPACK. The others are at 20°C.

\*2: Logical magnetic attraction acting between the moving coil and the magnetic way. Because of the gap imbalance created after installing the moving coil and the magnetic way, a magnetic attraction is generated.

\*3: The rated speed during operation by speed control with an analog voltage reference must be set to 1.5 m/s.

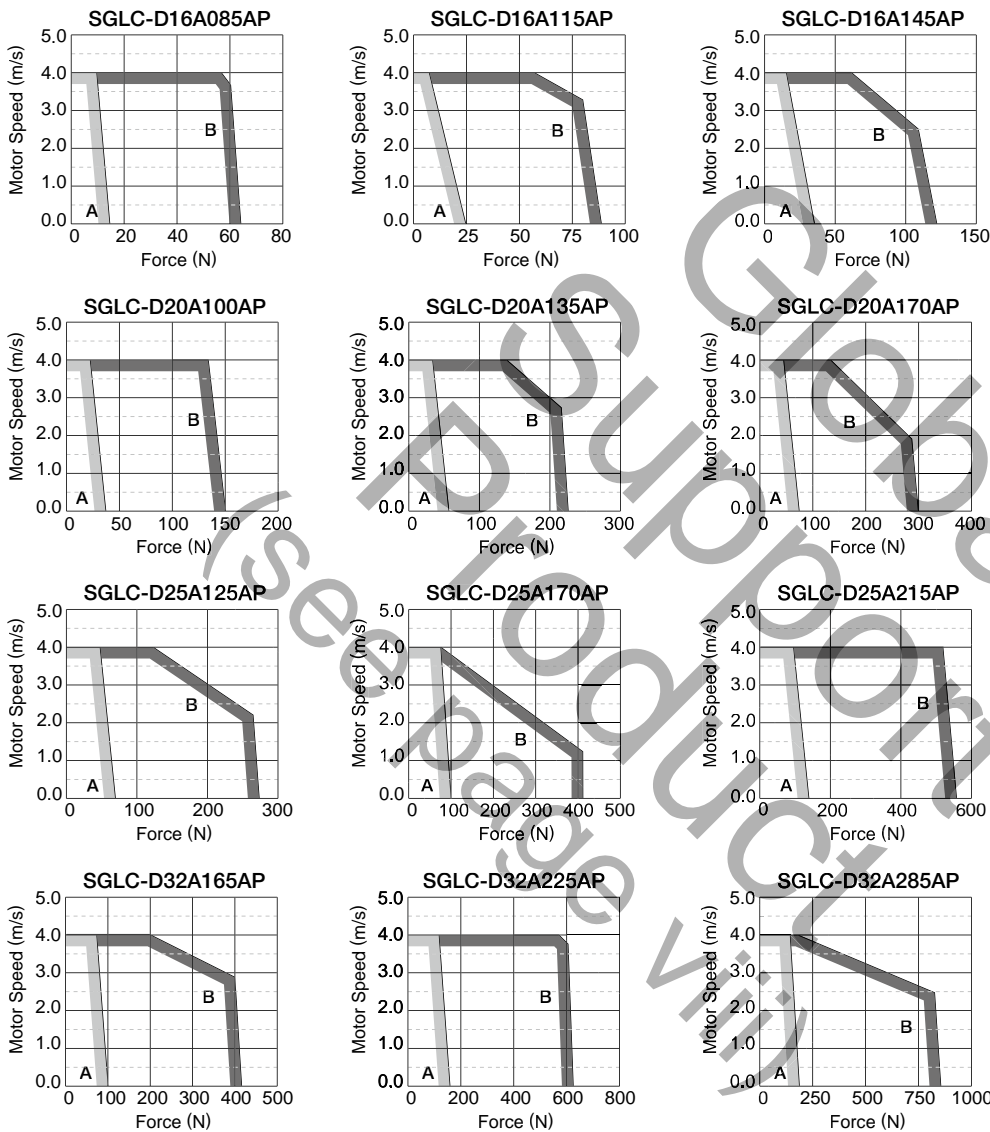
Note: These specifications show the values under the cooling conditions when a heat sink (aluminum board) listed in the following table is mounted on the moving coil.

Linear Servomotor Model SGLC-	Heat Sink Size mm
D16A085A D16A115A	100×200×12
D16A145A D20A100A D20A135A D20A170A	200×300×12
D25A125A D32A165A	300×400×12
D25A170A D25A215A D32A225A D32A285A	400×500×12



Ratings and Specifications

● Force and Speed Characteristics A: Continuous Duty Zone B: Intermittent Duty Zone (Note)



Note: When the effective force during intermittent duty is within the rated force, the servomotor can be used within the intermittent duty zone.

● Mechanical Specifications of Linear Servomotors

(1) Impact Resistance

- Impact acceleration: 98 m/s<sup>2</sup>
- Impact occurrences: twice

(2) Vibration Resistance

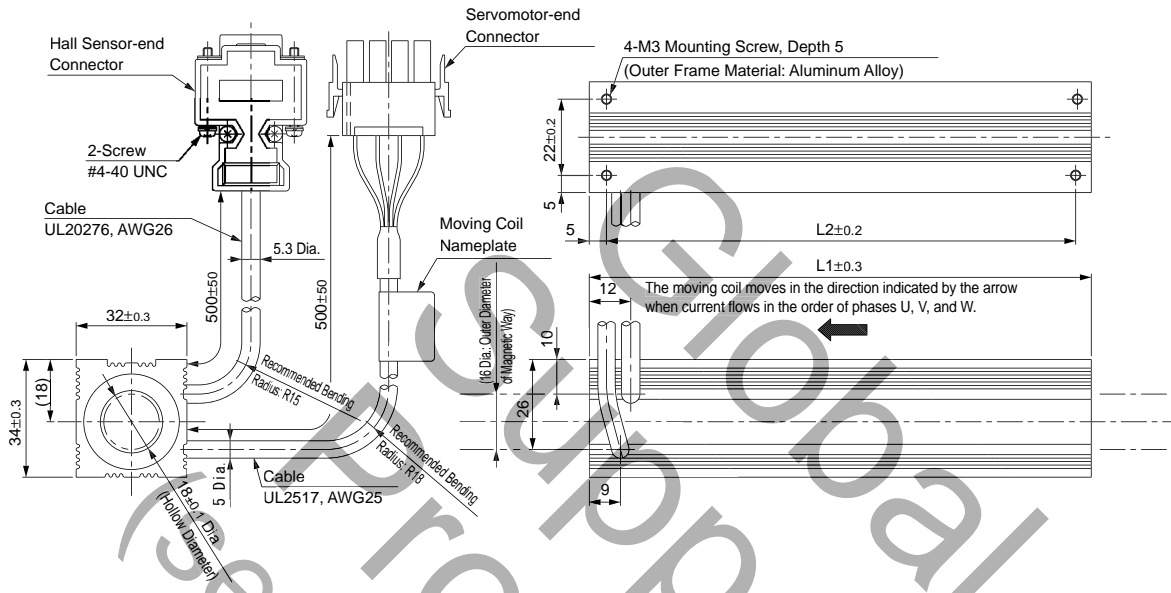
The linear servomotors will withstand the following vibration acceleration in three directions: Vertical, side to side, and front to back.

- Vibration acceleration: Moving Coil: 24.5 m/s<sup>2</sup>  
 Magnetic Way: 24.5 m/s<sup>2</sup> in axis direction  
 4.9 m/s<sup>2</sup> in vertically and horizontally

## External Dimensions Units: mm

### (1) SGLC-D16

- Moving Coil: SGLCW-D16A□□□AP (With a connector by Tyco Electronics AMP K.K.)



#### Hall Sensor Connector Specifications



Pin Connector:  
17JE-23090-02 (D8C)  
by DDK Ltd.

#### The Mating Connector

Socket Connector:  
17JE-13090-02 (D8C)  
Stud: 17L-002C or  
17L-002C1

Pin No.	Name
1	+5V (Power supply)
2	Phase U
3	Phase V
4	Phase W
5	0V (Power supply)
6	Not used
7	Not used
8	Not used
9	Not used

#### Linear Servomotor Connector Specifications



Plug: 350779-1  
Pin : 350690-3 or  
350561-3 (No.1 to 3)  
770210-1 (No.4)

by Tyco  
Electronics AMP K.K.  
The Mating Connector

Cap: 350780-1  
Socket: 350925-1 or  
770673-1

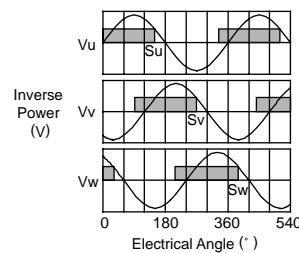
Pin No.	Name	Wire Color
1	Phase U	Red
2	Phase V	White
3	Phase W	Blue
4	FG	Green

Moving Coil Model SGLCW-	L1	L2	Approx. Mass* kg
D16A085AP	85	75	0.3
D16A115AP	115	105	0.4
D16A145AP	145	135	0.5

\*: The values indicate the mass of moving coil with a hall sensor unit.

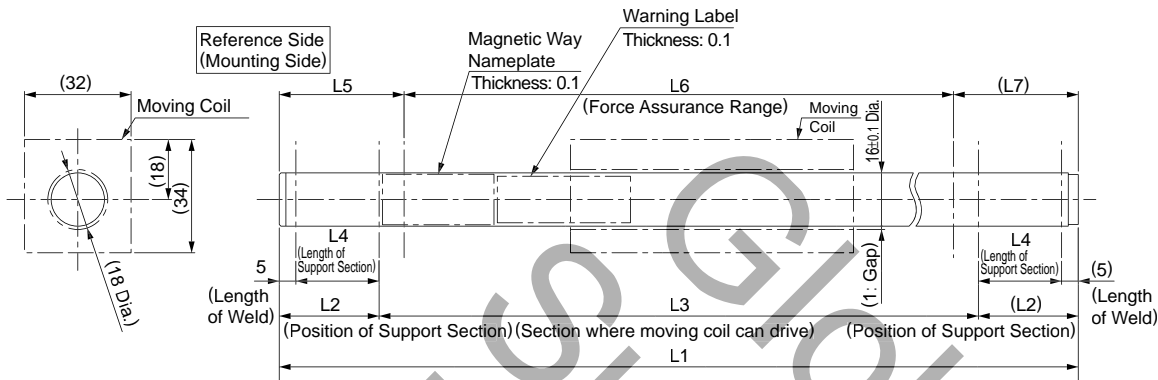
#### Hall Sensor Output Signals

When the moving coil moves in the direction indicated by the arrow in the figure, the relationship between the hall sensor output signals  $S_u$ ,  $S_v$ ,  $S_w$  and the inverse power of each motor phase  $V_u$ ,  $V_v$ ,  $V_w$  becomes as shown in the figure below.



**External Dimensions** Units: mm

● Magnetic Way: SGLCM-D16□□□A



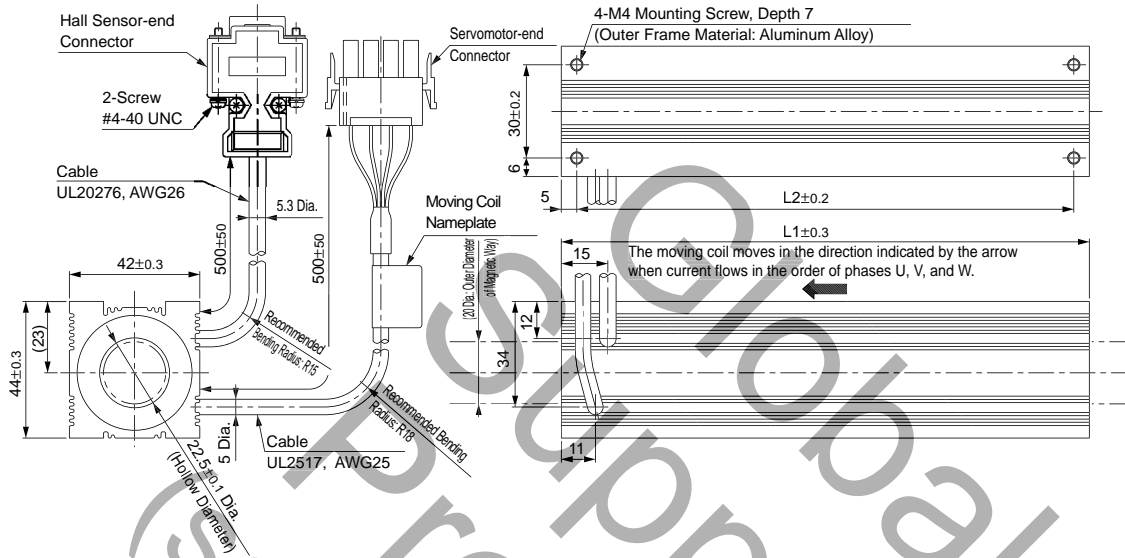
- Notes: 1 The magnetic way will become deformed if a magnetic attraction with the moving coil is generated. Take measures over the entire driving range to prevent any interference between the magnetic way and the moving coil after installation.  
 2 If you have a pacemaker or any other electronic medical device, do not go near the magnetic way of the linear servomotor.

Magnetic Way Model SGLCM-	L1	L2	L3	L4	L5	L6	L7	Approx. Mass kg	Remarks
D16240A	240±1.6	30	180	25	37.5±0.3	165±1.2	37.5	0.38	-
D16270A	270±1.6	30	210	25	37.5±0.3	195±1.2	37.5	0.43	-
D16300A	300±1.6	30	240	25	37.5±0.3	225±1.2	37.5	0.48	Standard
D16330A	330±1.6	30	270	25	37.5±0.3	255±1.2	37.5	0.53	-
D16360A	360±1.6	30	300	25	37.5±0.3	285±1.2	37.5	0.58	-
D16390A	390±1.6	30	330	25	37.5±0.3	315±1.2	37.5	0.63	-
D16420A	420±1.6	30	360	25	37.5±0.3	345±1.2	37.5	0.68	-
D16480A	480±2.5	45	390	40	52.5±0.3	375±2.1	52.5	0.75	-
D16510A	510±2.5	45	420	40	52.5±0.3	405±2.1	52.5	0.80	Standard
D16540A	540±2.5	45	450	40	52.5±0.3	435±2.1	52.5	0.85	-
D16570A	570±2.5	45	480	40	52.5±0.3	465±2.1	52.5	0.90	-
D16600A	600±2.5	45	510	40	52.5±0.3	495±2.1	52.5	0.95	-
D16630A	630±2.5	45	540	40	52.5±0.3	525±2.1	52.5	1.0	-
D16660A	660±2.5	45	570	40	52.5±0.3	555±2.1	52.5	1.05	-
D16690A	690±2.5	45	600	40	52.5±0.3	585±2.1	52.5	1.1	-
D16720A	720±2.5	45	630	40	52.5±0.3	615±2.1	52.5	1.15	-
D16750A	750±3	45	660	40	52.5±0.3	645±2.5	52.5	1.2	Standard

## External Dimensions Units: mm

### (2) SGLC-D20

- Moving Coil: SGLCW-D20A□□□AP (With a connector by Tyco Electronics AMP K.K.)



#### Hall Sensor Connector Specifications



Pin Connector:  
17JE-23090-02 (D8C)  
by DDK Ltd.

#### The Mating Connector

Socket Connector:  
17JE-13090-02 (D8C)  
Stud: 17L-002C or  
17L-002C1

Pin No.	Name
1	+5V (Power supply)
2	Phase U
3	Phase V
4	Phase W
5	0V (Power supply)
6	Not used
7	Not used
8	Not used
9	Not used

#### Linear Servomotor Connector Specifications



Plug: 350779-1  
Pin : 350690-3 or  
350561-3 (No.1 to 3)  
770210-1 (No.4)

by Tyco  
Electronics AMP K.K.  
The Mating Connector

Cap: 350780-1  
Socket: 350925-1 or  
770673-1

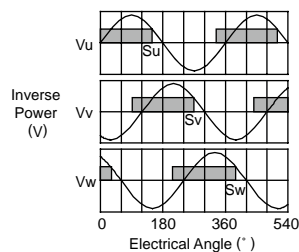
Pin No.	Name	Wire Color
1	Phase U	Red
2	Phase V	White
3	Phase W	Blue
4	FG	Green

Moving Coil Model SGLCW-	L1	L2	Approx. Mass* kg
D20A100AP	100	90	0.6
D20A135AP	135	125	0.8
D20A170AP	170	160	1.0

\*: The values indicate the mass of moving coil with a hall sensor unit.

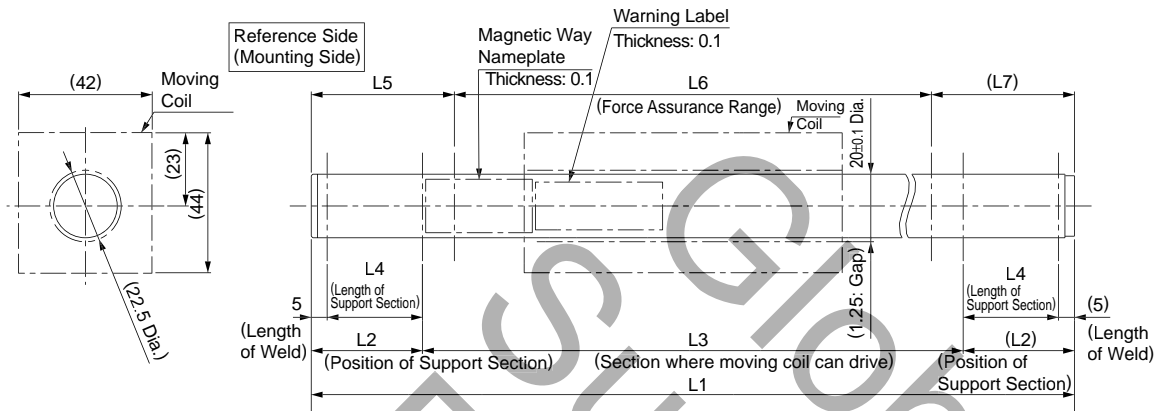
#### Hall Sensor Output Signals

When the moving coil moves in the direction indicated by the arrow in the figure, the relationship between the hall sensor output signals  $S_u$ ,  $S_v$ ,  $S_w$  and the inverse power of each motor phase  $V_u$ ,  $V_v$ ,  $V_w$  becomes as shown in the figure below.



**External Dimensions** Units: mm

● Magnetic Way: SGLCM-D20□□□A



- Notes: 1 The magnetic way will become deformed if a magnetic attraction with the moving coil is generated.  
 Take measures over the entire driving range to prevent any interference between the magnetic way and the moving coil after installation.  
 2 If you have a pacemaker or any other electronic medical device, do not go near the magnetic way of the linear servomotor.

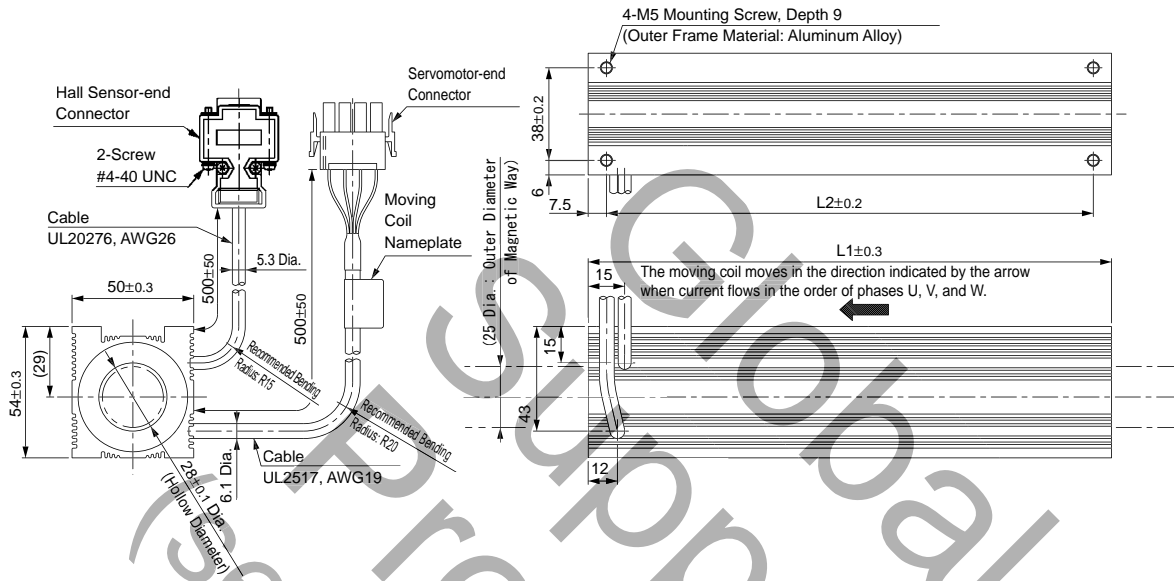
Magnetic Way Model SGLCM-	L1	L2	L3	L4	L5	L6	L7	Approx. Mass kg	Remarks
D20280A	280 $\pm$ 1.6	35	210	30	45 $\pm$ 0.3	190 $\pm$ 1.2	45	0.68	-
D20315A	315 $\pm$ 1.6	35	245	30	45 $\pm$ 0.3	225 $\pm$ 1.2	45	0.77	-
D20350A	350 $\pm$ 1.6	35	280	30	45 $\pm$ 0.3	260 $\pm$ 1.2	45	0.86	Standard
D20385A	385 $\pm$ 1.6	35	315	30	45 $\pm$ 0.3	295 $\pm$ 1.2	45	0.95	-
D20420A	420 $\pm$ 1.6	35	350	30	45 $\pm$ 0.3	330 $\pm$ 1.2	45	1.0	-
D20455A	455 $\pm$ 1.6	35	385	30	45 $\pm$ 0.3	365 $\pm$ 1.2	45	1.1	-
D20490A	490 $\pm$ 1.6	35	420	30	45 $\pm$ 0.3	400 $\pm$ 1.2	45	1.2	-
D20555A	555 $\pm$ 2.5	50	455	45	60 $\pm$ 0.3	435 $\pm$ 2.1	60	1.35	-
D20590A	590 $\pm$ 2.5	50	490	45	60 $\pm$ 0.3	470 $\pm$ 2.1	60	1.45	Standard
D20625A	625 $\pm$ 2.5	50	525	45	60 $\pm$ 0.3	505 $\pm$ 2.1	60	1.55	-
D20660A	660 $\pm$ 2.5	50	560	45	60 $\pm$ 0.3	540 $\pm$ 2.1	60	1.6	-
D20695A	695 $\pm$ 2.5	50	595	45	60 $\pm$ 0.3	575 $\pm$ 2.1	60	1.7	-
D20730A	730 $\pm$ 2.5	50	630	45	60 $\pm$ 0.3	610 $\pm$ 2.1	60	1.8	-
D20765A	765 $\pm$ 2.5	50	665	45	60 $\pm$ 0.3	645 $\pm$ 2.1	60	1.9	-
D20800A	800 $\pm$ 2.5	50	700	45	60 $\pm$ 0.3	680 $\pm$ 2.1	60	2.0	-
D20835A	835 $\pm$ 2.5	50	735	45	60 $\pm$ 0.3	715 $\pm$ 2.1	60	2.1	-
D20870A	870 $\pm$ 3	50	770	45	60 $\pm$ 0.3	750 $\pm$ 2.5	60	2.2	Standard

Linear Servomotors

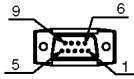
## External Dimensions Units: mm

### (3) SGLC-D25

- Moving Coil: SGLCW-D25A□□□AP (With a connector by Tyco Electronics AMP K.K.)



#### Hall Sensor Connector Specifications



Pin Connector:  
17JE-23090-02 (D8C)  
by DDK Ltd.

The Mating Connector

Socket connector:  
17JE-13090-02 (D8C)  
Stud: 17L-002C or  
17L-002C1

Pin No.	Name
1	+5V (Power supply)
2	Phase U
3	Phase V
4	Phase W
5	0V (Power supply)
6	Not used
7	Not used
8	Not used
9	Not used

#### Linear Servomotor Connector Specifications



Plug: 350779-1  
Pin: (No. 1 to 3)  
350561-3 or 350690-3  
(No. 4)  
350654-1 or 350669-1  
by Tyco Electronics AMP K.K.

The Mating Connector

Cap : 350780-1  
Socket: 350925-1 or  
770673-1

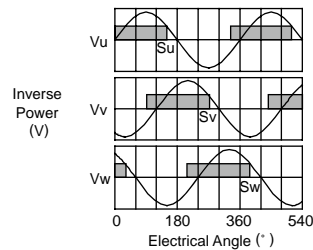
Pin No.	Name	Wire Color
1	Phase U	Red
2	Phase V	White
3	Phase W	Blue
4	FG	Green

Moving Coil Model SGLCW-	L1	L2	Approx. Mass* kg
D25A125AP	125	110	1.0
D25A170AP	170	153	1.4
D25A215AP	215	200	1.8

\*: The values indicate the mass of moving coil with a hall sensor unit.

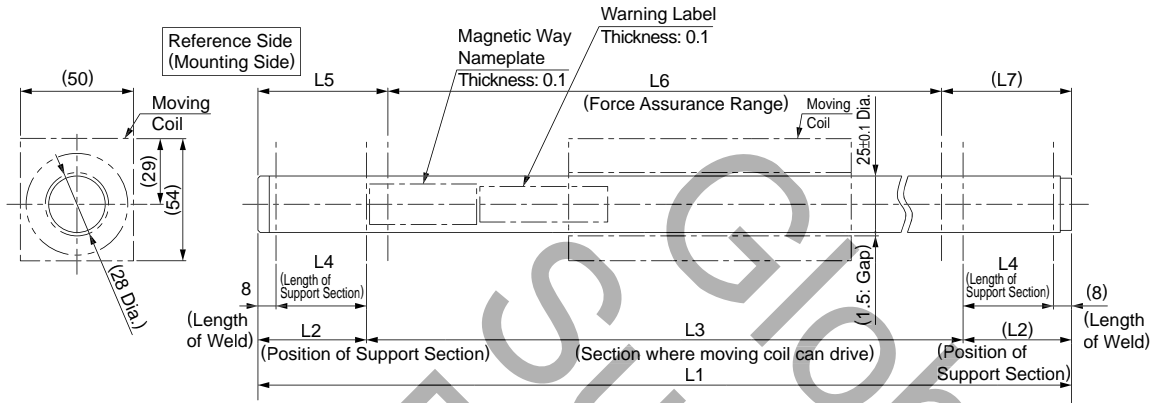
#### Hall Sensor Output Signals

When the moving coil moves in the direction indicated by the arrow in the figure, the relationship between the hall sensor output signals  $S_u$ ,  $S_v$ ,  $S_w$  and the inverse power of each motor phase  $V_u$ ,  $V_v$ ,  $V_w$  becomes as shown in the figure below.



**External Dimensions** Units: mm

● Magnetic Way: SGLCM-D25□□□A



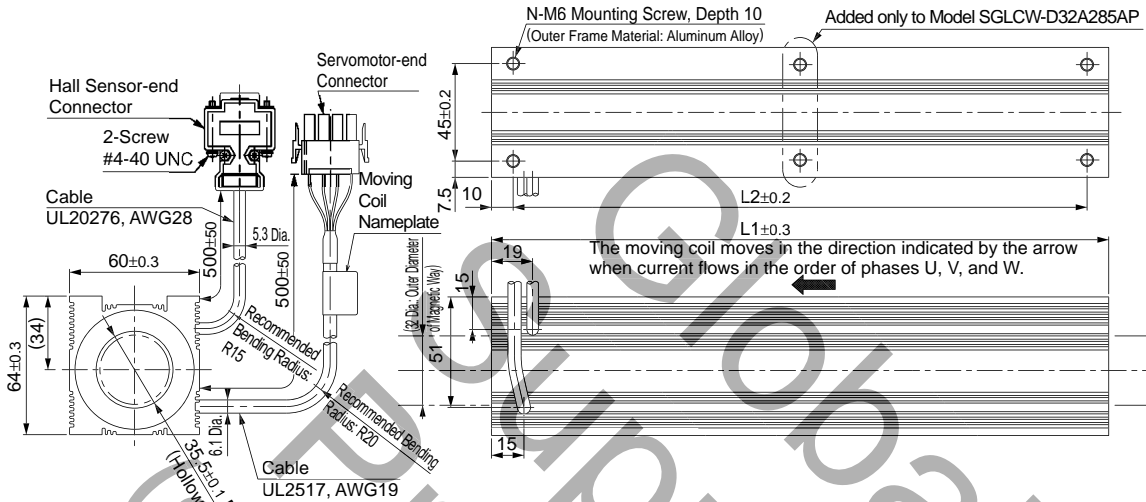
- Notes: 1 The magnetic way will become deformed if a magnetic attraction with the moving coil is generated.  
 Take measures over the entire driving range to prevent any interference between the magnetic way and the moving coil after installation.  
 2 If you have a pacemaker or any other electronic medical device, do not go near the magnetic way of the linear servomotor.

Magnetic Way Model SGLCM-	L1	L2	L3	L4	L5	L6	L7	Approx. Mass kg	Remarks
D25360A	360±1.6	45	270	37	57.5±0.3	245±1.2	57.5	1.5	-
D25405A	405±1.6	45	315	37	57.5±0.3	290±1.2	57.5	1.65	-
D25450A	450±1.6	45	360	37	57.5±0.3	335±1.2	57.5	1.8	Standard
D25495A	495±1.6	45	405	37	57.5±0.3	380±1.2	57.5	1.95	-
D25540A	540±1.6	45	450	37	57.5±0.3	425±1.2	57.5	2.1	-
D25585A	585±1.6	45	495	37	57.5±0.3	470±1.2	57.5	2.25	-
D25630A	630±1.6	45	540	37	57.5±0.3	515±1.2	57.5	2.4	-
D25705A	705±2.5	60	585	52	72.5±0.3	560±2.1	72.5	2.85	-
D25750A	750±2.5	60	630	52	72.5±0.3	605±2.1	72.5	3.0	Standard
D25795A	795±2.5	60	675	52	72.5±0.3	650±2.1	72.5	3.15	-
D25840A	840±2.5	60	720	52	72.5±0.3	695±2.1	72.5	3.3	-
D25885A	885±2.5	60	765	52	72.5±0.3	740±2.1	72.5	3.45	-
D25930A	930±2.5	60	810	52	72.5±0.3	785±2.1	72.5	3.6	-
D25975A	975±2.5	60	855	52	72.5±0.3	830±2.1	72.5	3.75	-
D251020A	1020±2.5	60	900	52	72.5±0.3	875±2.1	72.5	3.9	-
D251065A	1065±2.5	60	945	52	72.5±0.3	920±2.1	72.5	4.05	-
D251110A	1110±3	60	990	52	72.5±0.3	965±2.5	72.5	4.2	Standard

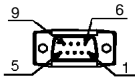
**External Dimensions** Units: mm

**(4) SGLC-D32**

- Moving Coil: SGLCW-D32A□□□AP (With a connector by Tyco Electronics AMP K.K.)



**Hall Sensor Connector Specifications**



Pin Connector:  
17JE-23090-02 (D8C)  
by DDK Ltd.

The Mating Connector

Socket connector:  
17JE-13090-02 (D8C)  
Stud: 17L-002C or  
17L-002C1

Pin No.	Name
1	+5V (Power supply)
2	Phase U
3	Phase V
4	Phase W
5	0V (Power supply)
6	Not used
7	Not used
8	Not used
9	Not used

**Linear Servomotor Connector Specifications**



Plug: 350779-1  
Pin: (No. 1 to 3)  
350561-3 or 350690-3  
(No. 4)  
350654-1 or 350669-1  
by Tyco Electronics AMP K.K.  
The Mating Connector

Cap: 350780-1  
Socket: 350925-1 or  
770673-1

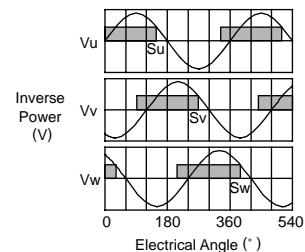
Pin No.	Name	Wire Color
1	Phase U	Red
2	Phase V	White
3	Phase W	Blue
4	FG	Green

Moving Coil Model SGLCW-	L1	L2	N	Approx. Mass* kg
D32A165AP	165	145	4	1.8
D32A225AP	225	205	4	2.5
D32A285AP	285	265	6	3.2

\*: The values indicate the mass of moving coil with a hall sensor unit.

**Hall Sensor Output Signals**

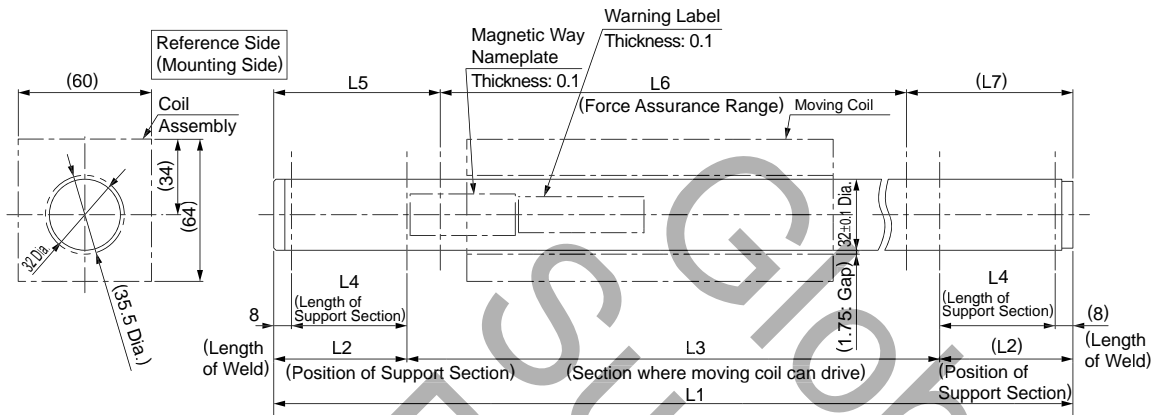
When the moving coil moves in the direction indicated by the arrow in the figure, the relationship between the hall sensor output signals  $S_u$ ,  $S_v$ ,  $S_w$  and the inverse power of each motor phase  $V_u$ ,  $V_v$ ,  $V_w$  becomes as shown in the figure below.





**External Dimensions** Units: mm

● Magnetic Way: SGLCM-D32□□□A

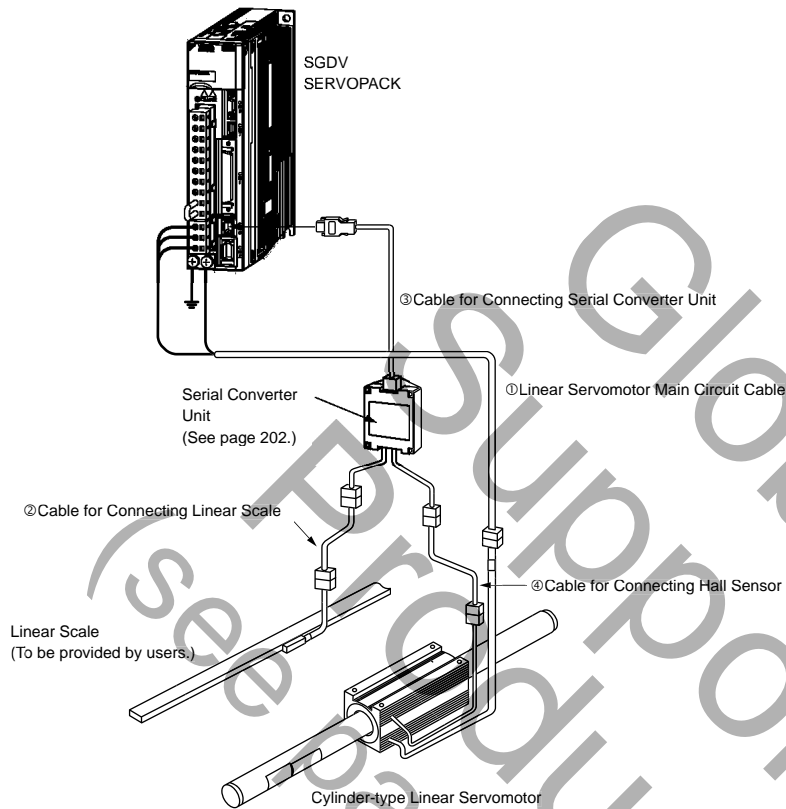


- Notes: 1 The magnetic way will become deformed if a magnetic attraction with the moving coil is generated. Take measures over the entire driving range to prevent any interference between the magnetic way and the moving coil after installation.  
 2 If you have a pacemaker or any other electronic medical device, do not go near the magnetic way of the linear servomotor.

Magnetic Way Model SGLCM-	L1	L2	L3	L4	L5	L6	L7	Approx. Mass kg	Remarks
D32480A	480±1.6	60	360	52	75±0.3	330±1.2	75	3.0	-
D32540A	540±1.6	60	420	52	75±0.3	390±1.2	75	3.4	-
D32600A	600±1.6	60	480	52	75±0.3	450±1.2	75	3.8	Standard
D32660A	660±1.6	60	540	52	75±0.3	510±1.2	75	4.2	-
D32720A	720±1.6	60	600	52	75±0.3	570±1.2	75	4.6	-
D32780A	780±1.6	60	660	52	75±0.3	630±1.2	75	5.0	-
D32840A	840±1.6	60	720	52	75±0.3	690±1.2	75	5.4	-
D32960A	960±2.5	90	780	82	105±0.3	750±2.1	105	5.9	-
D321020A	1020±2.5	90	840	82	105±0.3	810±2.1	105	6.3	Standard
D321080A	1080±2.5	90	900	82	105±0.3	870±2.1	105	6.7	-
D321140A	1140±2.5	90	960	82	105±0.3	930±2.1	105	7.1	-
D321200A	1200±2.5	90	1020	82	105±0.3	990±2.1	105	7.5	-
D321260A	1260±2.5	90	1080	82	105±0.3	1050±2.1	105	7.9	-
D321320A	1320±2.5	90	1140	82	105±0.3	1110±2.1	105	8.3	-
D321380A	1380±2.5	90	1200	82	105±0.3	1170±2.1	105	8.7	-
D321440A	1440±2.5	90	1260	82	105±0.3	1230±2.1	105	9.1	-
D321500A	1500±3	90	1320	82	105±0.3	1290±2.5	105	9.5	Standard

## Selecting Cables

### ● Cables Connections



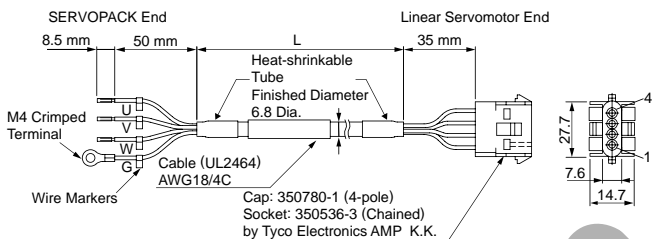
### ● Cables

Name	Applicable Linear Servomotor Model	Length	Order No.	Specifications	Details
① Linear Servomotor Main Circuit Cables	All models	1 m	JZSP-CLN11-01-E	SERVOPACK End    Linear Servomotor End	(1)
		3 m	JZSP-CLN11-03-E		
		5 m	JZSP-CLN11-05-E		
		10 m	JZSP-CLN11-10-E		
		15 m	JZSP-CLN11-15-E		
② Cables for Connecting Linear Scales	All models	1 m	JZSP-CLL00-01-E	Serial Converter Unit End    Linear Scale End	(2)
		3 m	JZSP-CLL00-03-E		
		5 m	JZSP-CLL00-05-E		
		10 m	JZSP-CLL00-10-E		
		15 m	JZSP-CLL00-15-E		
③ Cables for Connecting Serial Converter Units	All models	1 m	JZSP-CLP70-01-E	SERVOPACK End    Serial Converter Unit End	(3)
		3 m	JZSP-CLP70-03-E		
		5 m	JZSP-CLP70-05-E		
		10 m	JZSP-CLP70-10-E		
		15 m	JZSP-CLP70-15-E		
④ Cables for Connecting Hall Sensors	All models	1 m	JZSP-CLL10-01-E	Serial Converter Unit End    Hall Sensor Unit End	(4)
		3 m	JZSP-CLL10-03-E		
		5 m	JZSP-CLL10-05-E		
		10 m	JZSP-CLL10-10-E		
		15 m	JZSP-CLL10-15-E		

\* When using serial converter unit JZDP-G00□-□□□-E, the maximum cable length is 3 m.

Selecting Cables

(1) Linear Servomotor Main Circuit Cables:  
JZSP-CLN11-□□-E



· Wiring Specifications

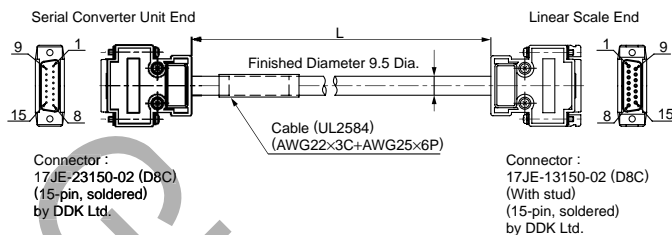
SERVOPACK-end Leads

Wire Color	Signal
Red	Phase U
White	Phase V
Blue	Phase W
Green/yellow	FG

Linear Servomotor-end Connector

Signal	Pin. No.
Phase U	1
Phase V	2
Phase W	3
FG	4

(2) Cables for Connecting Linear Scales:  
JZSP-CLL00-□□-E



· Wiring Specifications

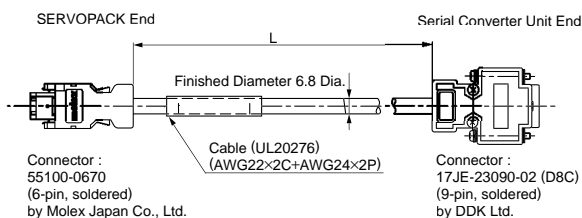
Serial Converter Unit End

Pin No.	Signal
1	/Cos(V1-)
2	/Sin(V2-)
3	Ref(V0+)
4	+5V
5	5Vs
6	BID
7	Vx
8	Vq
9	Cos(V1+)
10	Sin(V2+)
11	/Ref(V0+)
12	0V
13	0Vs
14	DIR
15	Inner
Case	Shield

Linear Scale End

Pin No.	Signal
1	/Cos(V1-)
2	/Sin(V2-)
3	Ref(V0+)
4	+5V
5	5Vs
6	BID
7	Vx
8	Vq
9	Cos(V1+)
10	Sin(V2+)
11	/Ref(V0-)
12	0V
13	0Vs
14	DIR
15	Inner
Case	Shield

(3) Cables for Connecting Serial Converter Units:  
JZSP-CLP70-□□-E

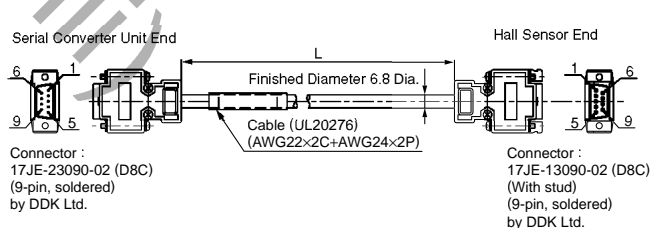


· Wiring Specifications

Pin No.	Signal	Wire Color
1	PG5V	Red
2	PG0V	Black
3	-	-
4	-	-
5	PS	Light blue
6	/PS	Light blue/white
Shell	Shield	-

Pin No.	Signal	Wire Color
1	+5V	Red
5	0V	Black
3	-	-
4	-	-
2	Phase S output	Light blue
6	Phase /S output	Light blue/white
Case	Shield	-
7	-	-
8	-	-
9	-	-

(4) Cables for Connecting Hall Sensors  
JZSP-CLL10-□□-E



· Wiring Specifications

Pin No.	Signal
1	+5V
2	Phase U input
3	Phase V input
4	Phase W input
5	0V
6	-
7	-
8	-
9	-
Case	Shield

Pin No.	Signal
1	+5V
2	Phase U input
3	Phase V input
4	Phase W input
5	0V
6	-
7	-
8	-
9	-
Case	Shield



# Linear Servomotor General Instructions

## Serial Converter Unit (Model: JZDP-□00□-□□□-E)

### ● Characteristics and Specifications

Items		JZDP-D00□-□□□-E	JZDP-G00□-□□□-E
Electrical Characteristics	Power Supply Voltage	+ 5.0V ± 5%, ripple content 5% max.	
	Current Consumption <sup>*1</sup>	120 mA Typ. 350 mA max.	
	Signal Resolution	Input two-phase sine wave: 1/256 pitch	Input two-phase sine wave: 1/4096 pitch
	Max. Response Frequency	250 kHz	100 kHz
	Analog Input Signals <sup>*2</sup> (cos, sin, Ref)	Differential input amplitude: 0.4 to 1.2 V Input signal level: 1.5 to 3.5 V	
	Hall Sensor Input Signal	CMOS level	
	Output Signals <sup>*3</sup>	Position data, hall sensor information, and alarms	
	Output Method	Serial data transmission	
	Output Circuit	Balanced transceiver (SN75LBC176 or the equivalent) Internal terminal resistance: 120 Ω	
Mechanical Characteristics	Approx. Mass	150 g	
	Vibration Resistance	98 m/s <sup>2</sup> max. (10 to 2500 Hz) in three directions	
	Impact Resistance	980 m/s <sup>2</sup> , (11 ms) two times in three directions	
Environmental Conditions	Ambient Temperature	0 to 55°C	
	Storage Temperature	-20 to +80°C	
	Humidity	20% to 90% RH (no condensation)	

- \*1: The current consumption of the linear scale and hall sensor is not included in this value.  
The current consumption of linear scale and hall sensor must be taken into consideration for the current capacity of host controller that supplies the power. The current consumption of hall sensor: Approx. 40 mA.
- \*2: Input a value within the specified range. Otherwise, incorrect position information is output, and the device may be damaged.
- \*3: The power is turned on, and the transmission is enabled after 100 ms to 300 ms.

# General Instructions

## Serial Converter Unit (Model: JZDP-□00□-□□□-E)

● Model Designations

JZDP - □00□ - □□□ - E

Serial Converter Unit Model			
Code	Appearance	Applicable Linear Scale	Hall Sensor
D003		Manufactured by HEIDENHAIN Corp.	None
G003			
D005		Manufactured by RENISHAW plc.	None
G005			
D006		Manufactured by HEIDENHAIN Corp.	Provided
G006			
D008		Manufactured by RENISHAW plc.	Provided
G008			

- Non-Stock Items
- Global Stock Items

Applicable Linear Servomotor					
Servomotor Model		Symbol	Servomotor Model		Symbol
SGLGW- (Coreless)	30A050C	250	SGLTW- (Iron core, T-type)	20A170A	011
	30A080C	251		20A320A	012
	40A140C	252		20A460A	013
	40A253C	253		35A170A	014
	40A365C	254		35A320A	015
	60A140C	258		35A460A	016
	60A253C	259		35A170H	105
	60A365C	260		35A320H	106
	90A200C	264		50A170H	108
	90A370C	265		50A320H	109
	90A535C	266		40A400B	185
	SGLGW- + SGLGM- □-M (Coreless)	40A140C		255	SGLC-
40A253C		256	80A400B	187	
40A365C		257	80A600B	188	
60A140C		261	35D170H	193	
60A253C		262	35D320H	194	
60A365C		263	50D170H	195	
20A090A		017	50D320H	196	
20A120A		018	40D400B	197	
35A120A		019	40D600B	198	
35A230A		020	80D400B	199	
50A200B		181	80D600B	200	
50A380B		182	D16A085AP	354	
1ZA200B	183	D16A115AP	373		
1ZA380B	184	D16A145AP	356		
35D120A	211	D20A100AP	357		
35D230A	212	D20A135AP	358		
50D200B	189	D20A170AP	359		
50D380B	190	D25A125AP	360		
1ZD200B	191	D25A170AP	374		
1ZD380B	192	D25A215AP	362		
		D32A165AP	363		
		D32A225AP	364		
		D32A285AP	365		

Linear Servomotor General Instructions

## Serial Converter Unit (Model: JZDP-□00□-□□□-E)

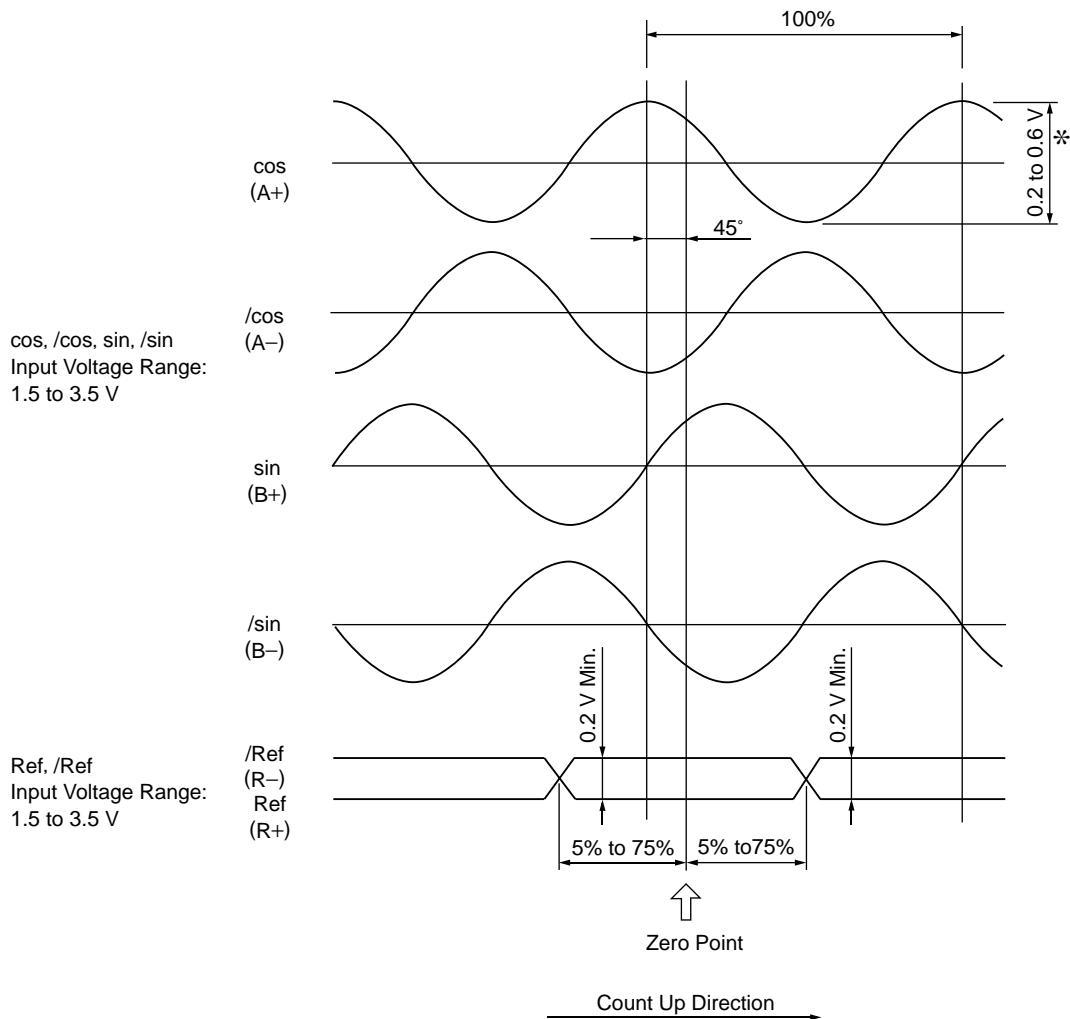
### ● Analog Signal Input Timing

The following figure shows the input timing of the analog signals.

When the cos and sin signals are shifted 180 degrees, the differential signals are the /cos and /sin signals.

The specifications of the cos, /cos, sin, and /sin signals are identical except for the phase.

Input the signals Ref and /Ref so that they shall cross each other as shown in the figure because they are input into the converter. When they are crossed, the output data will be counted up.



\*:If the analog signal amplitude declines to about 0.35 V because of differential amplitude, the serial converter outputs an alarm.

### IMPORTANT

#### ■ Precautions

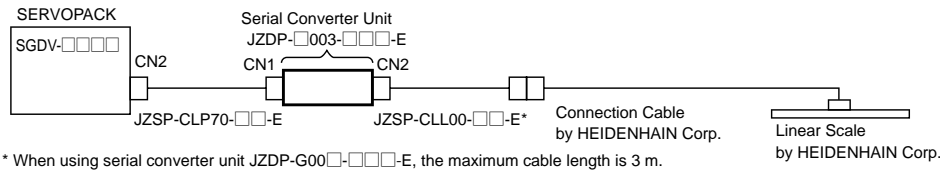
- 1 Never perform insulation resistance and withstand voltage tests.
- 2 When analog signals are input to the serial converter unit, noise influence on the analog signals affects the unit's ability to output correct position information. The analog cable must be as short as possible and shielded.
- 3 Use the serial converter unit without gases such as H<sub>2</sub>S.
- 4 Do not connect or disconnect the unit while power is being supplied, or the unit may be damaged.
- 5 When using multiple axes, use a shield cable for each axis. Do not use a shield cable for multiple axes.

## Serial Converter Unit (Model: JZDP-□00□-□□□-E) Units: mm

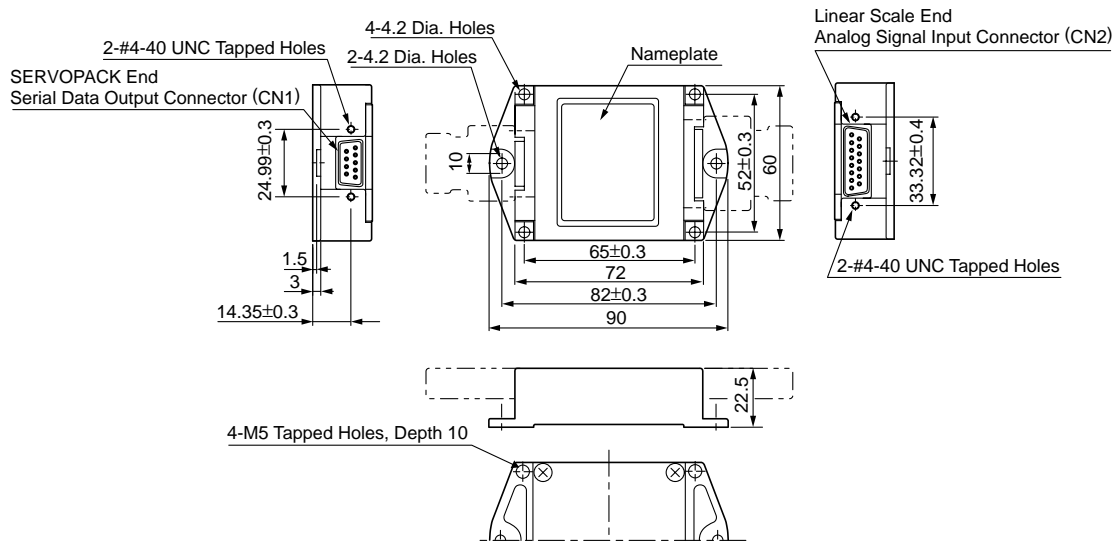
### ● Without Cable for Hall Sensor (For Linear Scale by HEIDENHAIN Corporation)

Serial Converter Unit Model: JZDP-□003-□□□-E

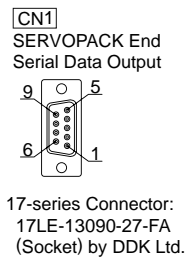
#### (1) Connection Example



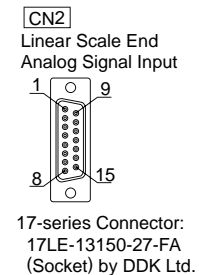
#### (2) External Dimensions



Pin No.	Signal
1	+5V
2	Phase S output
3	Not used
4	Not used
5	0V
6	Phase /S output
7	Not used
8	Not used
9	Not used
Case	Shield



Pin No.	Signal
1	cos input (A+)
2	0V
3	sin input (B+)
4	+5V
5	Not used
6	Not used
7	/Ref input (R-)
8	Not used
9	/cos input (A-)
10	0V sensor
11	/sin input (B-)
12	5V sensor
13	Not used
14	Ref input (R+)
15	Not used
Case	Shield



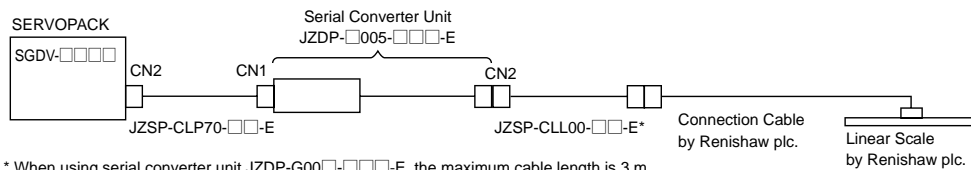
- Notes:
- 1 Do not use the unused pins.
  - 2 Contact HEIDENHAIN Corporation for details of connection cables (analog 1 Vp-p output, D-sub 15-pin, male) by HEIDENHAIN Corporation.
  - 3 Use the same terminal for 5-V sensor and phase-W input.
  - 4 Phase U, V, and W input are internally pulled up at 10 kΩ.

# Serial Converter Unit (Model: JZDP-□00□-□□□-E) Units: mm

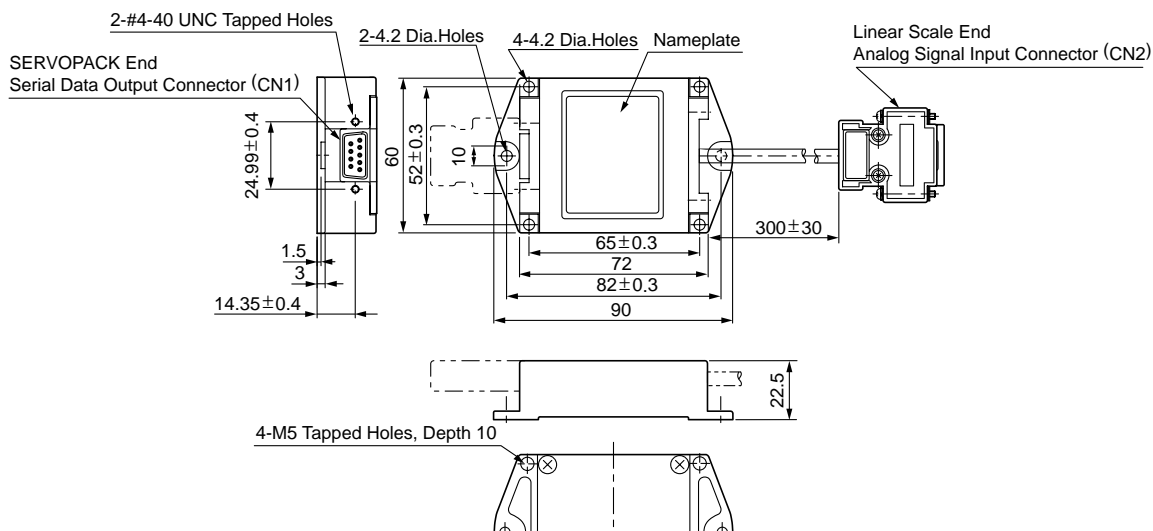
## ● Without Cable for Hall Sensor (For Linear Scale by Renishaw plc.)

Serial Converter Unit Model: JZDP-□005-□□□-E

### (1) Connection Example

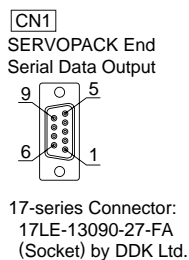


### (2) External Dimensions

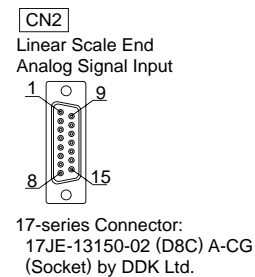


Pin No.	Signal
1	+5V
2	Phase S output
3	Not used
4	Not used
5	0V
6	Phase /S output
7	Not used
8	Not used
9	Not used
Case	Shield

SERVOPACK does not have the function to process Vq signals.



Pin No.	Signal
1	cos input (V1-)
2	sin input (V2-)
3	Ref input (V0+)
4	+5V
5	5Vs
6	Not used
7	Not used
8	Not used
9	cos input (V1+)
10	sin input (V2+)
11	/Ref input (V0-)
12	0V
13	0Vs
14	Not used
15	inner (0V)
Case	Shield



- Notes:
- 1 Do not use the unused pins.
  - 2 Contact Renishaw plc. for details of connection cables (analog 1 Vp-p output, D-sub 15-pin, male) by Renishaw plc. However, the BID and DIR signals are not connected.
  - 3 Use the linear scale-end connector to change the zero point specifications of the linear scale.

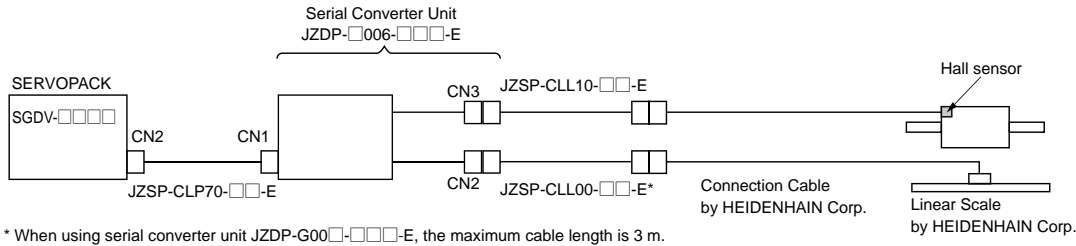


## Serial Converter Unit (Model: JZDP-□00□-□□□-E) Units: mm

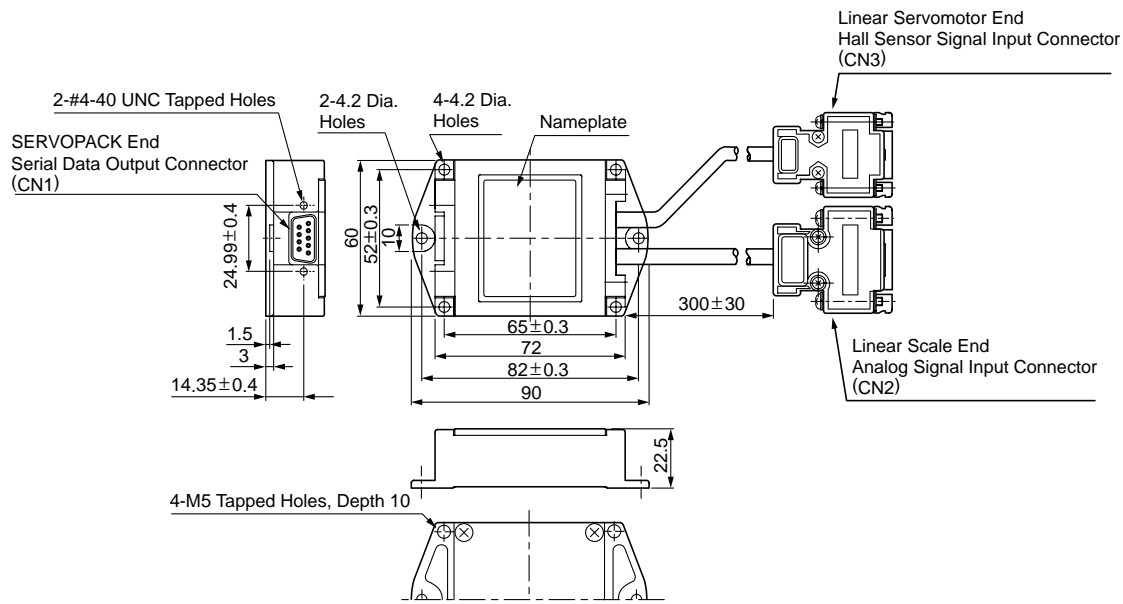
### ● With Cable for Hall Sensor (For Linear Scale by HEIDENHAIN Corporation)

Serial Converter Unit Model: JZDP-□006-□□□-E

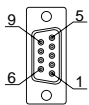
#### (1) Connection Example



#### (2) External Dimensions

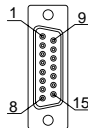


**CN1**  
SERVOPACK End  
Serial Data Output



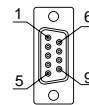
17-series Connector:  
17LE-13090-27-FA  
(Socket) by DDK Ltd.

**CN2**  
Linear Scale End  
Analog Signal Input



17-series Connector:  
17JE-13150-02 (D8C) A-CG  
(Socket) by DDK Ltd.

**CN3**  
Linear Servomotor End  
Hall Sensor Signal Input



17-series Connector:  
17JE-13090-02 (D8C) A-CG  
by DDK Ltd.

Pin No.	Signal
1	+5V
2	Phase S output
3	Not used
4	Not used
5	0V
6	Phase /S output
7	Not used
8	Not used
9	Not used
Case	Shield

Pin No.	Signal
1	cos input (A+)
2	0V
3	sin input (B+)
4	+5V
5	Not used
6	Not used
7	/Ref input (R-)
8	Not used
9	/cos input (A-)
10	0V sensor
11	/sin input (B-)
12	5V sensor
13	Not used
14	Ref input (R+)
15	Not used
Case	Shield

Pin No.	Signal
1	+5V
2	Phase U input
3	Phase V input
4	Phase W input
5	0V
6	Not used
7	Not used
8	Not used
9	Not used
Case	Shield

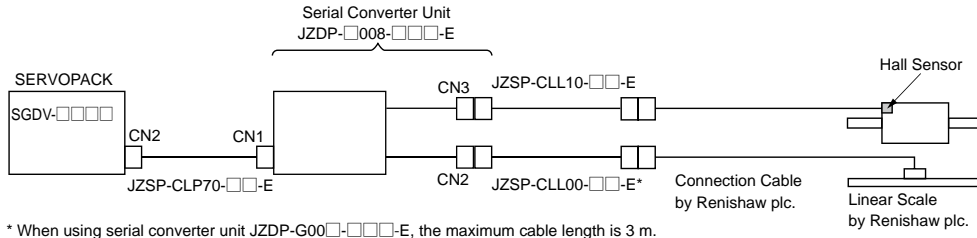
- Notes: 1 Do not use the unused pins.  
2 Contact HEIDENHAIN Corporation for details of connection cables (analog 1 Vp-p output, D-sub 15-pin, male) by HEIDENHAIN Corporation.  
3 Phase U, V, and W input are internally pulled up at 10 kΩ.

# Serial Converter Unit (Model: JZDP-□00□-□□□-E) Units: mm

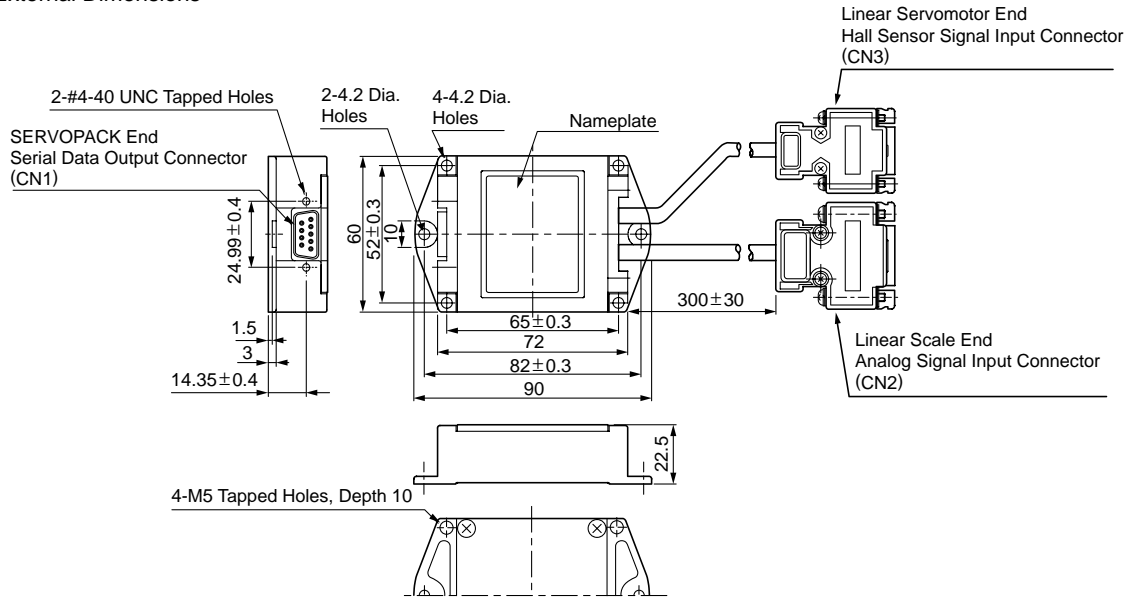
## ● With Cable for Hall Sensor (For Linear Scale by Renishaw plc.)

Serial Converter Unit Model: JZDP-□008-□□□-E

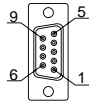
### (1) Connection Example



### (2) External Dimensions

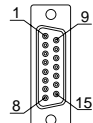


**CN1**  
SERVOPACK End  
Serial Data Output



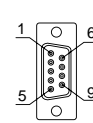
17-series Connector:  
17LE-13090-27-FA  
(Socket) by DDK Ltd.

**CN2**  
Linear Scale End  
Analog Signal Input



17-series Connector:  
17JE-13150-02 (D8C) A-CG  
(Socket) by DDK Ltd.

**CN3**  
Linear Servomotor End  
Hall Sensor Signal Input



17-series Connector:  
17JE-13090-02 (D8C) A-CG  
by DDK Ltd.

Pin No.	Signal
1	+5V
2	Phase S output
3	Not used
4	Not used
5	0V
6	Phase /S output
7	Not used
8	Not used
9	Not used
Case	Shield

Pin No.	Signal
1	/cos input (V1-)
2	/sin input (V2-)
3	Ref input (V0+)
4	+5V
5	5Vs
6	Not used
7	Not used
8	Not used
9	cos input (V1+)
10	sin input (V2+)
11	/Ref input (V0-)
12	0 V
13	0 Vs
14	Not used
15	Inner
Case	Shield

Pin No.	Signal
1	+5V
2	Phase U input
3	Phase V input
4	Phase W input
5	0V
6	Not used
7	Not used
8	Not used
9	Not used
Case	Shield

- Notes:
- Do not use the unused pins.
  - Contact Renishaw plc. for details of connection cables (analog 1 Vp-p output, D-sub 15-pin, male) by Renishaw plc. However, the BID and DIR signals are not connected.
  - Use the linear scale-end connector to change the zero point specifications of the linear scale.
  - Phase U, V, and W input are internally pulled up at 10 kΩ.

## Flexible Cables

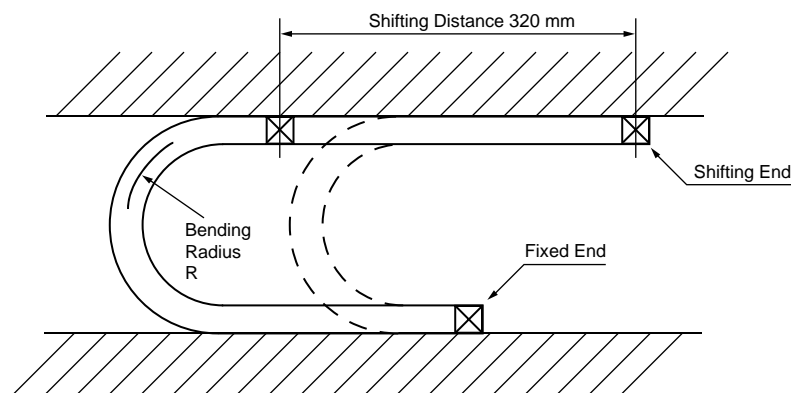
### ● Life of Flexible Cable

The flexible cable supports 10,000,000 or more operations of bending life with the recommended bending radius R. The following table shows the recommended bending radius R of each cable.

Cable Type	Model	Recommended Bending Radius mm
Linear Servomotor Main Circuit Cables	JZSP-CLN11-□□-E	35
	JZSP-CLN21-□□-E	38
	JZSP-CLN39-□□-E	50
	JZSP-CLN14-□□-E	35
Cables for Connecting Linear Scales	JZSP-CLL00-□□-E	57
Cables for Connecting Hall Sensors	JZSP-CLL10-□□-E	46
Cables for Connecting Serial Converter Units	JZSP-CLP70-□□-E	46

### ● Conditions

- 1 Repeat moving one end of the cable forward and backward for 320 mm with using the test equipment shown in the following figure.
- 2 Connect the lead wires in parallel, and count the number of cable return motion times until a lead wire is disconnected. Note that one reciprocating is counted as one test.



- Notes:
- 1 The life of flexible cable differs largely depending on the amount of mechanical shocks, mounting to the cable, and fixing methods. The life of flexible cable is limited under the specified conditions.
  - 2 The life of flexible cable indicates the number of bending times in which lead wires are electrically conducted and by which no cracks and damages that affects the performance of cable sheathing are caused. Disconnecting the shield wire is not taken into account.

### ● Wiring Precautions

Even if the recommended bending radius R is respected in the mechanical design, incorrect wiring may cause early disconnection. Observe the following precautions when wiring.

#### (1) Cable twisting

Straighten the flexible cables before wiring.

Twisted cables cause early disconnection. Check the indication on the cable surface to make sure that the cable is not twisted.

#### (2) Fixing method

Do not fix the moving points of the flexible cable. Stress on the fixed points may cause early disconnection. Fix the cable at the minimum number of points.

#### (3) Cable length

If the cable length is too long, it may cause the cable's sagging. Besides the cable length is too short, it may cause the excessive tension on the fixed points that will cause early disconnection. Use a flexible cable with the optimum length.

#### (4) Interference between cables

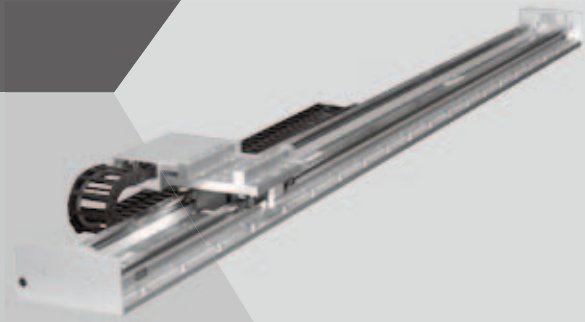
Avoid interference between cables.

Interference limits the motion of flexible cable, which causes early disconnection. Keep enough distance between cables, or provide a partition when wiring.

# Linear Slides



# $\Sigma$ -Trac



## Model Designation

**SGT 1 F3 1 - 030 AR 20 - 0 4**

$\Sigma$ -Trac Series  
Linear Slide

Linear Slide Type

1 : Standard  
(Aluminum base)

Mounted Linear Servomotor

Moving Coil Model	Voltage	Code
SGLFW-35A120A	200 V	F3
SGLFW-35A230A		F4
SGLFW-50A200B		F9
SGLFW-50A380B		FA
SGLFW-35D120A	400 V	FD
SGLFW-35D230A		FE
SGLFW-50D200B		FF
SGLFW-50D380B		FG

Number of Tables (per Axis)

1 : 1 table

Stroke Length

007 : 70 mm  
to  
195 : 1950 mm

\* Options:

4: Cable Track Assembly

\* Limit sensors and covers sold separately. See Cables, Connectors, and Accessories.

Surface Treatment

0 : Aluminum base: Clear anodized

Linear Scale Resolution

20 : 20  $\mu$ m

Standard

## Features

- Factory assembled, fully integrated linear motor driven slide reduces machine design complexity and commissioning time.
- Automatic motor recognition by Yaskawa amplifiers eliminates need for user to input motor coil parameters.
- Long strokes and high-speed, high accuracy positioning.
- Large integrated cable carrier allows space for peripheral cables and hoses.
- Covers and accessories available as accessories (up to 1 m stroke).
- See [www.yaskawa.com](http://www.yaskawa.com) for "Quick Ship" program details.

## Application Examples

- Pick and Place
- Precision Dispensing
- Vision Inspection
- Laser Cutting/Machining.
- Engraving
- Flat Panel Display Manufacture (LCD Substrate Handling)
- Industrial Laser and Ink Jet Printing
- Electronic Component Assembly
- Insertion Machines (Packaging)

## Model Classification

### ● Force

SERVOPACK Model SGD-			Σ-Trac Series Linear Slides							
Single-phase 100 VAC	Three-phase 200 VAC	Three-phase 400 VAC	Model	Force	200 N	400 N	600 N	800 N	1000 N	1200 N
2R1F	1R6A	–	SGT1F31-□□□							
–	–	1R9D	SGT1FD1-□□□						Rated force	Peak force
–	3R8A	–	SGT1F41-□□□							
–	–	1R9D	SGT1FE1-□□□							
–	5R5A	–	SGT1F91-□□□							
–	–	3R5D	SGT1FF1-□□□							
–	120A	–	SGT1FA1-□□□							
–	–	5R4D	SGT1FG1-□□□							

### ● Stroke Length

Model	Stroke Length	500 mm	1000 mm	1500 mm	2000 mm
SGT1F31-□□□ SGT1FD1-□□□	80 mm				1950 mm
SGT1F41-□□□ SGT1FE1-□□□	180 mm				1830 mm
SGT1F91-□□□ SGT1FF1-□□□	70 mm				1830 mm
SGT1FA1-□□□ SGT1FG1-□□□	170 mm				1650 mm

# SGT1F31, SGT1F41, SGT1FD1, and SGT1FE1 Linear Slides

## ● Ratings and Specifications

Time Rating: Continuous  
 Insulation Resistance: 500 VDC, 10 MΩ min.  
 Ambient Temperature: 0 to 40°C  
 Excitation: Permanent magnet

Withstand Voltage: 1500 VAC for one minute  
 Enclosure: Self-cooled  
 Ambient Humidity: 20% to 80% (no condensation)  
 Winding Insulation: Class A

Linear Slide Model <sup>*1</sup>		200 V Models		400 V Models	
		SGT1F31-□□□ AR20-04	SGT1F41-□□□ AR20-04	SGT1FD1-□□□ AR20-04	SGT1FE1-□□□ AR20-04
Mounted Linear Servomotor Model	SGLFW-	35A120AP	35A230AP	35D120AP	35D230AP
Applicable SERVOPACK Model	SGDV-	2R1F, 1R6A	3R8A	1R9A	1R9A
Mounted Serial Converter Unit Model	JZDP-	D008-019	D008-020	D008-211	D008-212
Rated Force	N	80	160	80	160
Peak Force	N	220	440	220	440
Force Constant	N / A <sub>rms</sub>	62.4	62.4	136	136
Motor Constant	N / √W	14.4	20.4	14.2	20.1
Maximum Payload <sup>*2, *3</sup>	kg	30	70	30	70
Movable Member Mass	kg	4.3	6.6	4.3	6.6
Total Mass	kg	See Table 1	See Table 2	See Table 1	See Table 2
Effective Stroke	mm	on the next page.	on the next page.	on the next page.	on the next page.
Resolution	μm	0.078 (20 μm / 256)		0.078 (20 μm / 256)	
Repeatability <sup>*4</sup>	μm	±1.0	±1.0	±1.0	±1.0
Absolute Accuracy	μm	Consult factory		Consult factory	
Straightness and Flatness	μm	Consult factory		Consult factory	

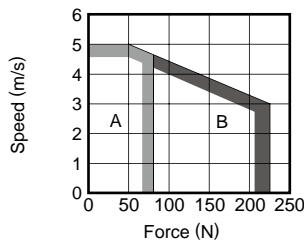
\*1: Squares (□□□) are used to indicate the stroke length code shown in Tables 1 and 2.  
 \*2: Values obtained when the acceleration is 4.9 m/s<sup>2</sup>.  
 \*3: Contact your Yaskawa representative if the expected payload exceeds the value indicated in the table.  
 \*4: Values obtained when the ambient temperature is constant.

## ● Performance Curves

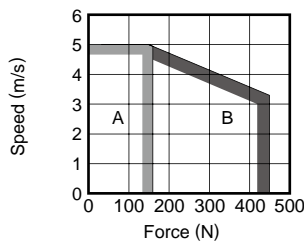
### ● Force - Speed

**A** : Continuous Duty Zone  
**B** : Intermittent Duty Zone (Note)

(1) SGT1F31,  
SGT1FD1



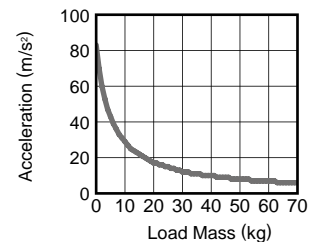
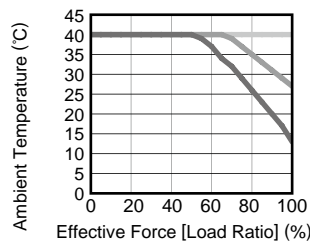
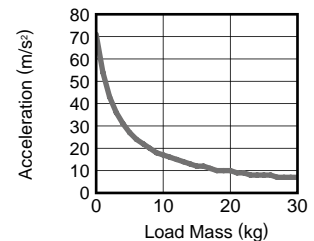
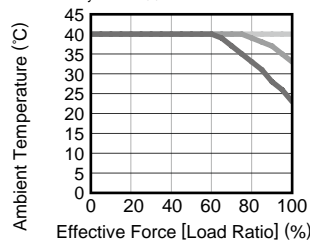
(2) SGT1F41,  
SGT1FE1



Note: When the effective force during intermittent duty is within the rated force, the servomotor can be used within the intermittent duty zone.

### ● Effective Force - Ambient Temperature ● Load Mass - Acceleration

When the sensor temperature is 50°C or less  
 Average speed (m/s) : 0 — 1 — 2 —  
 Note: Average speed = Total movement distance (m) / cycle time (s)



SGT1F31, SGT1F41, SGT1FD1, and SGT1FE1 Linear Slides Units: mm

● External Dimensions

(1) SGT1F31, SGT1FD1

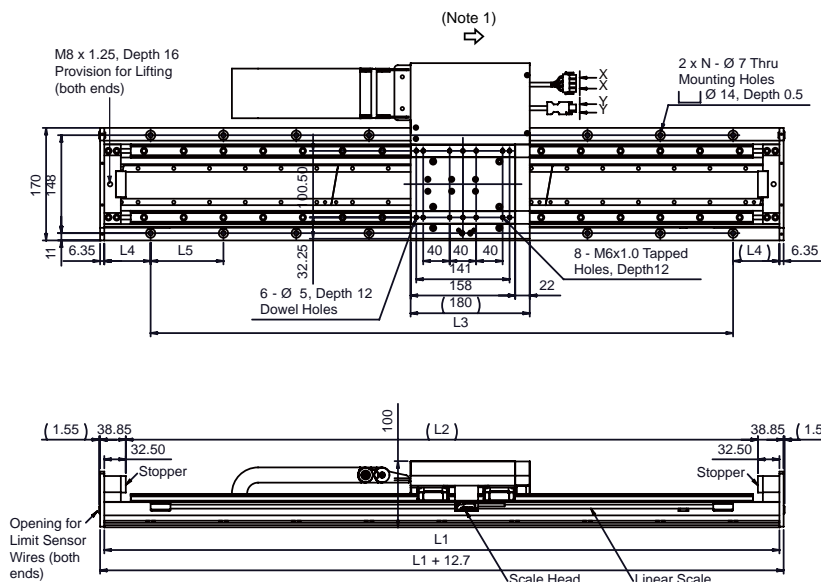


Table 1

Stroke Code	Length	L1	L2	L3	L4	L5	N	Total Mass kg
		mm	mm	mm	mm	mm		
008	80	360	295	270	45	90	4	10.4
030	300	580	515	440			5	14.4
041	410	690	625	550			6	16.3
052	520	800	735	660			7	18.2
063	630	910	845	770			8	20.0
074	740	1020	955	880			9	21.9
085	850	1130	1065	990			10	23.9
096	960	1240	1175	1100			11	26.0
107	1070	1350	1285	1210	70	110	12	27.8
118	1180	1460	1395	1320			13	29.8
129	1290	1570	1505	1430			14	31.6
140	1400	1680	1615	1540			15	33.5
151	1510	1790	1725	1650			16	35.6
162	1620	1900	1835	1760			17	37.5
173	1730	2010	1945	1870			18	39.4
184	1840	2120	2055	1980			19	41.3
195	1950	2230	2165	2090			20	43.2

(2) SGT1F41, SGT1FE1

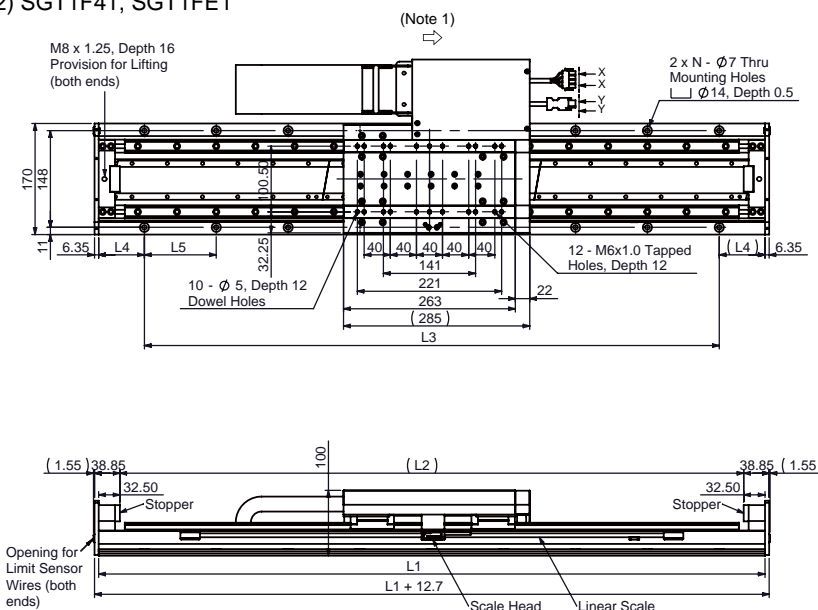


Table 2

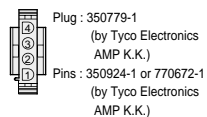
Stroke Code	Length	L1	L2	L3	L4	L5	N	Total Mass kg
		mm	mm	mm	mm	mm		
018	180	580	515	440			5	16.5
029	290	690	625	550			6	18.5
040	400	800	735	660			7	20.4
051	510	910	845	770			8	22.2
062	620	1020	955	880			9	24.2
073	730	1130	1065	990			10	26.1
084	840	1240	1175	1100			11	28.6
095	950	1350	1285	1210	70	110	12	30.1
106	1060	1460	1395	1320			13	32.0
117	1170	1570	1505	1430			14	33.8
128	1280	1680	1615	1540			15	35.8
139	1390	1790	1725	1650			16	37.7
150	1500	1900	1835	1760			17	39.8
161	1610	2010	1945	1870			18	41.6
172	1720	2120	2055	1980			19	43.6
183	1830	2230	2165	2090			20	44.3

Notes: 1 The moving coil moves in the direction indicated by the arrow when current flows in the order of phase U, V, and W.

2 When installing the linear slide, the surface should be flat to the equivalent of a maximum discrepancy of 0.02/200 mm (reference value).

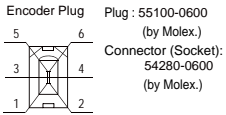
● Connector Specifications for the Σ-Trac Series Linear Slides (All Models)

View X-X



Pin No.	Signal
1	Phase-U output
2	Phase-V output
3	Phase-W output
4	FG

View Y-Y



For Encoder Connection

Pin	Signal	Wire Color
1	PG 5V	Red
2	PG 0V	Black
3	-	-
4	-	-
5	Data +	Light Blue
6	Data -	White/Light Blue

# SGT1F91, SGT1FA1, SGT1FF1, and SGT1FG1 Linear Slides

## ● Ratings and Specifications

Time Rating: Continuous  
 Insulation Resistance: 500 VDC, 10 MΩ min.  
 Ambient Temperature: 0 to 40°C  
 Excitation: Permanent magnet

Withstand Voltage: 1500 VAC for one minute  
 Enclosure: Self-cooled  
 Ambient Humidity: 20% to 80% (no condensation)  
 Winding Insulation: Class A

Linear Slide Model <sup>1</sup>		200 V Models		400 V Models	
		SGT1F91-□□□ AR20-04	SGT1FA1-□□□ AR20-04	SGT1FF1-□□□ AR20-04	SGT1FG1-□□□ AR20-04
Mounted Linear Servomotor Model	SGLFW-	50A200BP	50A380BP	50D200BP	50D380BP
Applicable SERVOPACK Model	SGDV-	5R5A	120A	3R5D	5R4D
Applicable Serial Converter Unit Model	JZDP-	D008-181	D008-182	D008-189	D008-190
Rated Force	N	280	560	280	560
Peak Force	N	600	1200	600	1200
Force Constant	N / A <sub>rms</sub>	60.2	60.2	134.7	134.7
Motor Constant	N / √W	34.3	48.5	34.4	47.2
Maximum Payload <sup>2,3</sup>	kg	100	215	100	215
Movable Member Mass	kg	8.5	14.5	8.5	14.5
Total Mass	kg	See Table 1	See Table 2	See Table 1	See Table 2
Effective Stroke	mm	on the next page.	on the next page.	on the next page.	on the next page.
Resolution	μm	0.078 (20 μm / 256)		0.078 (20 μm / 256)	
Repeatability <sup>4</sup>	μm	±1.0		±1.0	
Absolute Accuracy	μm	Consult factory		Consult factory	
Straightness and Flatness	μm	Consult factory		Consult factory	

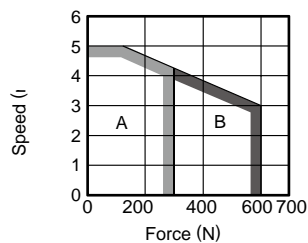
\*1: Squares (□□□) are used to indicate the stroke length code shown in Tables 1.  
 \*2: Values obtained when the acceleration is 4.9 m/s<sup>2</sup>.  
 \*3: Contact your Yaskawa representative if the expected payload exceeds the value indicated in the table.  
 \*4: Values obtained when the ambient temperature is constant.

## ● Performance Curves

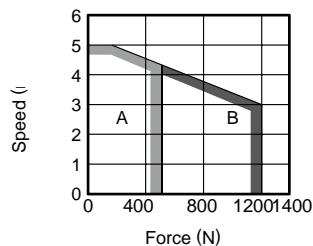
### ● Force - Speed

**A** : Continuous Duty Zone  
**B** : Intermittent Duty Zone (Note)

(1) SGT1F91,  
SGT1FF1



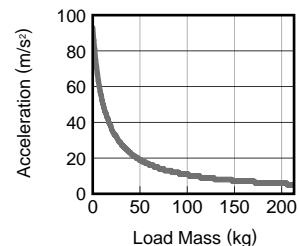
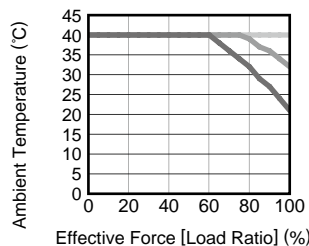
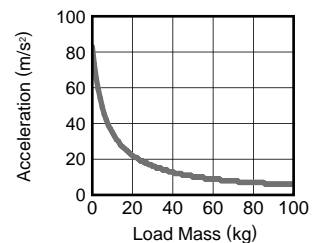
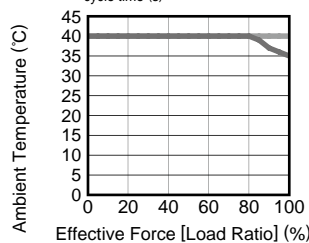
(2) SGT1FA1,  
SGT1FG1



Note: When the effective force during intermittent duty is within the rated force, the servomotor can be used within the intermittent duty zone.

### ● Effective Force - Ambient Temperature ● Load Mass - Acceleration

When the sensor temperature is 50°C or less  
 Average speed (m/s) : 0 — 1 — 2 —  
 Note: Average speed = Total movement distance (m) / cycle time (s)





**SGT1F91, SGT1FA1, SGT1FF1, and SGT1FG1 Linear Slides** Units: mm

● External Dimensions

(1) SGT1F91, SGT1FF1

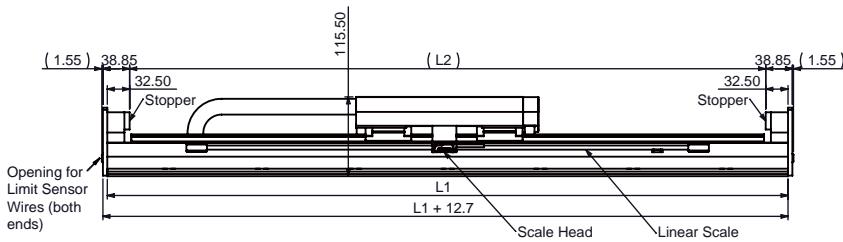
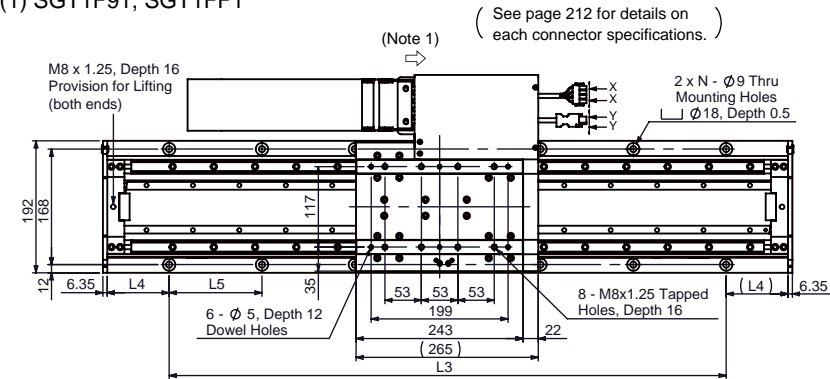
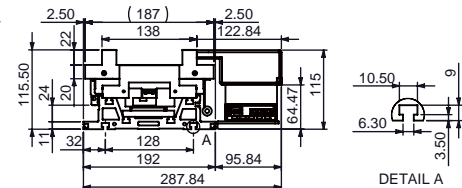


Table 1

Stroke		L1	L2	L3	L4	L5	N	Total Mass kg
Code	Length	mm	mm	mm	mm	mm		
007	70	440	375	300	70	100	4	17.3
035	350	720	655	540	90	135	5	22.8
048	480	850	785	675	87.5		6	25.6
062	620	990	925	810	90		7	28.4
075	750	1120	1055	945	87.5		8	31.0
089	890	1260	1195	1080	90		9	33.8
102	1020	1390	1325	1215	87.5		10	36.6
116	1160	1530	1465	1350	90		11	39.3
129	1290	1660	1595	1485	87.5		12	41.9
143	1430	1800	1735	1620	90		13	44.7
156	1560	1930	1865	1755	87.5		14	47.5
170	1700	2070	2005	1890	90		15	50.2
183	1830	2200	2135	2025	87.5		16	53.0



(2) SGT1FA1, SGT1FG1

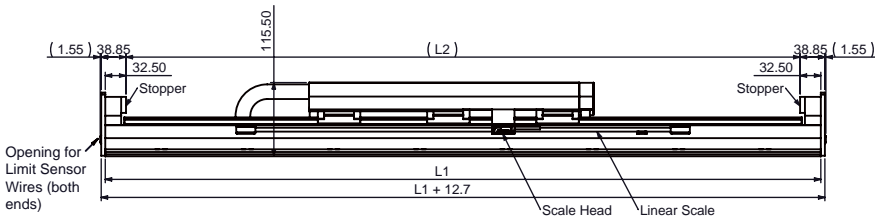
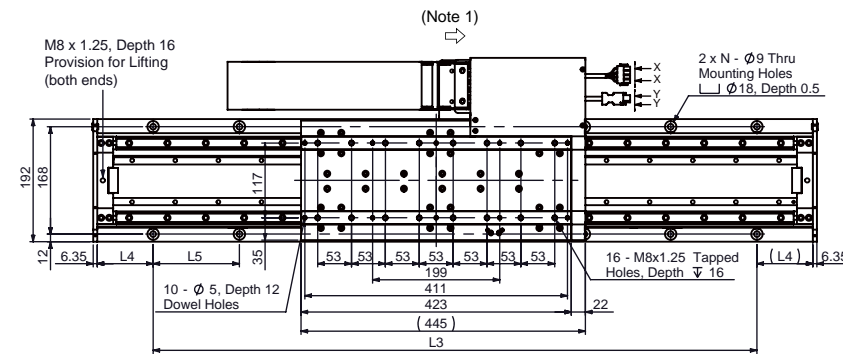
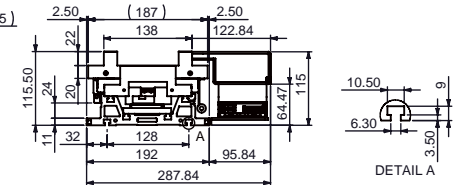


Table 2

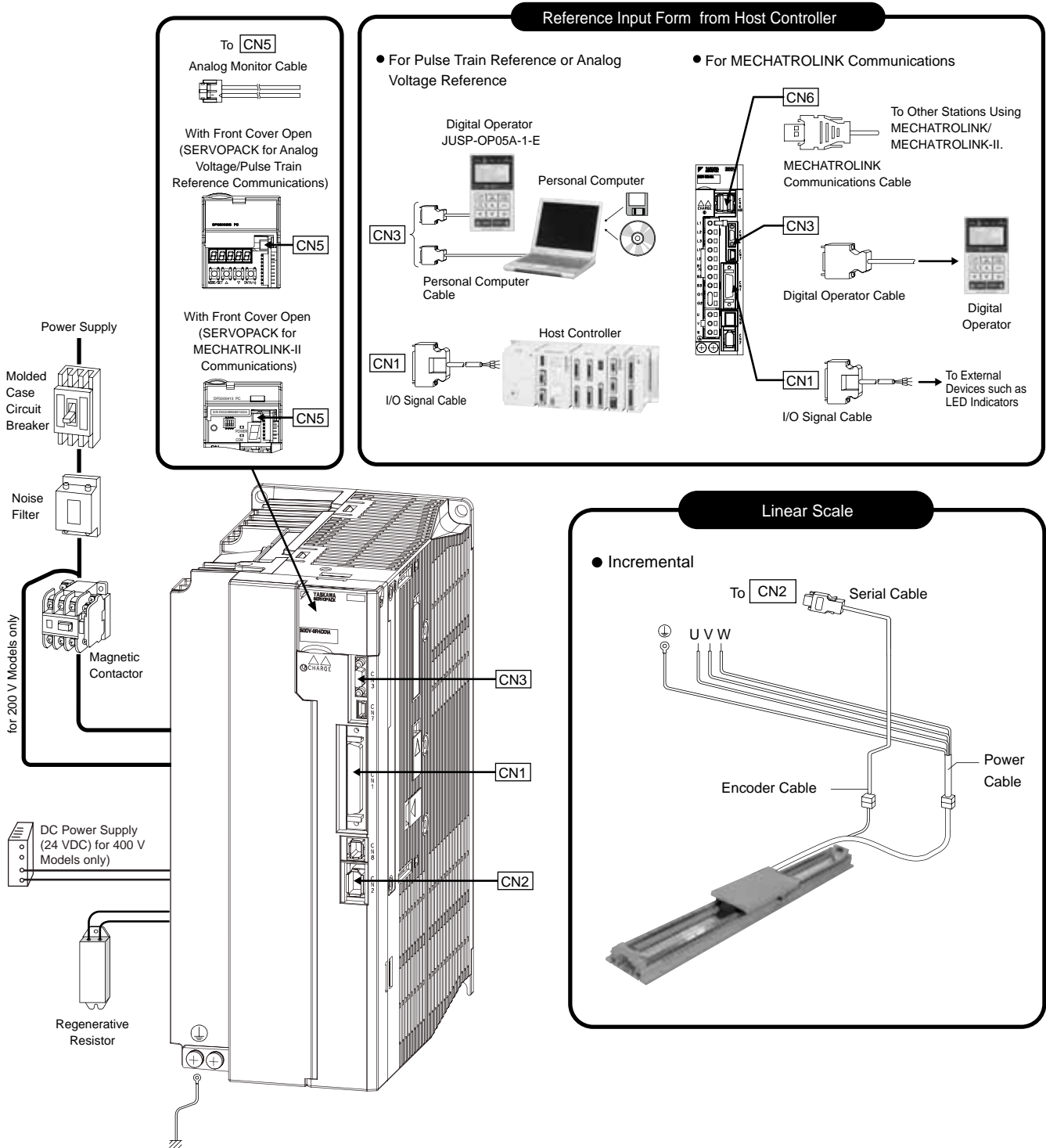
Stroke		L1	L2	L3	L4	L5	N	Total Mass kg
Code	Length	mm	mm	mm	mm	mm		
017	170	720	655	540	90	135	5	28.7
030	300	850	785	675	87.5		6	31.6
044	440	990	925	810	90		7	34.4
057	570	1120	1055	945	87.5		8	37.0
071	710	1260	1195	1080	90		9	39.7
084	840	1390	1325	1215	87.5		10	42.6
098	980	1530	1465	1350	90		11	45.3
111	1110	1660	1595	1485	87.5		12	47.9
125	1250	1800	1735	1620	90		13	50.6
138	1380	1930	1865	1755	87.5		14	53.4
152	1520	2070	2005	1890	90		15	56.2
165	1650	2200	2135	2025	87.5		16	58.9



Notes: 1 The moving coil moves in the direction indicated by the arrow when current flows in the order of phase U, V, and W.  
 2 When installing the linear Slide, the surface should be flat to the equivalent of a maximum discrepancy of 0.02/200 mm (reference value).

# Selecting Cables, Connectors, and Accessories

## ● Connection diagrams



## Selecting Cables, Connectors, and Accessories

### ● Applicable Cables and Connectors

Motor Type	Linear Scale Type	Servo Drive			Motor Cable	Linear Scale Connection Cables	Pulse-train or Analog Voltage Reference			
		Σ-Trac Series Model	SERVOPACK Model SGD V-			SERVOPACK ↔ Motor	[CN2] ↔ Encoder Cable	I/O Signal Connector [CN1]		
		Single-phase 100 V	Three-phase 200 V	Three-phase 400 V	Power Cable (Flexible Type)	Serial Cable (Flexible Type)	Connector Terminal Block Converter Unit	Cable with Loose Wires at One End	Connector Kit (CN1)	
Moving Coil (MC)	Incremental	SGT1F31-□□□ AR20-04	2R1F,	-	-	JZSP-CLN11-□□	JZSP-CMP00-□□ (A)  The numbers in the boxes(□□) indicate the cable length. 03 = 3 m 05 = 5 m 10 = 10 m 15 = 15 m 20 = 20 m	JZSP-TA50PG-E  (with a 0.5 m cable)	JZSP-CS101-□-E  The number in the box (□) indicates the cable length. 1 = 1 m 2 = 2 m 3 = 3 m	JZSP-CS19-1-E
		SGT1FD1-□□□ AR20-04	-	1R6A	-					
		SGT1F41-□□□ AR20-04	-	3R8A	-	JZSP-CLN11-□□				
		SGT1FE1-□□□ AR20-04	-	-	1R9D	JZSP-CLN21-□□				
		SGT1F91-□□□ AR20-04	-	5R5A	-	JZSP-CLN21-□□				
		SGT1FF1-□□□ AR20-04	-	-	3R5D	JZSP-CLN21-□□				
		SGT1FA1-□□□ AR20-04	-	120A	-	JZSP-CLN21-□□				
		SGT1FG1-□□□ AR20-04	-	-	5R4D	JZSP-CLN21-□□				

Motor Type	Linear Scale Type	Servo Drive			MECHATROLINK Communications			Cables for Setting Devices/Monitors	
		Σ-Trac Series Model	SERVOPACK Model SGD V-			I/O Signal Connector [CN1]		[CN3] ↔ Setting Devices	[CN5]
		Single-phase 100 V	Three-phase 200 V	Three-phase 400 V	Connector Terminal Block Converter Cable	Connector Kit (CN1)	MECHATROLINK Communications Connector [CN6A] or [CN6B]	Personal Computer Cable	Analog Monitor Cable
Moving Coil (MC)	Incremental	SGT1F31-□□□ AR20-04	2R1F,	-	-	JZSP-TA26P-□-E  □ → None = 0.5 m 1 = 1 m 2 = 2 m	MECHATROLINK communications cable: JEPMC-W6002-□□-E The numbers in the boxes(□□) indicate the cable length. A5 = 0.5 m 20 = 20 m 01 = 1 m 30 = 30 m 03 = 3 m 40 = 40 m 05 = 5 m 50 = 50 m 10 = 10 m  MECHATROLINK terminator: JEPMC-W6022-E	JZDP-CMS02-E (2 m)	JZSP-CA01-E (1 m)
		SGT1FD1-□□□ AR20-04	-	1R6A	-				
		SGT1F41-□□□ AR20-04	-	3R8A	-				
		SGT1FE1-□□□ AR20-04	-	-	1R9D				
		SGT1F91-□□□ AR20-04	-	5R5A	-				
		SGT1FF1-□□□ AR20-04	-	-	3R5D				
		SGT1FA1-□□□ AR20-04	-	120A	-				
		SGT1FG1-□□□ AR20-04	-	-	5R4D				

### ● Applicable Accessories

Cover Kits: SGTA-CVR 3 - 030

Stroke Code for Motor Selected

Motor Code	
3	Covers for SGT1F31, SGT1FD1
4	Covers for SGT1F41, SGT1FE1
9	Covers for SGT1F91, SGT1FF1
A	Covers for SGT1FA1, SGT1FG1

Stroke Codes		Cover Length (mm)
SGT1F31 SGT1FD1	SGT1F41 SGT1FE1	
008	-	372.7
030	018	592.7
041	029	702.7
052	040	812.7
063	051	922.7
074	062	1032.7
085	073	1142.7
096	084	1252.7
107	095	1362.7

Stroke Codes		Cover Length (mm)
SGT1F91 SGT1FF1	SGT1FA1 SGT1FG1	
007	-	452.7
035	017	732.7
048	030	862.7
062	044	1002.7
075	057	1132.7
089	071	1272.7
102	084	1402.7

Note: Cover kit includes 1 top cover, 2 side covers, and all mounting hardware.

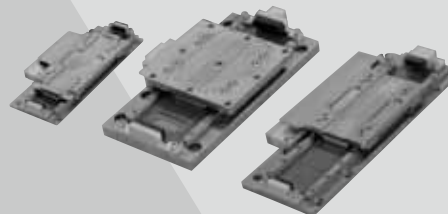
Limit Sensor Kits: SGTA-LSK□□□

Code	Description
PNO	PNP Normally Open
NNO	NPN Normally Open
NNC	NPN Normally Closed

Kit includes 1 sensor plus mounting screw.

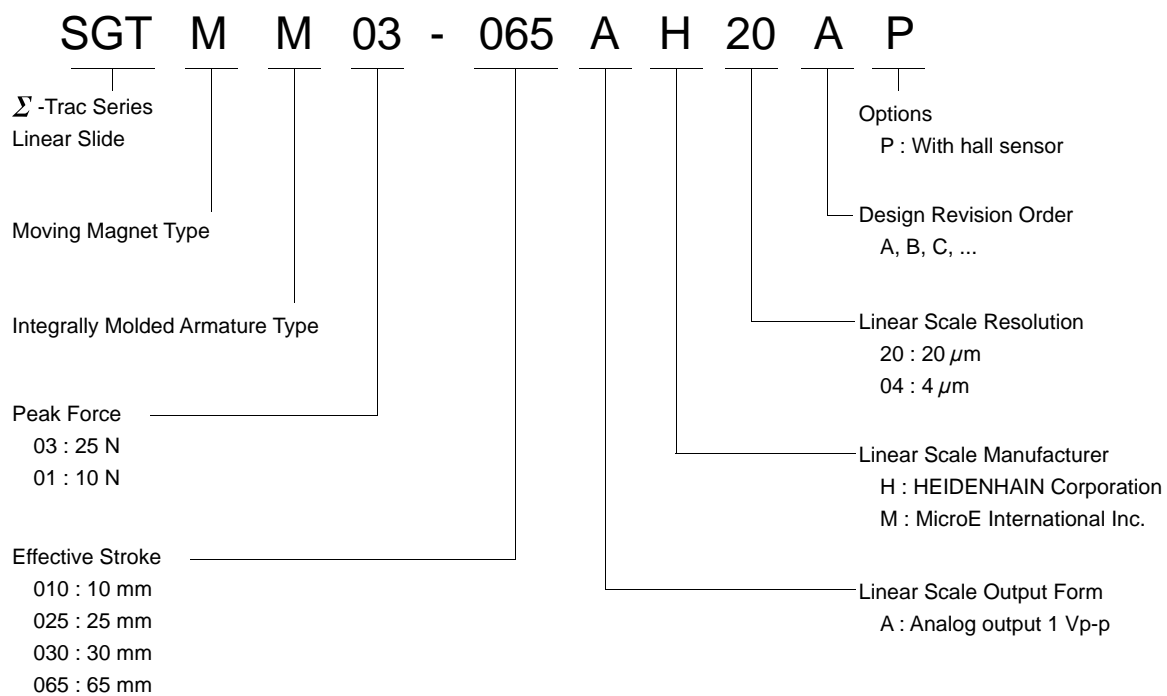
# Linear Slides

# $\Sigma$ -Trac- $\mu$



## Model Designation

(Global Support - Refer to Stock Status Definitions - page viii)



## Features

- Ultra-flat profile reduces floorspace requirements.
- For applications requiring short strokes (10 mm to 65 mm)
- Vibration-free transmission device enables high-precision positioning with a repetitive positioning accuracy of  $\pm 0.5 \mu\text{m}$  max.
- Locations of armature coils on fixed side of the stationary member reduce effects of heat on table or workpiece.

## Application Examples

- Semiconductor mounters
- Equipment for biomedical
- Optical testing devices

## Model Classification

(Global Support - Refer to Stock Status Definitions - page viii)

### ● Force

SERVOPACK (Three-phase 200 VAC) Model SGD V-		$\Sigma$ -Trac- $\mu$ Series Linear Slides				
100V	200V	Model	Force	10 N	20 N	30 N
R70F	R70A	SGTMM01				
R90F	R90A	SGTMM03				

Rated force    Peak force

### ● Stroke Length

Model	Stroke Length	50mm	100mm	150mm	200mm
SGTMM01	● 10 mm    ● 30 mm				
SGTMM03	● 25 mm    ● 65 mm				

# SGTMM Linear Slides

## ● Ratings and Specifications

Time Rating: Continuous

Insulation Resistance: 500 VDC, 10 MΩ min.

Ambient Temperature: 0°C to 40°C

Excitation: Permanent magnet

Dielectric Strength: 1500 VAC for one minute

Protection Method: Self-cooled

Ambient Humidity: 20% to 80% (no condensation)

Allowable Winding Temperature: 130°C (Thermal class B)

Linear Slide Model		SGTMM01-010AM20A	SGTMM01-030AM20A	SGTMM03-025AH20AP	SGTMM03-025AH04AP	SGTMM03-065AH20A□	SGTMM03-065AH04AP
Applicable SERVOPACK Model	SGDV-	R70F, R70A			R90F, R90A		
Applicable Serial Converter Unit Model	JZDP-	D003-242-E			D00□-221-E	D00□-220-E	
Rated Force	N	3.5	3.5	7	7	7	7
Peak Force	N	10	10	25	25	25	25
Force Constant	N/A <sub>rms</sub>	9	9	13.2	13.2	12.3	12.3
Motor Constant	N/√W	1.78	1.26	2.29	2.29	1.58	1.58
Maximum Payload <sup>1</sup>	kg	1	1	3	3	3	3
Effective Stroke	mm	10	30	25	25	65	65
Resolution	μm	0.078 (20 μm/256)			0.016 (4 μm/256)	0.078 (20 μm/256)	0.016 (4 μm/256)
Movable Member Mass	kg	0.1	0.1	0.215	0.215	0.19	0.19
Total Mass (excluding cables)	kg	0.35	0.31	0.62	0.62	0.63	0.63
Repeatability <sup>2</sup>	μm	±0.5	±0.5	±0.5	±0.5	±0.5	±0.5

\*1: Values obtained when the acceleration is 4.9 m/s<sup>2</sup>.

\*2: Values obtained when the ambient temperature is constant.

## ● Performance Curves

### ● Force - Speed

**A** : Continuous Duty Zone

**B** : Intermittent Duty Zone (Note)

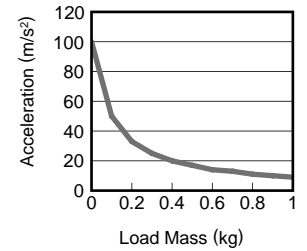
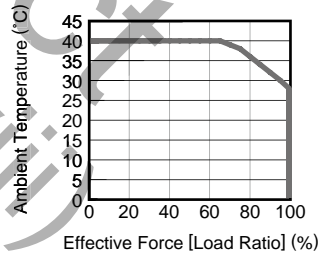
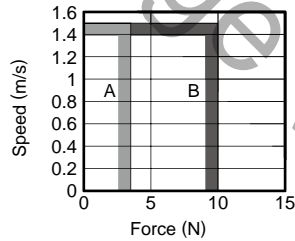
### ● Effective Force - Ambient Temperature

When the sensor temperature is 50 °C or less.

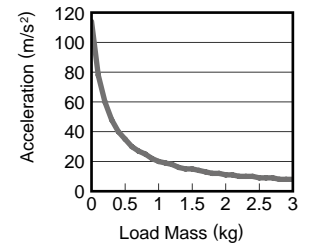
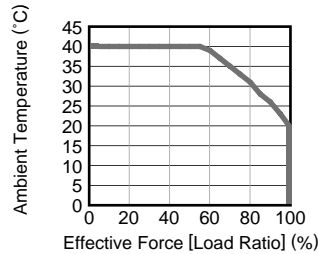
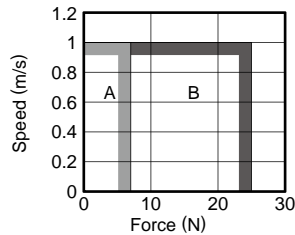
Ambient temperature

### ● Load Mass - Acceleration

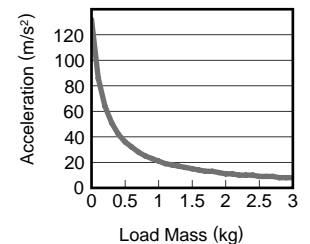
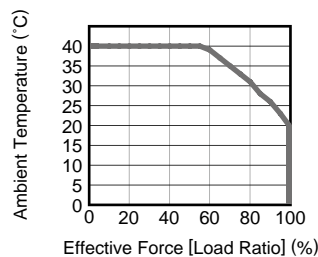
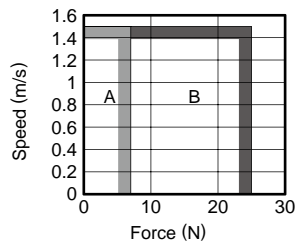
(1) SGTMM01



(2) SGTMM03-025



(3) SGTMM03-065

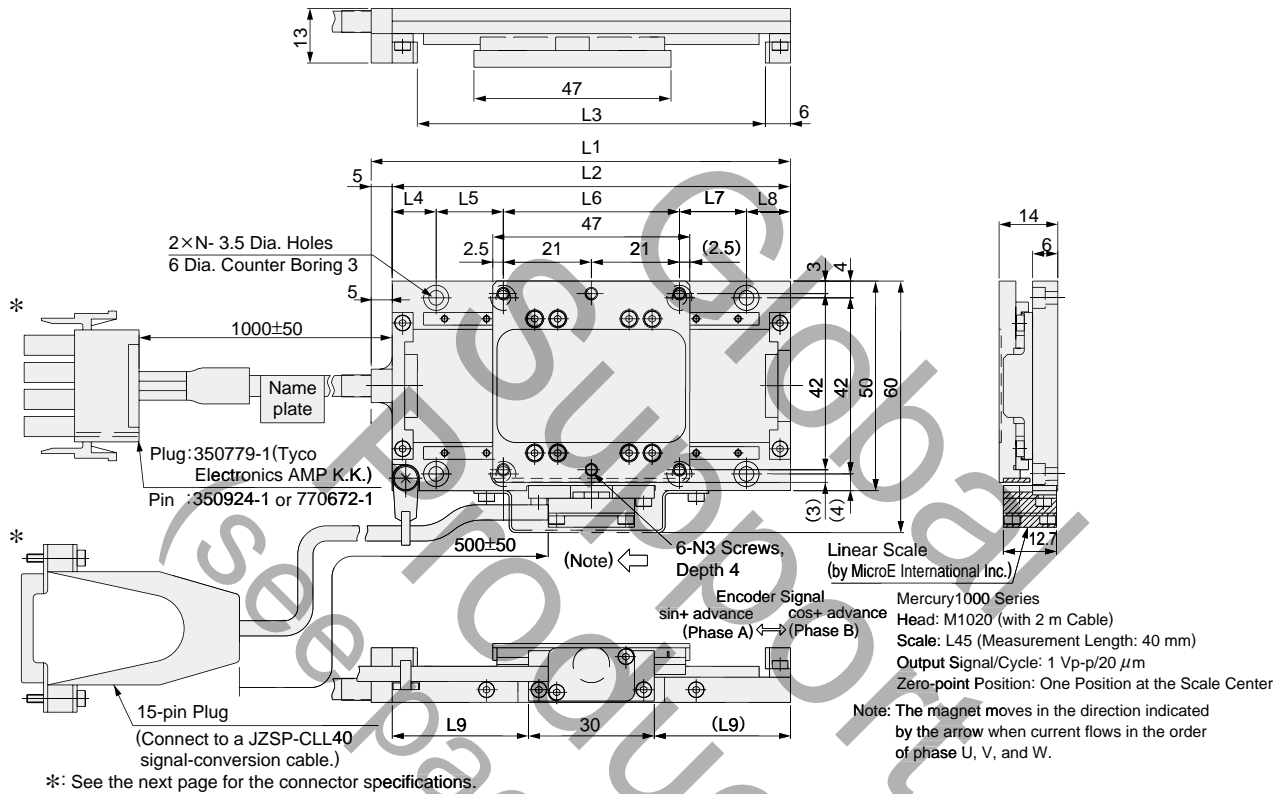


Note: When the effective force during intermittent duty is within the rated force, the servomotor can be used within the intermittent duty zone.

**SGTMM Linear Slides** Units: mm

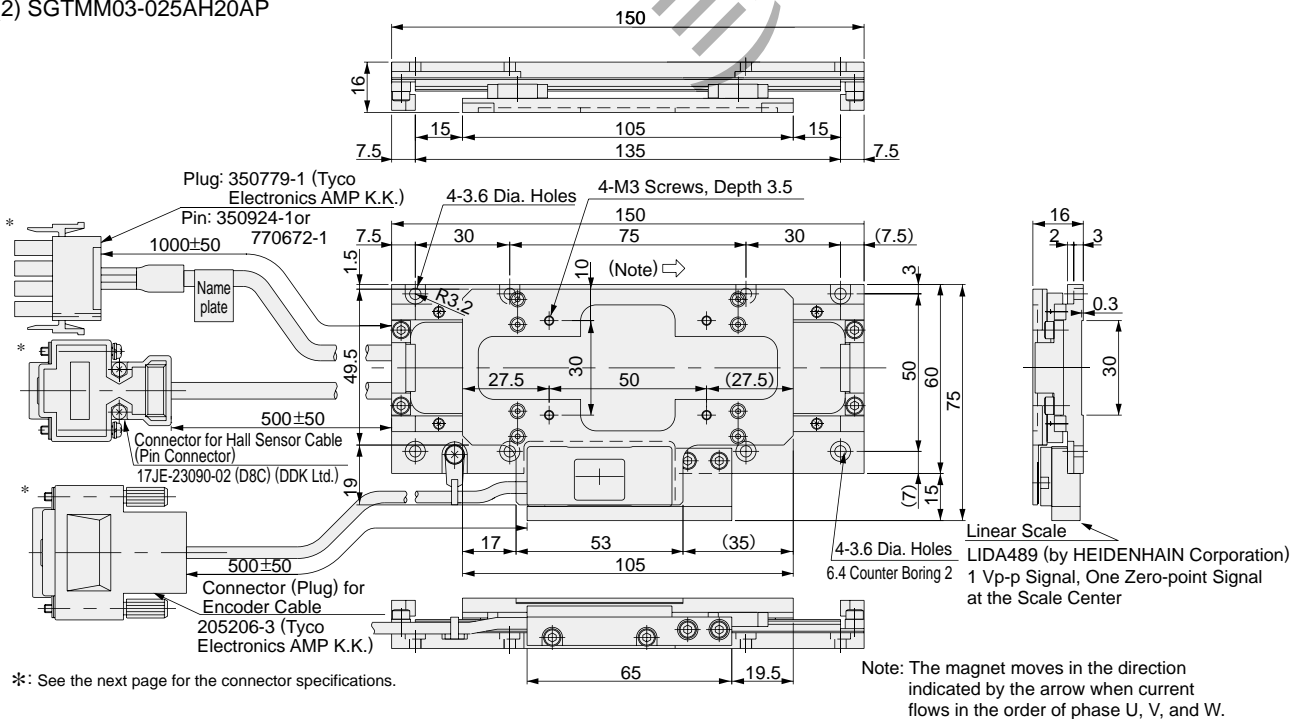
● External Dimensions

(1) SGTMM01



Linear Slide Model	L1	L2	L3	L4	L5	L6	L7	L8	L9	N
SGTMM01-	mm	mm	mm	mm	mm	mm	mm	mm	mm	
010AM20A	80	75	63	14	42	8	-	11	22.5	3
030AM20A	100	95	83	10.5	16	42	16	10.5	32.5	4

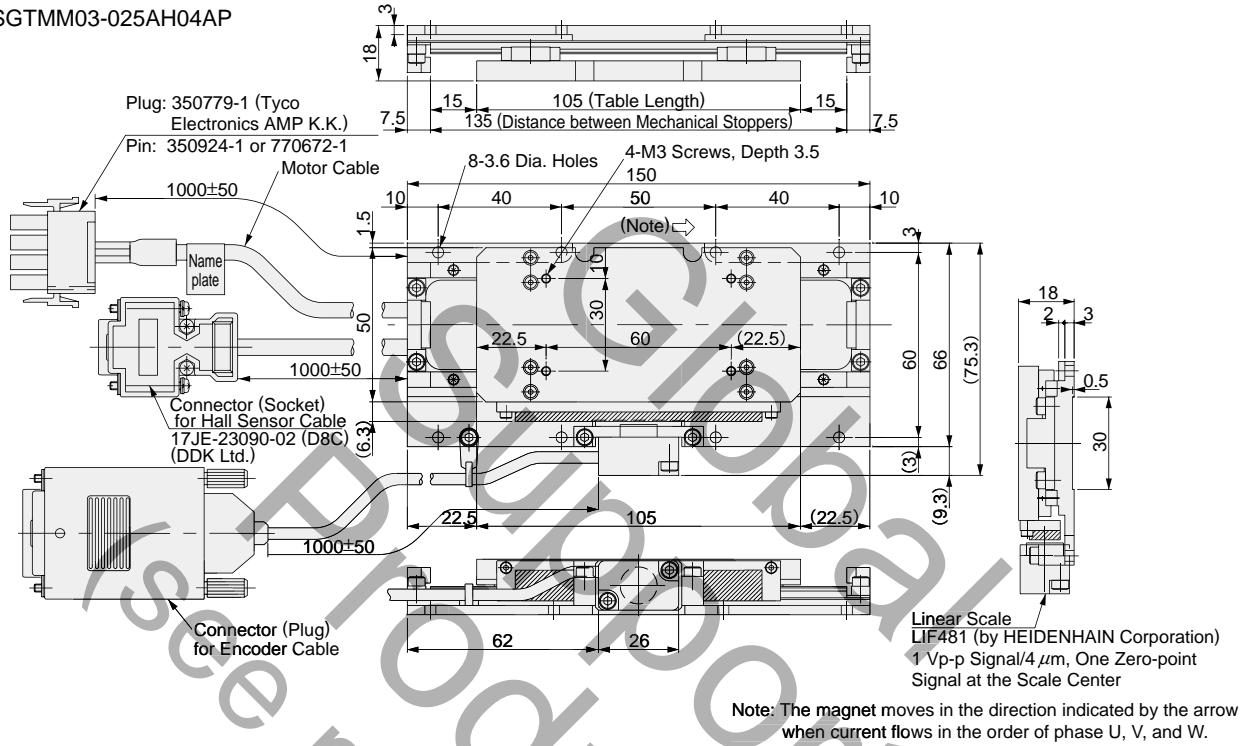
(2) SGTMM03-025AH20AP



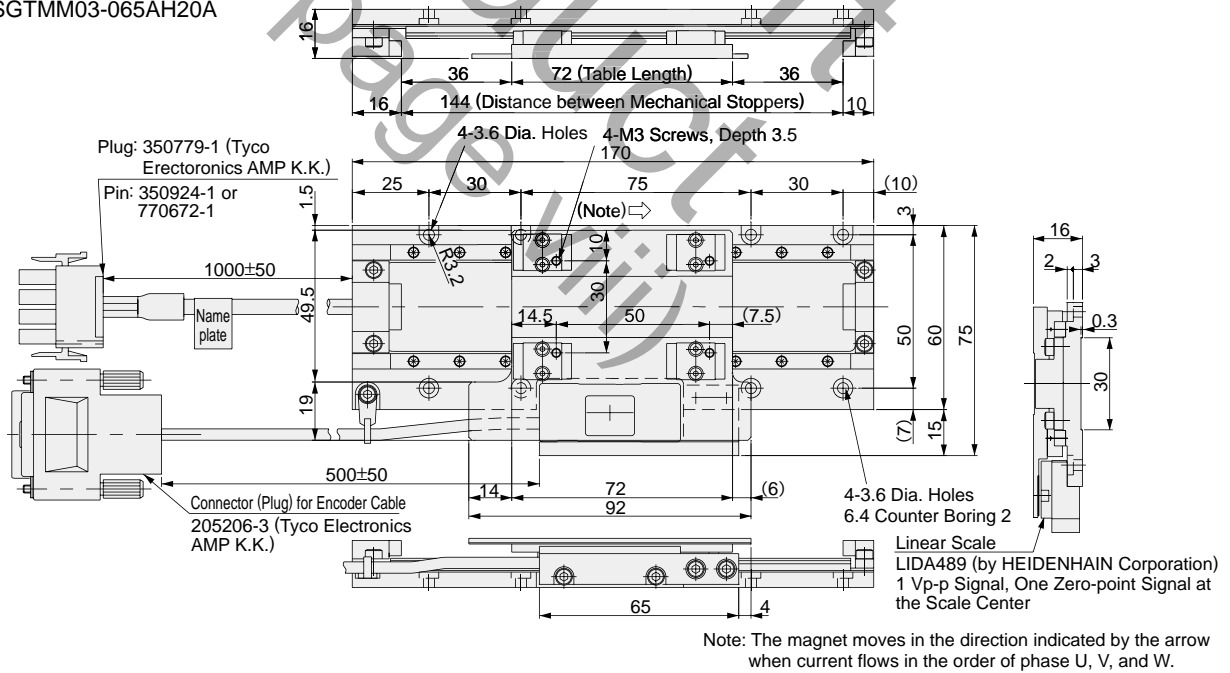
# SGTMM Linear Slides Units: mm

## External Dimensions

### (3) SGTMM03-025AH04AP



### (4) SGTMM03-065AH20A



## Connector Specifications for the Σ-Trac-μ Series of Linear Slides (All Models)

### For SGTMM01 Linear Sliders

#### For Motor Cable

Pin No.	Name	Lead Color
1	Phase U	Red
2	Phase V	White
3	Phase W	Blue
4	FG	Green

#### For Encoder Cable

Pin No.	Signal	Pin No.	Signal
1	IW-	9	N/C
2	IW+	10	N/C
3	Test	11	N/C
4	Transmit	12	+5 V
5	Receive	13	GND
6	Reset	14	Cos-
7	Cos+	15	Sin-
8	Sin+		

### For SGTMM03 Linear Sliders

#### For Motor Cable

Pin No.	Name	Lead Color
1	Phase U	Red
2	Phase V	White
3	Phase W	Blue
4	FG	Green

#### For Encoder Cable

Pin No.	Signal	Pin No.	Signal
1	Cos output (A+)	9	/Cos output (A-)
2	0 V	10	0 V sensor
3	Sin output (B+)	11	/Sin output (B-)
4	+5 V	12	5 V sensor
5	Not used	13	Not used
6	Not used	14	/Ref (R+)
7	/Ref (R-)	15	Not used
8	Not used	Case	Shield

#### For Hall Sensor Cable

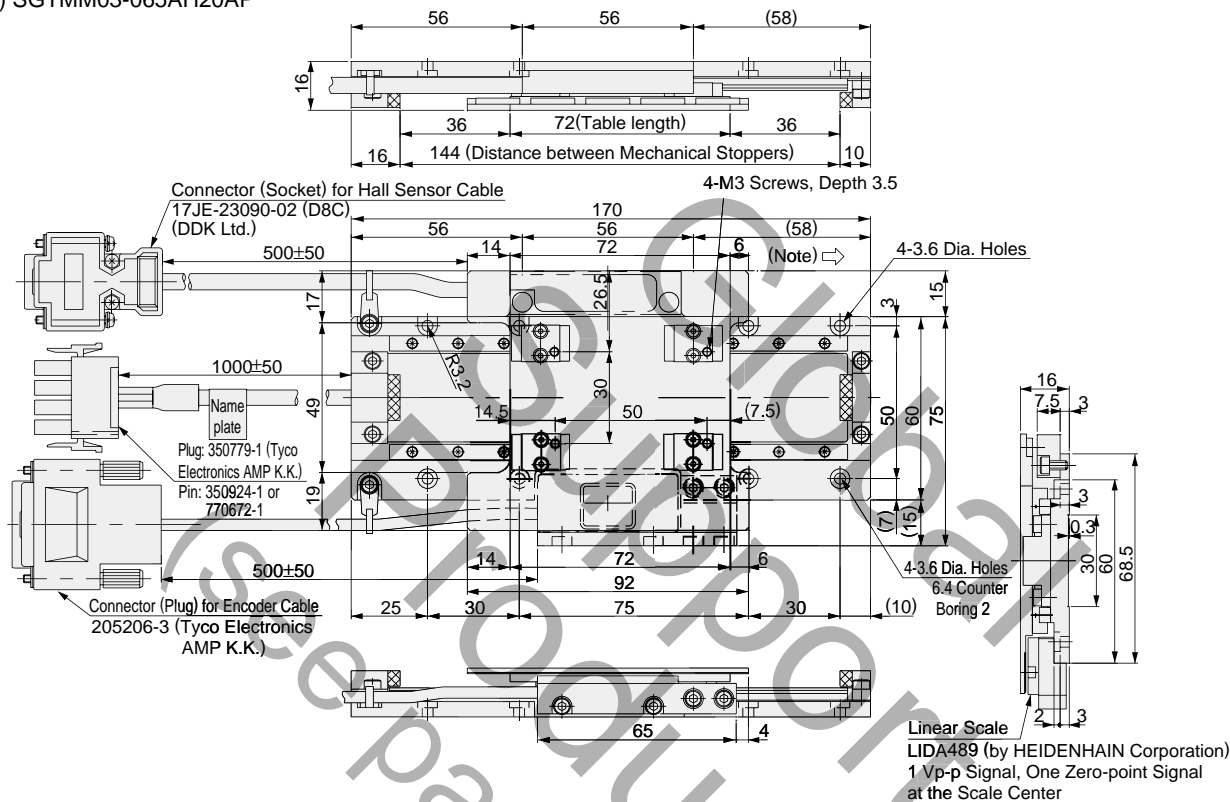
Pin No.	Signal
1	+5V (power supply)
2	Phase-U output
3	Phase-V output
4	Phase-W output
5	0V (power supply)
6	Not used
7	Not used
8	Not used
9	Not used



**SGTMM Linear Slides** Units: mm

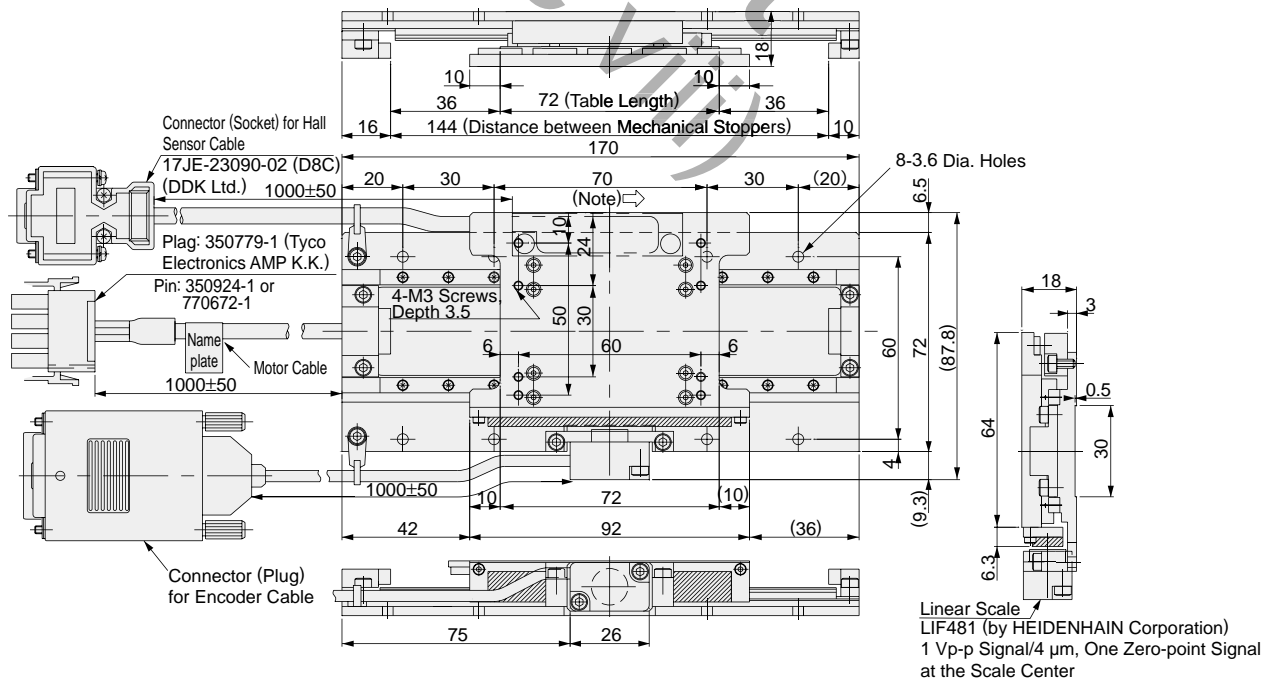
● External Dimensions

(5) SGTMM03-065AH20AP



Note: The magnet moves in the direction indicated by the arrow when current flows in the order of phase U, V, and W.

(6) SGTMM03-065AH04AP

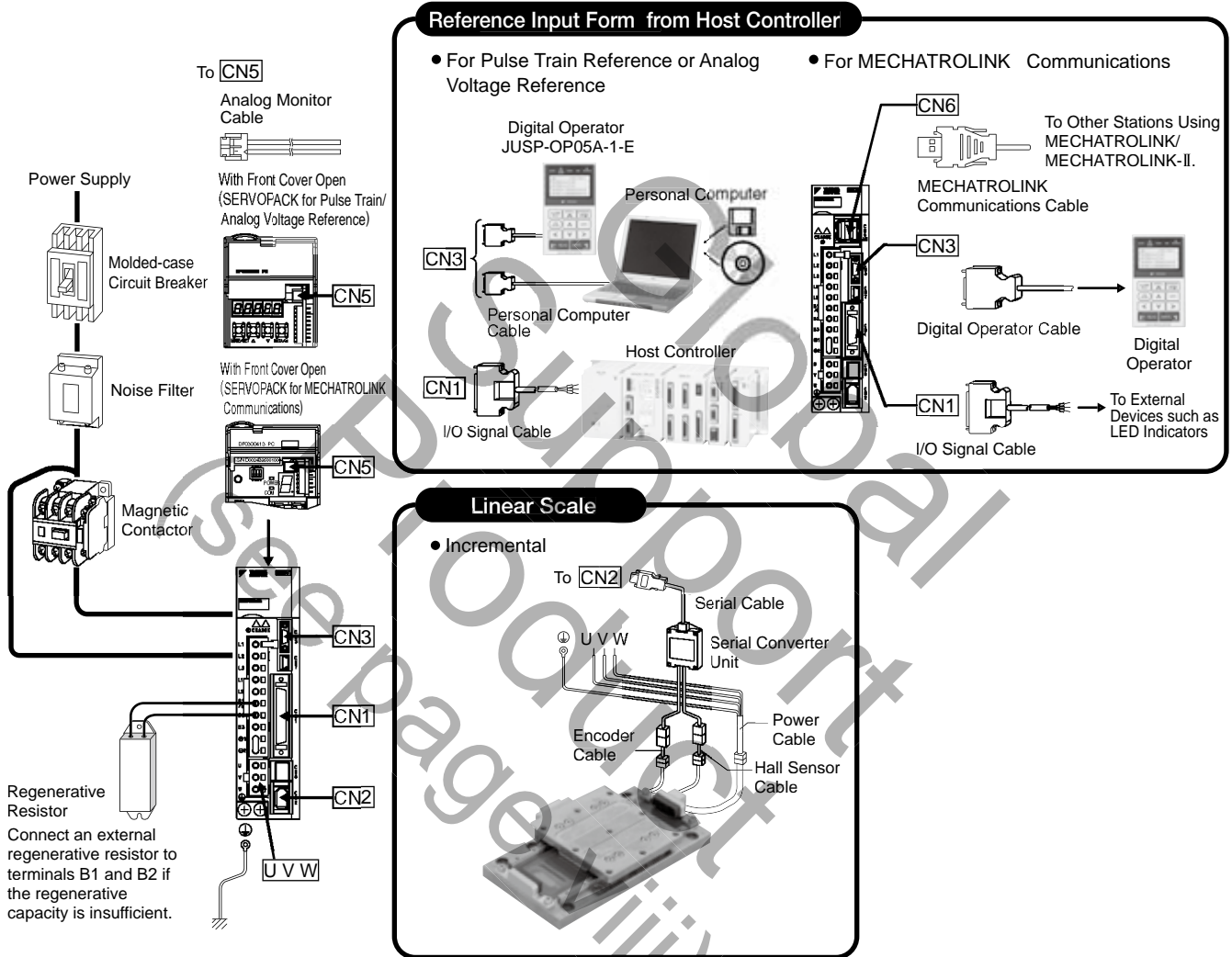


Note: The magnet moves in the direction indicated by the arrow when current flows in the order of phase U, V, and W.

Linear Slides

# Selecting Cables and Connectors

## ● Connection diagrams



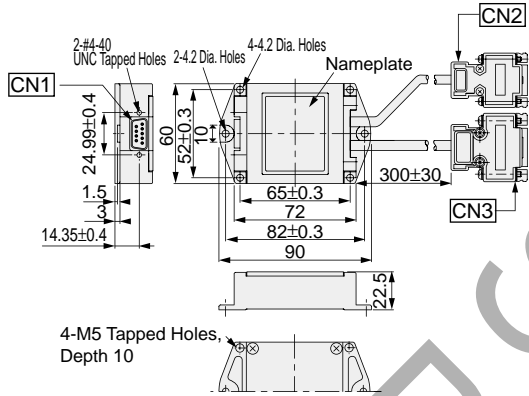
## ● Applicable Cables and Connectors

Motor Type	Linear Scale Type	Servo Drive		Motor Cable	Serial Converter Unit Model JZDP-	Linear Scale Connection Cables	
		$\Sigma$ -Trac- $\mu$ Series Model	SERVOPACK Model SGD-V Three-phase 200 V	SERVOPACK $\leftrightarrow$ Motor Power Cable (Flexible Type)		[CN2] $\leftrightarrow$ Serial Converter Unit Serial Cable (Flexible Type)	Serial Converter Unit $\leftrightarrow$ Linear Encoder Encoder Cable (Flexible Type)
Moving Magnet (MM)	Incremental	SGTMM01-010AM20A	R70A	JZSP-CLN11-□□-E	D003-242-E	JZSP-CLP70-□□-E (The numbers in the boxes (□□) indicates the cable length. 01 = 1 m 03 = 3 m 05 = 5 m 10 = 10 m 15 = 15 m 20 = 20 m	JZSP-CLL00-□□-E (The numbers in the boxes (□□) indicates the cable length. 01 = 1 m 03 = 3 m 05 = 5 m 10 = 10 m 15 = 15 m Note: For SGTMM01 linear Slides, a JZSP-CLL40-E cable (length: 0.2 m) is also required.
		SGTMM01-030AM20A	R70A	JZSP-CLN11-□□-E	D003-242-E		
		SGTMM03-025AH20AP	R90A	JZSP-CLN11-□□-E	D006-221-E		
		SGTMM03-025AH04AP	R90A	JZSP-CLN11-□□-E	D006-221-E		
		SGTMM03-065AH20A	R90A	JZSP-CLN11-□□-E	D003-220-E		
		SGTMM03-065AH20AP	R90A	JZSP-CLN11-□□-E	D006-220-E		
		SGTMM03-065AH04AP	R90A	JZSP-CLN11-□□-E	D006-220-E		

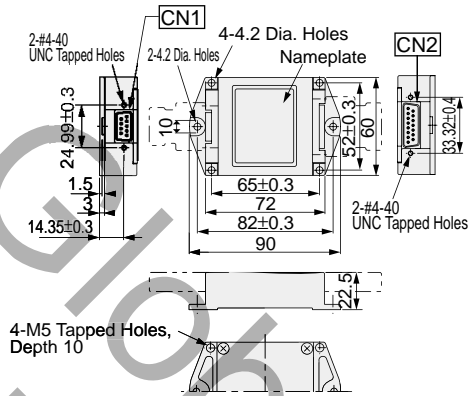
Selecting Cables and Connectors

● Detail Drawings: Serial Converter Units for Linear Scales by HEIDENHAIN Corporation

● JZDP-D006-□□□-E  
(With Hall Sensor Cable)



● JZDP-D003-□□□-E  
(Without Hall Sensor Cable)



● Details on Connectors

**CN1**

SERVOPACK End  
Serial Data Output 6  
by DDK Ltd.  
17-series Connector:  
17LE-13090-27-FA  
(Socket)

Pin No.	Signal	Pin No.	Signal
1	+5V	6	Phase-S output
2	Phase-S output	7	Not used
3	Not used	8	Not used
4	Not used	9	Not used
5	0V	Case	Shield

**CN2**

Linear Scale End  
Analog Signal Input  
by DDK Ltd.  
17-series Connector:  
17JE-13150-02 (D8C)A-CG  
(Socket)

Pin No.	Signal	Pin No.	Signal
1	cos input (A+)	9	/cos input (A-)
2	0V	10	0 V sensor
3	sin input (B+)	11	/sin input (B-)
4	+5V	12	5 V sensor
5	Not used	13	Not used
6	Not used	14	Ref input (R+)
7	/Ref input (R-)	15	Not used
8	Not used	Case	Shield

**CN3**

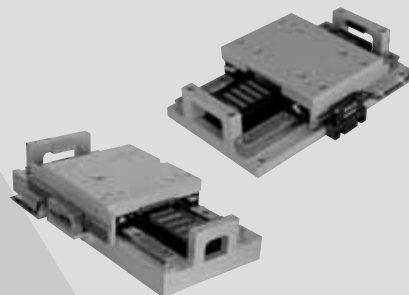
Linear Servomotor End  
Hall Sensor Signal Input  
by DDK Ltd.  
17-series Connector:  
17JE-13090-02(D8C) A-CG  
(Socket)

Pin No.	Signal	Pin No.	Signal
1	+5V	6	Not used
2	Phase-U input	7	Not used
3	Phase-V input	8	Not used
4	Phase-W input	9	Not used
5	0V	Case	Shield

Serial Converter Unit+Hall Sensor	Pulse Train or Analog Voltage Reference			MECHATROLINK Communications			Cables for Setting Devices/Monitors	
	I/O Signal Connector [CN1]			I/O Signal Connector [CN1]			[CN3]+Setting Devices	[CN5]
Hall Sensor Cable (Flexible Type)	Connector Terminal Block Converter Unit	Cable with Loose Wires at One End	Connector Kit [CN1]	Connector Terminal Block Converter Cable	Connector Kit [CN1]	MECHATROLINK Communications Connector [CN6A] or [CN6B]	Personal Computer Cable	Analog Monitor Cable
JZSP-CLL10-□□□-E The numbers in the boxes (□□) indicates the cable length. 01 = 1 m 03 = 3 m 05 = 5 m 10 = 10 m 15 = 15 m	JJSP-TA50PG-E (with a 0.5 m cable)	JZSP-CSI01-□□-E The number in the box (□) indicates the cable length. 1 = 1 m 2 = 2 m 3 = 3 m	JZSP-CSI9-1-E	JZSP-TA26P-□□-E	JZSP-CSI9-2-E (DE9411354)	MECHATROLINK communications cable: JEPMC-W6002-□□□-E The numbers in the boxes (□□) indicates the cable length. A5 = 0.5 m    20 = 20 m 01 = 1 m      30 = 30 m 03 = 3 m      40 = 40 m 05 = 5 m      50 = 50 m 10 = 10 m MECHATROLINK terminator: JEPMC-W6022-E	JZDP-CMS02-E (2m)	JZSP-CA01-E (1m)

# Linear Slides

# $\Sigma$ -Trac-MAG



## Model Designation

(Global Support - Refer to Stock Status Definitions - page viii)

### ● With Incremental Linear Scales

**SGT M F4 A - 027 A H 20 A**

$\Sigma$ -Trac Series

Linear Slide

Moving Magnet Type

Armature Code  
(Armature not integrally mounted)

F4 : SGLFW-35A230A-F  
F5 : SGLFW-50A380A-F

Table Length

A : Short  
B : Long

Armature Code	Table Length	Effective Stroke	Armature Code	Table Length	Effective Stroke
F4	A	100 mm	F5	A	185 mm
	B	65 mm		B	110 mm

Design Revision Order  
A, B, C

Linear Scale Resolution  
20 : 20  $\mu$ m

Linear Scale Manufacturer  
H : HEIDENHAIN Corporation

Linear Scale Output Form  
A : Analog output 1 Vp-p

Peak Force

027 : 270 N  
036 : 360 N  
054 : 540 N  
072 : 720 N

### ● With Absolute (ABS) Linear Scales

**SGT M F4 A - 027 ABS 1 A**

$\Sigma$ -Trac Series

Linear Slide

Moving Magnet Type

Armature Code  
(Armature not integrally mounted)

F4 : SGLFW-35A230A-F  
F5 : SGLFW-50A380A-F

Table Length

A : Short  
B : Long

Armature Code	Table Length	Effective Stroke	Armature Code	Table Length	Effective Stroke
F4	A	100 mm	F5	A	185 mm
	B	65 mm		B	110 mm

Design Revision Order  
A, B, C

Linear Scale Specifications

1 : ST781A (by Mitutoyo Corporation,  
resolution: 0.5  $\mu$ m)  
2 : ST783A (by Mitutoyo Corporation,  
resolution: 0.1  $\mu$ m)

With an absolute linear scale

Peak Force

027 : 270 N  
036 : 360 N  
054 : 540 N  
072 : 720 N

## Features

- Optimum drive for high-acceleration and high-tact operations because of its lightweight moving member.
- For short strokes (65 mm to 185 mm)
- Cooling units (pipes, etc.) for forced-air or liquid cooling systems can be placed on the fixed side.
- Linear scale options: Incremental or absolute.
- Improved stroke efficiency\*

\*:Ratio of effective stroke to the total length of drive system

## Model Classification

(Global Support - Refer to Stock Status Definitions - page viii)

### ● Force

SERVOPACK (Three-phase 200 VAC) Model SGD V-		Σ-Trac-MAG Series Linear Slides							
100V	200V	Model	Force	200 N	400 N	600 N	800 N	1000 N	
2R1F	1R6A	SGTMF4A-027							
2R1F	1R6A	SGTMF4B-036							
5R5A		SGTMF5A-054							
5R5A		SGTMF5B-072							

### ● Stroke Length

Model	Stroke Length	50 mm	100 mm	150 mm	200 mm
SGTMF4A-027			● 100 mm		
SGTMF4B-036		● 65 mm			
SGTMF5A-054					● 185 mm
SGTMF5B-072			● 110 mm		

# SGTMF4 Linear Slides

## ● Ratings and Specifications

Time Rating: Continuous  
 Insulation Resistance: 500 VDC, 10 MΩ min.  
 Ambient Temperature: 0°C to 40°C  
 Excitation: Permanent magnet

Dielectric Strength: 1500 VAC for one minute  
 Protection Methods: Self-cooled  
 Ambient Humidity: 20% to 80% (no condensation)  
 Allowable Winding Temperature: 130°C (Thermal class B)

Linear Slide Model		With Incremental Linear Scales		With Absolute Linear Scales	
		SGTMF4A-027AH20A	SGTMF4B-036AH20A	SGTMF4A-027ABS1A	SGTMF4B-036ABS1A
Applicable SERVOPACK Model	SGDV-	2R1F, 1R6A			
Applicable Serial Converter Unit Model	JZDP-	D003-243-E	D003-244-E	-	-
Rated Force	N	90	120	90	120
Peak Force	N	270	360	270	360
Force Constant	N/A <sub>rms</sub>	66.9	89.2	66.9	89.2
Motor Constant	N/√W	11	14.6	11	14.6
Maximum Payload <sup>1</sup>	kg	40	55	40	55
Effective Stroke	mm	100	65	100	65
Resolution	μm	Incremental encoder: 0.078 (20 μm/256)		Absolute encoder <sup>3</sup> : 0.5	
Movable Member Mass	kg	1.72	2.52	1.72	2.52
Total Mass (excluding cables)	kg	6.8	8.05	6.8	8.05
Repeatability <sup>2</sup>	μm	±1.0	±1.0	±1.0	±1.0

\*1: Values obtained when the acceleration is 4.9 m/s<sup>2</sup>.

\*2: Values obtained when the ambient temperature is constant.

\*3: An absolute encoder with a resolution of 0.1 μm is also available. Contact your Yaskawa representative for details.

## ● Performance Curves

### ● Force - Speed

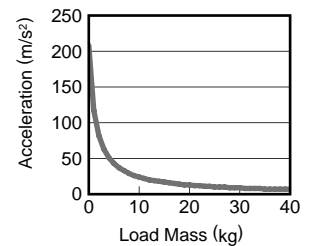
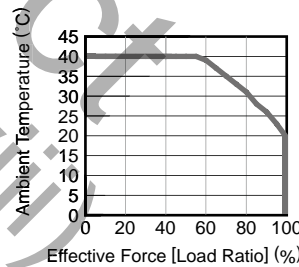
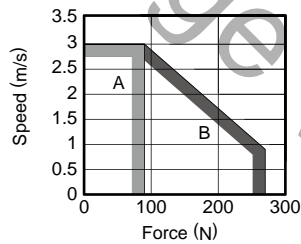
### ● Effective Force - Ambient Temperature

### ● Load Mass - Acceleration

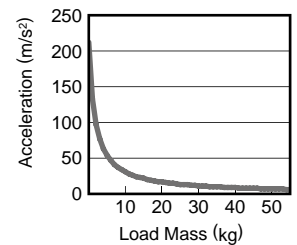
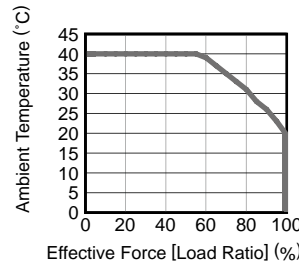
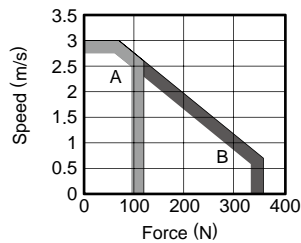
**A**: Continuous Duty Zone  
**B**: Intermittent Duty Zone (Note)

When the sensor temperature is 50 °C or less  
 — Ambient temperature

(1) SGTMF4A-027



(2) SGTMF4B-036

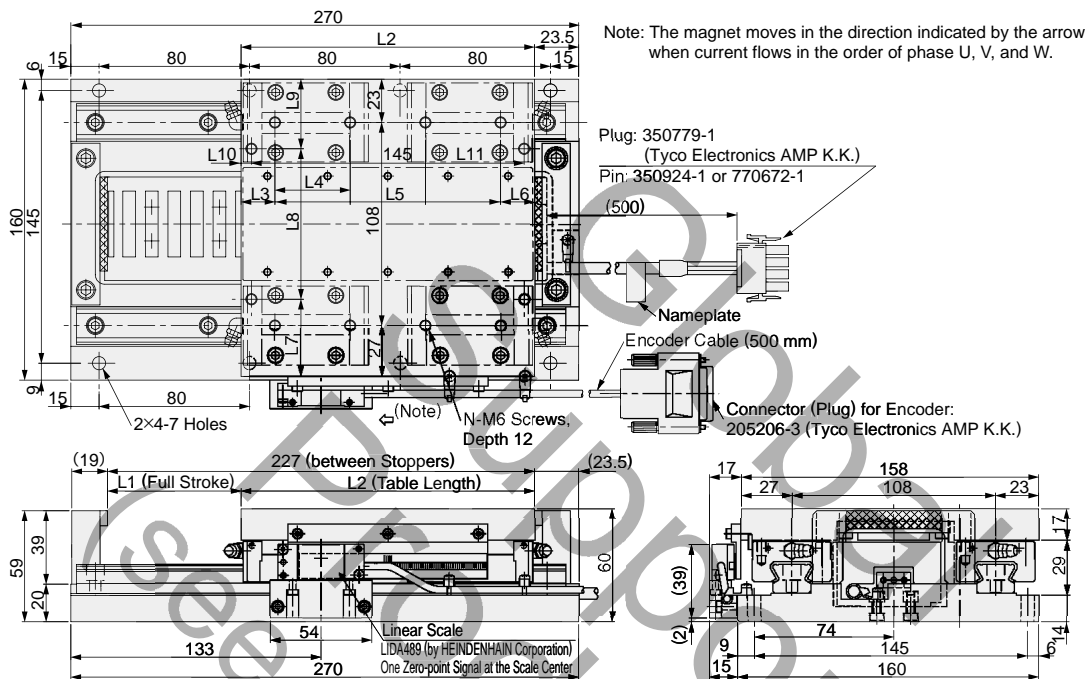


Note: When the effective force during intermittent duty is within the rated force, the servomotor can be used within the intermittent duty zone.

**SGTMF4 Linear Slides** Units: mm

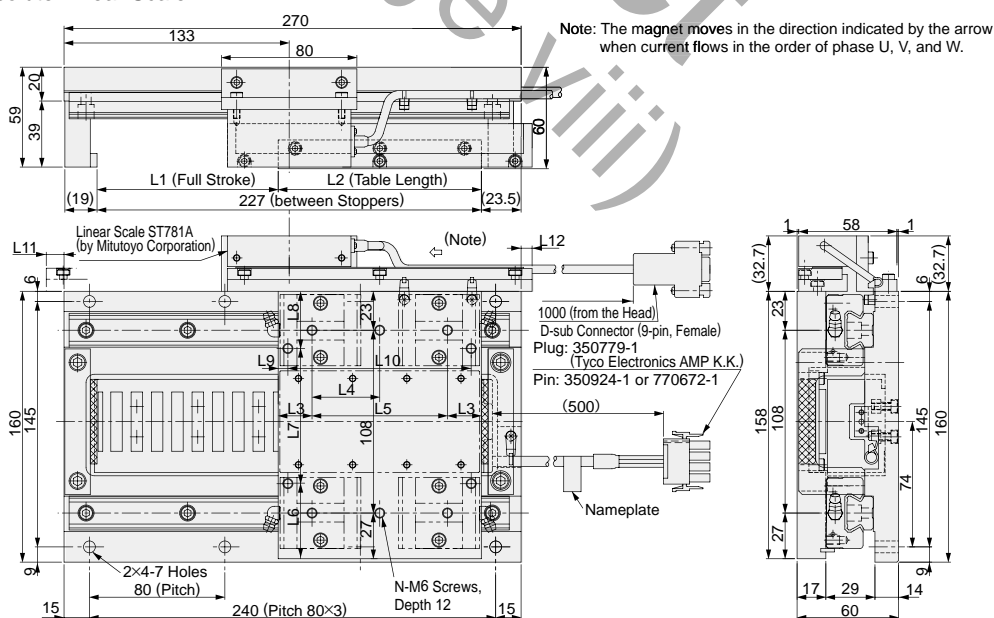
● External Dimensions

● With Incremental Linear Scale



Linear Slide Model	L1	L2	L3	L4	L5	L6	L7	L8	L9	L10	L11	N
SGTMF	mm	mm	mm	mm	mm	mm	mm	mm	mm	mm	mm	
4A-027AH20A	107	120	20	40	80	20	-	-	-	-	-	6
4B-036AH20A	71	156	18	40	120	18	41	80	37	5.5	145	12

● With Absolute Linear Scale



Linear Slide Model	L1	L2	L3	L4	L5	L6	L7	L8	L9	L10	L11	L12	N
SGTMF	mm	mm	mm	mm	mm	mm	mm	mm	mm	mm	mm	mm	
4A-027ABS1A	107	120	20	40	80	-	-	-	-	-	10.5	6.5	6
4B-036ABS1A	71	156	18	40	120	41	80	37	5.5	145	-	-	12

Linear Slides

# SGTMF5 Linear Slides

## ● Ratings and Specifications

Time Rating: Continuous

Insulation Resistance: 500 VDC, 10 MΩ min.

Ambient Temperature: 0°C to 40°C

Excitation: Permanent magnet

Dielectric Strength: 1500 VAC for one minute

Protection Methods: Self-cooled

Ambient Humidity: 20% to 80% (no condensation)

Allowable Winding Temperature: 130°C (Thermal class B)

Linear Slide Model		With Incremental Linear Scales		With Absolute Linear Scales	
		SGTMF5A-054AH20A	SGTMF5B-072AH20A	SGTMF5A-054ABS1A	SGTMF5B-072ABS1A
Applicable SERVOPACK Model	SGDV-	5R5A	5R5A	5R5A	5R5A
Applicable Serial Converter Unit Model	JZDP-	D003-245-E	D003-246-E	-	-
Rated Force	N	150	200	150	200
Peak Force	N	540	720	540	720
Force Constant	N/A <sub>rms</sub>	59.4	79.1	59.4	79.1
Motor Constant	N/√W	18.5	24.7	18.5	24.7
Maximum Payload <sup>1</sup>	kg	85	110	85	110
Effective Stroke	mm	185	110	185	110
Resolution	μm	Incremental encoder: 0.078 (20 μm/256)		Absolute encoder <sup>3</sup> : 0.5	
Movable Member Mass	kg	4.2	6.84	4.2	6.84
Total Mass (excluding cables)	kg	19.8	22.5	19.8	22.5
Repeatability <sup>2</sup>	μm	±1.0	±1.0	±1.0	±1.0

\*1: Values obtained when the acceleration is 4.9 m/s<sup>2</sup>.

\*2: Values obtained when the ambient temperature is constant.

\*3: An absolute encoder with a resolution of 0.1 μm is also available. Contact your Yaskawa representative for details.

## ● Performance Curves

### ● Force - Speed

### ● Effective Force - Ambient Temperature

### ● Load Mass - Acceleration

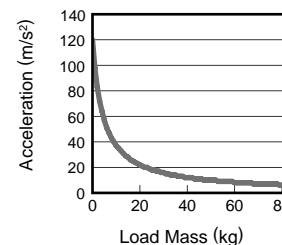
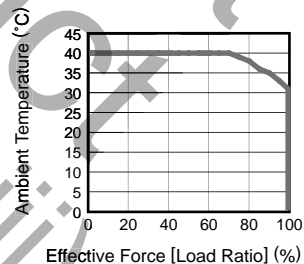
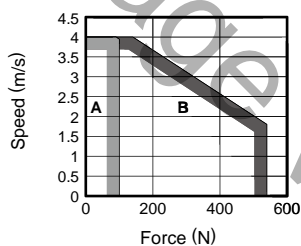
**A** : Continuous Duty Zone

**B** : Intermittent Duty Zone (Note)

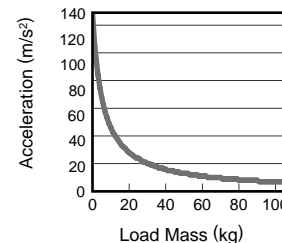
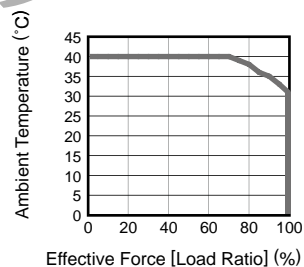
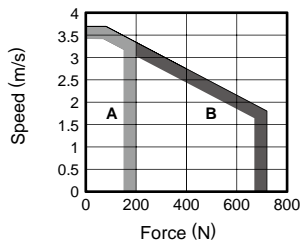
When the sensor temperature is 50 °C or less

— Ambient temperature

(1) SGTMF5A-054



(2) SGTMF5B-072



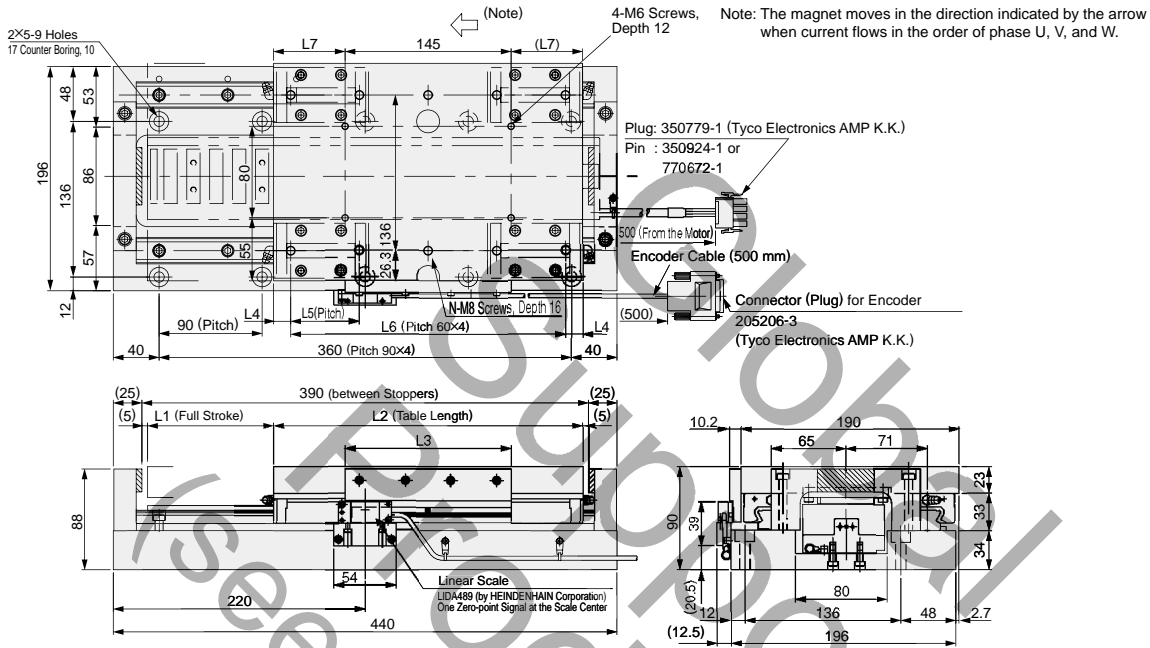
Note: When the effective force during intermittent duty is within the rated force, the servomotor can be used within the intermittent duty zone.



**SGTMF5 Linear Slides** Units: mm

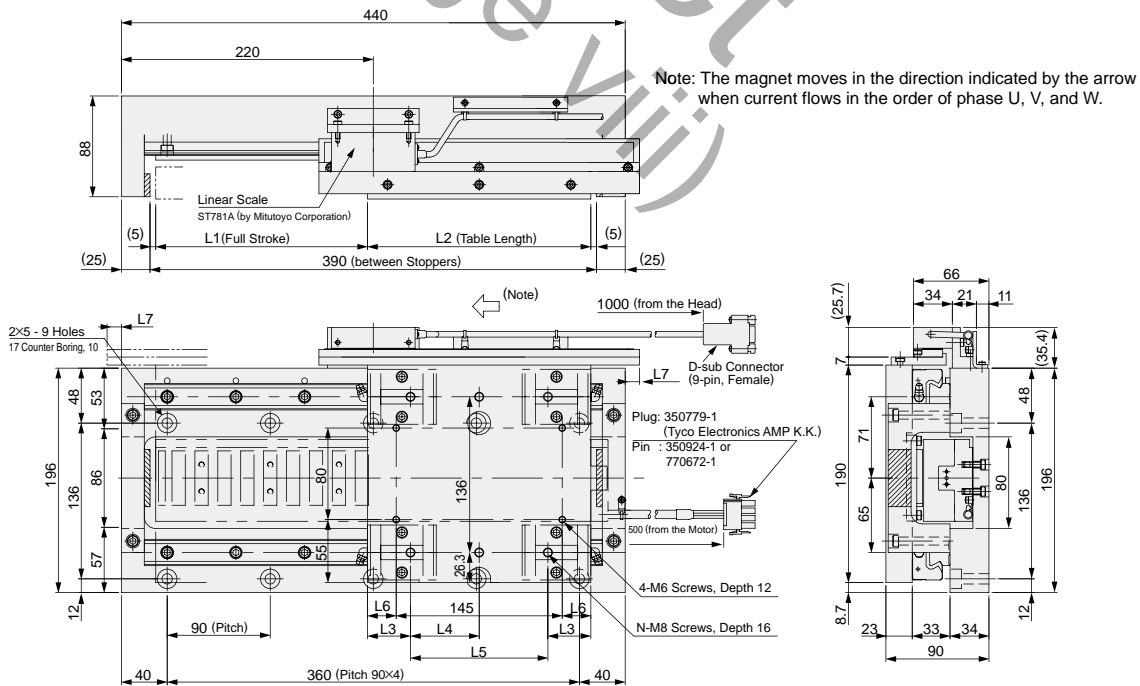
● External Dimensions

● With Incremental Linear Scale



Linear Slide Model	L1	L2	L3	L4	L5	L6	L7	N
SGTMF	mm	mm	mm	mm	mm	mm	mm	
5A-054AH20A	185	195	220	37.5	60	120	25	6
5B-072AH20A	110	270	145	15	60	240	62.5	10

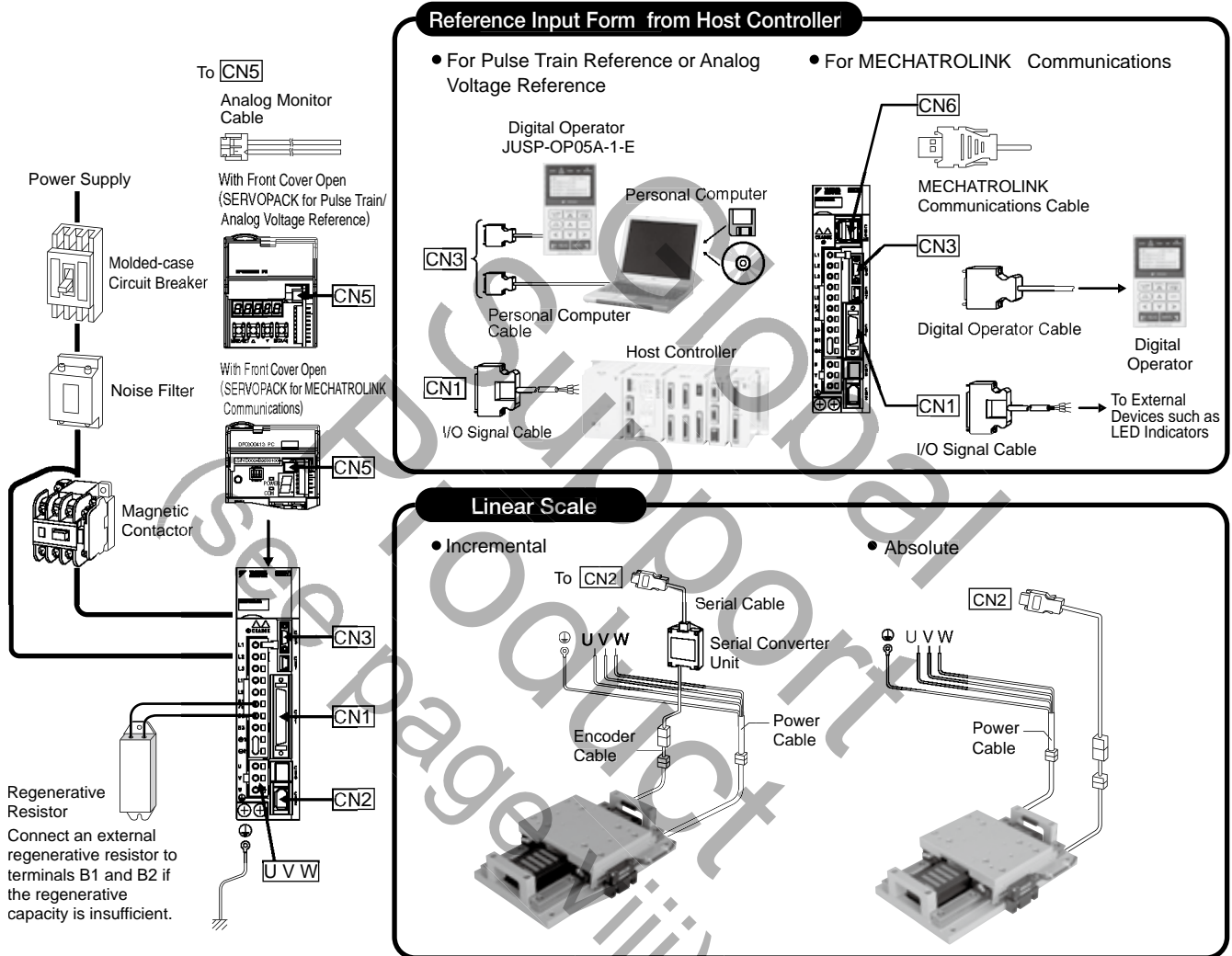
● With Absolute Linear Scale



Linear Slide Model	L1	L2	L3	L4	L5	L6	L7	N
SGTMF	mm	mm	mm	mm	mm	mm	mm	
5A-054ABS1A	185	195	37.5	60	120	25	12.5	6
5B-072ABS1A	110	270	15	60	240	62.5	-	10

# Selecting Cables and Connectors

## ● Connection diagrams



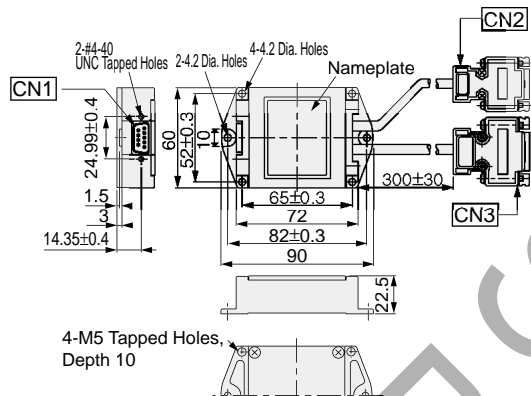
## ● Applicable Cables and Connectors

Motor Type	Linear Scale Type	Servo Drive		Motor Cable	Linear Scale Connection Cables		
		SERVOPACK Model SGDV-	SERVOPACK ↔ Motor	Serial Converter Unit Model JZDP-	[CN2] ↔ Serial Converter Unit	Serial Converter Unit ↔ Linear Encoder	
		Σ-Trac-MAG Series Model	Three-phase 200 V	Power Cable (Flexible Type)		Serial Cable (Flexible Type)	Encoder Cable (Flexible Type)
Moving Magnet (MM)	Incremental	SGTMF4A-027AH20A	1R6A	JZSP-CLN11-□□-E	D003-243-E	JZSP-CLP70-□□-E The numbers in the boxes(□□) indicates the cable length. 01 = 1 m 03 = 3 m 05 = 5 m 10 = 10 m 15 = 15 m 20 = 20 m	JZSP-CLL00-□□-E The numbers in the boxes(□□) indicates the cable length. 01 = 1 m 03 = 3 m 05 = 5 m 10 = 10 m 15 = 15 m
		SGTMF4B-036AH20A	1R6A	JZSP-CLN11-□□-E	D003-244-E		
		SGTMF5A-054AH20A	5R5A	JZSP-CLN21-□□-E	D003-245-E		
		SGTMF5B-072AH20A	5R5A	JZSP-CLN21-□□-E	D003-246-E		
	Absolute	SGTMF4A-027ABS1A	1R6A	JZSP-CLN11-□□-E	—	JZSP-CLP70□□-E [CN2] ↔ Linear Scale	—
		SGTMF4B-036ABS1A	1R6A	JZSP-CLN11-□□-E	—		
		SGTMF5A-054ABS1A	5R5A	JZSP-CLN21-□□-E	—		
		SGTMF5B-072ABS1A	5R5A	JZSP-CLN21-□□-E	—		

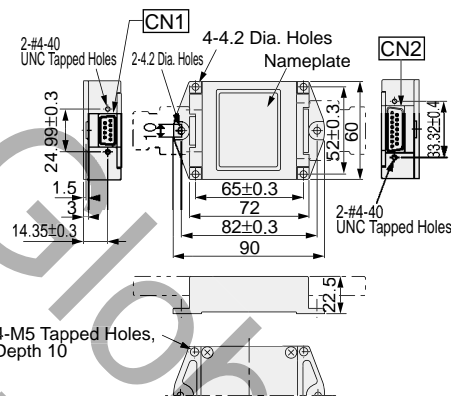
**Selecting Cables and Connectors**

● **Detail Drawings: Serial Converter Units for Linear Scales by HEIDENHAIN Corporation**

● **JZDP-D006-□□□-E**  
(With Hall Sensor Cable)



● **JZDP-D003-□□□-E**  
(Without Hall Sensor Cable)



● **Details on Connectors**

**CN1**

SERVOPACK End  
Serial Data Output 6  
by DDK Ltd.  
17-series Connector:  
17LE-13090-27-FA  
(Socket)



Pin No.	Signal	Pin No.	Signal
1	+5V	6	Phase-S output
2	Phase-S output	7	Not used
3	Not used	8	Not used
4	Not used	9	Not used
5	0V	Case	Shield

**CN2**

Linear Scale End  
Analog Signal Input  
by DDK Ltd.  
17-series Connector:  
17JE-13150-02 (D8C)A-CG  
(Socket)



Pin No.	Signal	Pin No.	Signal
1	cos input (A+)	9	/cos input (A-)
2	0V	10	0 V sensor
3	sin input (B+)	11	sin input (B-)
4	+5V	12	5 V sensor
5	Not used	13	Not used
6	Not used	14	Ref input (R+)
7	/Ref input (R-)	15	Not used
8	Not used	Case	Shield

**CN3**

Linear Servomotor End  
Hall Sensor Signal Input  
by DDK Ltd.  
17-series Connector:  
17JE-13090-02(D8C)A-CG  
(Socket)



Pin No.	Signal	Pin No.	Signal
1	+5V	6	Not used
2	Phase-U input	7	Not used
3	Phase-V input	8	Not used
4	Phase-W input	9	Not used
5	0V	Case	Shield

Pulse Train or Analog Voltage Reference			MECHATROLINK Communications				Cables for Setting Devices/Monitors	
I/O Signal Connector [CN1]			I/O Signal Connector [CN1]		MECHATROLINK Communications Connector [CN6A] or [CN6B]		[CN3]**Setting Devices	[CN5]
Connector Terminal Block Converter Unit	Cable with Loose Wires at One End	Connector Kit [CN1]	Connector Terminal Block Converter Cable	Connector Kit [CN1]			Personal Computer Cable	Analog Monitor Cable
JZSP-TA50PG-E (with a 0.5 m cable)	JZSP-CS101-□-E (The number in the box □ indicates the cable length. 1 = 1 m 2 = 2 m 3 = 3 m)	JZSP-CS19-1-E	JZSP-TA26P-□-E	JZSP-CS19-2-E (DE9411354)	MECHATROLINK communications cable: JEPMC-W6002-□□-E (The numbers in the boxes □□ indicates the cable length. A5 = 0.5 m    20 = 20 m 01 = 1 m      30 = 30 m 03 = 3 m      40 = 40 m 05 = 5 m      50 = 50 m 10 = 10 m MECHATROLINK terminator: JEPMC-W6022-E		JZDP-CMS02-E (2 m)	JZSP-CA01-E (1 m)

# Analog Voltage/Pulse Train Reference Type SERVOPACKs

## SGDV-□□□□01

(For Rotary Servomotors)

## SGDV-□□□□05

(For Linear Servomotors)



### Model Designations

SGDV - R70 A 01 A □

Σ-V Series  
SGDV SERVOPACK

Current

Options

Code	Specifications
Blank	Base-mounted (standard)
001000	Rack-mounted*

\*: SGDV-470A, -550A, -590A, -780A SERVOPACKs are duct-ventilated.

Design Revision Order  
A, B...

Interface

Code	Specifications
F	100 VAC
A	200 VAC
D	400 VAC

Code	Specifications
01	Analog voltage/pulse train reference type (for rotary servomotors)
05	Analog voltage/pulse train reference type (for linear servomotors)

Code	100 V (Single Phase)		Code	200 V (Three Phase)		Code	400 V (Three Phase)	
	Applicable Servomotor Max. Capacity kW			Applicable Servomotor Max. Capacity kW			Applicable Servomotor Max. Capacity kW	
R70	0.05		R70*	0.05		1R9	0.5	
R90	0.1		R90*	0.1		3R5	1.0	
2R1	0.2		1R6*	0.2		5R4	1.5	
2R8	0.4		2R8*	0.4		8R4	2.0	
			3R8	0.5		120	3.0	
			5R5*	0.75		170	5.0	
			7R6	1.0		210	6.0	
			120♣	1.5		260	7.5	
			180	2.0		280	11	
			200	3.0		370	15	
			330	5.0				
			470	6.0				
			550	7.5				
			590	11				
			780	15				

NOTE: Shaded items are non-stock.

\* These amplifiers can be powered with single or three-phase.

♣ SGDV-120A□1A008000, a special version of the 1.5kW amplifier can be used for single-phase operation.

# Features

- Unprecedented ease-of-use through cutting-edge technology
  - New tuning-less function means no adjustment needed.
  - Impressive load regulation with strengthened vibration suppression function.
- Slashed setup time
  - Setup wizard function and wiring conformation function of engineering tool SigmaWin+ allows easy setup just by watching the monitor.
- High response characteristics at 1 kHz min.
  - New advanced autotuning.
  - Reduced positioning time through model following control, and smooth machine control enabled by vibration suppression function.

## Ratings

### Single-phase 100 V

SERVOPACK Model	SGDV-□□□□	R70F	R90F	2R1F	2R8F
Applicable Servomotor Max. Capacity	kW	0.05	0.1	0.2	0.4
Continuous Output Current	A <sub>rms</sub>	0.66	0.91	2.1	2.8
Max. Output Current	A <sub>rms</sub>	2.1	2.9	6.5	9.3
Main Circuit (Single Phase)	100 to 115 VAC+10% to -15% 50/60 Hz				
Control Circuit (Single Phase)	100 to 115 VAC+10% to -15% 50/60 Hz				

### Single-phase 200 V

SERVOPACK Model	SGDV-□□□□	R70A	R90A	1R6A	2R8A	5R5A	120
Applicable Servomotor Max. Capacity	kW	0.05	0.1	0.2	0.4	0.75	1.5
Continuous Output Current	A <sub>rms</sub>	0.66	0.91	1.6	2.8	5.5	11.6
Max. Output Current	A <sub>rms</sub>	2.1	2.9	6.5	9.3	16.9	28
Main Circuit (Single Phase)	220 to 230 VAC +10% to -15% 50/60 Hz						
Control Circuit (Single Phase)	220 to 230 VAC +10% to -15% 50/60 Hz						

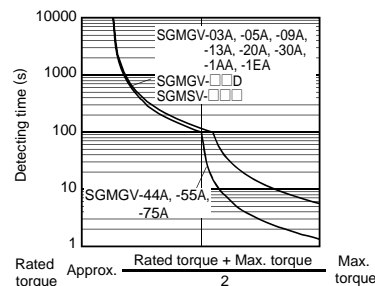
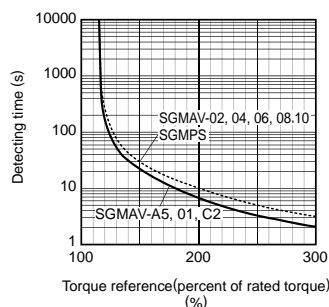
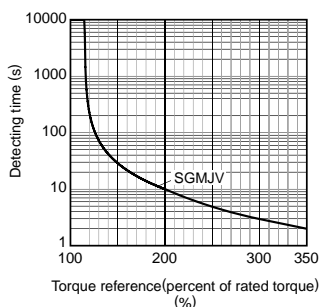
### Three-phase 200 V

SERVOPACK Model	SGDV-□□□□	R70A	R90A	1R6A	2R8A	3R8A	5R5A	7R6A	120A	180A	200A	330A	470A	550A	590A	780A
Applicable Servomotor Max. Capacity	kW	0.05	0.1	0.2	0.4	0.5	0.75	1.0	1.5	2.0	3.0	5.0	6	7.5	11	15
Continuous Output Current	A <sub>rms</sub>	0.66	0.91	1.6	2.8	3.8	5.5	7.6	11.6	18.5	19.6	32.9	46.9	54.7	58.6	78
Max. Output Current	A <sub>rms</sub>	2.1	2.9	6.5	9.3	11	16.9	17	28	42	56	84	110	130	140	170
Main Circuit	Three-phase 200 to 230 VAC+10% to -15% 50/60 Hz															
Control Circuit	Single-phase 200 to 230 VAC+10% to -15% 50/60 Hz															

### Three-phase 400 V

SERVOPACK Model	SGDV-□□□□	1R9D	3R5D	5R4D	8R4D	120D	170D	210D	260D	280D	370D
Applicable Servomotor Max. Capacity	kW	0.5	1.0	1.5	2.0	3.0	5.0	6	7.5	11	15
Continuous Output Current	A <sub>rms</sub>	1.9	3.5	5.4	8.4	11.9	16.5	20.8	25.4	28.1	37.2
Max. Output Current	A <sub>rms</sub>	5.5	8.5	14	20	28	42	55	65	70	85
Main Circuit	Three-phase 380 to 480 VAC+10% to -15% 50/60 Hz										
Control Circuit	24 VDC ±15%										

### ●SERVOPACK Overload Characteristics



Note: Overload characteristics shown above do not guarantee continuous duty of 100% or more output. Use a servomotor with effective torque within the continuous duty zone of Torque-Motor Speed Characteristics.

# Specifications

Items		Specifications	
Input Power Supply	Main Circuit	100 V	Single-phase 100 to 115 VAC + 10% to - 15% 50/60 Hz
		200 V	Three-phase 200 to 230 VAC + 10% to - 15% 50/60 Hz
		400 V	Three-phase 380 to 480 VAC + 10% to - 15% 50/60 Hz
	Control Circuit	100 V	Single-phase 100 to 115 VAC + 10% to - 15% 50/60 Hz
		200 V	Single-phase 200 to 230 VAC + 10% to - 15% 50/60 Hz
400 V		24 VDC ± 15%	
Control Method		For 100 V, for 200 V, for 400 V, single-phase or three-phase full-wave rectification IGBT PWM control, sine-wave driven	
Feedback	Rotary Servomotors	Serial encoder: 13-bit (incremental encoder) : 17-bit (incremental/absolute encoder) : 20-bit (incremental/absolute encoder)	
	Linear Servomotors	Serial converter or serial data	
Operating Conditions	Surrounding/Storage Temperature	Surrounding temperature: 0 to + 55°C, storage temperature: - 20 to + 85°C	
	Ambient/Storage Humidity	90%RH or less (no condensation)	
	Vibration/Shock Resistance	Vibration resistance: 4.9 m/s <sup>2</sup> , Shock resistance: 19.6 m/s <sup>2</sup>	
	Protection class/Pollution degree	Protection class: IP 1X, pollution degree: 2 Do not use SERVOPACKs in the following locations: · Locations subject to corrosive or flammable gasses · Locations subject to exposure to water, oil, or chemicals · Locations subject to dust, including iron dust, and salts	
	Others	Do not use SERVOPACKs in the following locations: · Locations subject to static electricity noise, strong electromagnetic/magnetic fields, radioactivity	
Elevation		1000 m or less	
Compliant Standards		UL 508C EN50178, EN55011 class A group 1, EN61800-3, EN61800-5-1	
Configuration		Base-mounted (Rack-mounting available as an option for some models. 6 kW or more models are duct-ventilated.)	
Performance	Speed Control Range	1:5000 (The lowest speed of the speed control range is the speed at which the servomotor will not stop with a rated torque load.)	
	Speed Regulation*	Load Regulation	0% to 100% load: ± 0.01% max. (at rated speed)
		Voltage Regulation	Rated voltage: ± 10% : 0% (at rated speed)
		Temperature Regulation	25 ± 25°C : ± 0.1% max. (at rated speed)
	Torque Control Tolerance (Repeatability)	± 1%	
Soft Start Time Setting		0 to 10 s (can be set individually for acceleration and deceleration.)	
I/O Signals	Encoder Output Pulses	Phase A, phase B, phase C: line driver output The number of dividing pulse: Any setting ratio is available.	
Communications	RS-422A Communications	Interface	Digital operator, RS-422A port of personal computers etc.
		1:N communications	RS-422A port: N= 15 max. available
		Axis address setting	Set by parameters
	USB Communications	Function	Status display, parameter settings, adjustment functions, utility functions, parameter copy functions
		Interface	Personal computers (application: engineering tool SigmaWin+)
USB Communications	1:N communications	Compliant with USB1.1 standard	
	Function	Status display, parameter settings, adjustment functions, utility functions, parameter copy functions, waveform trace	
Display	Power Charge	CHARGE for main circuit power supply input confirmation One LED (orange)	
Analog Monitor		Analog monitor connector built in for monitoring speed, torque and other reference signals. Number of points: 2	
Protective Functions		Overcurrent, Overvoltage, low voltage, overload, regeneration error	
Utility Functions		Alarm history, JOG operation, origin search, etc.	
Regenerative Processing		100 VAC model: External regenerative resistor (optional) 200 VAC SGDV-R70A, -R90A, -1R6A, -2R8A: External regenerative resistor (optional) 200 VAC SGDV-470A, -550A, -590A, -780A: External regenerative resistor unit (optional) 200 VAC models other than shown above: Built-in regenerative resistor 400 VAC SGDV-210D, -260D, -280D, -370D: External regenerative resistor unit (optional) 400 VAC models other than shown above: Built-in regenerative resistor	
Safety Functions	Input	/HWBB1, /HWBB2: Hard wire base block signal	
	Output	EDM1: Status monitor (fixed output) of built-in safety circuit	
	Compliant Standards	EN954 category 3 Stop category 0, IEC61508 SIL 2	
Option Card Function	Feedback	Serial encoder communications input for fully-closed loop control	

\*: Speed regulation is defined as follows:

$$\text{Speed regulation} = \frac{\text{No-load motor speed} - \text{Total load motor speed}}{\text{Rated motor speed}} \times 100\%$$

The motor speed may change due to voltage variations or temperature variation. The ratio of speed changes to the rated speed represent speed regulation due to voltage and temperature variations.

## Specifications

## ● Rotary Servomotors

Items		Specifications		
I/O Signal	Encoder Output Pulses		Phase A, phase B, phase C: line driver output The number of dividing pulse: Any setting ratio is available.	
	Sequence Input	Fixed Input	SEN signal	
		Input Signals which can be allocated	Number of Channels	7 channels
			Functions	The signal allocation and positive/negative logic can be modified. Servo On (/S-ON), proportional control (/P-CON), alarm reset (/ALM-RST), forward run prohibited (P-OT), reverse run prohibited (/N-OT), forward torque limit (/P-CL), reverse torque limit(/N-CL), internal set speed selection (/SPD-D, /SPD-A, /SPD-B), control selection (/C-SEL), zero clamping (/ZCLAMP), reference pulse inhibit (/INHIBIT), gain selection (/G-SEL)
	Sequence Output	Fixed Output	Servo alarm (ALM), alarm code (ALO1, ALO2, ALO3) outputs	
		Output Signals which can be allocated	Number of Channels	3 channels
	Functions		The signal allocation and positive/negative logic can be modified. Positioning completion (/COIN), speed coincidence detection (/V-CMP), servomotor rotation detection (/TGON), servo ready (/S-RDY), torque limit detection (/CLT), speed limit detection (/VLT), brake interlock (/BK), warning (/WRAN), near (/NEAR)	
Panel Operator		Display	7-segment 5-digit LED (Red)	
		Switch	Push switch: 4 channels	
Torque Control	Analog Input	Reference Voltage	$\pm 3$ VDC (Variable setting range: $\pm 1$ to 10 VDC) at rated torque, max. input voltage: $\pm 12$ V	
		Input Impedance	About 14 k $\Omega$ min.	
		Circuit Time Constant	16 $\mu$ s	
Speed Control	Analog Input	Reference Voltage	$\pm 6$ VDC (variable setting range: $\pm 2$ to 10 VDC) at rated speed, max. input voltage: $\pm 12$ V	
		Input Impedance	About 14 k $\Omega$ min.	
		Circuit Time Constant	30 $\mu$ s	
	Internal Set Speed Control	Rotation Direction Selection	Switches the direction by /P-CON (/SPD-D)	
		Speed Selection	Speed 1 to 3 selection	
Function	Soft Start Setting	0 to 10 s (can be set individually for acceleration and deceleration.)		
Position Control	Reference Pulse	Type	Sign + pulse train, 90° phase difference 2-phase pulse (phase A + phase B), or CCW + CW pulse train	
		Form	Non-insulated line driver (+5 V level), open collector	
		Max. Input Pulse Frequency*	Sign+ Pulse train	: 4 Mpps
			CW+ CCW pulse train	: 4 Mpps
	90° phase difference 2-phase pulse		$\times 1$ multiplier : 1 Mpps (before multiplier) $\times 2$ multiplier : 1 Mpps (before multiplier) $\times 4$ multiplier : 1 Mpps (before multiplier)	
	Open collector	: 200 kpps		
Clear Signal	Function	Clears error pulse by external signals.		
	Form	Applicable to line driver, open collector		

\*: If the maximum reference frequency exceeds 1 Mpps, use a shielded cable for I/O signals and ground both ends of the shield. Connect the shield at the SERVOPACK to the connector shell.

# Specifications

## ● Linear Servomotors

Items		Specifications		
I/O Signal	Encoder Output Pulses	Phase A, phase B, phase C: line driver output The number of dividing pulse: Any setting ratio is available.		
	Sequence Input	Input Signals which can be allocated	Number of Channels	7 channels
			Functions	The signal allocation and positive/negative logic can be modified. Servo ON (/S-ON), proportional control (/P-CON), alarm reset (/ALM-RST), forward run prohibited (P-OT), reverse run prohibited (N-OT), forward external force limit (/P-CL), reverse external force limit (/N-CL), internal set speed selection (/SPD-D, /SPD-A, /SPD-B), control selection (/C-SEL), zero clamping (/ZCLAMP), reference pulse inhibit (/INHIBIT), gain selection (/G-SEL), polarity detection (P-DET)
	Sequence Output	Output Signals which can be allocated	Fixed Output	Servo alarm (ALM), alarm code (ALO1, ALO2, ALO3) outputs
			Number of Channels	3 channels
	Functions	The signal allocation and positive / negative logic can be modified. Positioning completion (/COIN), speed coincidence detection (/V/CMP), servomotor movement detection (/TGON), servo ready (/S-RDY), force limit detection (/CLT), speed limit detection (/VLT), brake interlock (/BK), warning (/WARN), near (/NEAR)		
Panel Operator	Display	7-segment 5-digit LED (Red)		
	Switch	Push switch: 4 channels		
Force Control	Analog Input	Reference Voltage	$\pm 3$ VDC (variable setting range: $\pm 1$ to 10 VDC), max. input voltage: $\pm 12$ V	
		Input Impedance	About 14 k $\Omega$ min.	
		Circuit Time Constant	16 $\mu$ s	
Speed Control	Analog Input	Reference Voltage	$\pm 6$ VDC (variable setting range: $\pm 2$ to 10 VDC) at rated speed, max. input voltage: $\pm 12$ V	
		Input Impedance	About 14 k $\Omega$ min.	
		Circuit Time Constant	30 $\mu$ s	
	Internal Set Speed Control	Movement Direction Selection	/P-CON (/SPD-D) signal	
		Speed Selection	Speed 1 to 3 selection	
Function	Soft Start Setting	0 to 10 s (can be set individually for acceleration and deceleration.)		
Position Control	Reference Pulse	Type	Sign+ pulse train, 90° phase difference 2-phase pulse (phase A+phase B), or CCW+ CW pulse train	
		Form	Non-insulated line driver (+5 V level), open collector	
		Max. Input Pulse Frequency*	Sign+ Pulse train : 4 Mpps CW+ CCW pulse train : 4 Mpps 90° phase difference 2-phase pulse ×1 multiplier : 1 Mpps (before multiplier) ×2 multiplier : 1 Mpps (before multiplier) ×4 multiplier : 1 Mpps (before multiplier) Open collector : 200 kpps	
	Clear Signal	Function	Clears error pulse by external signals.	
		Form	Applicable to line driver, open collector	

\*: If the maximum reference frequency exceeds 1 Mpps, use a shielded cable for I/O signals and ground both ends of the shield. Connect the shield at the SERVOPACK to the connector shell.



## Power Supply Capacities and Power Losses

The following table shows SERVOPACK's power supply capacities and power losses at the rated output.

Main Circuit Power Supply	Applicable Servomotor Max. Capacity kW	SERVOPACK Model SGDv-	Power Supply Capacity kVA	Output Current A	Main Circuit Power Loss W	Regenerative Resistor Power Loss W	Control Circuit Power Loss W	Total Power Loss W
Signal-phase 100 V	0.05	R70F	0.2	0.66	5.4	—	17	22.4
	0.1	R90F	0.3	0.91	7.8			24.8
	0.2	2R1F	0.7	2.1	14.4			31.4
	0.4	2R8F	1.4	2.8	25.6			42.6
Single-phase 200 V	0.05	R70A	0.2	0.66	5.2	—	17	22.2
	0.1	R90A	0.3	0.91	7.4			24.4
	0.2	1R6A	0.7	1.6	13.7			30.7
	0.4	2R8A	1.2	2.8	24.9			41.9
	0.75	5R5A	1.9	5.5	52.7	8	77.7	
	1.5	120A	4	11.6	68.2	10	22	100.2
Three-phase 200 V	0.05	R70A	0.2	0.66	5.1	—	17	22.1
	0.1	R90A	0.3	0.91	7.3			24.3
	0.2	1R6A	0.6	1.6	13.5			30.5
	0.4	2R8A	1	2.8	24.0			41.0
	0.5	3R8A	1.4	3.8	20.1	8	45.1	
	0.75	5R5A	1.6	5.5	43.8		68.8	
	1.0	7R6A	2.3	7.6	53.6	10	78.6	
	1.5	120A	3.2	11.6	65.8		97.8	
	2.0	180A	4	18.5	111.9	16	22	149.9
	3.0	200A	5.9	19.6	113.8		161.4	
	5.0	330A	7.5	32.9	263.7	36	27	326.7
	6.0	470A	10.7	46.9	279.4	(180) <sup>1</sup>	33	312.4
	7.5	550A	14.6	54.7	357.8	(350) <sup>2</sup>		390.8
	11	590A	21.7	58.6	431.7		479.7	
15	780A	29.6	78	599.0	48		647.0	
Three-phase 400 V	0.5	1R9D	1.1	1.9	24.6	14	21	59.6
	1.0	3R5D	2.3	3.5	46.1			81.1
	1.5	5R4D	3.5	5.4	71.3			106.3
	2.0	8R4D	4.5	8.4	77.9	28	25	130.9
	3.0	120D	7.1	11.9	108.7			161.7
	5.0	170D	11.7	16.5	161.1	36	24	221.1
	6.0	210D	12.4	20.8	172.7	(180) <sup>3</sup>	27	199.7
	7.5	260D	14.4	25.7	218.6			245.6
	11	280D	21.9	28.1	294.6	(350) <sup>4</sup>	30	324.6
15	370D	30.6	37.2	403.8	433.8			

\*1: For the optional JUSP-RA04-E regenerative resistor unit.

\*2: For the optional JUSP-RA05-E regenerative resistor unit.

\*3: For the optional JUSP-RA18-E regenerative resistor unit.

\*4: For the optional JUSP-RA19-E regenerative resistor unit.

Notes: 1 SGDv-R70F, -R90F, -2R1F, -2R8F, -R70A, -R90A, -1R6A, and -2R8A SERVOPACKs do not have built-in regenerative resistors.

If the regenerative energy exceeds the specified value, connect an external regenerative resistor (optional).

2 SGDv-470A, -550A, -590A, -780A, -210D, -260D, -280D, -370D SERVOPACKs do not have built-in regenerative resistors.

Be sure to connect a regenerative resistor unit (optional) or an external regenerative resistor (optional). For selection details, refer to page 339.

3 Regenerative resistor power losses are allowable losses. Take the following action if this value is exceeded.

· Remove the lead or short bar that is short-circuiting the SERVOPACK main circuit terminal B2 and B3.

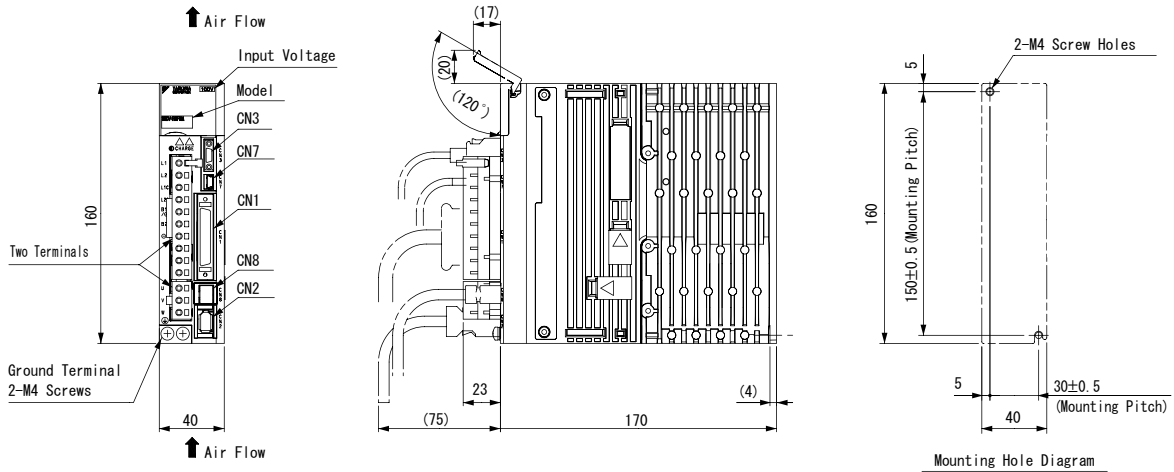
(SGDv-3R8A, -5R5A, -7R6A, -120A, -180A, -200A, -330A, or 400-V class SERVOPACKs.)

· Install an external regenerative resistor (optional). For selection details, refer to page 339

## External Dimensions Units: mm

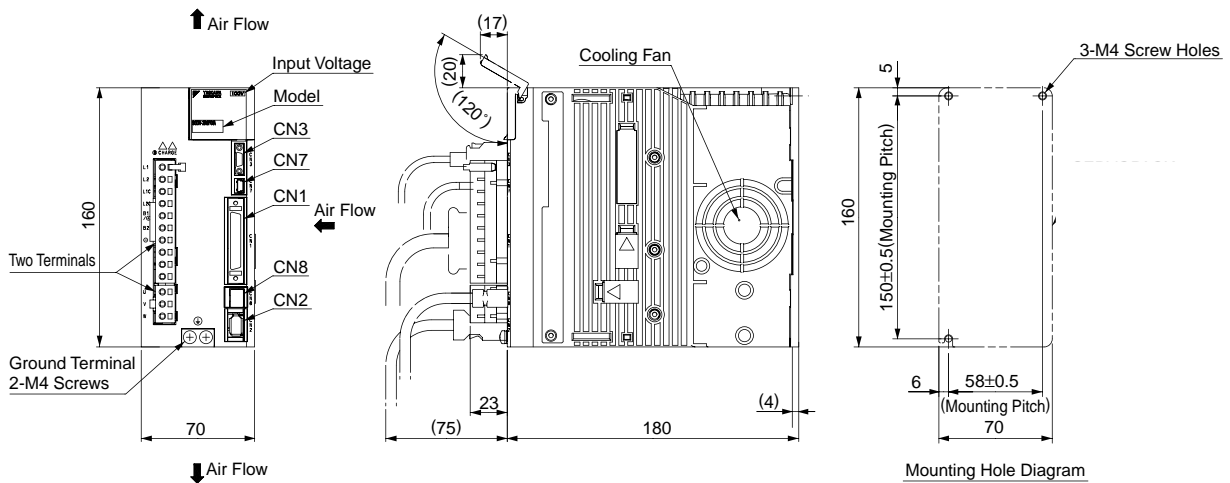
### ● Base-mounted SERVOPACKS

(1) Single-phase 100 VAC, Model: SGD V-R70F0□A, -R90F0□A, and -2R1F0□A



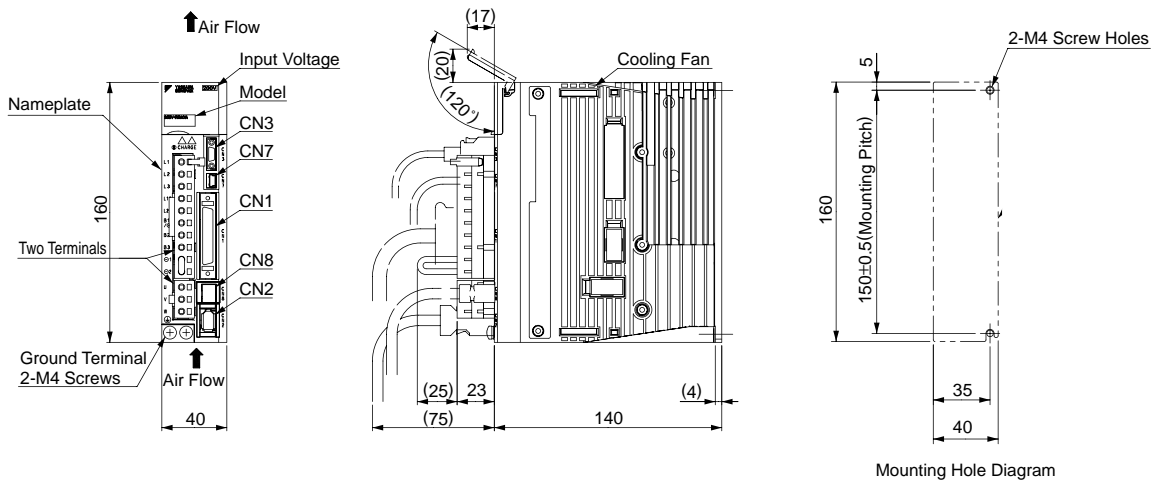
Approx. Mass: 1.1 kg

(2) Single-phase 100 VAC, Model: SGD V-2R8F0□A



Approx. Mass: 1.5 kg

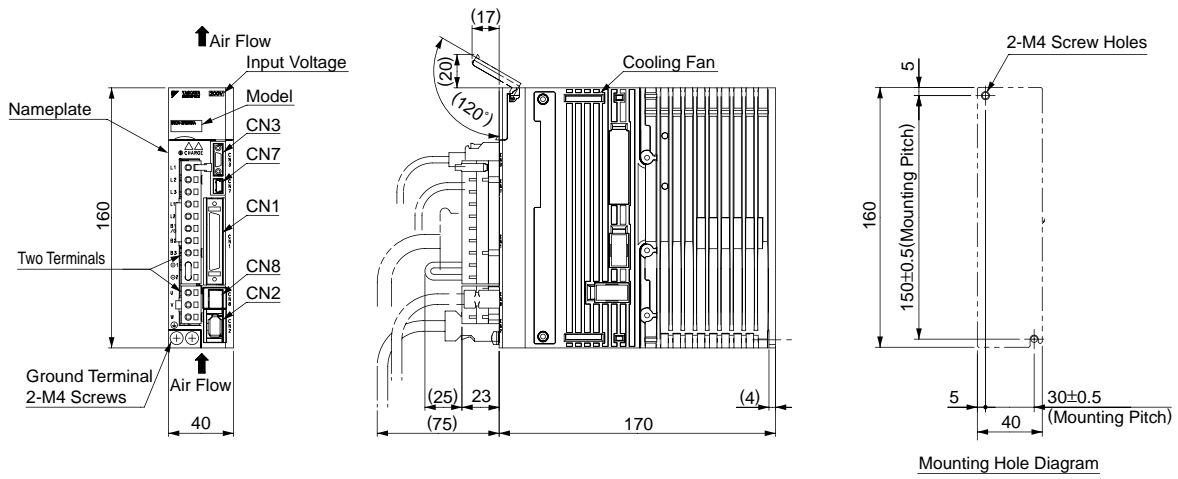
(3) Three-phase 200 VAC, Model: SGD V-R70A0□A, -R90A0□A, and -1R6A0□A



Approx. Mass: 0.9 kg

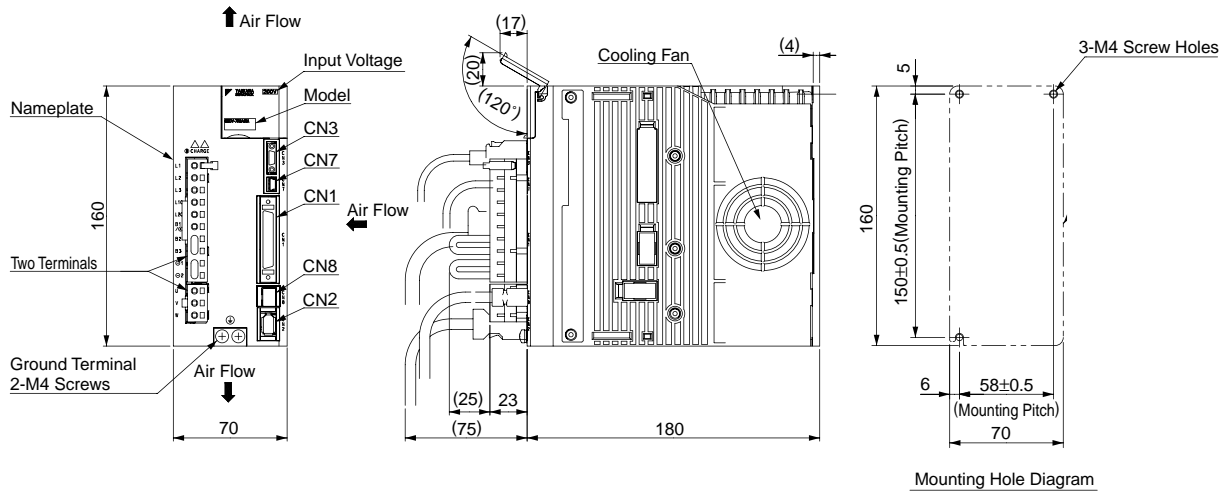
**External Dimensions** Units: mm

(4) Three-phase 200 VAC, Model: SGDV-2R8A0□A



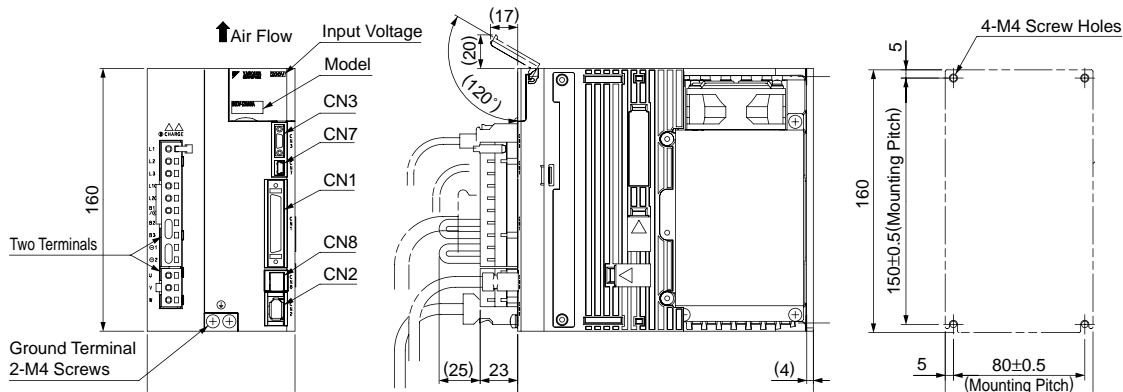
Approx. Mass: 1.0 kg

(5) Three-phase 200 VAC, Model: SGDV-3R8A0□A, -5R5A0□A, and 7R6A0□A



Approx. Mass: 1.5 kg

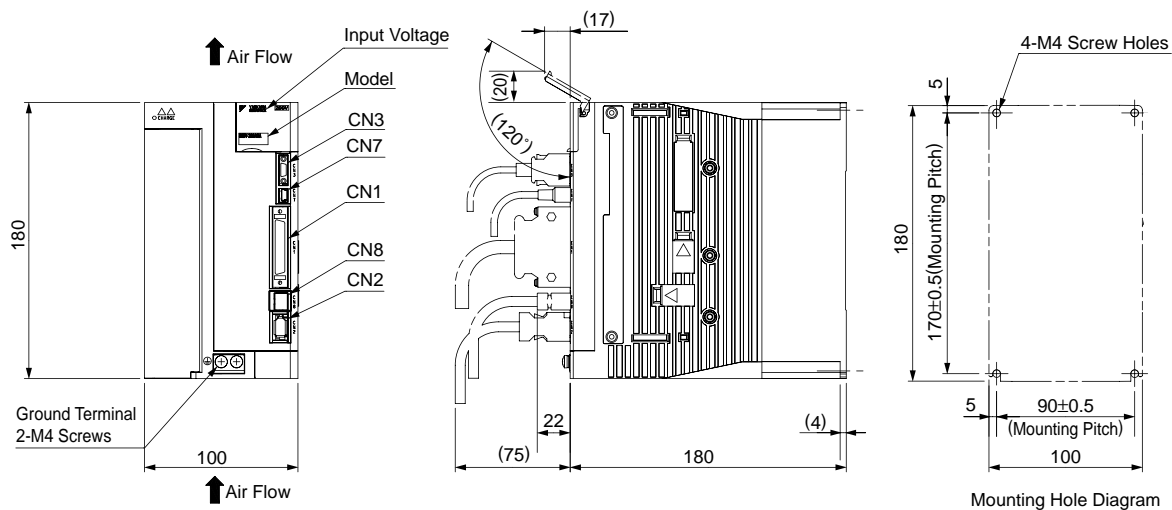
(6) Three-phase 200 VAC, Model: SGDV-120A0□A



Approx. Mass: 2.4 kg

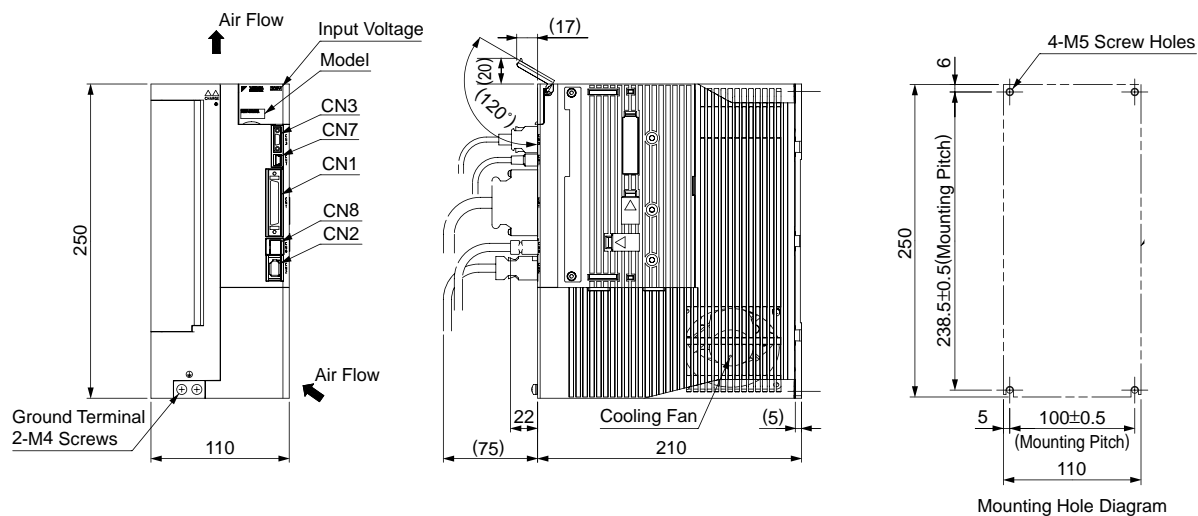
**External Dimensions** Units: mm

- (7) Single-phase 200 VAC, Model: SGDV-120A0□A008000 (1.5 kW, single-phase input type)  
 Three-phase 200 VAC, Model: SGDV-180A0□A and -200A0□A



Approx. Mass: 2.8 kg

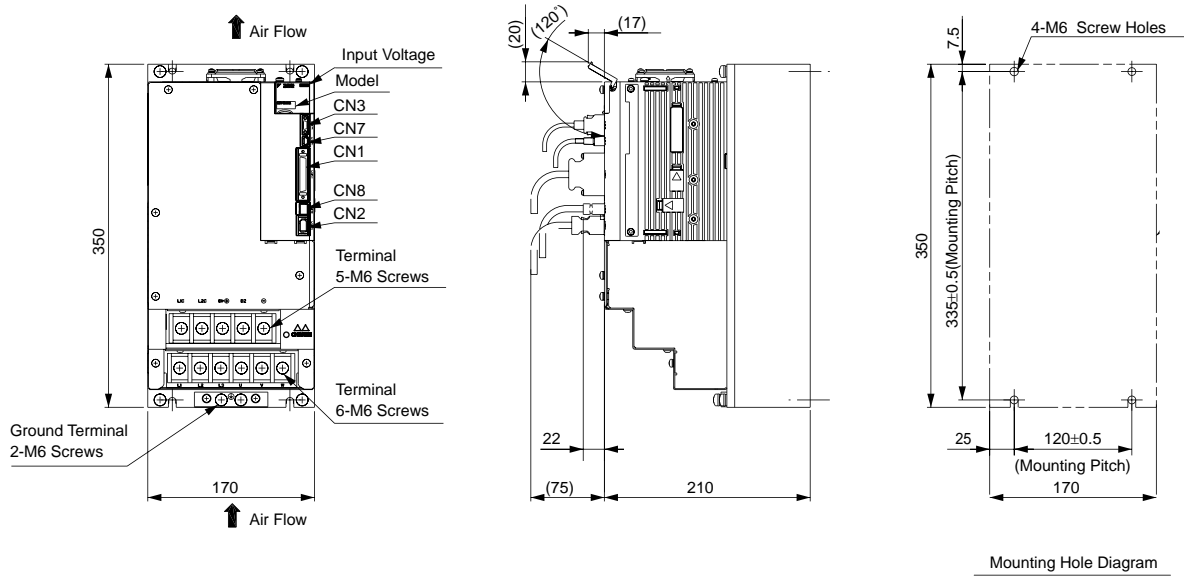
- (8) Three-phase 200 VAC, Model: SGDV-330A0□A



Approx. Mass: 4.6 kg

**External Dimensions** Units: mm

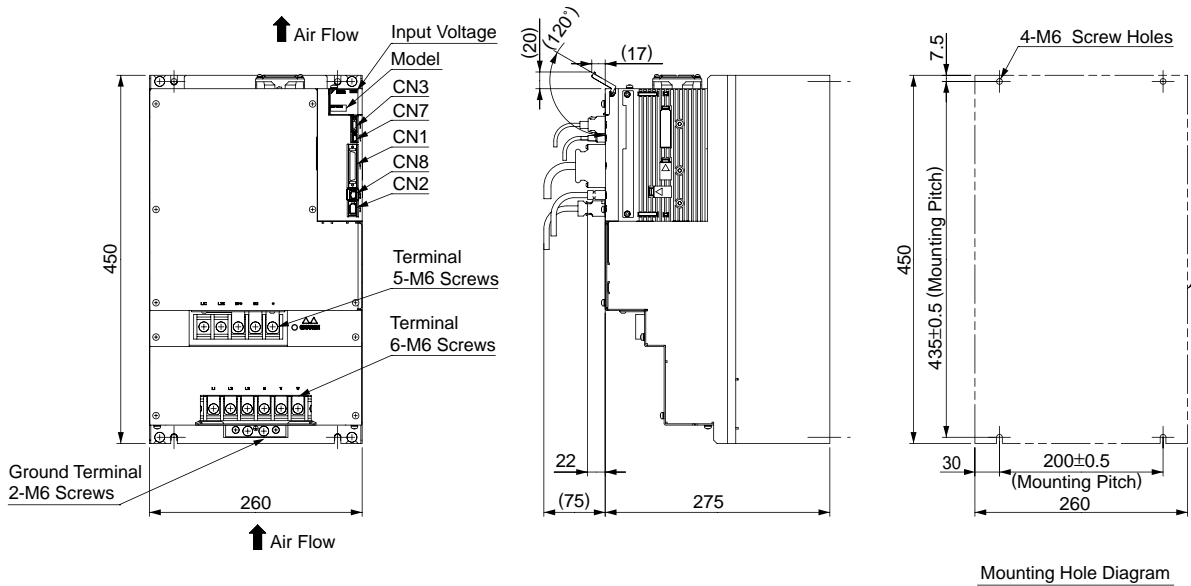
(9) Three-phase 200 VAC, Model: SGDV-470A0□A and -550A0□A



Mounting Hole Diagram

Approx. Mass: 10.2 kg

(10) Three-phase 200 VAC, Model: SGDV-590A0□A and -780A0□A

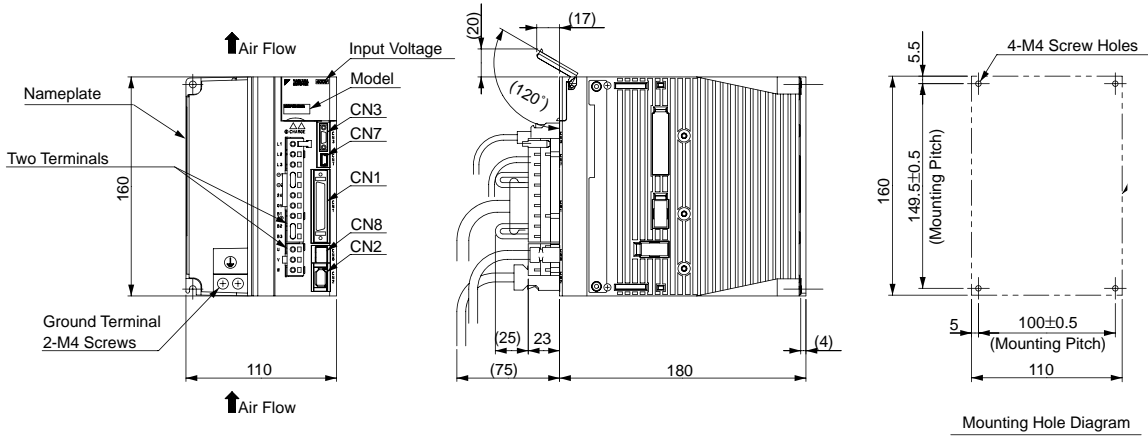


Mounting Hole Diagram

Approx. Mass: 21.0 kg

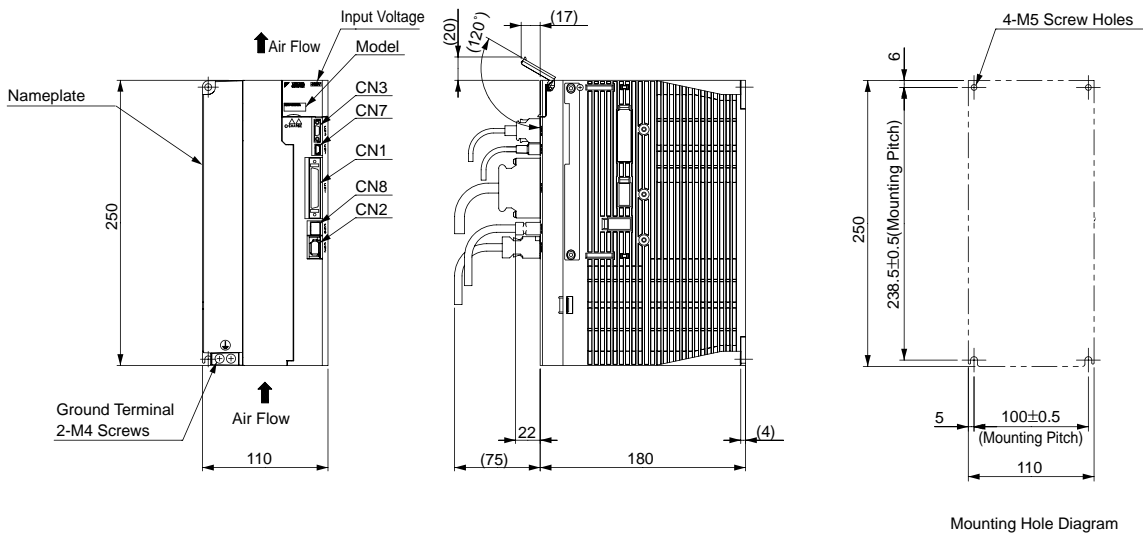
**External Dimensions** Units: mm

(11) Three-phase 400 VAC, Model: SGDV-1R9D0□A, -3R5D0□A, and -5R4D0□A



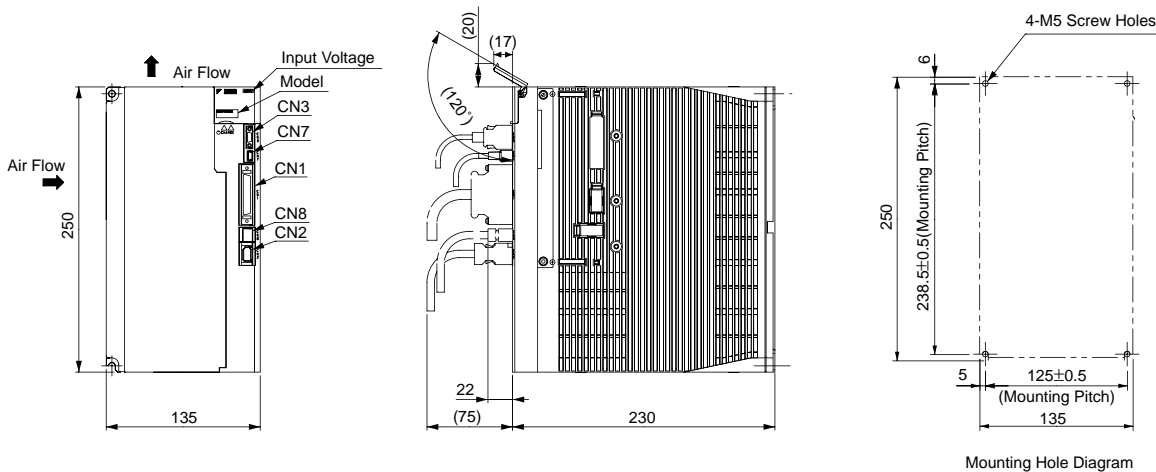
Approx. Mass: 2.7 kg

(12) Three-phase 400 VAC, Model: SGDV-8R4D0□A and -120D0□A



Approx. Mass: 3.7 kg

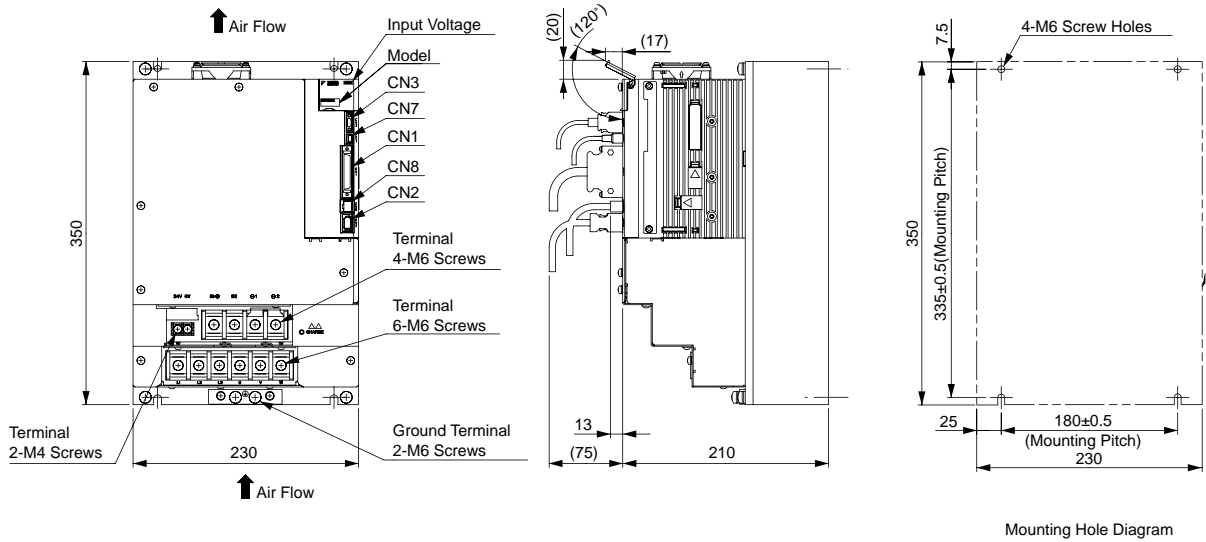
(13) Three-phase 400 VAC, Model: SGDV-170D0□A



Approx. Mass: 5.6 kg

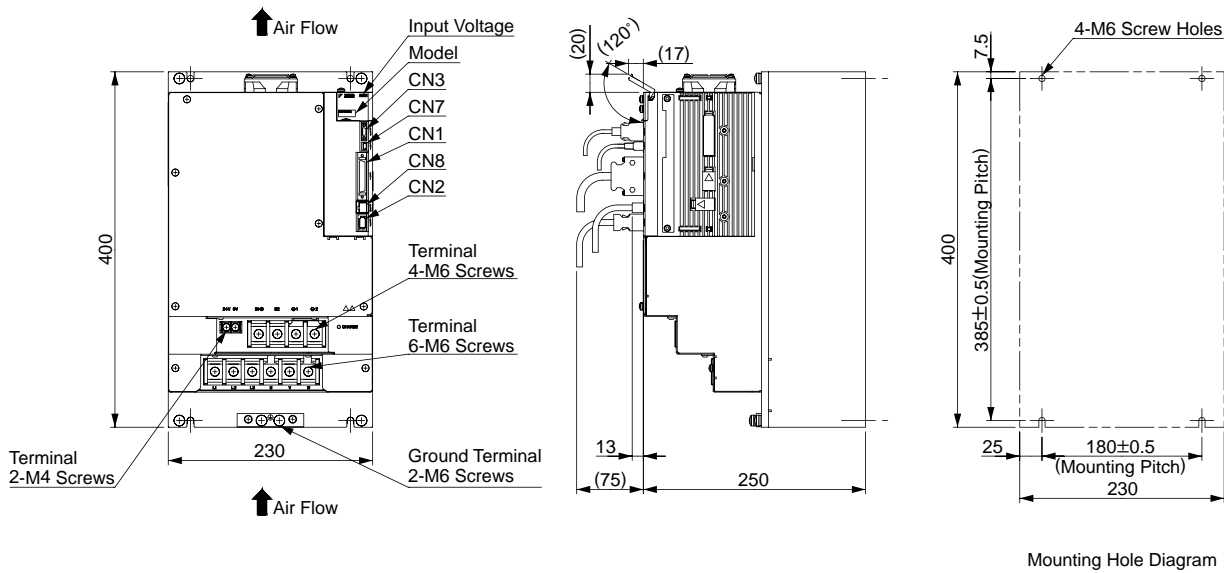
**External Dimensions** Units: mm

(14) Three-phase 400 VAC, Model: SGDV-210D0□A and -260D0□A



Approx. Mass: 11.3 kg

(15) Three-phase 400 VAC, Model: SGDV-280D0□A and -370D0□A



Approx. Mass: 16.2 kg

**Connectors for Base-mounted SERVOPACKS**

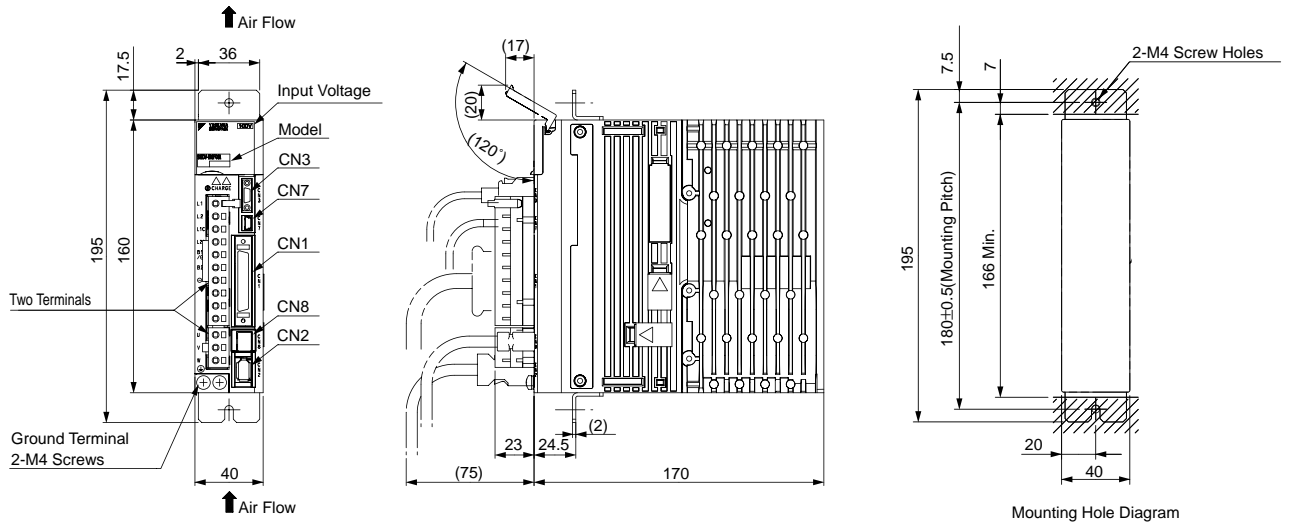
Port	Model	Pin	Manufacturer
CN1	10250-52A2PL	50	Sumitomo 3M Ltd.
CN2	53984-0671	6	Molex Japan Co., Ltd.
CN3	HDR-EC14LFDTN-SLE-PLUS	14	Honda Tsushin Kogyo Co., Ltd.
CN7	MNC23-5K5H00	5	ADVANCED-CONNECTEK INC.
CN8	1981080-1	8	Tyco Electronics AMP K.K.

Note: The connectors above or their equivalents are used for SERVOPACKS.

## External Dimensions Units: mm

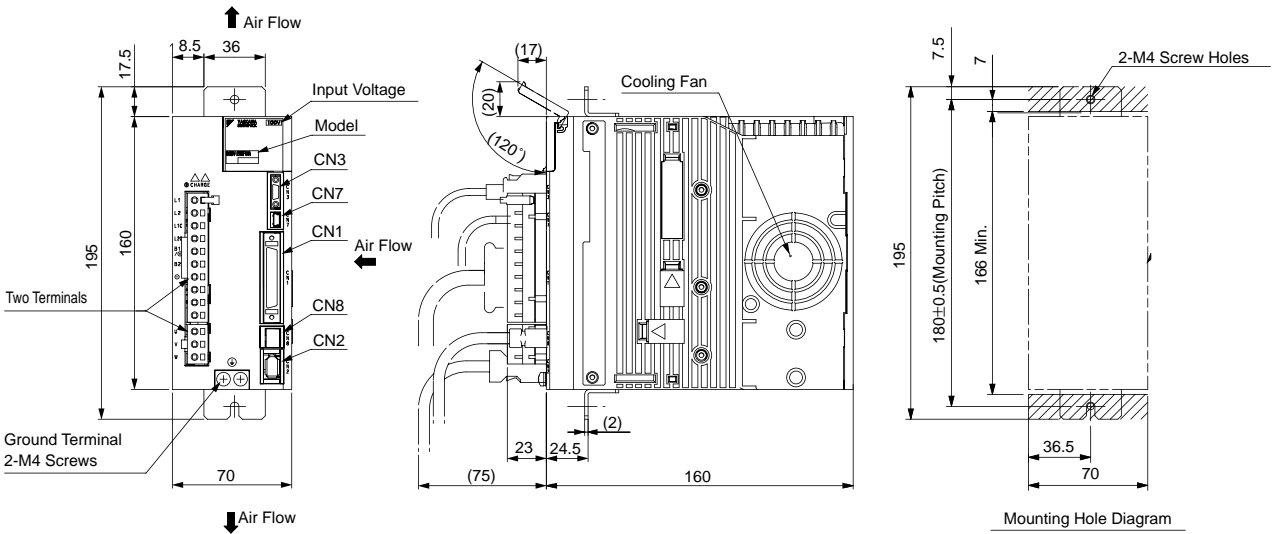
### ● Rack-mounted SERVOPACKs (6 kW or more models: duct-ventilated)

(1) Single-phase 100 VAC, Model: SGDV-R70F0□A001, -R90F0□A001, and -2R1F0□A001



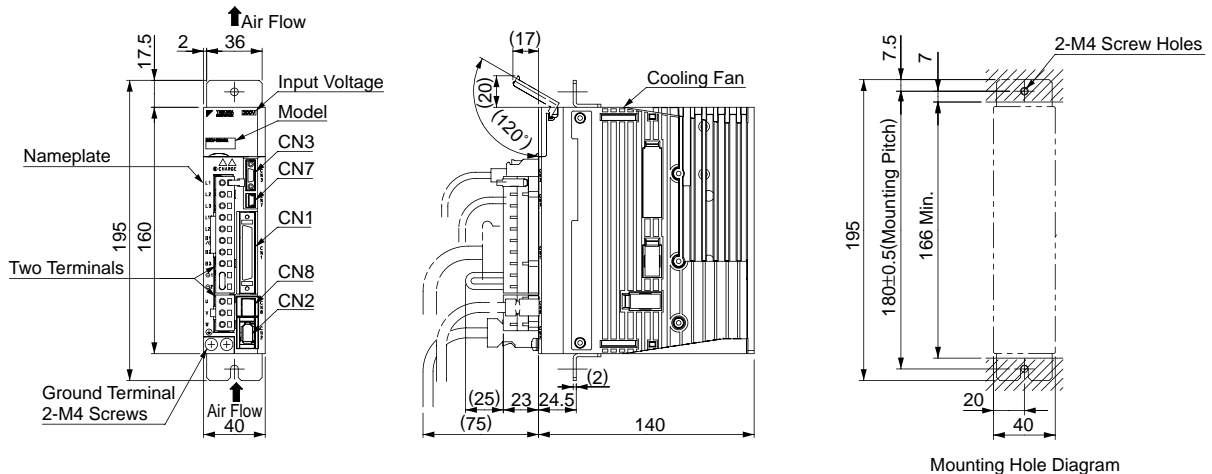
Approx. Mass: 1.1 kg

(2) Single-phase 100 VAC, Model: SGDV-2R8F0□A001



Approx. Mass: 1.5 kg

(3) Three-phase 200 VAC, Model: SGDV-R70A0□A001, -R90A0□A001, and -1R6A0□A001

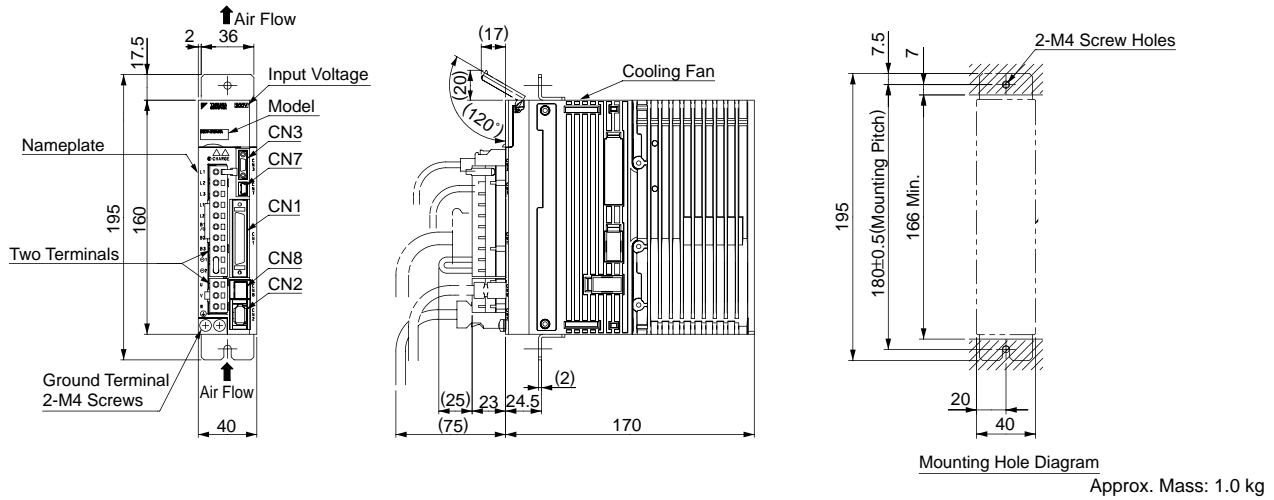


Approx. Mass: 0.9 kg

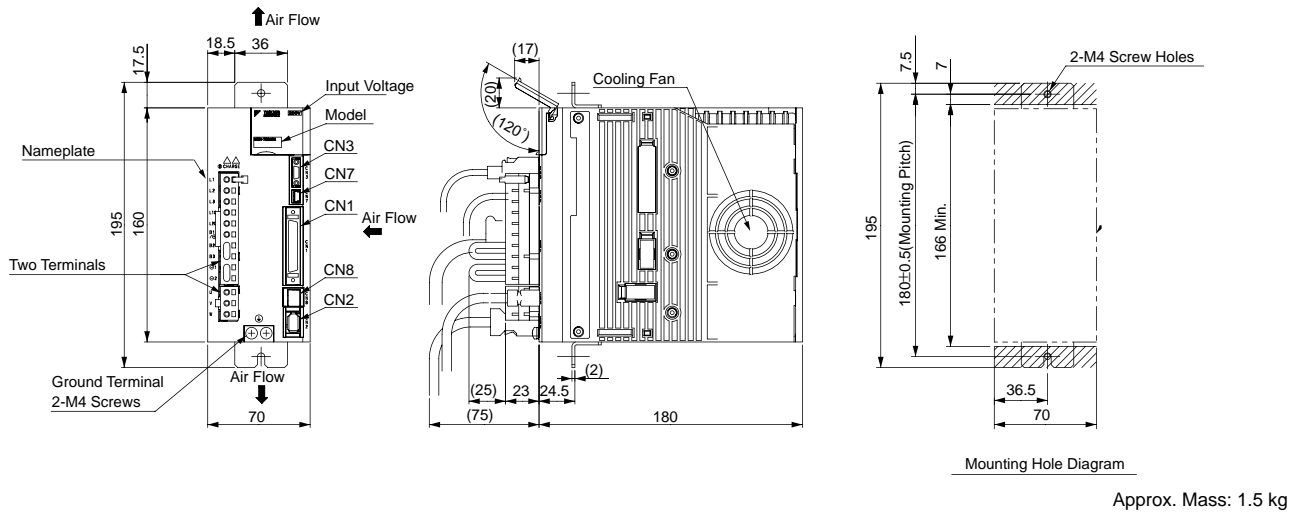


**External Dimensions** Units: mm

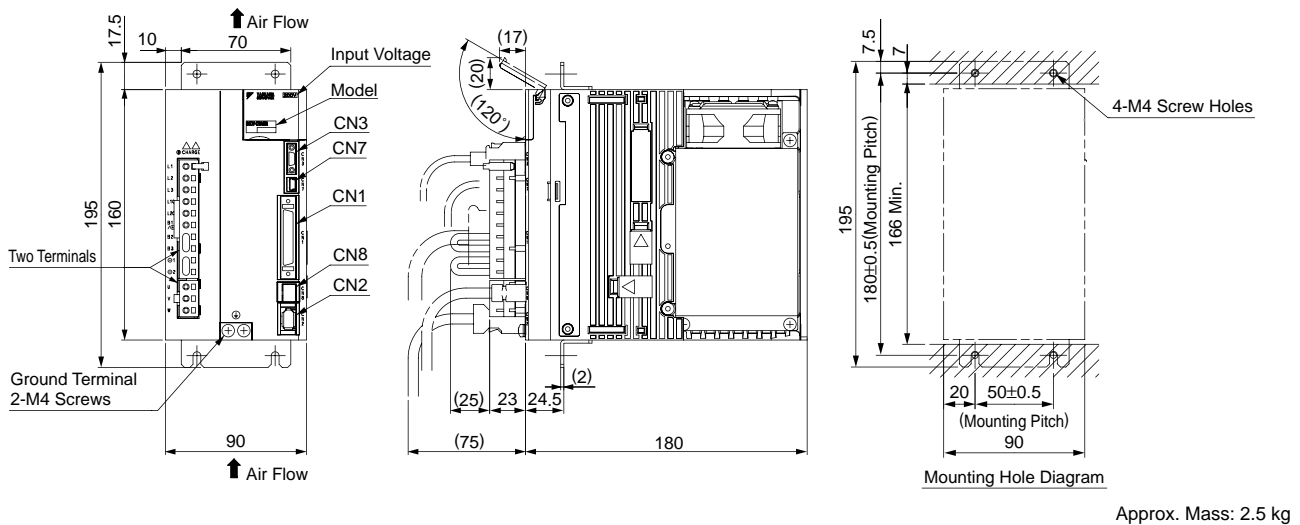
(4) Three-phase 200 VAC, Model: SGDV-2R8A0□A001



(5) Three-phase 200 VAC, Model: SGDV-3R8A0□A001, -5R5A0□A001, and -7R6A□0A001

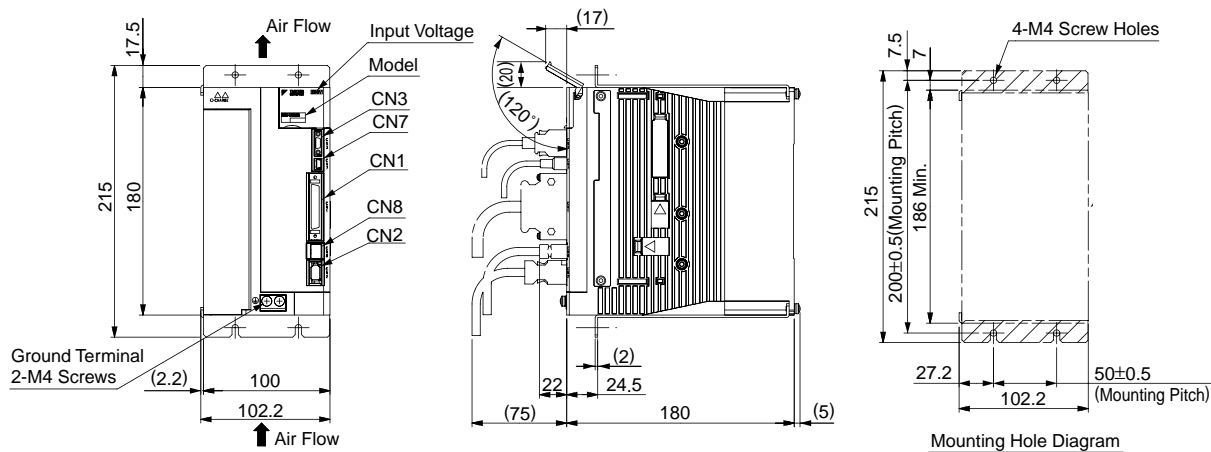


(6) Three-phase 200 VAC, Model: SGDV-120A0□A001



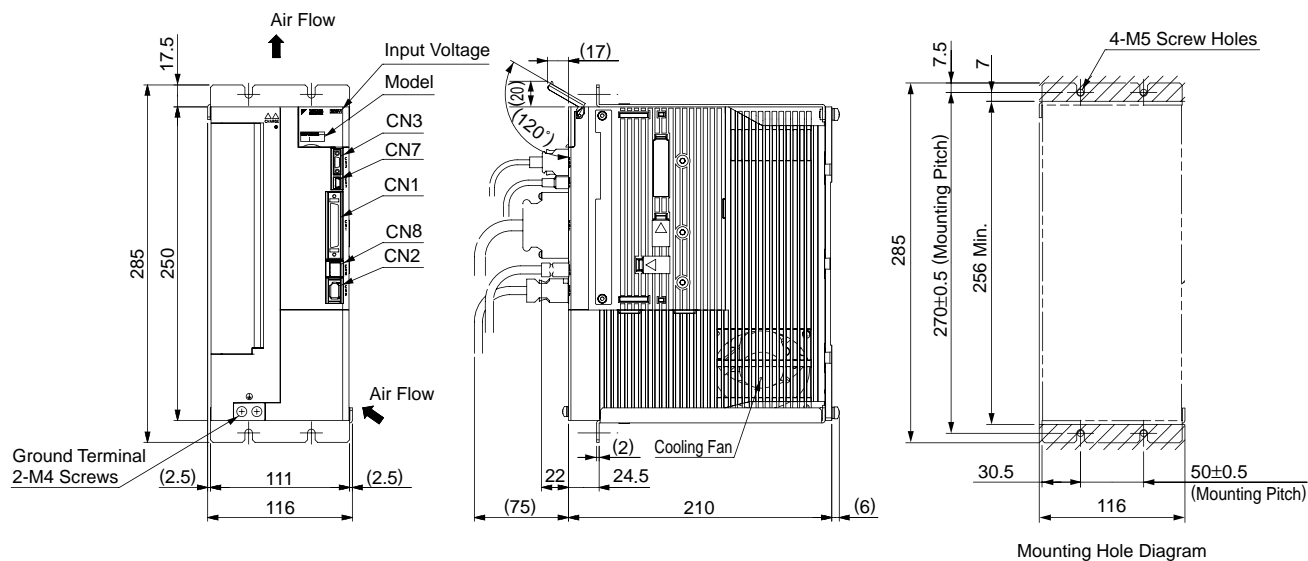
**External Dimensions** Units: mm

- (7) Single-phase 200 VAC, Model: SGDV-120A0□A008000 (1.5 kW, single-phase input type)  
 Three-phase 200 VAC, Model: SGDV-180A0□A001 and -200A0□A001



Approx. Mass: 3.1 kg

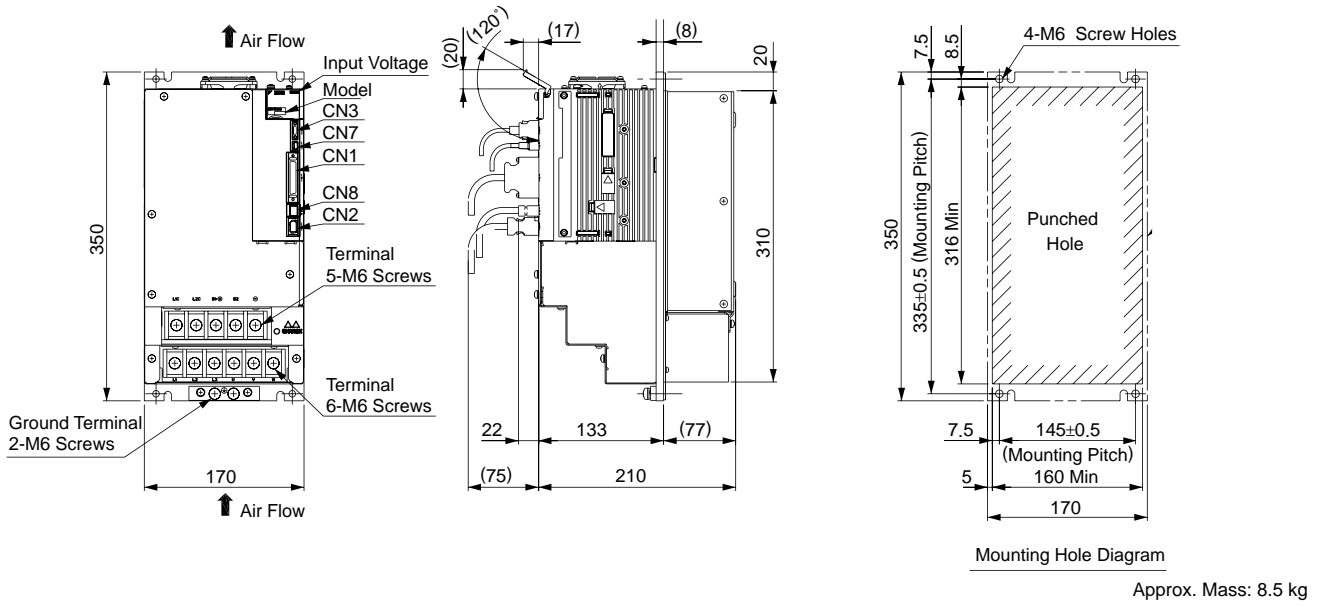
- (8) Three-phase 200 VAC, Model: SGDV-330A0□A001



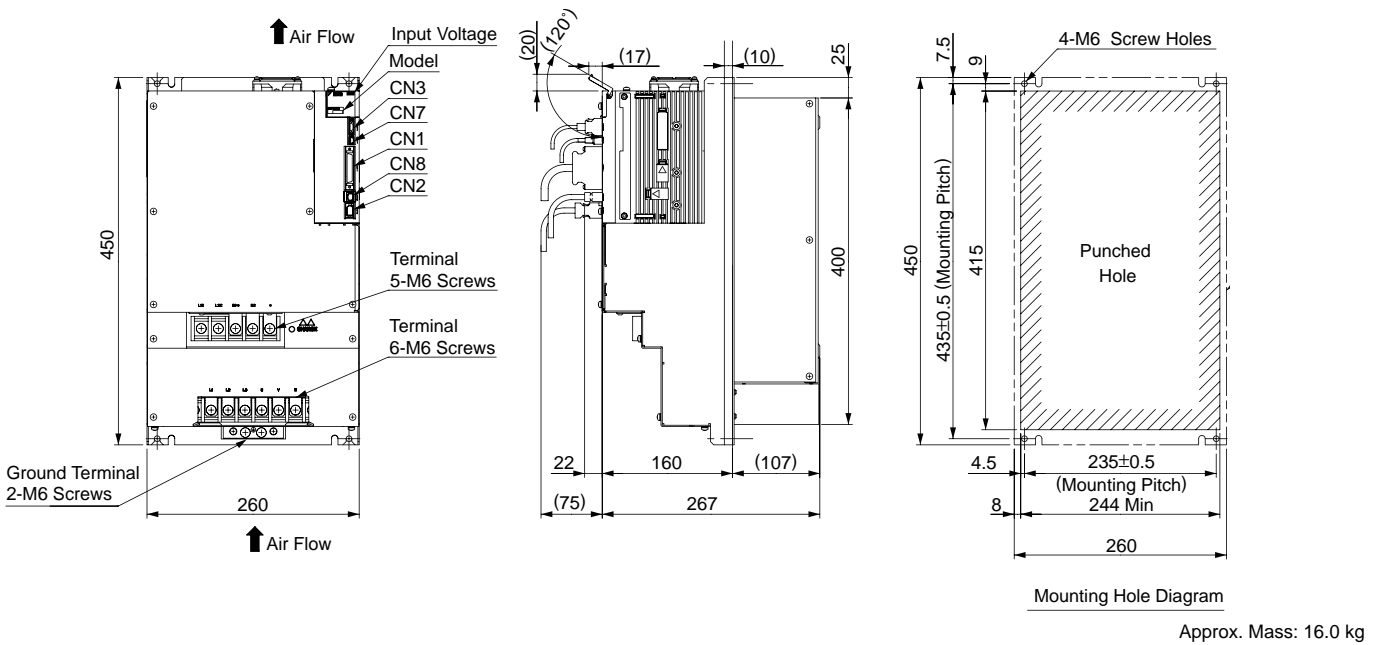
Approx. Mass: 6.0 kg

**External Dimensions** Units: mm

(9) Three-phase 200 VAC, SGDV-470A0□A001 and -550A□A001 (Duct-ventilated type)

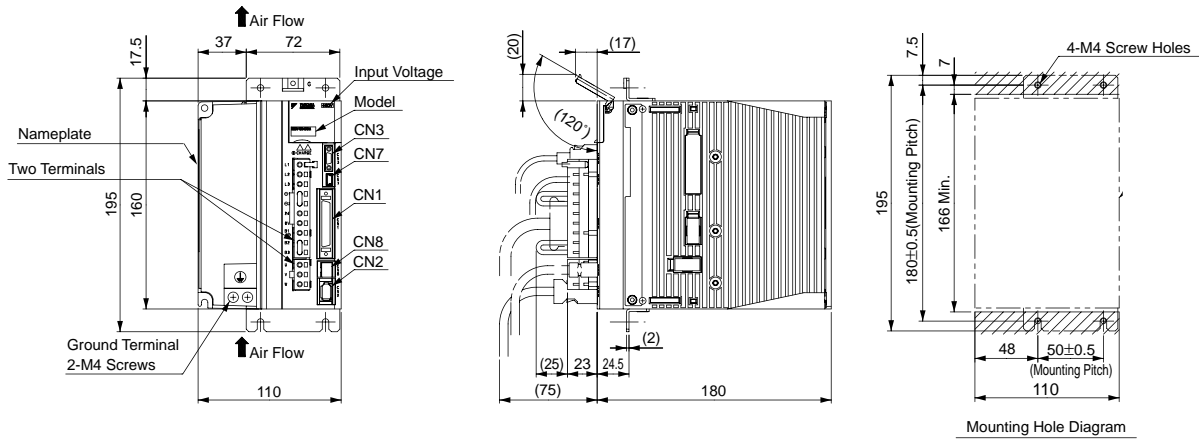


(10) Three-phase 200 VAC, SGDV-590A0□A001 and -780A□A001 (Duct-ventilated type)



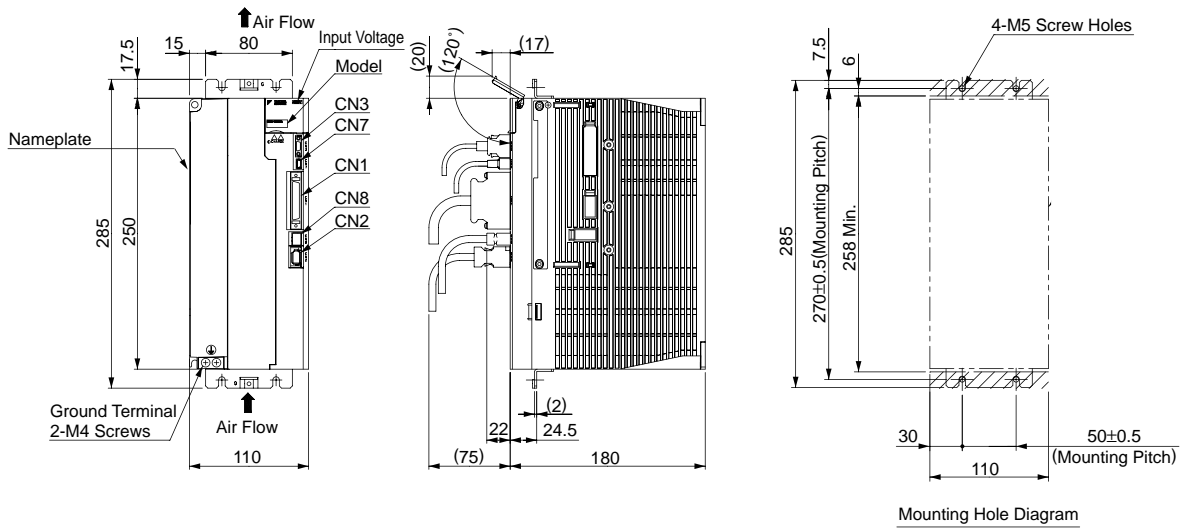
**External Dimensions** Units: mm

(11) Three-phase 400 VAC, Model: SGDV-1R9D0□A001, -3R5D0□A001, and -5R4D0□A001



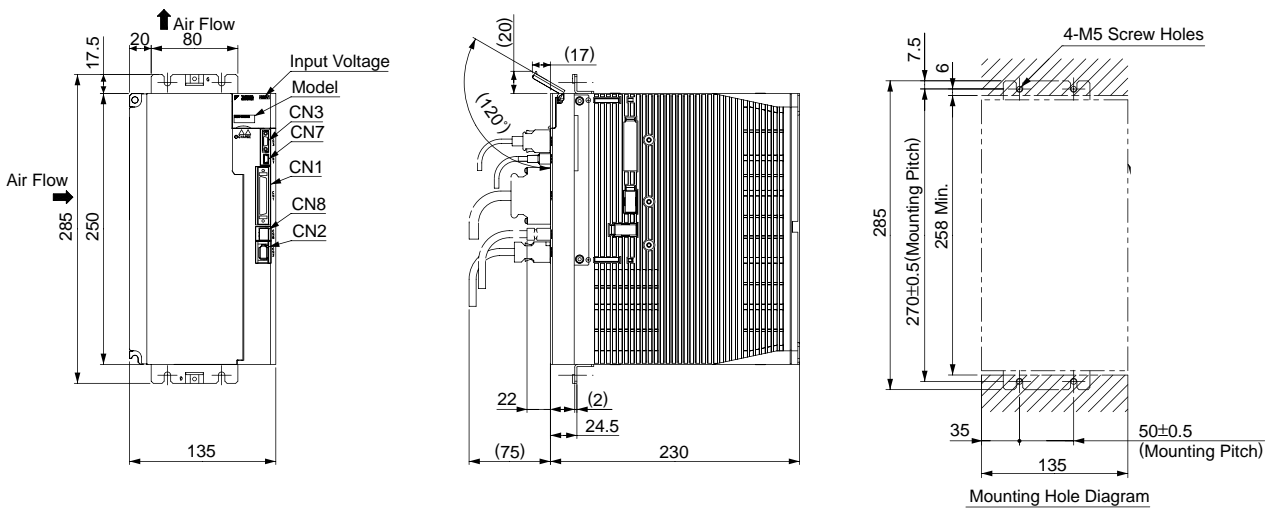
Approx. Mass: 2.7 kg

(12) Three-phase 400 VAC, Model: SGDV-8R4D0□A001 and -120D0□A001



Approx. Mass: 3.8 kg

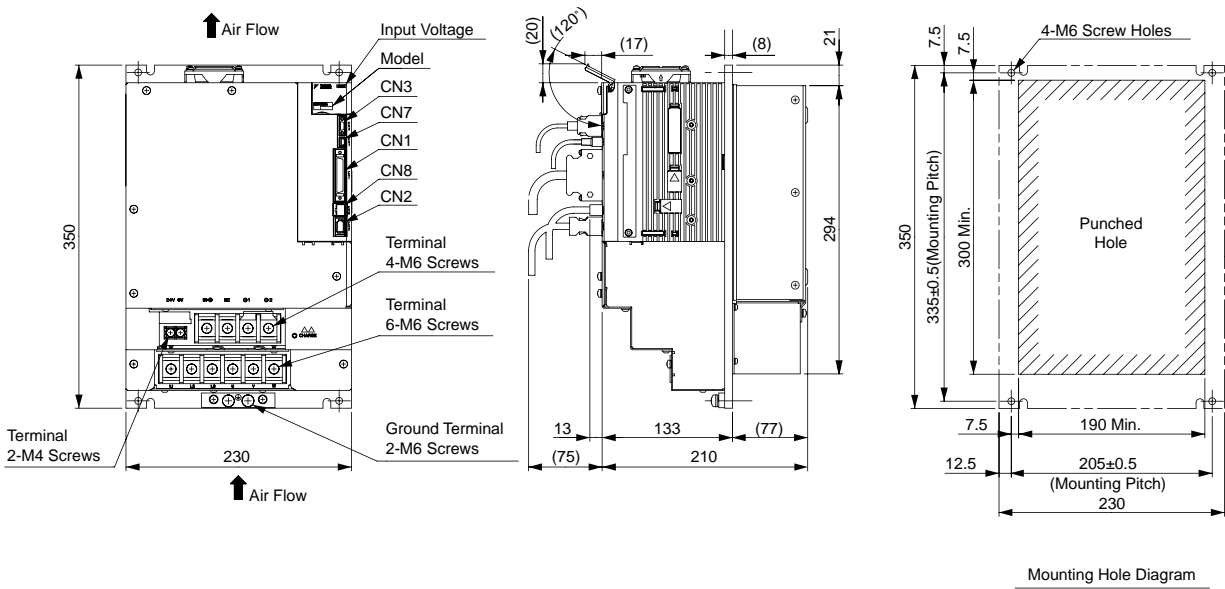
(13) Three-phase 400 VAC, Model: SGDV-170D0□A001



Approx. Mass: 5.7 kg

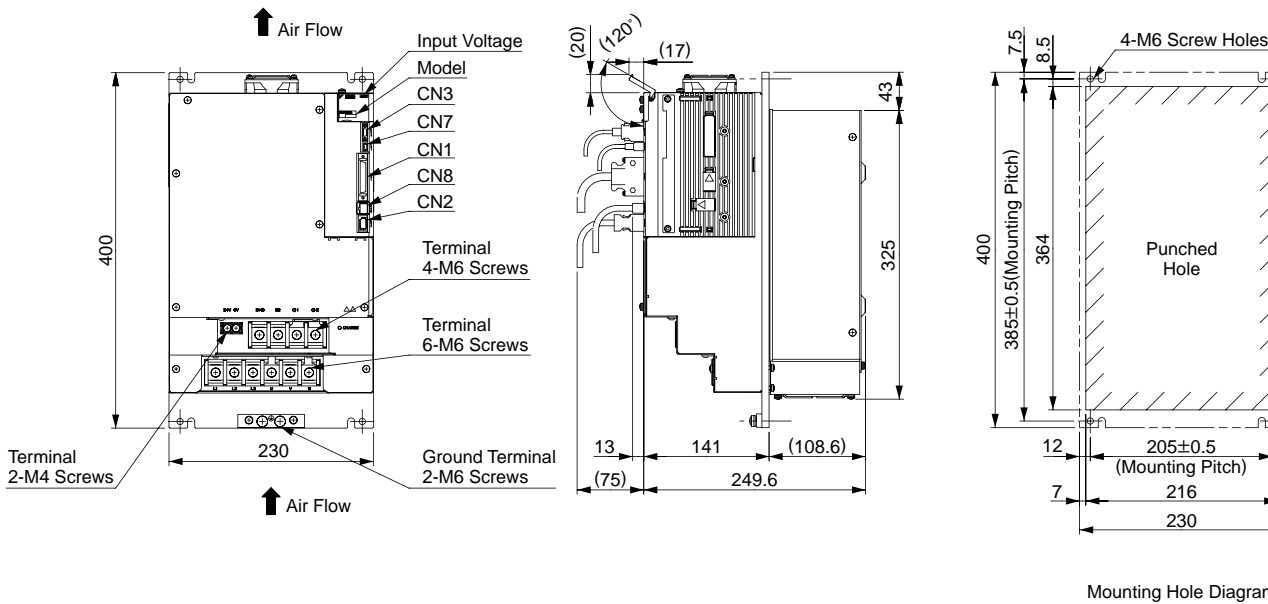
**External Dimensions** Units: mm

(14) Three-phase 400 VAC, Model: SGDV-210D0□A001 and -260D0□A001 (Duct-ventilated type)



Approx. Mass: 8.1 kg

(15) Three-phase 400 VAC, Model: SGDV-280D0□A001 and -370D0□A001 (Duct-ventilated type)



Approx. Mass: 13.6 kg

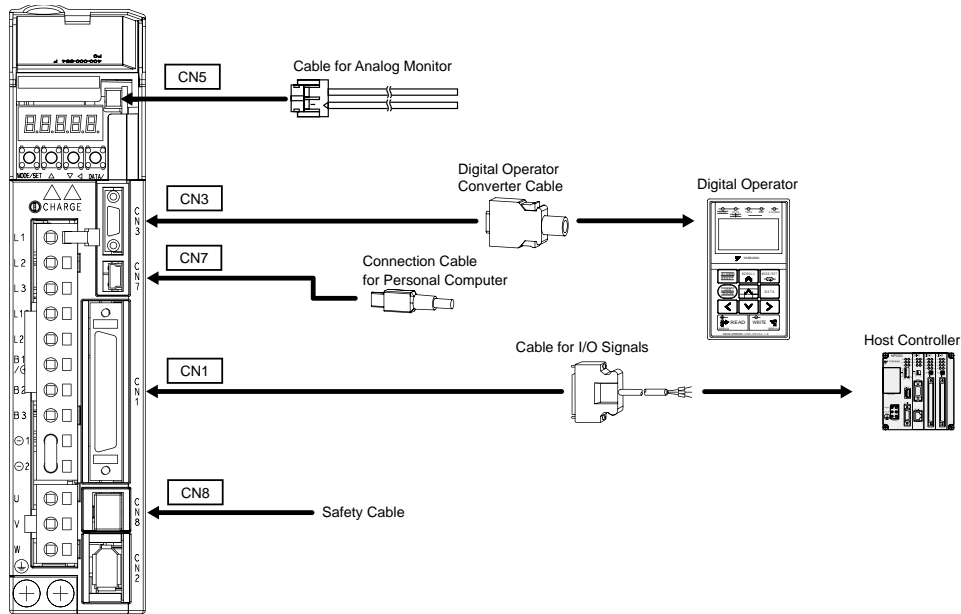
**Connectors for Rack-mounted SERVOPACKS**

Port	Model	Pin	Manufacturer
CN1	10250-52A2PL	50	Sumitomo 3M Ltd.
CN2	53984-0671	6	Molex Japan Co., Ltd.
CN3	HDR-EC14LFD TN-SLE-PLUS	14	Honda Tsushin Kogyo Co., Ltd.
CN7	MNC23-5K5H00	5	ADVANCED-CONNECTEK INC.
CN8	1981080-1	8	Tyco Electronics AMP K.K.

Note: The connectors above or their equivalents are used for SERVOPACKS.

## Selecting Cables

### ● Cables for CN1 CN3 CN5 CN7 CN8 (Analog Voltage/Pulse Train Reference Type SERVOPACKs)



Name	Length	Order No.	Specifications	Details	
<b>CN1</b> Cables for I/O Signals	Connector Terminal Converter Unit	JUSP-TA50PG-E	Terminal Block and 0.5 m Connection Cable	(1)	
	Cables with Loose Wires at One End	1 m	JZSP-CSI01-1-E	Cable with Loose Wires at Peripheral Devices	(2)
		2 m	JZSP-CSI01-2-E		
<b>CN3</b>	Digital Operator	JUSP-OP05A-1-E	With Connection Cable (1 m)	(3)	
	Digital Operator Converter Cable <sup>1</sup>	0.3 m	JZSP-CVS05-A3-E	Cable with Connectors at Both Ends	(4)
<b>CN7</b> Connection Cables for Personal Computer	2.5 m	JZSP-CVS06-02-E	Cable with Connectors at Both Ends	(5)	
<b>CN5</b> Cables for Analog Monitor	1 m	JZSP-CA01-E	SERVOPACK End	(6)	
<b>CN8</b> Cables for Safety Functions	Cables with Connector <sup>2</sup>	3 m	JZSP-CVH03-03-E	(7)	
	Connector Kit <sup>3</sup>	Contact Tyco Electronics AMP K.K. Product name: Industrial Mini I/O D-shape Type1 Plug Connector Kit Model: 2013595-1			

<sup>1</sup> : A converter cable is required to use  $\Sigma$ -III series digital operators (model: JUSP-OP05A) for  $\Sigma$ -V series SERVOPACKs.

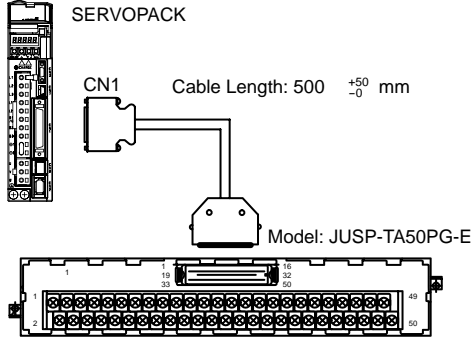
<sup>2</sup> : When using the safety function, connect this cable to the safety devices. Even when not using the safety function, use SERVOPACKs with the Safe Jumper Connector (model: JZSP-CVH05-E) connected.

<sup>3</sup> : Use the connector kit when you make cables yourself.

## Selecting Cables

### (1) Connector Terminal Converter Unit for CN1

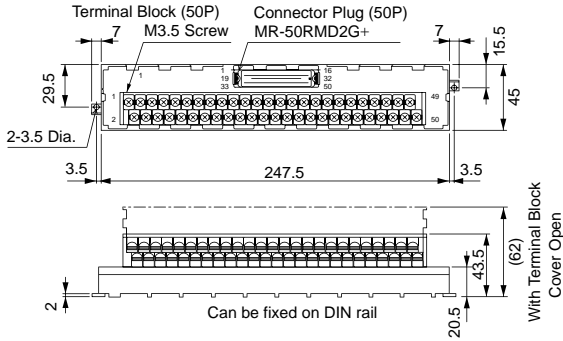
#### · Configurations



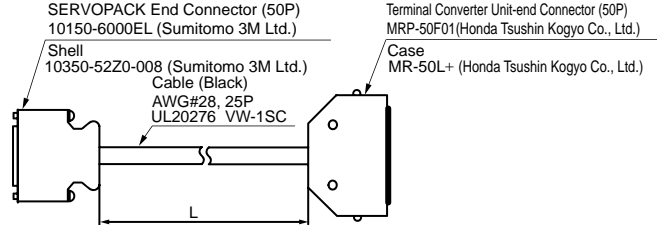
Model	Cable Length (L)
JUSP-TA50PG-E	0.5 m
JUSP-TA50PG-1-E	1 m
JUSP-TA50PG-2-E	2 m

Note: Shaded items are non-stock.

#### · Dimensional Drawings of Terminal Block (Units: mm)

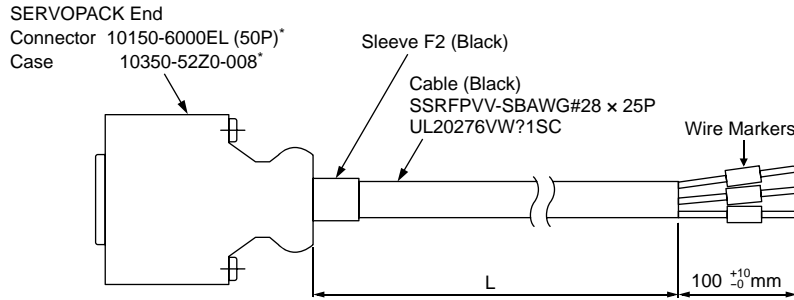


#### · Dimensional Drawings of Cable



### (2) Cable with Loose Wires at One End for CN1

#### · Dimensional Drawings of Cable



\* : Manufactured by Sumitomo 3M Ltd.

Note : See the next page for the connection diagram.

Model	Cable Length (L)
JZSP-CSI01-1-E	1 m
JZSP-CSI01-2-E	2 m
JZSP-CSI01-3-E	3 m

## Selecting Cables Units: mm

### ● Cable with Loose Wires at One End for CN1

#### Connection Diagram of JZSP-CSI01-□-E Cable

Pin No.	Signal	Wire Color	Marking		Host Controller End	Lead Marker
			Color	Dots		
1	SG	Orange	Red	1	1	1
3	PL1	OrangeGr	Black	1	3	3
2	SG	ay	Red	1	2	2
4	SEN	Gray	Black	1	4	4
5	V-REF	White	Red	1	5	5
6	SG	White	Black	1	6	6
7	PULS	Yellow	Red	1	7	7
8	/PULS	Yellow	Black	1	8	8
9	T-REF	Pink	Red	1	9	9
10	SG	Pink	Black	1	10	10
11	SIGN	Orange	Red	2	11	11
12	/SIGN	Orange	Black	2	12	12
13	PL2	Gray	Red	2	13	13
14	/CLR	White	Red	2	14	14
15	CLR	White	Black	2	15	15
16	-	Gray	Black	2	16	16
17	-	Yellow	Red	2	17	17
18	PL3	Yellow	Black	2	18	18
19	PCO	Pink	Red	2	19	19
20	/PCO	Pink	Black	2	20	20
21	BAT (+)	Orange	Red	3	21	21
22	BAT (-)	Orange	Black	3	22	22
23	-	Gray	Red	3	23	23
24	-	Gray	Black	3	24	24
25	/V-CMP+	White	Red	3	25	25
26	/V-CMP-	White	Black	3	26	26
27	/TGON+	Yellow	Red	3	27	27
28	/TGON-	Yellow	Black	3	28	28
29	/S-RDY+	Pink	Red	3	29	29
30	/S-RDY-	Pink	Black	3	30	30
31	ALM+	Orange	Red	4	31	31
32	ALM-	Orange	Black	4	32	32
33	PAO	Gray	Red	4	33	33
34	/PAO	Gray	Black	4	34	34
35	PBO	White	Red	4	35	35
36	/PBO	White	Black	4	36	36
37	ALO1	Yellow	Red	4	37	37
38	ALO2	Yellow	Black	4	38	38
39	ALO3	Pink	Red	4	39	39
40	/S-ON	Pink	Black	4	40	40
41	/P-CON	Orange	Red	5	41	41
42	P-OT	Orange	Black	5	42	42
43	N-OT	Gray	Red	5	43	43
44	/ALM-RST	Gray	Black	5	44	44
45	/P-CL	White	Red	5	45	45
46	/N-CL	White	Black	5	46	46
47	+24V-IN	Yellow	Red	5	47	47
48	-	Pink	Red	5	48	48
49	-	Pink	Black	5	49	49
50	-	Yellow	Black	5	50	50
Case	Shield					

: Represents twisted-pair wires.

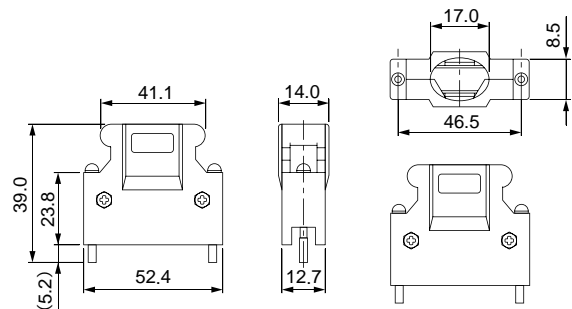
### ● Connector Kit for CN1

Use the following connector and cable to assemble the cable. The CN1 connector kit includes one case and one connector.

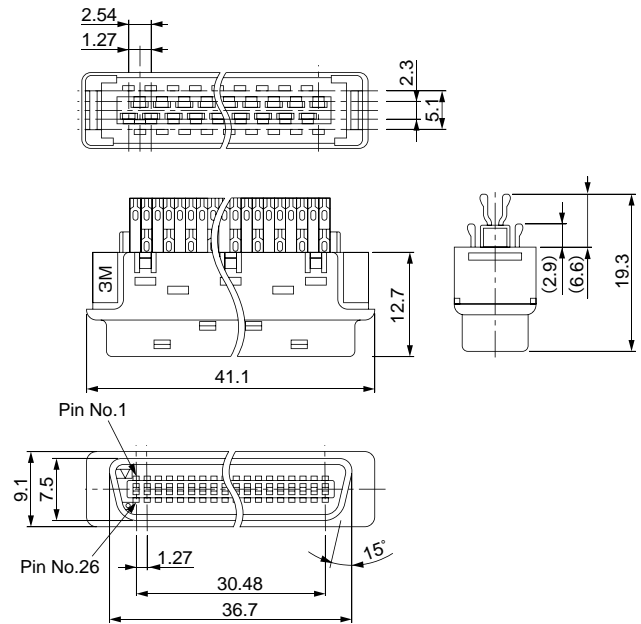
Connector Kit Model	Case		Connector	
	Model	Qty	Model	Qty
JZSP-CSI9-1-E	10350-52Z0-008*	1 set	10150-3000PE* (Soldered)	1

\* : Manufactured by Sumitomo 3M Ltd.

#### · Dimensional Drawings of Case



#### · Dimensional Drawings of Connector



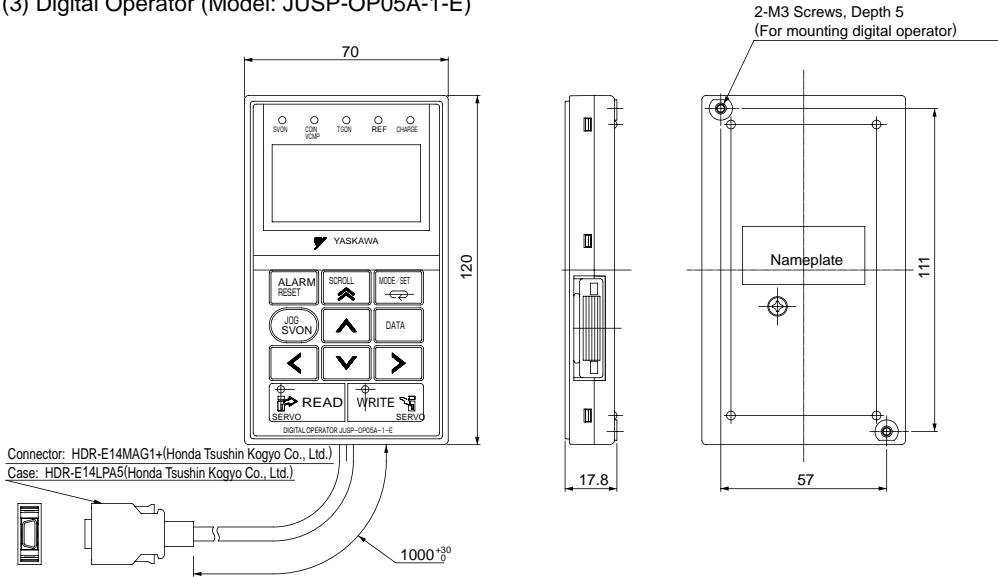
#### · Cable Size

Item	Specifications
Cable	Use twisted-pair or twisted-pair shielded wire.
Applicable Wires	AWG 24, 26, 28, 30
Cable Finished Diameter	16 dia. max.



Selecting Cables Units: mm

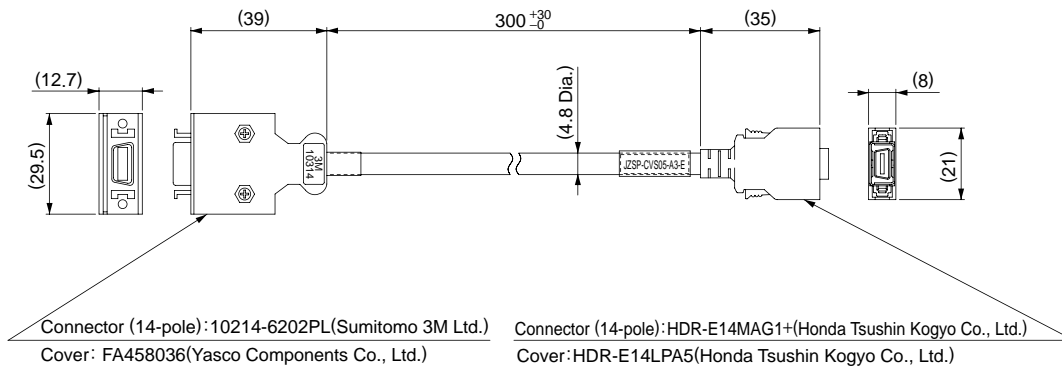
(3) Digital Operator (Model: JUSP-OP05A-1-E)



(4) Digital Operator Converter Cable for CN3  
 (Model: JZSP-CVS05-A3-E)

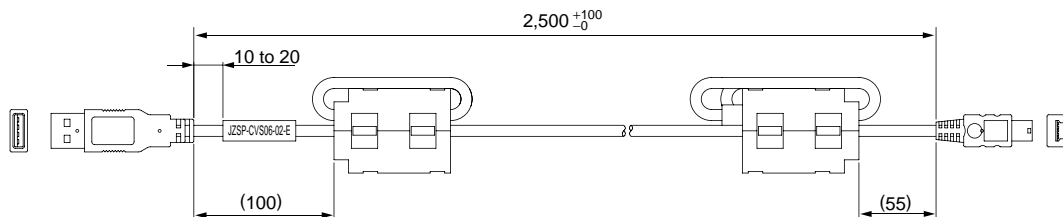
A converter cable is required to use  $\Sigma$ -III series digital operators (model: JUSP-OP05A) for  $\Sigma$ -V series SERVOPACKs.

· Dimensional Drawings



(5) Connection Cable for Personal Computer for CN7  
 (Model: JZSP-CVS06-02-E)

· Dimensional Drawings

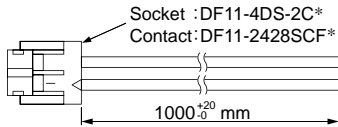


**IMPORTANT** Use a cable specified by Yaskawa.  
 When using other cables, operation cannot be guaranteed.

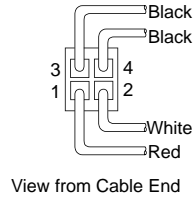
## Selecting Cables Units: mm

### (6) Cable for Analog Monitor for CN5 (Model: JZSP-CA01-E)

#### · Dimensional Drawings



\* : Manufactured by Hirose Electric Corporation.



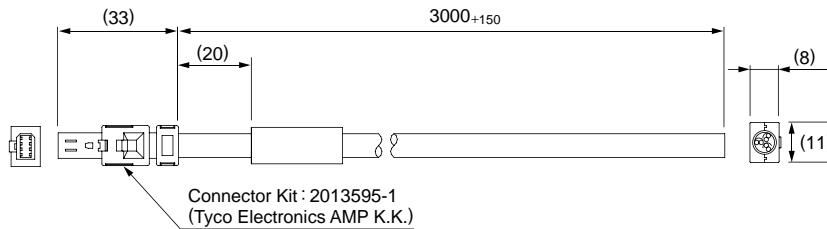
#### · Specifications

Pin No.	Cable Color	Signal	Standard Settings
1	Red	Analog Monitor 2	Motor speed : 1V/1000 min <sup>-1</sup>
2	White	Analog Monitor 1	Torque reference : 1V/100% rated torque
3, 4	Black (2 cables)	GND(0V)	-

Note : The specifications above are factory settings. Monitor specifications can be changed by changing parameters Pn006 and Pn007.

### (7) Cable with Connector for CN8 (Model: JZSP-CVH03-03-E)

#### · Dimensional Drawings



Connector Kit : 2013595-1  
(Tyco Electronics AMP K.K.)

#### · Specifications

Pin No.	Signal	Lead Color	Marking Color
1	Not used	-	-
2	Not used	-	-
3	/HWBB1-	White	Black
4	/HWBB1□	White	Red
5	/HWBB2-	Gray	Black
6	/HWBB2□	Gray	Red
7	EDM1-	Orange	Black
8	EDM1□	Orange	Red



# MECHATROLINK-II Communications Reference Type SERVOPACKs

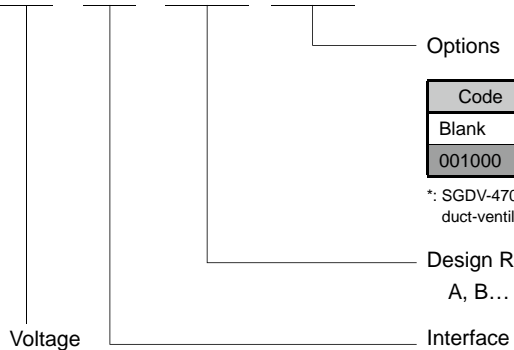


## SGDV-□□□□11 (For Rotary Servomotors)

## SGDV-□□□□15 (For Linear Servomotors)

### Model Designations

SGDV - R70 A 11 A □



Code	Specifications
Blank	Base-mounted (standard)
001000	Rack-mounted*

\*: SGD-470A, -550A, -590A, -780A SERVOPACKs are duct-ventilated.

Code	Specifications
F	100 VAC
A	200 VAC
D	400 VAC

Code	Specifications
11	MECHATROLINK-II communications Reference Type (for rotary servomotors)
15	MECHATROLINK-II communications Reference Type (for linear servomotors)

100 V (Single Phase)		200 V (Three Phase)		400 V (Three Phase)	
Code	Applicable Servomotor Max. Capacity kW	Code	Applicable Servomotor Max. Capacity kW	Code	Applicable Servomotor Max. Capacity kW
R70	0.05	R70*	0.05	1R9	0.5
R90	0.1	R90*	0.1	3R5	1.0
2R1	0.2	1R6*	0.2	5R4	1.5
2R8	0.4	2R8*	0.4	8R4	2.0
		3R8	0.5	120	3.0
		5R5*	0.75	170	5.0
		7R6	1.0	210	6.0
		120♣	1.5	260	7.5
		180	2.0	280	11
		200	3.0	370	15
		330	5.0		
		470	6.0		
		550	7.5		
		590	11		
		780	15		

NOTE: Shaded items are non-stock.

\* These amplifiers can be powered with single or three-phase.  
♣ SGD-120A□1A008000, a special version of the 1.5kW amplifier can be used for single-phase operation.

# Features

## ● Real-time communications

MECHATROLINK-II communications enable high-speed control for 30 stations at a maximum transmission speed of 10 Mbps in a transmission cycle from 250  $\mu$ s to 4 ms (user setting). Such a high transmission speed allows real-time transmission of various data required for control.

## ● Cost savings

Thirty stations can be connected to a single MECHATROLINK-II transmission line, so wiring costs and time are greatly reduced. Also, only one signal connector is required on the host controller. And, the all-digital network eliminates the need for conversion from digital to analog for speed/torque references and for a pulse generator to generate position references.

## ● High-precision motion control

The SGD V SERVOPACK when connected to the host controller in the MECHATROLINK-II network provides not only torque, position, and speed control but also synchronized phase control that requires advanced control technology. The control mode can be changed online so that the machine can move smoothly in complex motions with great efficiency.

# Ratings

## Single-phase 100 V

SERVOPACK Model	SGDV-□□□□	R70F	R90F	2R1F	2R8F
Applicable Servomotor Max. Capacity	kW	0.05	0.1	0.2	0.4
Continuous Output Current	A <sub>rms</sub>	0.66	0.91	2.1	2.8
Max. Output Current	A <sub>rms</sub>	2.1	2.9	6.5	9.3
Main Circuit (Single Phase)		100 to 115 VAC+10% to -15% 50/60 Hz			
Control Circuit (Single Phase)		100 to 115 VAC+10% to -15% 50/60 Hz			

## Single-phase 200 V

SERVOPACK Model	SGDV-□□□□	R70A	R90A	1R6A	2R8A	5R5A	120
Applicable Servomotor Max. Capacity	kW	0.05	0.1	0.2	0.4	0.75	1.5
Continuous Output Current	A <sub>rms</sub>	0.66	0.91	1.6	2.8	5.5	11.6
Max. Output Current	A <sub>rms</sub>	2.1	2.9	6.5	9.3	16.9	28
Main Circuit (Single Phase)		220 to 230 VAC+10% to -15% 50/60 Hz					
Control Circuit (Single Phase)		220 to 230 VAC+10% to -15% 50/60 Hz					

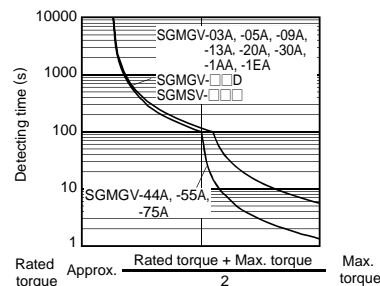
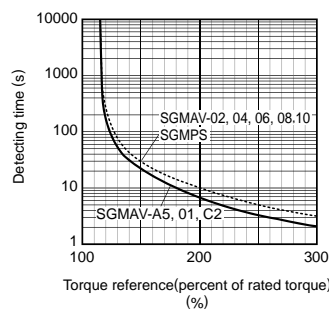
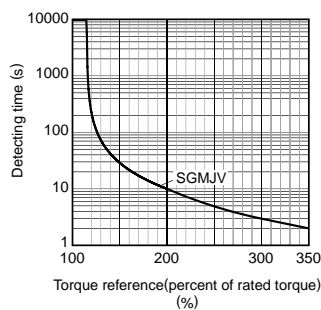
## Three-phase 200 V

SERVOPACK Model	SGDV-□□□□	R70A	R90A	1R6A	2R8A	3R8A	5R5A	7R6A	120A	180A	200A	330A	470A	550A	590A	780A
Applicable Servomotor Max. Capacity	kW	0.05	0.1	0.2	0.4	0.5	0.75	1.0	1.5	2.0	3.0	5.0	6	7.5	11	15
Continuous Output Current	A <sub>rms</sub>	0.66	0.91	1.6	2.8	3.8	5.5	7.6	11.6	18.5	19.6	32.9	46.9	54.7	58.6	78
Max. Output Current	A <sub>rms</sub>	2.1	2.9	6.5	9.3	11	16.9	17	28	42	56	84	110	130	140	170
Main Circuit		Three-phase 200 to 230 VAC+10% to -15% 50/60 Hz														
Control Circuit		Single-phase 200 to 230 VAC+10% to -15% 50/60 Hz														

## Three-phase 400 V

SERVOPACK Model	SGDV-□□□□	1R9D	3R5D	5R4D	8R4D	120D	170D	210D	260D	280D	370D
Applicable Servomotor Max. Capacity	kW	0.5	1.0	1.5	2.0	3.0	5.0	6	7.5	11	15
Continuous Output Current	A <sub>rms</sub>	1.9	3.5	5.4	8.4	11.9	16.5	20.8	25.4	28.1	37.2
Max. Output Current	A <sub>rms</sub>	5.5	8.5	14	20	28	42	55	65	70	85
Main Circuit		Three-phase 380 to 480 VAC+10% to -15% 50/60 Hz									
Control Circuit		24 VDC $\pm$ 15%									

## ● SERVOPACK Overload Characteristics



Note: Overload characteristics shown above do not guarantee continuous duty of 100% or more output. Use a servomotor with effective torque within the continuous duty zone of Torque-Motor Speed Characteristics.

# Specifications

Items			Specifications
Input Power Supply	Main Circuit	100 V	Single-phase 100 to 115 VAC + 10% to - 15% 50/60 Hz
		200 V	Three-phase 200 to 230 VAC + 10% to - 15% 50/60 Hz
		400 V	Three-phase 380 to 480 VAC + 10% to - 15% 50/60 Hz
	Control Circuit	100 V	Single-phase 100 to 115 VAC + 10% to - 15% 50/60 Hz
		200 V	Single-phase 200 to 230 VAC + 10% to - 15% 50/60 Hz
		400 V	24 VDC ± 15%
Control Method			For 100 V, for 200 V, for 400 V, single-phase or three-phase full-wave rectification IGBT PWM control, sine-wave driven
Feedback	Rotary Servomotors		Serial encoder: 13-bit (incremental encoder) : 17-bit (incremental/absolute encoder) : 20-bit (incremental/absolute encoder)
	Linear Servomotors		Serial converter or serial data
Operating Conditions	Surrounding/Storage Temperature		Surrounding temperature: 0 to +55°C, storage temperature: -20 to +85°C
	Ambient/Storage Humidity		90%RH or less (no condensation)
	Vibration/Shock Resistance		Vibration resistance: 4.9 m/s <sup>2</sup> , Shock resistance: 19.8 m/s <sup>2</sup>
	Protection class/Pollution degree		Protection class: IP 1X, pollution degree: 2 Do not use SERVOPACKs in the following locations: ·Locations subject to corrosive or flammable gases ·Locations subject to exposure to water, oil, or chemicals ·Locations subject to dust, including iron dust, and salts
	Others		Do not use SERVOPACKs in the following locations: ·Locations subject to static electricity noise, strong electromagnetic/magnetic fields, radioactivity
	Elevation		1000 m or less
Compliant Standards			UL 508C EN50178, EN55011 class A group 1, EN61800-3, EN61800-5-1
Configuration			Base-mounted (Rack-mounting available as an option for some models. 6 kW or more models are duct-ventilated.)
Performance	Speed Control Range		1:5000 (The lowest speed of the speed control range is the speed at which the servomotor will not stop with a rated torque load.)
	Speed Regulation*	Load Regulation	0% to 100% load: ±0.01% max. (at rated speed)
		Voltage Regulation	Rated voltage: ±10% : 0% (at rated speed)
		Temperature Regulation	25 ± 25°C : ±0.1% max. (at rated speed)
	Torque Control Tolerance (Repeatability)		± 1%
Soft Start Time Setting		0 to 10 s (can be set individually for acceleration and deceleration.)	
I/O Signals	Encoder Output Pulses		Phase A, phase B, phase C: line driver output The number of dividing pulse: Any setting ratio is available.
Communications	RS-422A Communications	Interface	Digital operator, RS-422A port of personal computers etc.
		1:N communications	RS-422A port: N= 15 max. available
		Axis address setting	Set by parameters
	USB Communications	Interface	Status display, parameter settings, adjustment functions, utility functions
		1:N communications	Personal computers (application: engineering tool SigmaWin+) Compliant with USB1.1 standard
	Function	Status display, parameter settings, adjustment functions, utility functions	
Display	Power Charge		CHARGE for main circuit power supply input confirmation One LED (orange)
Analog Monitor			Analog monitor connector built in for monitoring speed, torque and other reference signals. Number of points: 2
Protective Functions			Overcurrent, Overvoltage, low voltage, overload, regeneration error
Utility Functions			Alarm history, JOG operation, origin search, etc.
Regenerative Processing			100 VAC model: External regenerative resistor (optional) 200 VAC SGD V-R70A, -R90A, -1R6A, -2R8A: External regenerative resistor (optional) 200 VAC SGD V-470A, -550A, -590A, -780A: External regenerative resistor unit (optional) 200 VAC models other than shown above: Built-in regenerative resistor 400 VAC SGD V-210D, -260D, -280D, -370D: External regenerative resistor unit (optional) 400 VAC models other than shown above: Built-in regenerative resistor
Safety Functions	Input		/HWBB1, /HWBB2: Hard wire base block signal
	Output		EDM1: Status monitor (fixed output) of built-in safety circuit
	Compliant Standards		EN954 category 3 Stop category 0, IEC61508 SIL 2
Option Card Function	Feedback		Serial encoder communications input for fully-closed loop control

\*: Speed regulation is defined as follows:

$$\text{Speed regulation} = \frac{\text{No-load motor speed} - \text{Total load motor speed}}{\text{Rated motor speed}} \times 100\%$$

The motor speed may change due to voltage variations or temperature variation. The ratio of speed changes to the rated speed represent speed regulation due to voltage and temperature variations.

## Specifications

### ● Rotary Servomotors

Items		Specifications			
I/O Signal	Encoder Output Pulses		Phase A, phase B, phase C: line driver output The number of dividing pulse: Any setting ratio is available.		
	Sequence Input	Number of Channels	7 channels		
		Function	Signal allocations and positive/negative logics can be modified. Homing deceleration switch signal (/DEC), external latch signal (/EXT1 to 3), forward run prohibited (P-OT), reverse run prohibited (N-OT), forward current limit (/P-CL), reverse current limit (/N-CL)		
	Sequence Output	Fixed Output	Servo alarm (ALM)		
		Output Signals which can be allocated	<table border="1"> <tr> <td>Number of Channels</td> <td>3 channels</td> </tr> <tr> <td>Function</td> <td>Signal allocations and positive/negative logics can be modified. Positioning completion (/COIN), speed coincidence detection (/V-CMP), servomotor rotation detection (/TGON), servo ready (/S-RDY), torque limit detection (/CLT), speed limit detection (/VLT), brake interlock (/BK), warning (/WARN), NEAR (/NEAR)</td> </tr> </table>	Number of Channels	3 channels
Number of Channels	3 channels				
Function	Signal allocations and positive/negative logics can be modified. Positioning completion (/COIN), speed coincidence detection (/V-CMP), servomotor rotation detection (/TGON), servo ready (/S-RDY), torque limit detection (/CLT), speed limit detection (/VLT), brake interlock (/BK), warning (/WARN), NEAR (/NEAR)				
Panel Operator		Display	7-segment 1-digit LED (red)		
		Switch	Rotary switch: 16 positions, DIP switch: 4 poles		
MECHATROLINK Communications		Communications Protocol	MECHATROLINK-II      MECHATROLINK-I		
		Transmission Speed	10 Mbps      4 Mbps		
		Transmission Cycle	250 $\mu$ s, 0.5 to 4.0 ms (multiple of 0.5 ms)      2 ms		
		Number of Words for Link Transmission	Can be switched between 17-bytes /station and 32-bytes / station.      17-bytes /station		
		Station Address	41H to 5FH (max. number of slaves: 30)		
Command Method		Performance	Position control, speed control, and torque control through MECHATROLINK communications		
		Command Input	MECHATROLINK commands (for sequence, motion, data setting/reference, monitor, adjustment, and other commands.)		

### ● Linear Servomotors

Items		Specifications			
I/O Signal	Encoder Output Pulses		Phase A, phase B, phase C: line driver output The number of dividing pulse: Any setting ratio is available.		
	Sequence Input	Number of Channels	7 channels		
		Function	Signal allocations and positive/negative logics can be modified. Homing deceleration switch signal (/DEC), external latch signal (/EXT1 to 3), forward run prohibited (P-OT), reverse run prohibited (N-OT), forward current limit (/P-CL), reverse current limit (/N-CL)		
	Sequence Output	Fixed Output	Servo alarm (ALM)		
		Output Signals which can be allocated	<table border="1"> <tr> <td>Number of Channels</td> <td>3 channels</td> </tr> <tr> <td>Function</td> <td>Signal allocations and positive/negative logics can be modified. Positioning completion (/COIN), speed coincidence detection (/V-CMP), servomotor movement detection (/TGON), servo ready (/S-RDY), force limit detection (/CLT), speed limit detection (/VLT), brake interlock (/BK), warning (/WARN), NEAR (/NEAR)</td> </tr> </table>	Number of Channels	3 channels
Number of Channels	3 channels				
Function	Signal allocations and positive/negative logics can be modified. Positioning completion (/COIN), speed coincidence detection (/V-CMP), servomotor movement detection (/TGON), servo ready (/S-RDY), force limit detection (/CLT), speed limit detection (/VLT), brake interlock (/BK), warning (/WARN), NEAR (/NEAR)				
Panel Operator		Display	7-segment 1-digit LED (red)		
		Switch	Rotary switch: 16 positions, piano switch: 4 poles		
MECHATROLINK Communications		Communications Protocol	MECHATROLINK-II      MECHATROLINK-I		
		Transmission Speed	10 Mbps      4 Mbps		
		Transmission Cycle	250 $\mu$ s, 0.5 to 4.0 ms (multiple of 0.5 ms)      2 ms		
		Number of Words for Link Transmission	Can be switched between 17-bytes /station and 32-bytes / station.      17-bytes /station		
		Station Address	41H to 5FH (max. number of slaves: 30)		
Command Method		Performance	Position control, speed control, and force control through MECHATROLINK-II communications		
		Command Input	MECHATROLINK commands and MECHATROLINK-II commands (for sequence, motion, data setting/reference, monitor, adjustment, and other commands.)		

## Power Supply Capacities and Power Losses

The following table shows SERVOPACK's power supply capacities and power losses at the rated output.

Main Circuit Power Supply	Applicable Servomotor Max. Capacity kW	SERVOPACK Model SGDV-	Power Supply Capacity kVA	Output Current A	Main Circuit Power Loss W	Regenerative Resistor Power Loss	Control Circuit Power Loss	Total Power Loss
						W	W	W
Signal-phase 100 V	0.05	R70F	0.2	0.66	5.4	—	17	22.4
	0.1	R90F	0.3	0.91	7.8			24.8
	0.2	2R1F	0.7	2.1	14.4			31.4
	0.4	2R8F	1.4	2.8	25.6			42.6
Single-phase 200 V	0.05	R70A	0.2	0.66	5.2	—	17	22.2
	0.1	R90A	0.3	0.91	7.4			24.4
	0.2	1R6A	0.7	1.6	13.7			30.7
	0.4	2R8A	1.2	2.8	24.9			41.9
	0.75	5R5A	1.9	5.5	52.7	8	77.7	
	1.5	120A	4	11.6	68.2	10	22	100.2
Three-phase 200 V	0.05	R70A	0.2	0.66	5.1	—	17	22.1
	0.1	R90A	0.3	0.91	7.3			24.3
	0.2	1R6A	0.6	1.6	13.5			30.5
	0.4	2R8A	1	2.8	24.0			41.0
	0.5	3R8A	1.4	3.8	20.1	8	17	45.1
	0.75	5R5A	1.6	5.5	43.8			68.8
	1.0	7R6A	2.3	7.6	53.6	10	17	78.6
	1.5	120A	3.2	11.6	65.8			97.8
	2.0	180A	4	18.5	111.9	16	22	149.9
	3.0	200A	5.9	19.6	113.8			161.4
	5.0	330A	7.5	32.9	263.7	36	27	326.7
	6.0	470A	10.7	46.9	279.4			(180) <sup>11</sup>
	7.5	550A	14.6	54.7	357.8	(350) <sup>12</sup>	48	390.8
	11	590A	21.7	58.6	431.7			479.7
15	780A	29.6	78	599.0			647.0	
Three-phase 400 V	0.5	1R9D	1.1	1.9	24.6	14	21	59.6
	1.0	3R5D	2.3	3.5	46.1			81.1
	1.5	5R4D	3.5	5.4	71.3			106.3
	2.0	8R4D	4.5	8.4	77.9	28	25	130.9
	3.0	120D	7.1	11.9	108.7			161.7
	5.0	170D	11.7	16.5	161.1	36	24	221.1
	6.0	210D	12.4	20.8	172.7			199.7
	7.5	260D	14.4	25.7	218.6	(180) <sup>13</sup>	27	245.6
	11	280D	21.9	28.1	294.6			324.6
	15	370D	30.6	37.2	403.8	(350) <sup>14</sup>	30	433.8

\*1: For the optional JUSP-RA04-E regenerative resistor unit.

\*2: For the optional JUSP-RA05-E regenerative resistor unit.

\*3: For the optional JUSP-RA18-E regenerative resistor unit.

\*4: For the optional JUSP-RA19-E regenerative resistor unit.

Notes: 1 SGDV-R70F, -R90F, -2R1F, -2R8F, -R70A, -R90A, -1R6A, and -2R8A SERVOPACKs do not have built-in regenerative resistors.

If the regenerative energy exceeds the specified value, connect an external regenerative resistor (optional).

2 SGDV-470A, -550A, -590A, -780A, -210D, -260D, -280D, -370D SERVOPACKs do not have built-in regenerative resistors.

Be sure to connect a regenerative resistor unit (optional) or an external regenerative resistor (optional). For selection details, refer to page 339.

3 Regenerative resistor power losses are allowable losses. Take the following action if this value is exceeded.

- Remove the lead or short bar that is short-circuiting the SERVOPACK main circuit terminal B2 and B3.

- (SGDV-3R8A, -5R5A, -7R6A, -120A, -180A, -200A, -330A, or 400-V class SERVOPACKs.)

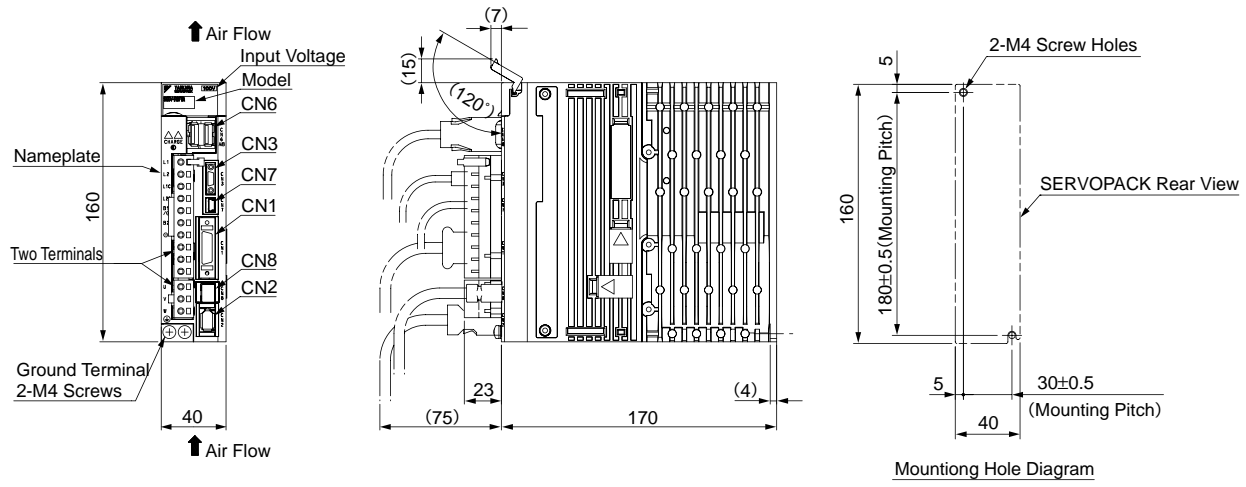
- Install an external regenerative resistor (optional). For selection details, refer to page 339.



**External Dimensions** Units: mm

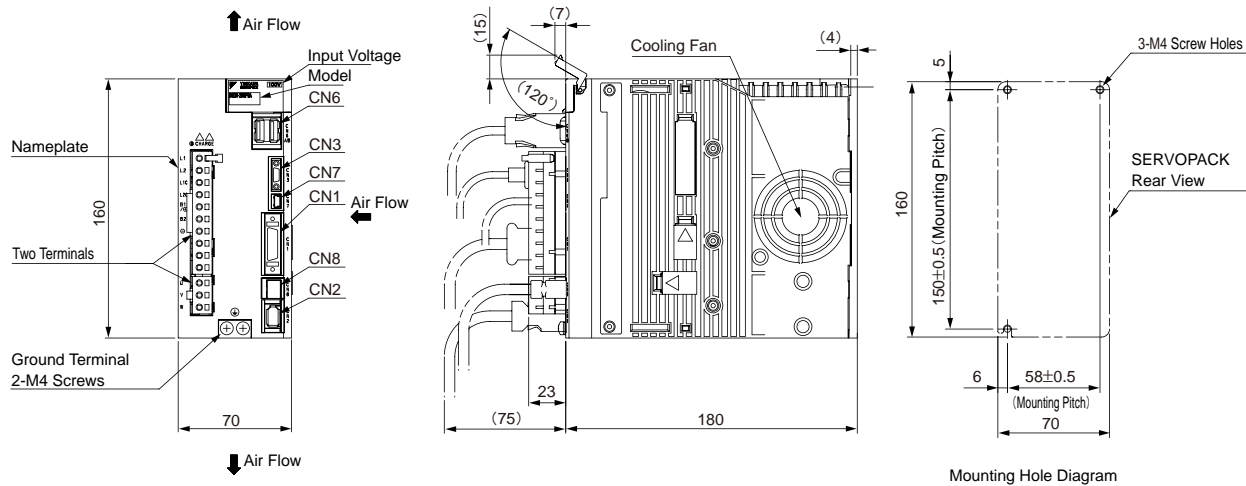
● **Base-mounted SERVOPACKS**

(1) Single-phase 100 VAC, Model: SGDV-R70F1□A, -R90F1□A, and -2R1F1□A



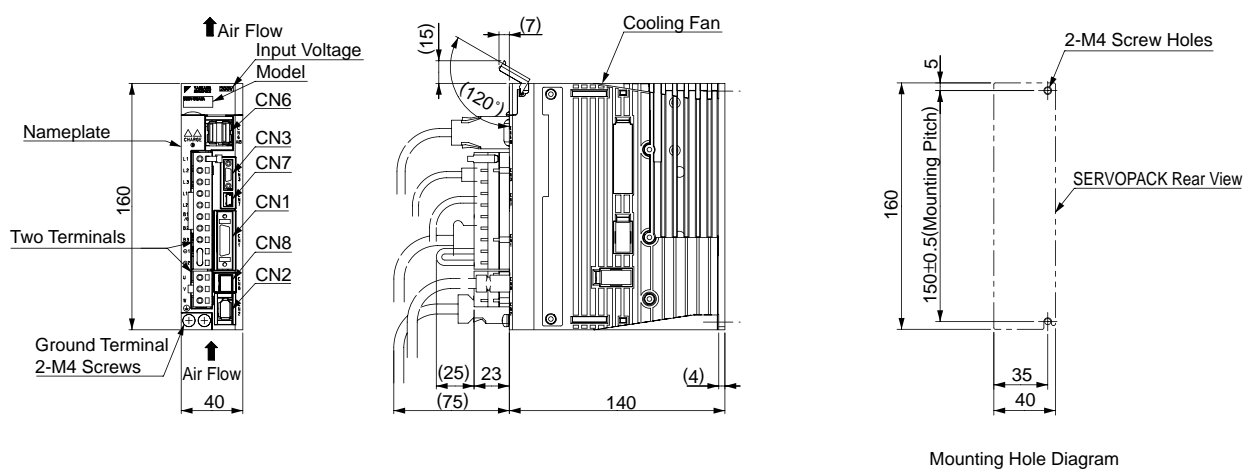
Approx. Mass: 1.0 kg

(2) Single-phase 100 VAC, Model: SGDV-2R8F1□A



Approx. Mass: 1.5 kg

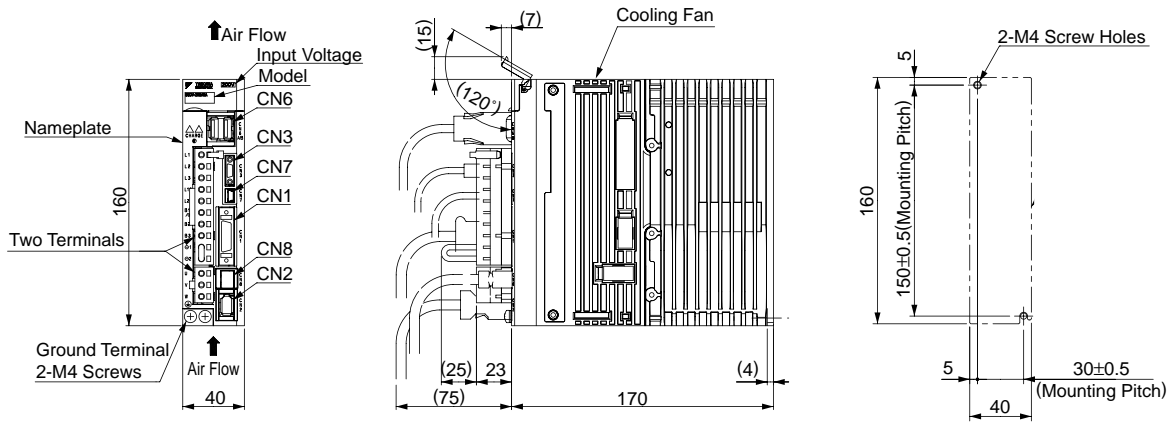
(3) Three-phase 200 VAC, Model: SGDV-R70A1□A, -R90A1□A, and -1R6A1□A



Approx. Mass: 0.9 kg

**External Dimensions** Units: mm

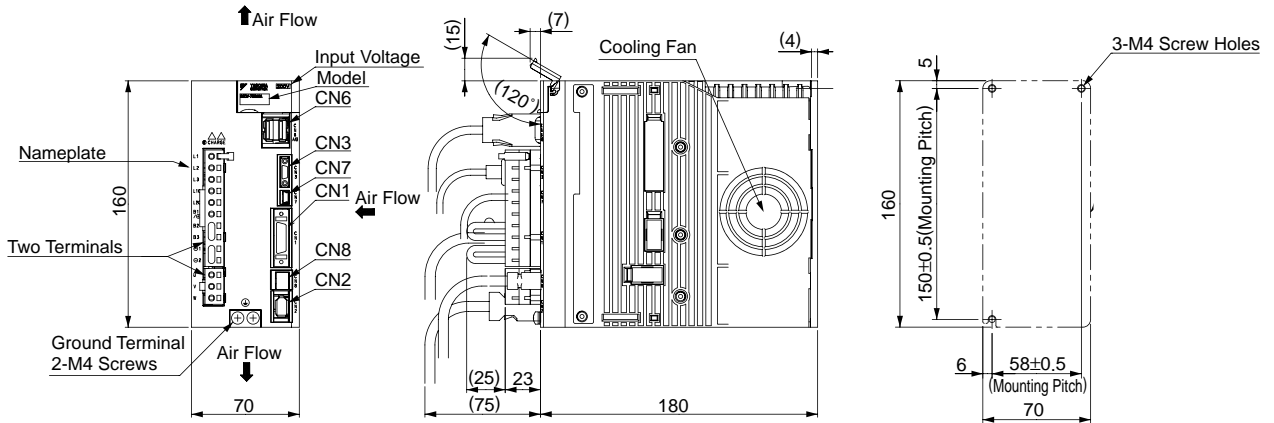
(4) Three-phase 200 VAC, Model: SGDV-2R8A1□A



Mounting Hole Diagram

Approx. Mass: 1.0 kg

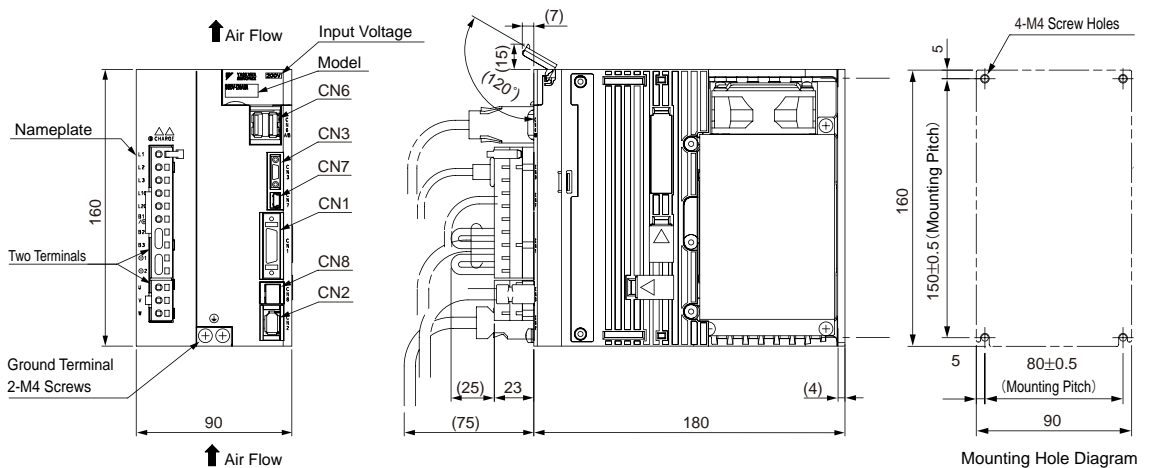
(5) Three-phase 200 VAC, Model: SGDV-3R8A1□A, -5R5A1□A, and -7R6A1□A



Mounting Hole Diagram

Approx. Mass: 1.5 kg

(6) Three-phase 200 VAC, Model: SGDV-120A1□A

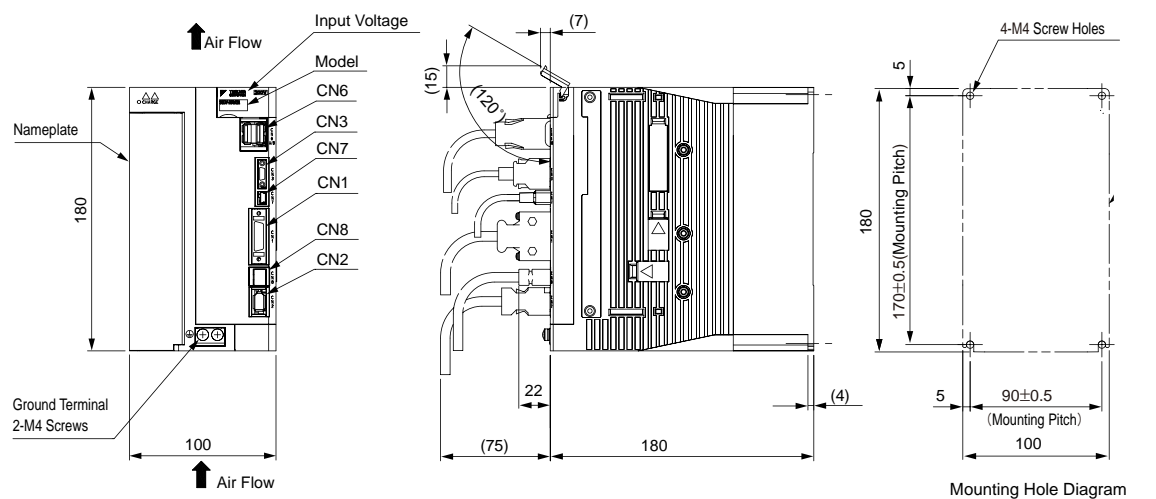


Mounting Hole Diagram

Approx. Mass: 2.4 kg

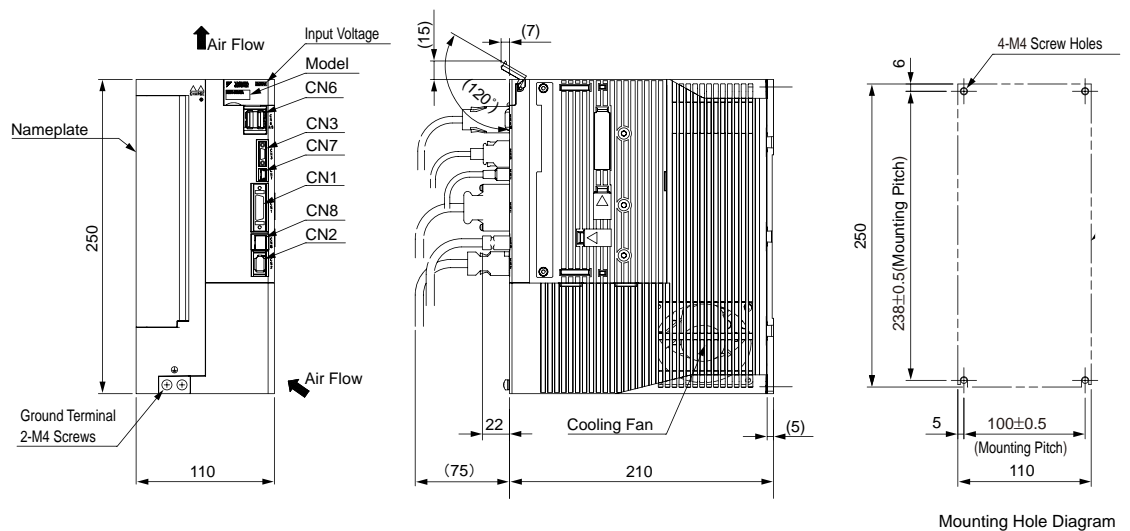
**External Dimensions** Units: mm

(7) Single-phase 200 VAC, Model: SGDV-120A1□A008000 (1.5 kW, single-phase input type)  
 Three-phase 200 VAC, Model: SGDV-180A1□A and -200A1□A



Approx. Mass: 2.8 kg

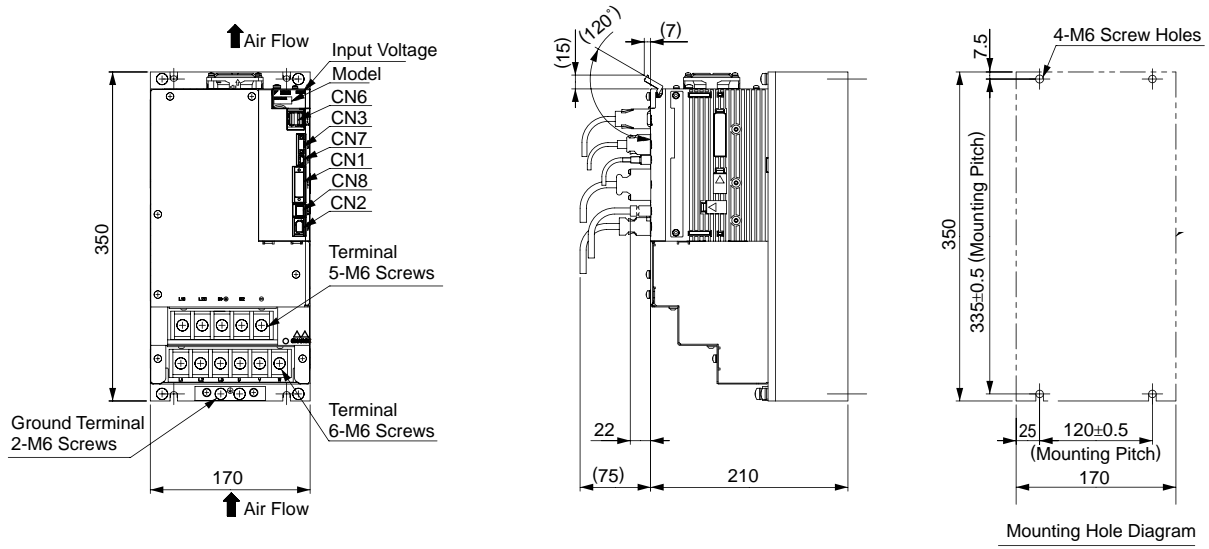
(8) Three-phase 200 VAC, Model: SGDV-330A1□A



Approx. Mass: 4.6 kg

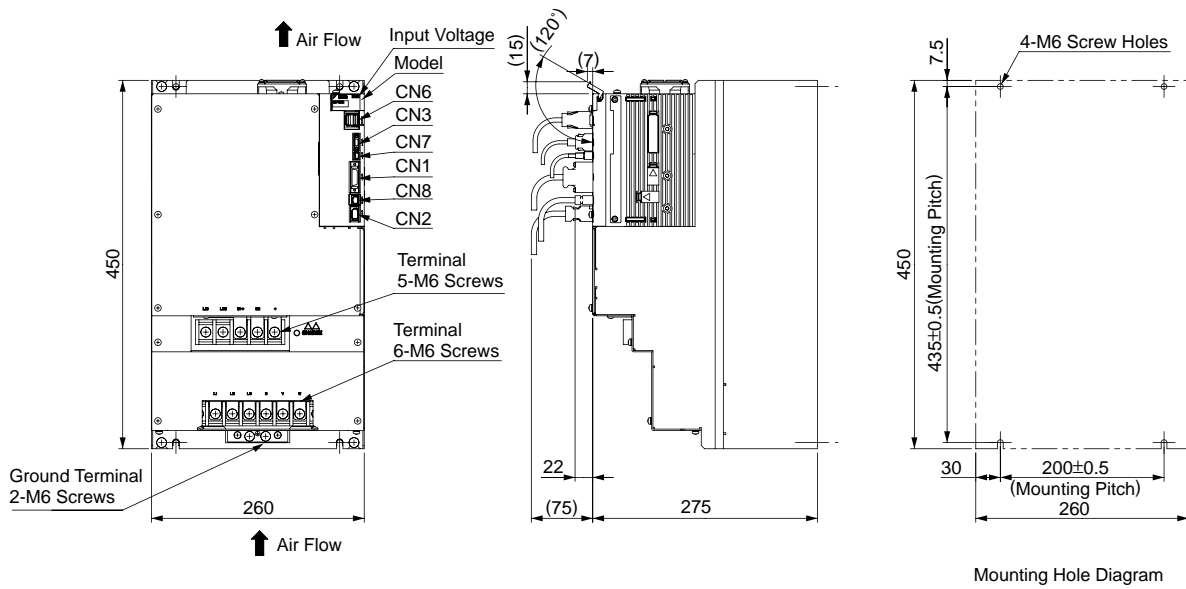
**External Dimensions** Units: mm

(9) Three-phase 200 VAC, Model: SGDV-470A1□A and -550A1□A



Approx. Mass: 10.2 kg

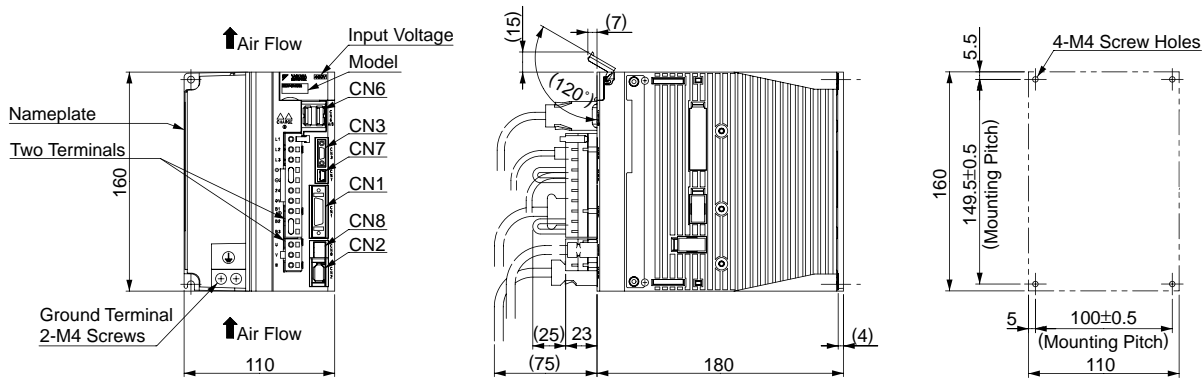
(10) Three-phase 200 VAC, Model: SGDV-590A1□A and -780A1□A



Approx. Mass: 21.0 kg

**External Dimensions** Units: mm

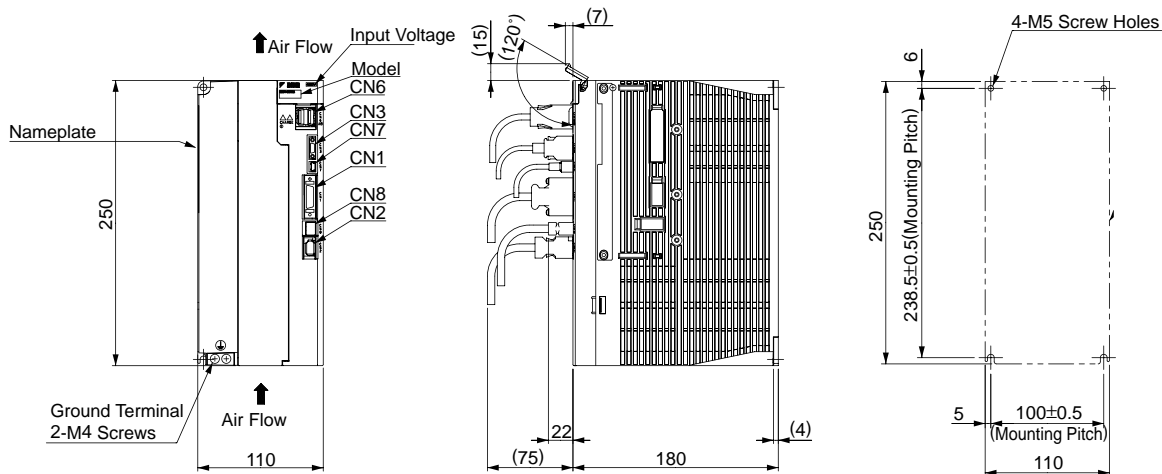
(11) Three-phase 400 VAC, Model: SGDV-1R9D1□A, -3R5D1□A, and -5R4D1□A



Mounting Hole Diagram

Approx. Mass: 2.7 kg

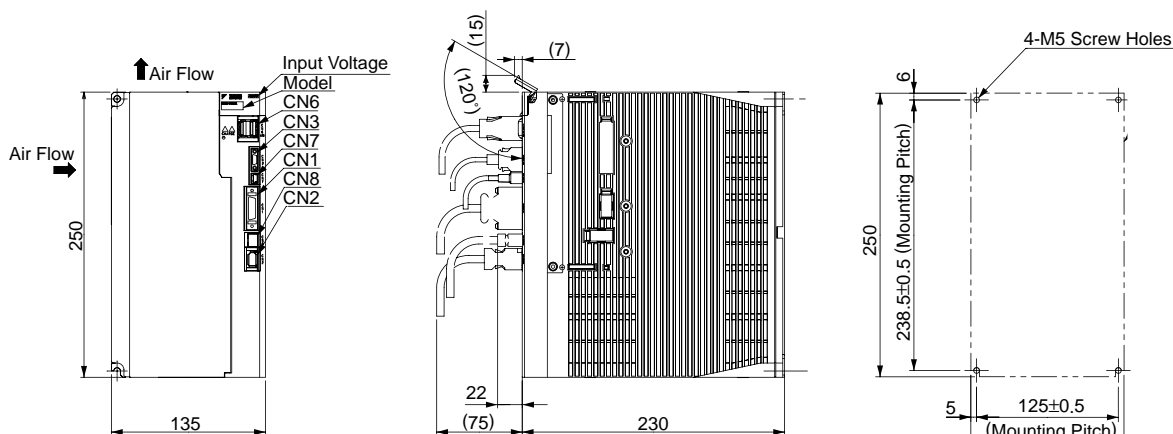
(12) Three-phase 400 VAC, Model: SGDV-8R4D1□A, and -120D1□A



Mounting Hole Diagram

Approx. Mass: 3.7 kg

(13) Three-phase 400 VAC, Model: SGDV-170D1□A

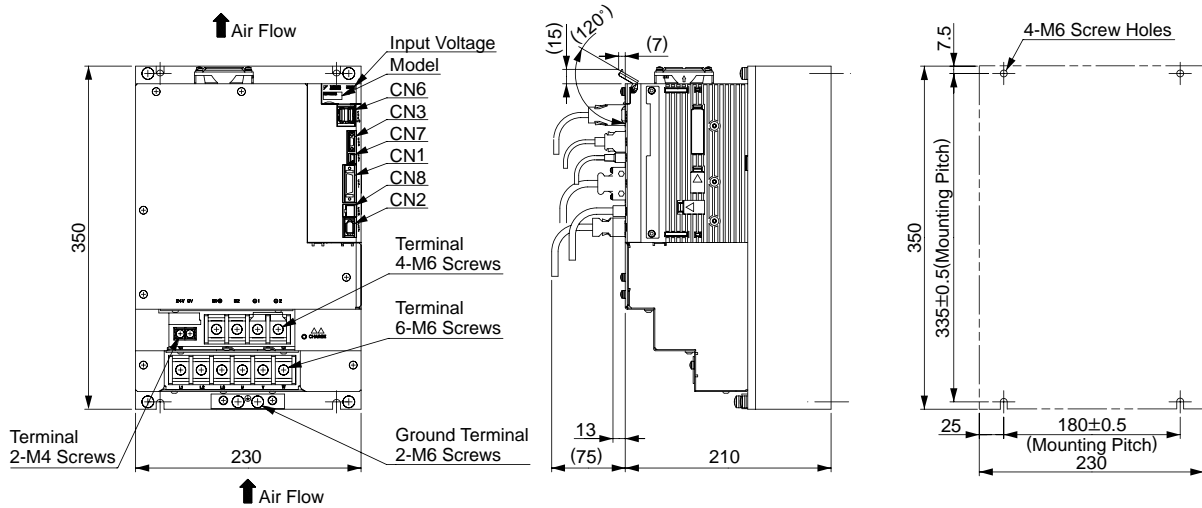


Mounting Hole Diagram

Approx. Mass: 5.6 kg

## External Dimensions Units: mm

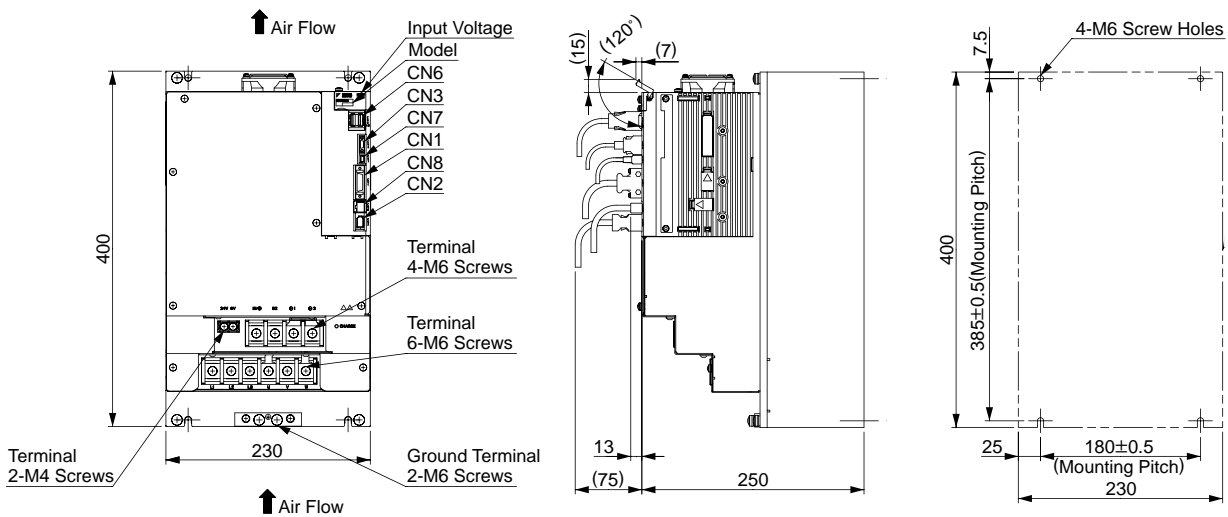
(14) Three-phase 400 VAC, Model: SGDV-210D1□A and -260D1□A



Mounting Hole Diagram

Approx. Mass: 11.3 kg

(15) Three-phase 400 VAC, Model: SGDV-280D1□A and -370D1□A



Mounting Hole Diagram

Approx. Mass: 16.2 kg

### Connectors for Base-mounted SERVOPACKs

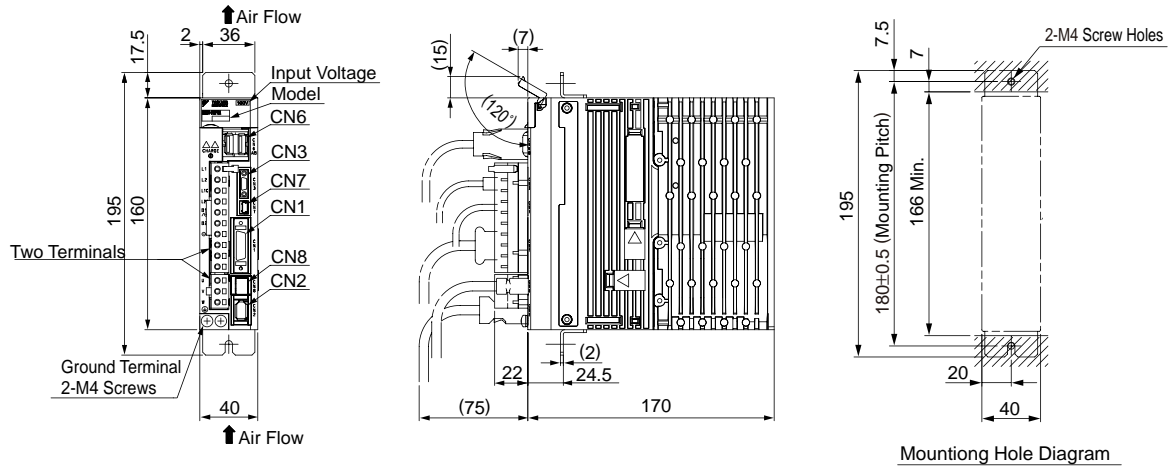
Port	Model	Pin	Manufacturer
CN1	10226-52A2PL	26	Sumitomo 3M Ltd.
CN2	53984-0671	6	Molex Japan Co., Ltd.
CN3	HDR-EC14LFDTN-SLE-PLUS	14	Honda Tsushin Kogyo Co., Ltd.
CN6	1903815-1	8	Tyco Electronics AMP K.K.
CN7	MNC23-5K5H00	5	ADVANCED-CONNECTEK INC.
CN8	1981080-1	8	Tyco Electronics AMP K.K.

Note: The connectors above or their equivalents are used for SERVOPACKs.

**External Dimensions** Units: mm

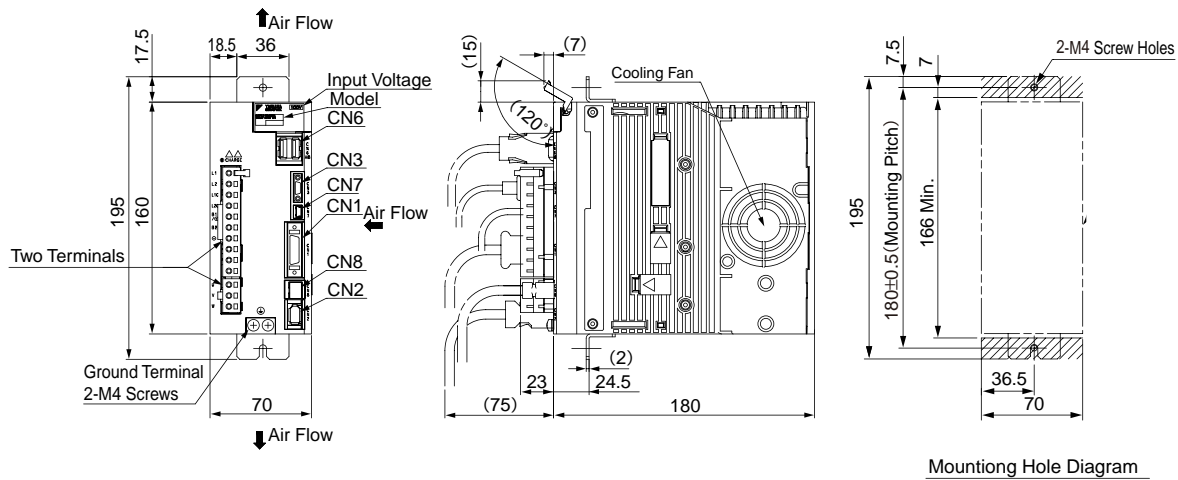
● Rack-mounted SERVOPACKs (6 kW or more models: duct-ventilated)

(1) Single-phase 100 VAC, Model: SGDV-R70F1□A001, -R90F1□A001, and -2R1F1□A001



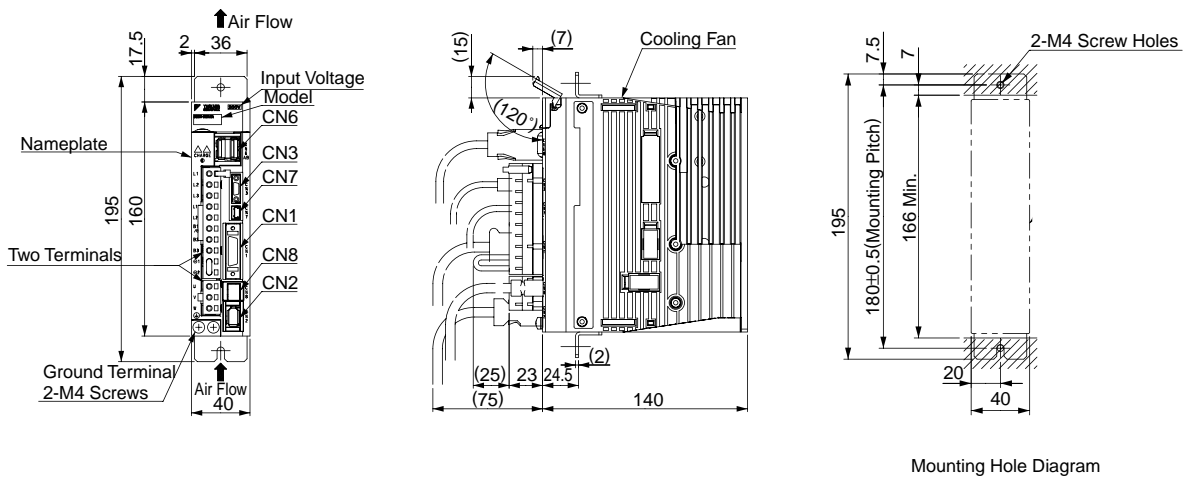
Approx. Mass: 1.1 kg

(2) Single-phase 100 VAC, Model: SGDV-2R8F1□A001



Approx. Mass: 1.5 kg

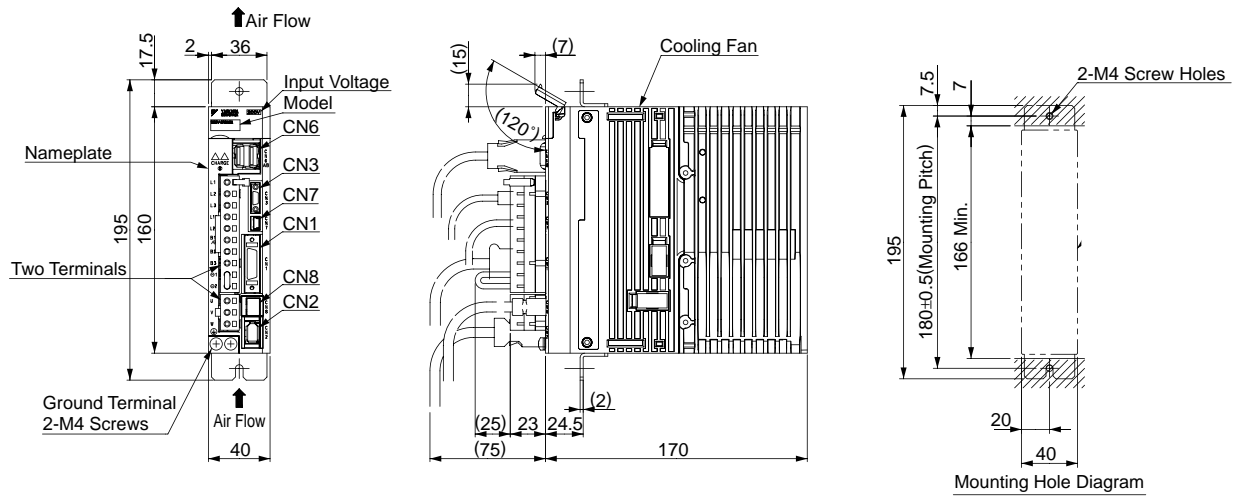
(3) Three-phase 200 VAC, Model: SGDV-R70A1□A001, -R90A1□A001, and -1R6A1□A001



Approx. Mass: 0.9 kg

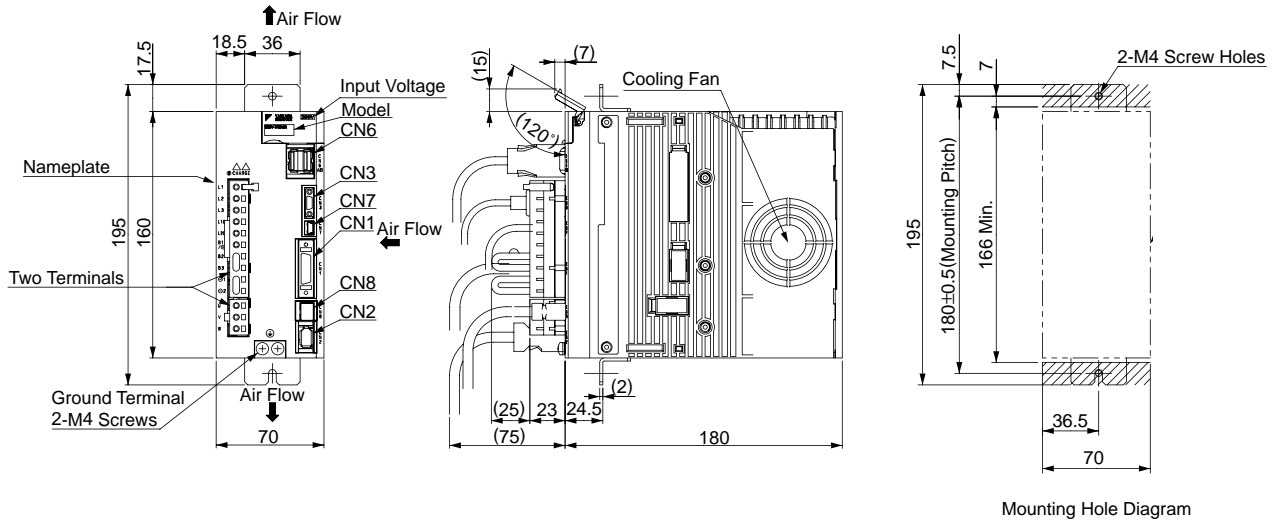
# External Dimensions Units: mm

(4) Three-phase 200 VAC, Model: SGDV-2R8A1□A001



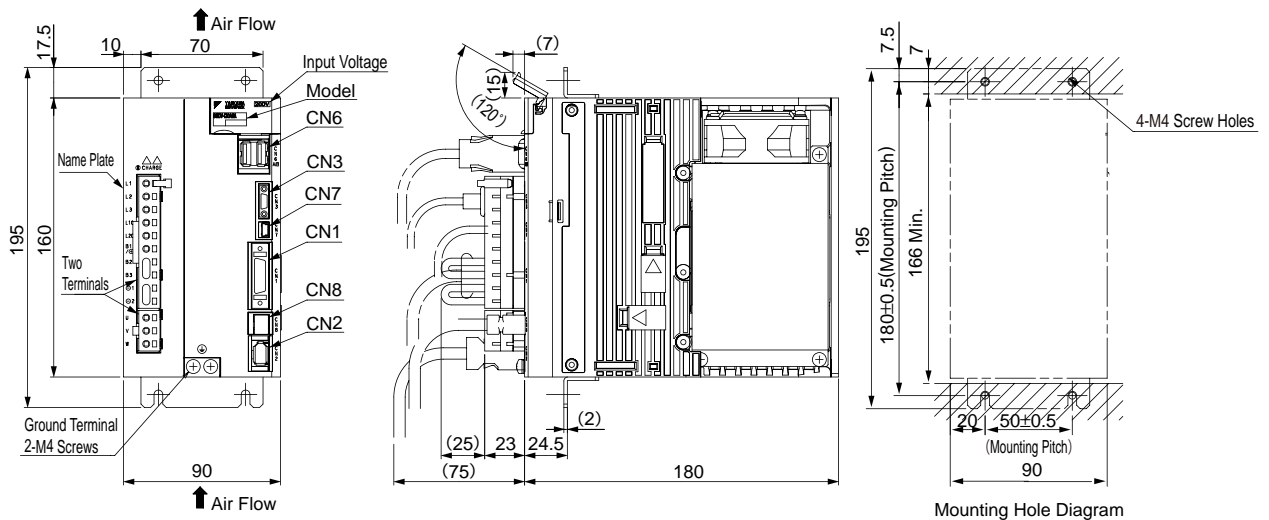
Approx. Mass: 1.0 kg

(5) Three-phase 200 VAC, model: SGDV-3R8A1□A001, -5R5A1□A001, and -7R6A1□A001



Approx. Mass: 1.5 kg

(6) Three-phase 200 VAC, Model: SGDV-120A1□A001

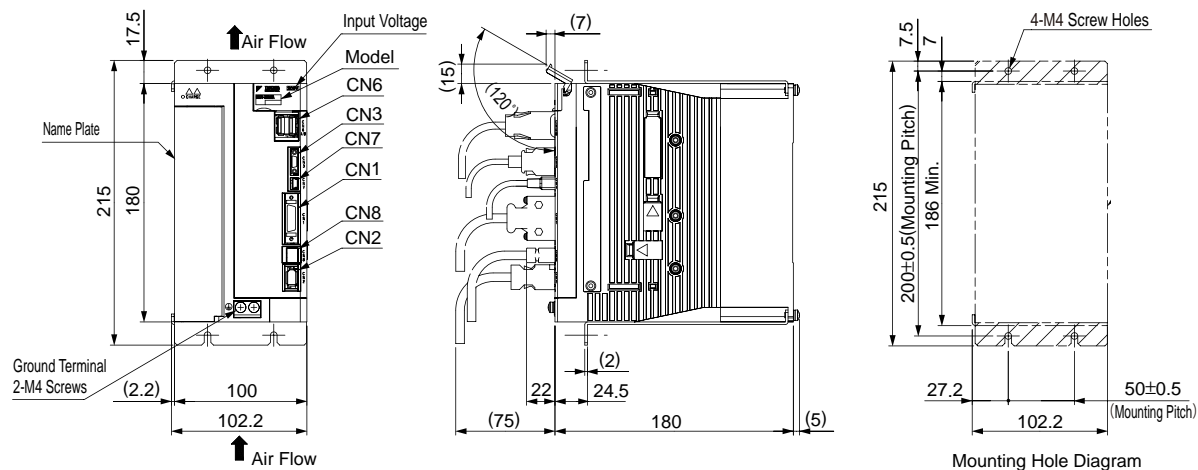


Approx. Mass: 2.5 kg



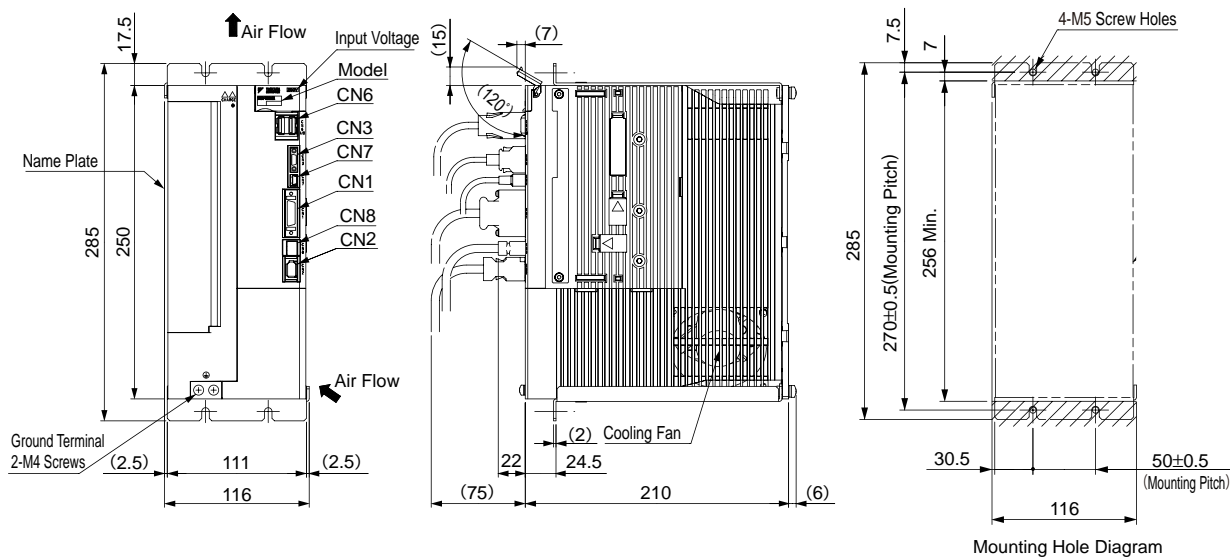
## External Dimensions Units: mm

- (7) Single-phase 200 VAC, Model: SGDV-120A1□A008000 (1.5 kW, single-phase input type)  
 Three-phase 200 VAC, Model: SGDV-180A1□A001 and -200A1□A001



Approx. Mass: 3.1 kg

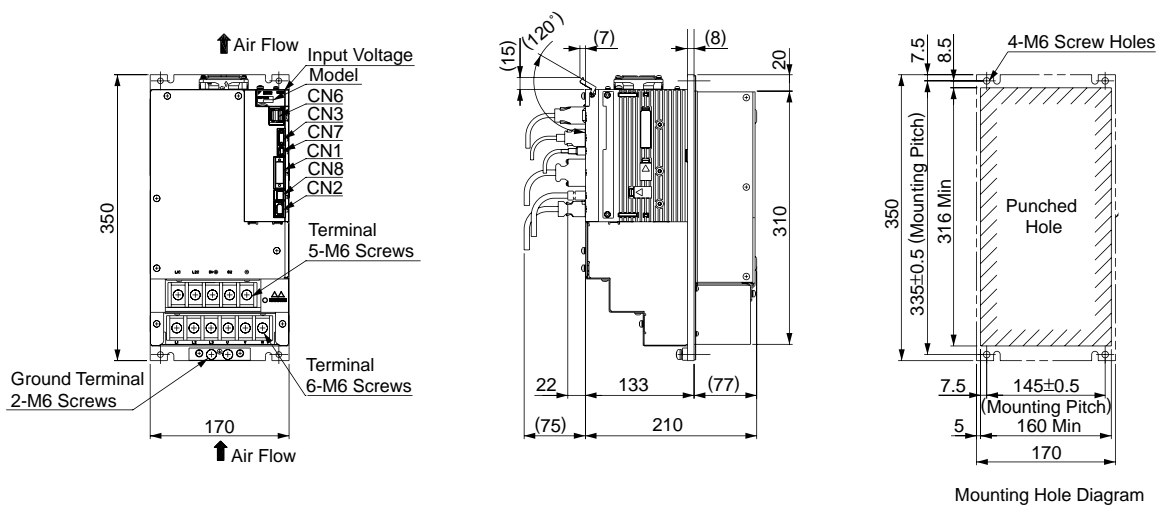
- (8) Three-phase 200 VAC, Model: SGDV-330A1□A001



Approx. Mass: 5.0 kg

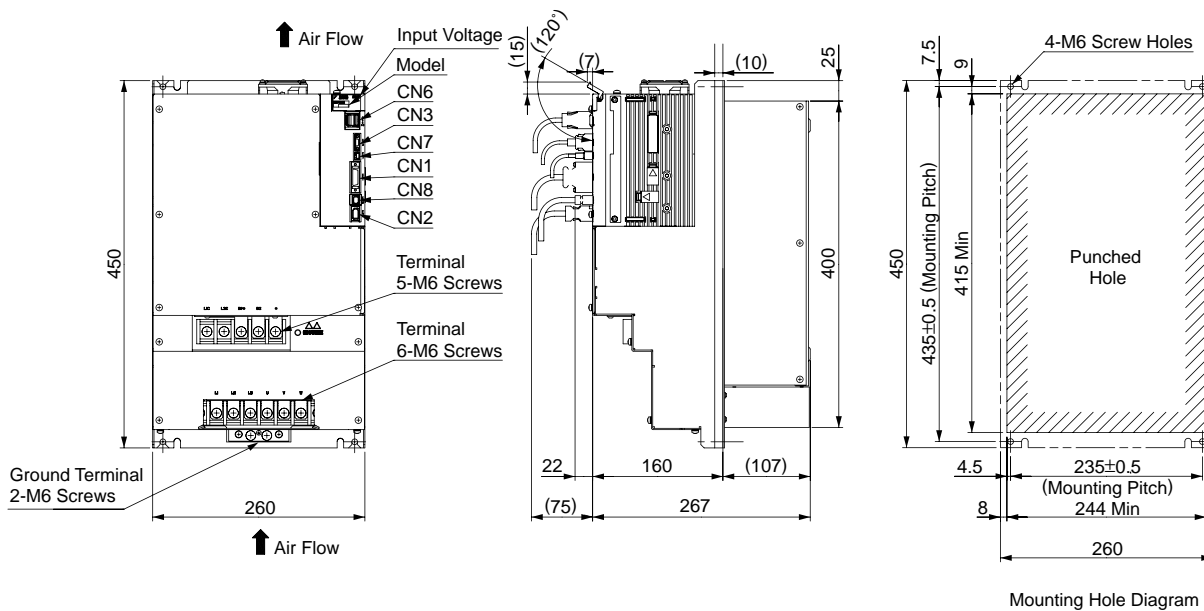
## External Dimensions Units: mm

(9) Three-phase 200 VAC, Model: SGDV-470A1□A001 and -550A1□A001 (Duct-ventilated type)



Approx. Mass: 8.5 kg

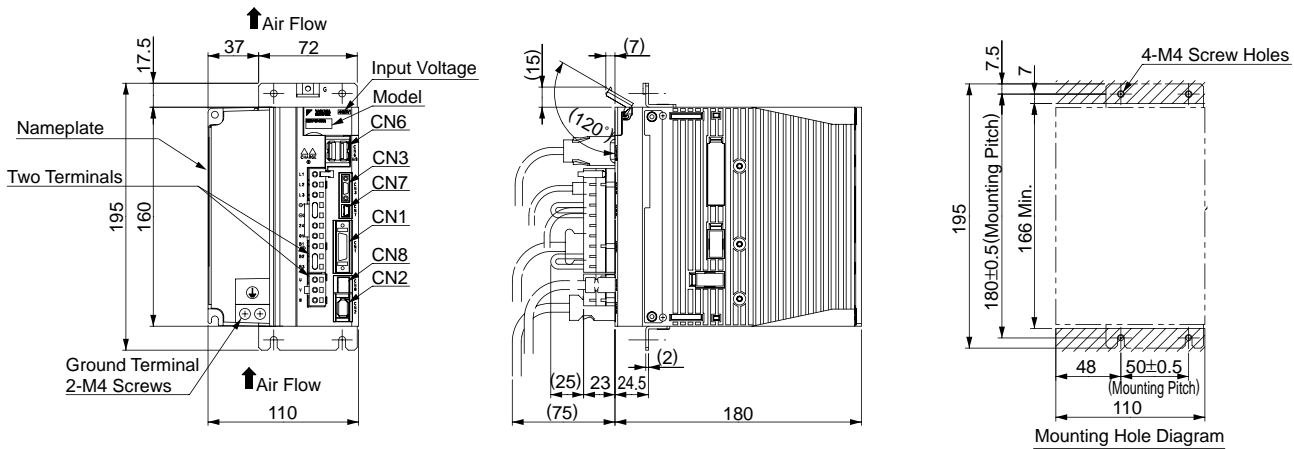
(10) Three-phase 200 VAC, Model: SGDV-580A1□A001 and -780A1□A001 (Duct-ventilated type)



Approx. Mass: 16.0 kg

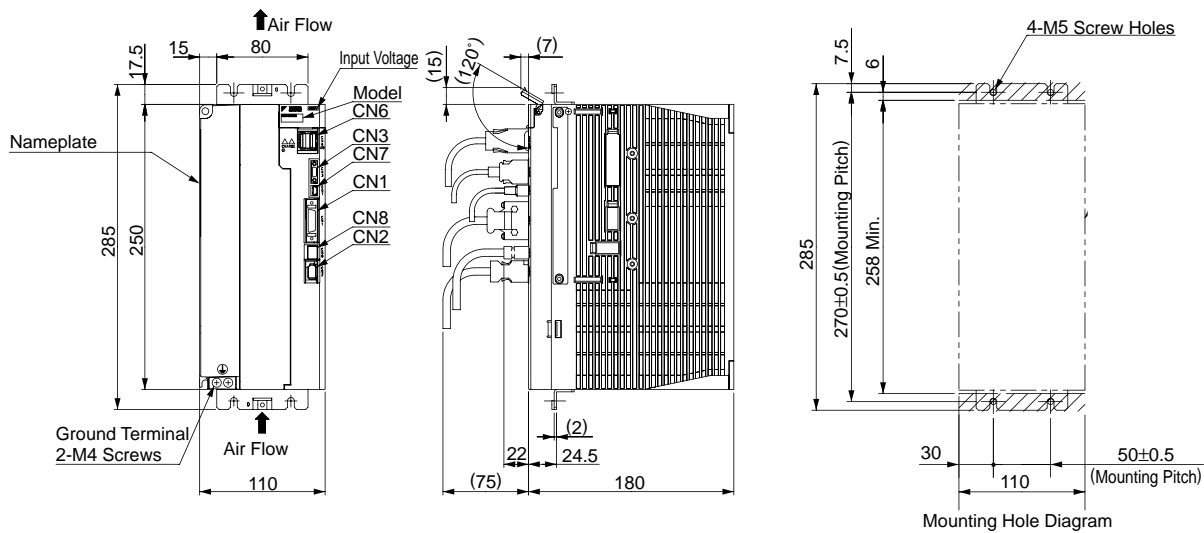
**External Dimensions** Units: mm

(11) Three-phase 400 VAC, Model: SGDV-1R9D1□A001, -3R5D1□A001, and -5R4D1□A001



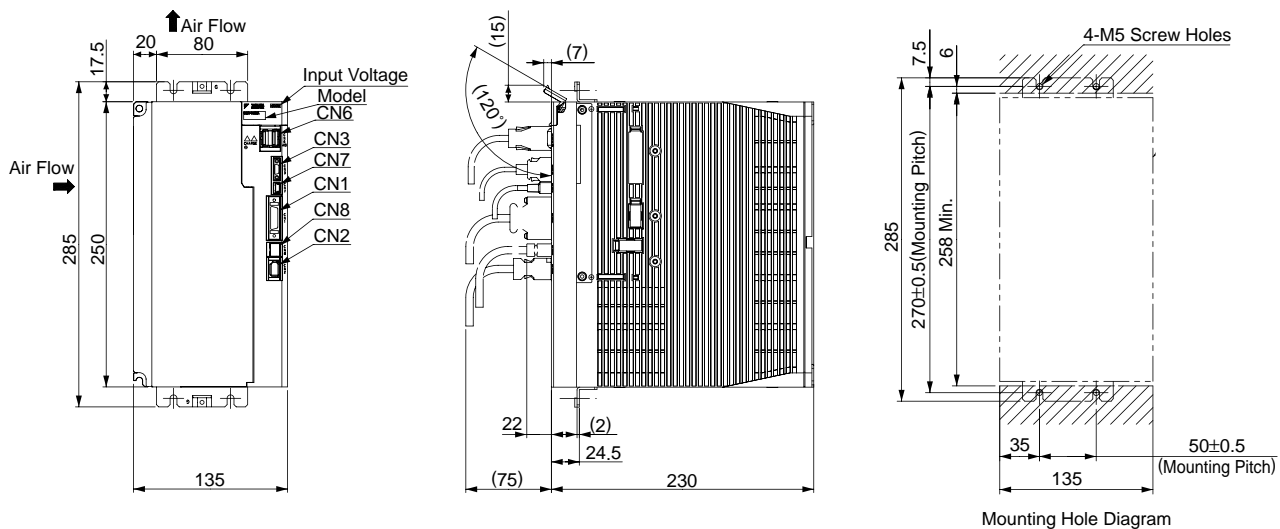
Approx. Mass: 2.7 kg

(12) Three-phase 400 VAC, Model: SGDV-8R4D1□A001 and -120D1□A001



Approx. Mass: 3.8 kg

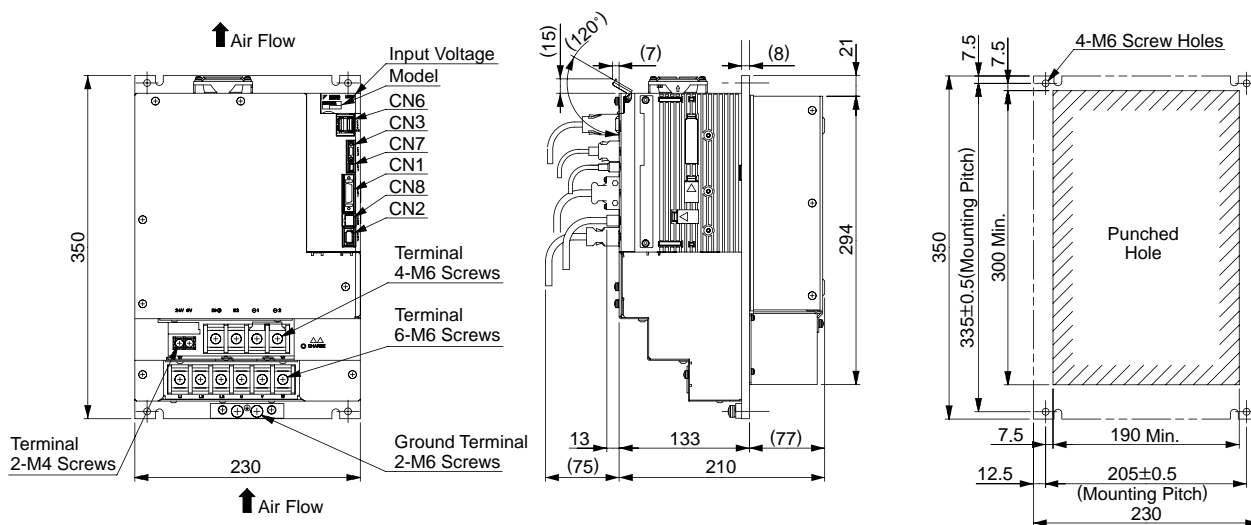
(13) Three-phase 400 VAC, Model: SGDV-170D1□A001



Approx. Mass: 5.7 kg

## External Dimensions Units: mm

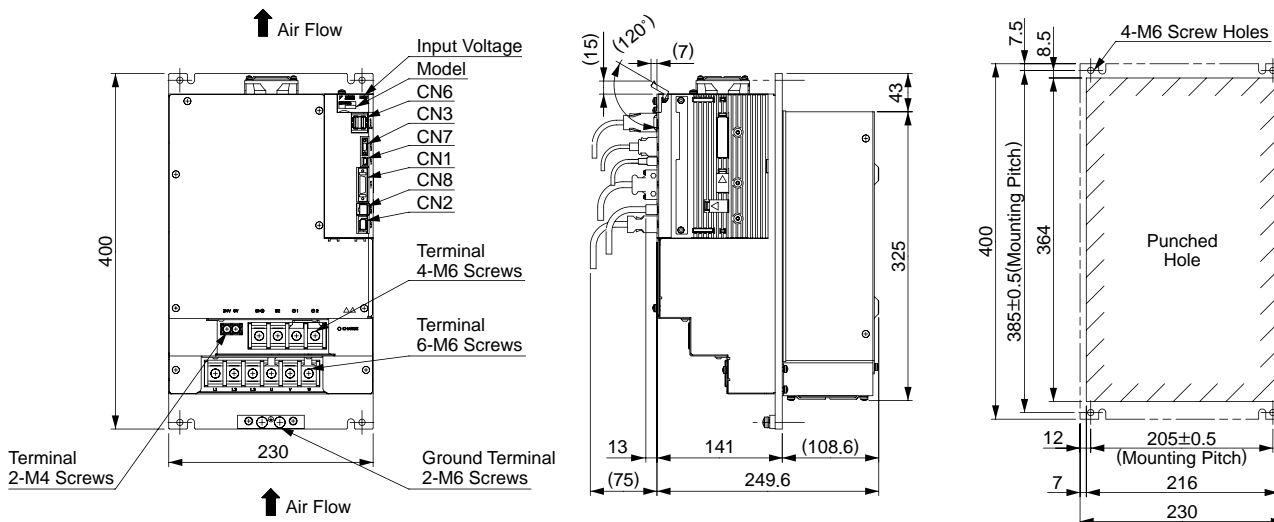
(14) Three-phase 400 VAC, Model: SGDV-210D1□A001 and -260D1□A001 (Duct-ventilated type)



Mounting Hole Diagram

Approx. Mass: 8.1 kg

(15) Three-phase 400 VAC, Model: SGDV-280D1□A001 and -370D1□A001 (Duct-ventilated type)



Mounting Hole Diagram

Approx. Mass: 13.6 kg

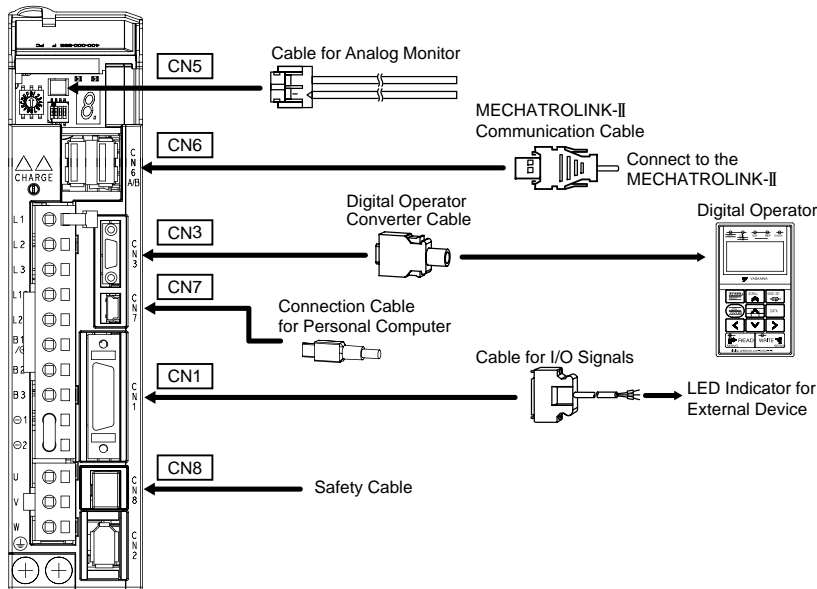
### Connectors for Rack-mounted SERVOPACKs



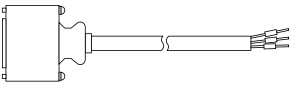

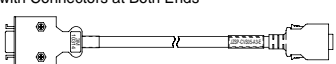

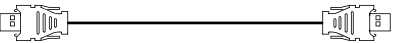
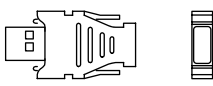

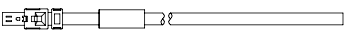
Port	Model	Pin	Manufacturer
CN1	10226-52A2PL	26	Sumitomo 3M Ltd.
CN2	53984-0671	6	Molex Japan Co., Ltd.
CN3	HDR-EC14LFDTN-SLE-PLUS	14	Honda Tsushin Kogyo Co., Ltd.
CN6	1903815-1	8	Tyco Electronics AMP K.K.
CN7	MNC23-5K5H00	5	ADVANCED-CONNECTEK INC.
CN8	1981080-1	8	Tyco Electronics AMP K.K.

Note: The connectors above or their equivalents are used for SERVOPACKs.

## Selecting Cables

- Cables for **CN1** **CN3** **CN5** **CN6** **CN7** **CN8** (MECHATROLINK-II Communications Reference Type SERVOPACKs)



Name	Length	Order No.	Specifications	Details		
<b>CN1</b> Cables for I/O Signals	Connector Kit		JZSP-CSI9-2-E	Soldered 	(1)	
	Connector Terminal Converter Unit	0.5 m	SBK-U-VBA-A5	Terminal Block and 0.5 m Connection Cable 	(2)	
		1 m	SBK-U-VBA-01			
		3 m	SBK-U-VBA-03			
	Cable with Loose wire at One End	1 m	JZSP-CSI02-1-E		(3)	
		2 m	JZSP-CSI02-2-E			
3 m		JZSP-CSI02-3-E				
<b>CN3</b>	Digital Operator		JZSP-OP05A-1-E	With Connection Cable (1 m) 	(4)	
	Digital Operator Converter Cable <sup>1</sup>	0.3 m	JZSP-CVS05-A3-E	Cable with Connectors at Both Ends 	(5)	
<b>CN7</b> Connection Cables for Personal Computer	2.5 m	JZSP-CVS06-02-E	Cable with Connectors at Both Ends 	(9)		
<b>CN6A</b> <b>CN6B</b> MECHATROLINK-II Communication Cable	Cables with Connectors at Both Ends		0.5 m	JEPMC-W6002-A5-E		(7)
			1 m	JEPMC-W6002-01-E		
			—	JEPMC-W6002-□□-E		
Terminator			JEPMC-W6022-E		(8)	
<b>CN5</b> Cables for Analog Monitor	1 m	JZSP-CA01-E	SERVOPACK End 	(6)		
<b>CN8</b> Cables for Safety Functions	Cables with Connector <sup>2</sup>	3 m	JZSP-CVH03-03-E		(10)	
	Connector kit <sup>3</sup>		Contact Tyco Electronics AMP K.K. Product name : Industrial Mini I/O D-shape Type1 Plug Connector Kit Model : 2013595-1			

<sup>1</sup> : A converter cable is required to use  $\Sigma$ -III series digital operators (model: JZSP-OP05A) for  $\Sigma$ -V series SERVOPACKs.

<sup>2</sup> : When using the safety function, connect this cable to the safety devices.

Even when not using the safety function, use SERVOPACKs with the Safe Jumper Connector (model: JZSP-CVH05-E) connected.

<sup>3</sup> : Use the connector kit when you make cables yourself.

## Selecting Cables Units: mm

### (1) Connector Kit for CN1

Use the following connector and cable to assemble the cable. The CN1 connector kit includes one case and one connector.

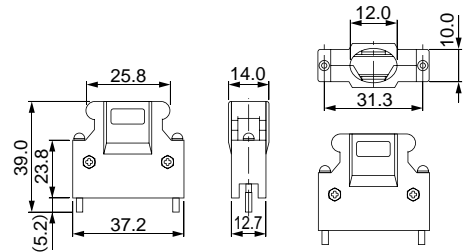
Connector Kit		Case		Connector	
Model		Model	Qty	Model	Qty
JZSP-CSI9-2-E		10326-52A0-008*	1 set	10126-3000PE* (Soldered)	1

\* : Manufactured by Sumitomo 3M Ltd.

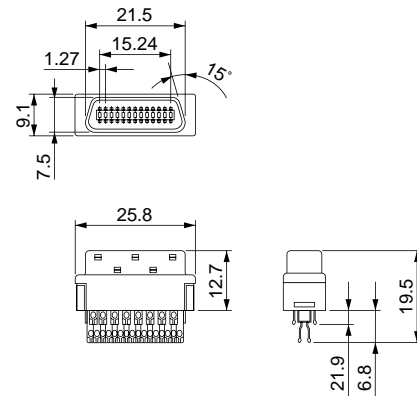
#### · Cable Size

Item	Specifications
Cable	Use twisted-pair or twisted-pair shielded wire.
Applicable Wires	AWG24, 26, 28, 30
Cable Finished Diameter	16 dia. max.

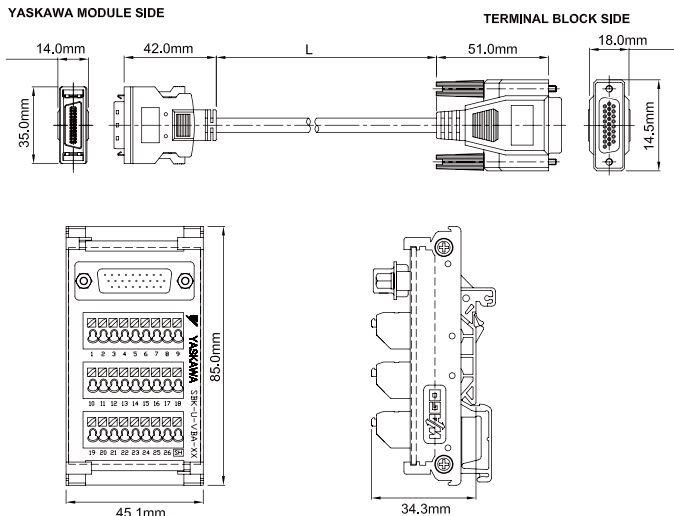
#### · Dimensional Drawings of Case



#### · Dimensional Drawings of Connector

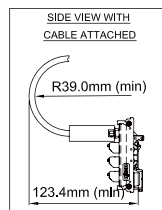


### (2) Connector Terminal Converter Unit for CN1 (SBK-U-VBA-xx)



CABLE SPECIFICATION (mm)	
OUTER DIAMETER	6.5 +/- 0.2mm
BENDING RADIUS	6 x O.D. MINIMUM 15 x O.D. FOR LONG TERM RELIABILITY

ITEM#	L = LENGTH (mm)
SBK-U-VBA-A5	500 +/- 38,1
SBK-U-VBA-01	1000 +/- 38,1
SBK-U-VBA-03	3000 +/- 38,1



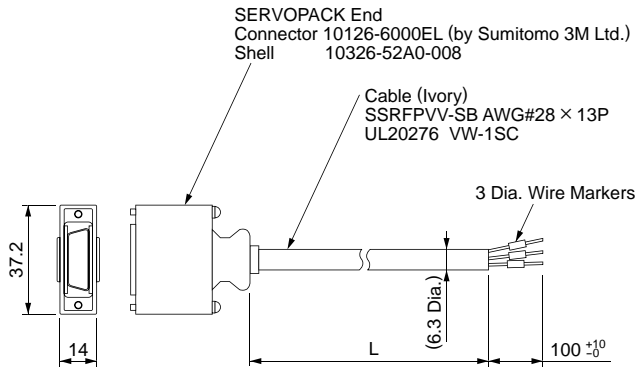
#### SBK-U-VBA-xx Function Chart for SGD V Servo Amplifier

Pin No.	SGDV Mechatrolink-II type / SGD V Option type	
	Signal	Function
1	/BK+ (/SO1+)	Brake interlock output (+) (General purpose output 1 (+))
2	/BK- (/SO1-)	Brake interlock output (-) (General purpose output 1 (-))
3	ALM+	Servo alarm output (+)
4	ALM-	Servo alarm output (-)
5	-	-
6	+24VIN	Control power supply for sequence signal input
7	P-OT (/SI1)	Forward run prohibited input (General purpose input 1)
8	N-OT (/SI2)	Reverse run prohibited input (General purpose input 2)
9	/DEC (/SI3)	Zero-point return deceleration switch input (General purpose input 3)
10	/EXT1 (/SI4)	External latch signal 1 input (General purpose input 4)
11	/EXT2 (/SI5)	External latch signal 2 input (General purpose input 5)
12	/EXT3 (/SI6)	External latch signal 3 input (General purpose input 6)
13	/SI0	General purpose input 0
14	BAT (+)	Battery (+) input
15	BAT (-)	Battery (-) input
16	SG	Signal ground
17	PAO	Phase-A pulse output (+)
18	/PAO	Phase-A pulse output (-)
19	PBO	Phase-B pulse output (+)
20	/PBO	Phase-B pulse output (-)
21	PCO	Phase-C pulse output (+)
22	/PCO	Phase-C pulse output (-)
23	/SO2+	General purpose output 2 (+)
24	/SO2-	General purpose output 2 (-)
25	/SO3+	General purpose output 3 (+)
26	/SO3-	General purpose output 3 (-)

Note: General purpose input and output signals are shown with their default signals assigned - signal assignment may have been changed by parameter

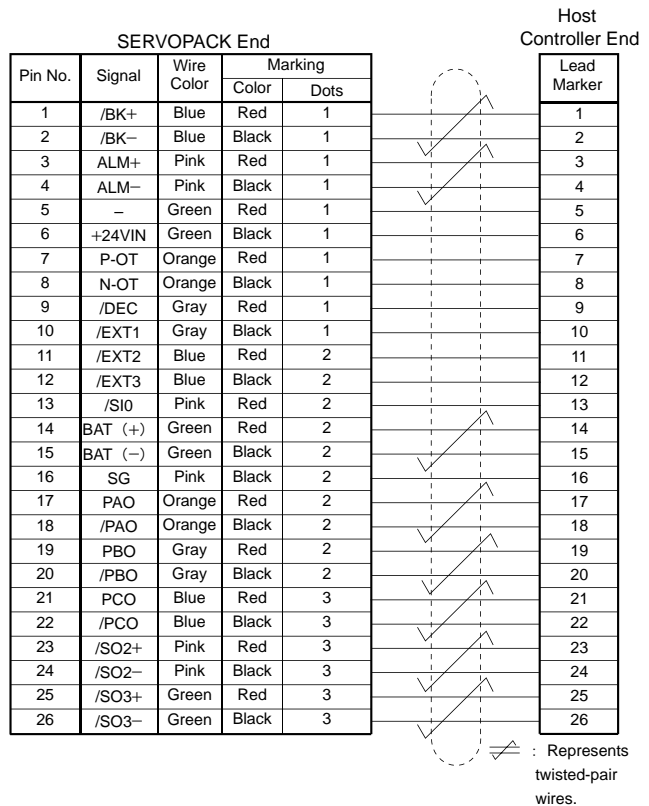
**Selecting Cables** Units: mm

(3) Cable with Loose Wires at One End for CN1  
 Dimensional Drawings of Cable

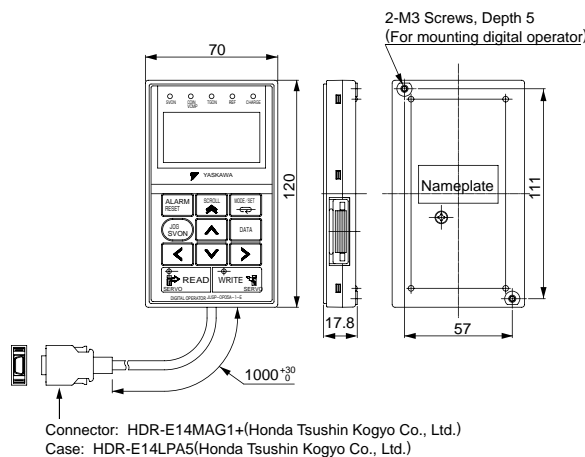


Model	Cable Length
JZSP-CSI02-1-E	1 m
JZSP-CSI02-2-E	2 m
JZSP-CSI02-3-E	3 m

● Cable with Loose Wires at One End for CN1  
 Connection Diagram of JZSP-CSI02-□-E Cable



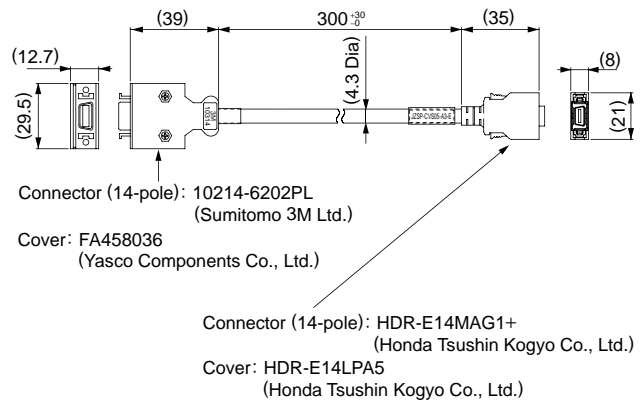
(4) Digital Operator (Model: JUSP-OP05A-1-E)



(5) Digital Operator Converter Cable for CN3  
 (Model: JZSP-CVS05-A3-E)

A converter cable is required to use  $\Sigma$ -III series digital operators (model: JUSP-OP05A) for  $\Sigma$ -V series SERVOPACKs.

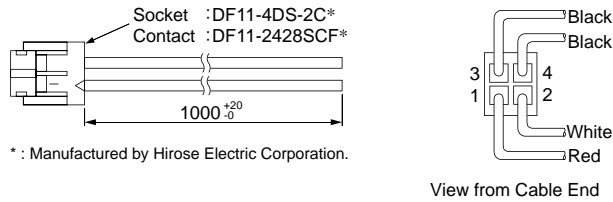
· Dimensional Drawings



## Selecting Cables Units: mm

### (6) Cable for Analog Monitor for CN5 (Model: JZSP-CA01-E)

#### · Dimensional Drawings



\* : Manufactured by Hirose Electric Corporation.

#### · Specifications

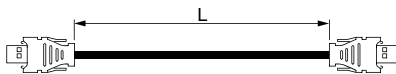
Pin No.	Cable Color	Signal	Standard Settings
1	Red	Analog Monitor 2	Motor speed : 1V/1000 min <sup>-1</sup>
2	White	Analog Monitor 1	Torque reference : 1V/100% rated torque
3, 4	Black (2 cables)	GND(0V)	-

Note : The specifications above are factory settings. Monitor specifications can be changed by changing parameters Pn006 and Pn007.

### (7) MECHATROLINK-II Communications Cable for CN6 (Model: JEPMC-W6002-□□-E)

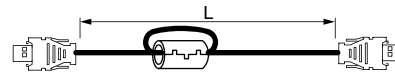
#### · Dimensional Drawings

##### ① Cable with Connectors at Both Ends



Model	Cable Length(L)
JEPMC-W6002-A5-E	0.5 m
JEPMC-W6002-01-E	1.0 m
JEPMC-W6002-03-E	3.0 m
JEPMC-W6002-05-E	5.0 m
JEPMC-W6002-10-E	10.0 m
JEPMC-W6002-20-E	20.0 m
JEPMC-W6002-30-E	30.0 m
JEPMC-W6002-40-E	40.0 m
JEPMC-W6002-50-E	50.0 m

##### ② Cable with Ferrite Core

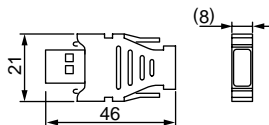


Model	Cable Length (L)
JEPMC-W6003-A5-E	0.5 m
JEPMC-W6003-01-E	1.0 m
JEPMC-W6003-03-E	3.0 m
JEPMC-W6003-05-E	5.0 m
JEPMC-W6003-10-E	10.0 m
JEPMC-W6003-20-E	20.0 m
JEPMC-W6003-30-E	30.0 m
JEPMC-W6003-40-E	40.0 m
JEPMC-W6003-50-E	50.0 m

**IMPORTANT** Use a MECHATROLINK-II communications cable specified by Yaskawa. When using other cables, noise resistance may be reduced, and operation cannot be guaranteed.

### (8) MECHATROLINK-II Terminator for CN6 (Model : JEPMC-W6022-E)

#### · Dimensional Drawings

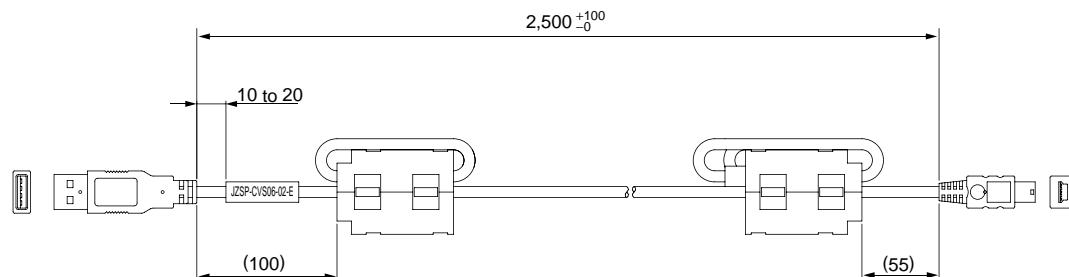




## Selecting Cables Units: mm

### (9) Connection Cable for Personal Computer for CN7 (Model: JZSP-CVS06-02-E)

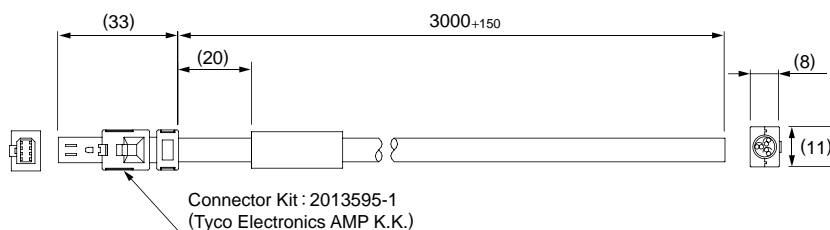
#### · Dimensional Drawings



**IMPORTANT** Use a cable specified by Yaskawa.  
When using other cables, operation cannot be guaranteed.

### (10) Cable with Connector for CN8 (Model: JZSP-CVH03-03-E)

#### · Dimensional Drawings



#### · Specifications

Pin No.	Signal	Lead Color	Marking Color
1	Not used	-	-
2	Not used	-	-
3	/HWBB1-	White	Black
4	/HWBB1+	White	Red
5	/HWBB2-	Gray	Black
6	/HWBB2+	Gray	Red
7	EDM1-	Orange	Black
8	EDM1+	Orange	Red

# SERVOPACK with Additional Options



## Model Designations

■ Limited Stock Items

SGDV R70 A 0 1 A 000 00 0 001

Σ-V Series SGDV SERVOPACK

Current

Voltage	Code	Applicable Servomotor Max. Capacity kW
100 V	R70	0.05
	R90	0.1
	2R1	0.2
	2R8	0.4
200 V	R70 <sup>*3</sup>	0.05
	R90 <sup>*3</sup>	0.1
	1R6 <sup>*3</sup>	0.2
	2R8 <sup>*3</sup>	0.4
	3R8	0.5
	5R5 <sup>*3</sup>	0.75
	7R6	1.0
	120 <sup>*4</sup>	1.5
	180	2.0
	200	3.0
	330	5.0
	470	6.0
	550	7.5
	590	11
780	15	
400V	1R9	0.5
	3R5	1.0
	5R4	1.5
	8R4	2.0
	120	3.0
	170	5.0
	210	6.0
	260	7.5
	280	11
	370	15

\*3: These amplifiers can be powered with single or three-phase.

\*4: SGDV-120A□□1A008000□□□□, a special version of the 1.5kW amplifier can be used for single-phase operation.

Option Function

Code	Specifications
001 <sup>*1</sup>	Fully-closed loop
010 <sup>*1</sup>	Functional Safety
100 <sup>*2</sup>	Indexer
101 <sup>*2</sup>	Indexer and Fully-closed loop
200 <sup>*2</sup>	EtherCAT (CoE) communications reference
201 <sup>*2</sup>	EtherCAT (CoE) communications reference and Fully-closed loop control
210 <sup>*2</sup>	EtherCAT (CoE) communications reference and Functional Safety
300 <sup>*2</sup>	MP2600iec Single Axis Controller

\*1 This option only available with interface types 0 and 1.

\*2 This option only available with interface type E

Options (hardware, software, parameter)

Code	Specifications
000000	standard

Design Revision Order: A, B...

Motor Type

Code	Specifications
1	Rotary Servomotors
5 <sup>*5</sup>	Linear Servomotors

\*5 Fully Closed Loop option not available with linear style amps.

Interface Options

Code	Specifications
0	Analog voltage/pulse train reference type
1	MECHATROLINK-II communication reference type
E	Other control architecture type (i.e. MP2600iec)

Voltage

Code	Specifications
F	100 VAC
A	200 VAC
D	400 VAC

## Additional Options

### MP2600iec Single Axis Controller Option

- IEC61131-3 standardized programming for the Sigma-5 servo system
- Scaleable with the MP2000iec multi-axis controller platform via the common programming environment, MotionWorks IEC
- Built in Ethernet/IP and Modbus TCP/IP (master and slave) allow for connection to most PLC's and expansion I/O
- PLCopen function blocks with MotionWorks IEC simplify programming, while a diagnostic web server reduces field maintenance time
- Optional OPC server allows for data exchange with Windows based HMI and SCADA systems

### Full Closed Loop Option

- Allows the user to close the position loop around a secondary feedback device placed near the load
- Helps to eliminate the effects of mechanical compliance and thermal variances of mechanical components allowing for more precise control and improved machine performance

### EtherCAT (CoE) Option

- Implements the EtherCAT open EtherNet based real-time communication protocol
- Compatibility with any EtherCAT master that adheres to the CAN over EtherCAT (CoE) device profile specification (CiA402)
- Variety of different system architectures:
  - cascade, line star, ring
- Seven different control modes available

### Indexer Option

- Provides point-to-point positioning without complex programming
- Up to 256 programmable positioning points
- Simple wizard-based setup with SigmaWin+ software

### Functional Safety Option

- TUV Sud certified compliance with the latest standards
- Safety standards: Safe Torque Off (STO), Safe Stop 1 (SS1), Safe Stop 2 (SS2), Safely Limited Stop (SLS)

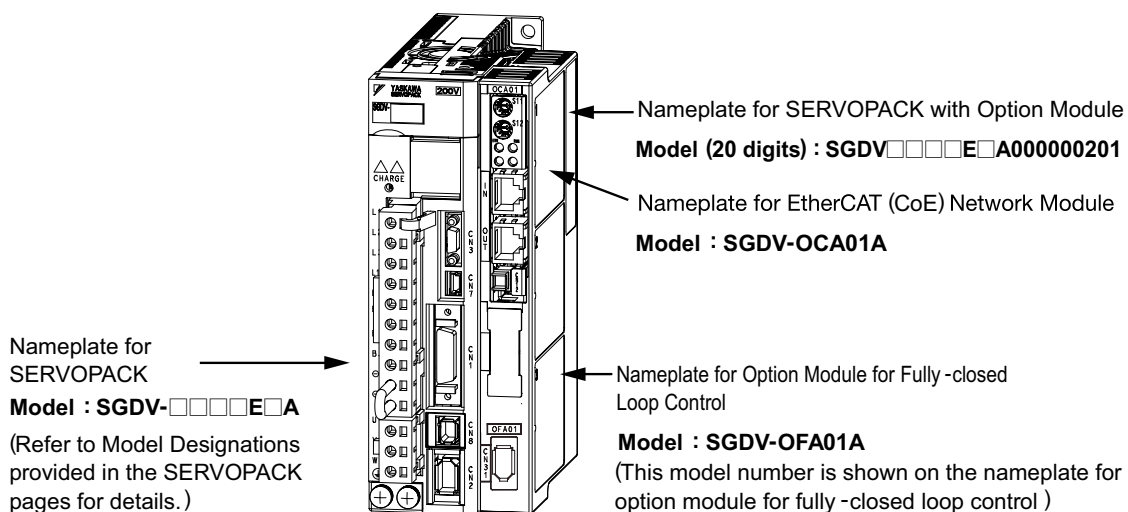
## Product Labeling

The three digit option function code allows for expandability of the servo amplifier's functionality. Each digit of the code defines a different type of option

- First Digit (Control Architecture): compatible with various communication interfaces or single-axis control architectures.
- Second Digit (Safety): compatible with EN60204-1 stop category 1 and 2 (stop category 0 is standard)
- Third Digit (Feedback): compatible with fully-closed loop control

NOTE: Amplifiers with Interface Options 0 and 1 can accommodate option modules that utilize the 2nd and 3rd digits of the Option Module Code (the first digit will always be 0 for these amplifiers). Amplifiers with Interface Option E can accommodate option modules that utilize all 3 digits of the Option Module Code.

Combination Example:



## Ratings

### Single-phase 100 V

SERVOPACK Model	SGDV□□□□	R70F	R90F	2R1F	2R8F
Applicable Servomotor Max. Capacity	kW	0.05	0.1	0.2	0.4
Continuous Output Current	$A_{rms}$	0.66	0.91	2.1	2.8
Max. Output Current	$A_{rms}$	2.1	2.9	6.5	9.3
Main Circuit (Single Phase)	100 to 115 VAC +10% to -15% 50/60 Hz				
Control Circuit (Single Phase)	100 to 115 VAC +10% to -15% 50/60 Hz				

### Single-phase 200 V

SERVOPACK Model	SGDV□□□□	R70A	R90A	1R6A	2R8A	5R5A	120
Applicable Servomotor Max. Capacity	kW	0.05	0.1	0.2	0.4	0.75	1.5
Continuous Output Current	$A_{rms}$	0.66	0.91	1.6	2.8	5.5	11.6
Max. Output Current	$A_{rms}$	2.1	2.9	6.5	9.3	16.9	28
Main Circuit (Single Phase)	220 to 230 VAC +10% to -15% 50/60 Hz						
Control Circuit (Single Phase)	220 to 230 VAC +10% to -15% 50/60 Hz						

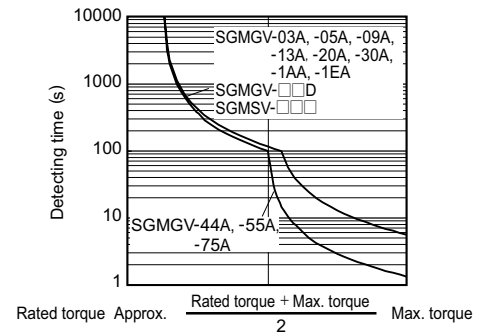
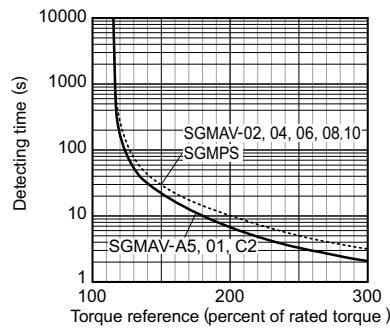
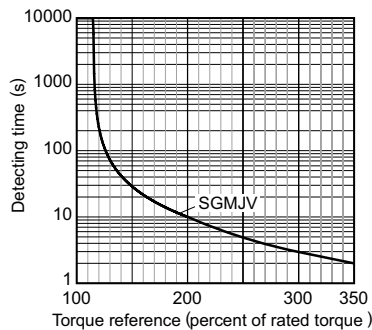
### Three-phase 200 V

SERVOPACK Model	SGDV□□□□	R70A	R90A	1R6A	2R8A	3R8A	5R5A	7R6A	120A	180A	200A	330A	470A	550A	590A	780A
Applicable Servomotor Max. Capacity	kW	0.05	0.1	0.2	0.4	0.5	0.75	1.0	1.5	2.0	3.0	5.0	6	7.5	11	15
Continuous Output Current	$A_{rms}$	0.66	0.91	1.6	2.8	3.8	5.5	7.6	11.6	18.5	19.6	32.9	46.9	54.7	58.6	78
Max. Output Current	$A_{rms}$	2.1	2.9	6.5	9.3	11	16.9	17	28	42	56	84	110	130	140	170
Main Circuit	Three-phase 200 to 230 VAC +10% to -15% 50/60 Hz															
Control Circuit	Single-phase 200 to 230 VAC +10% to -15% 50/60 Hz															

### Three-phase 400 V

SERVOPACK Model	SGDV□□□□	1R9D	3R5D	5R4D	8R4D	120D	170D	210D	260D	280D	370D
Applicable Servomotor Max. Capacity	kW	0.5	1.0	1.5	2.0	3.0	5.0	6	7.5	11	15
Continuous Output Current	$A_{rms}$	1.9	3.5	5.4	8.4	11.9	16.5	20.8	25.4	28.1	37.2
Max. Output Current	$A_{rms}$	5.5	8.5	14	20	28	42	55	65	70	85
Main Circuit	Three-phase 380 to 480 VAC +10% to -15% 50/60 Hz										
Control Circuit	24 VDC ±15%										

## ● SERVOPACK Overload Characteristics



Note: Overload characteristics shown above do not guarantee continuous duty of 100% or more output. Use a servomotor with effective torque within the continuous duty zone of *Torque-Motor Speed Characteristics*.

## Specifications

Items	Specifications
Control Method	IGBT PWM control, sine-wave driven
Feedback	Rotary Servomotors Serial encoder: 13-bit (incremental encoder) : 17-bit (incremental/absolute encoder) : 20-bit (incremental/absolute encoder)
	Linear Servomotors <sup>*1</sup> Serial converter or serial data
Operating Conditions	Surrounding/Storage Temperature Surrounding temperature: 0 to +55°C, storage temperature: -20 to +85°C
	Ambient/Storage Humidity 90%RH or less (no condensation)
	Vibration/Shock Resistance Vibration resistance: 4.9 m/s <sup>2</sup> , Shock resistance: 19.8 m/s <sup>2</sup>
	Protection class/Pollution degree Protection class: IP 1X, pollution degree: 2 Do not use SERVOPACKs in the following locations: ·Locations subject to corrosive or flammable gases ·Locations subject to exposure to water, oil, or chemicals ·Locations subject to dust, including iron dust, and salts
	Others Do not use SERVOPACKs in the following locations: ·Locations subject to static electricity noise, strong electromagnetic/magnetic fields, radioactivity
Elevation	1000 m or less

## Specifications

Items		Specifications		
Compliant Standards		UL508C EN50178, EN55011/A2 group1 classA, EN61000-6-2, EN61800-3, EN61800-5-1, EN954-1, IEC61508-1 to 4		
Configuration		Standard: Base-mounted; Optional: Rack-mounted, Duct-ventilated		
Performance	Speed Control Range		1:5000 (The lowest speed of the speed control range is the speed at which the servomotor will not stop with a rated torque load.)	
	Speed Regulation <sup>*2</sup>	Load Regulation	0% to 100% load: ±0.01% max. (at rated speed)	
		Voltage Regulation	Rated voltage: ±10% : 0% (at rated speed)	
		Temperature Regulation	25±25°C : ±0.1% max. (at rated speed)	
Torque Control Tolerance (Repeatability)		±1%		
I/O Signals	Encoder Output Pulses		Phase A, phase B, phase C: line driver output The number of dividing pulse: Any setting ratio is available.	
	Sequence Input	Input Signals which can be allocated	No. of Channels	7 channels
			Functions	The signal allocation and positive/negative logic can be modified. Forward run prohibited (/P-OT), reverse run prohibited (/N-OT), forward torque limit (/P-CL), reverse torque limit (/N-CL), general-purpose input signal (/SI0 to /SI6) <sup>*3</sup>
	Sequence Output	Output Signals which can be allocated	Fixed Output	
			Servo alarm (ALM)	
			No. of Channels	3 channels
		Functions	The signal allocation and positive/negative logic can be modified. Positioning completion (/COIN), speed coincidence detection (/V-CMP), servomotor rotation detection (/TGON), servo ready (/S-RDY), torque limit detection (/CLT), speed limit detection (/VLT), brake (/BK), warning (/WARN), near (/NEAR)	
Communications	RS-422A Communications	Interface	Digital operator, RS-422A port of personal computers etc.	
		1:N communications	RS-422A port: N= 15 max. available	
		Axis address setting	Set by parameters	
	USB Communications	Interface	Personal computers (application: engineering tool SigmaWin+)	
Communications Standard		Compliant with USB 1.1 standard (12 Mbps)		
Display		CHARGE and POWER (seven-segment display)		
Analog Monitor		Number of points: 2 Output voltage: ±10 VDC (linearity effective range ±8 V) Resolution: 16 bit Accuracy: ±20 mV (Typ) Max. output current: ±10 mA Settling time (±1%): 1.2 ms (Typ)		
Dynamic Brake (DB)		Activated when the power supply for the main circuit or the SERVOPACK is OFF, when overtravel (OT) or a servo alarm occurs, or during a hardwired base block.		
Regenerative Processing		100 VAC model: External regenerative resistor (optional) 200 VAC SGD V-R70A, -R90A, -1R6A, -2R8A: External regenerative resistor (optional) 200 VAC SGD V-470A, -550A, -590A, -780A: External regenerative resistor unit (optional) 200 VAC models other than shown above: Built-in regenerative resistor 400 VAC SGD V-210D, -260D, -280D, -370D: External regenerative resistor unit (optional) 400 VAC models other than shown above: Built-in regenerative resistor		
Overtravell (OT) Prevention		Dynamic brake stop at P-OT or N-OT, deceleration to a stop, or free run to a stop		
Protective Functions		Overcurrent, Overvoltage, low voltage, overload, regeneration error		
Utility Functions		Gain adjustment, alarm history, JOG operation, origin search, etc.		
Safety Functions	Input	/HWBB1, /HWBB2: Baseblock signal for power module		
	Output	EDM1: Status monitor (fixed output) of built-in safety circuit		
Option Modules		Fully-closed option module, EtherCAT (CoE)		

\*1: Under development

\*2: Speed regulation is defined as follows:

$$\text{Speed regulation} = \frac{\text{No-load motor speed} - \text{Total load motor speed}}{\text{Rated motor speed}} \times 100\%$$

The motor speed may change due to voltage variations or temperature variation. The ratio of speed changes to the rated speed represent speed regulation due to voltage and temperature variations.

\*3: For details on the functions of the general-purpose input signals /SI0 to /SI6, refer to the manual of the command (option) module being used.

## Power Supply Capacities and Power Losses

The following table shows SERVOPACK's power supply capacities and power losses at the rated output.

Main Circuit Power Supply	Applicable Servomotor Max. Capacity kW	SERVOPACK Model SGDV	Power Supply Capacity kVA	Output Current A	Main Circuit Power Loss W	Regenerative Resistor Power Loss	Control Circuit Power Loss	Total Power Loss
						W	W	W
Signal-phase 100 V	0.05	R70F	0.2	0.66	5.4	—	17	22.4
	0.1	R90F	0.3	0.91	7.8			24.8
	0.2	2R1F	0.7	2.1	14.4			31.4
	0.4	2R8F	1.4	2.8	25.6			42.6
Single-phase 200 V	0.05	R70A	0.2	0.66	5.2	—	17	22.2
	0.1	R90A	0.3	0.91	7.4			24.4
	0.2	1R6A	0.7	1.6	13.7			30.7
	0.4	2R8A	1.2	2.8	24.9			41.9
	0.75	5R5A	1.9	5.5	52.7	8	77.7	
	1.5	120A	4	11.6	68.2	10	22	100.2
Three-phase 200 V	0.05	R70A	0.2	0.66	5.1	—	17	22.1
	0.1	R90A	0.3	0.91	7.3			24.3
	0.2	1R6A	0.6	1.6	13.5			30.5
	0.4	2R8A	1	2.8	24.0			41.0
	0.5	3R8A	1.4	3.8	20.1	8	17	45.1
	0.75	5R5A	1.6	5.5	43.8			68.8
	1.0	7R6A	2.3	7.6	53.6	10	17	78.6
	1.5	120A	3.2	11.6	65.8			97.8
	2.0	180A	4	18.5	111.9	16	22	149.9
	3.0	200A	5.9	19.6	113.8			161.4
	5.0	330A	7.5	32.9	263.7	36	27	326.7
	6.0	470A	10.7	46.9	279.4			(180) <sup>11</sup>
	7.5	550A	14.6	54.7	357.8	(350) <sup>12</sup>	33	390.8
	11	590A	21.7	58.6	431.7			479.7
15	780A	29.6	78	599.0	(350) <sup>12</sup>	48	647.0	
Three-phase 400 V	0.5	1R9D	1.1	1.9			24.6	14
	1.0	3R5D	2.3	3.5	46.1	81.1		
	1.5	5R4D	3.5	5.4	71.3	106.3		
	2.0	8R4D	4.5	8.4	77.9	28	25	130.9
	3.0	120D	7.1	11.9	108.7			161.7
	5.0	170D	11.7	16.5	161.1	36	24	221.1
	6.0	210D	12.4	20.8	172.7			(180) <sup>13</sup>
	7.5	260D	14.4	25.7	218.6	(350) <sup>14</sup>	27	245.6
	11	280D	21.9	28.1	294.6			324.6
	15	370D	30.6	37.2	403.8			433.8

\*1: For the optional JUSP-RA04-E regenerative resistor unit.

\*2: For the optional JUSP-RA05-E regenerative resistor unit.

\*3: For the optional JUSP-RA18-E regenerative resistor unit.

\*4: For the optional JUSP-RA19-E regenerative resistor unit.

Notes: 1 SGDVR70F, R90F, 2R1F, 2R8F, R70A, R90A, 1R6A, and 2R8A SERVOPACKs do not have built-in regenerative resistors.

If the regenerative energy exceeds the specified value, connect an external regenerative resistor (optional).

2 SGDVR470A, 550A, 590A, 780A, 210D, 260D, 280D, 370D SERVOPACKs do not have built-in regenerative resistors.

Be sure to connect a regenerative resistor unit (optional) or an external regenerative resistor (optional). For selection details, refer to page 339.

3 Regenerative resistor power losses are allowable losses. Take the following action if this value is exceeded.

· Remove the lead or short bar that is short-circuiting the SERVOPACK main circuit terminal B2 and B3.

(SGDV3R8A, 5R5A, 7R6A, 120A, 180A, 200A, 330A, or 400 V class SERVOPACKs.)

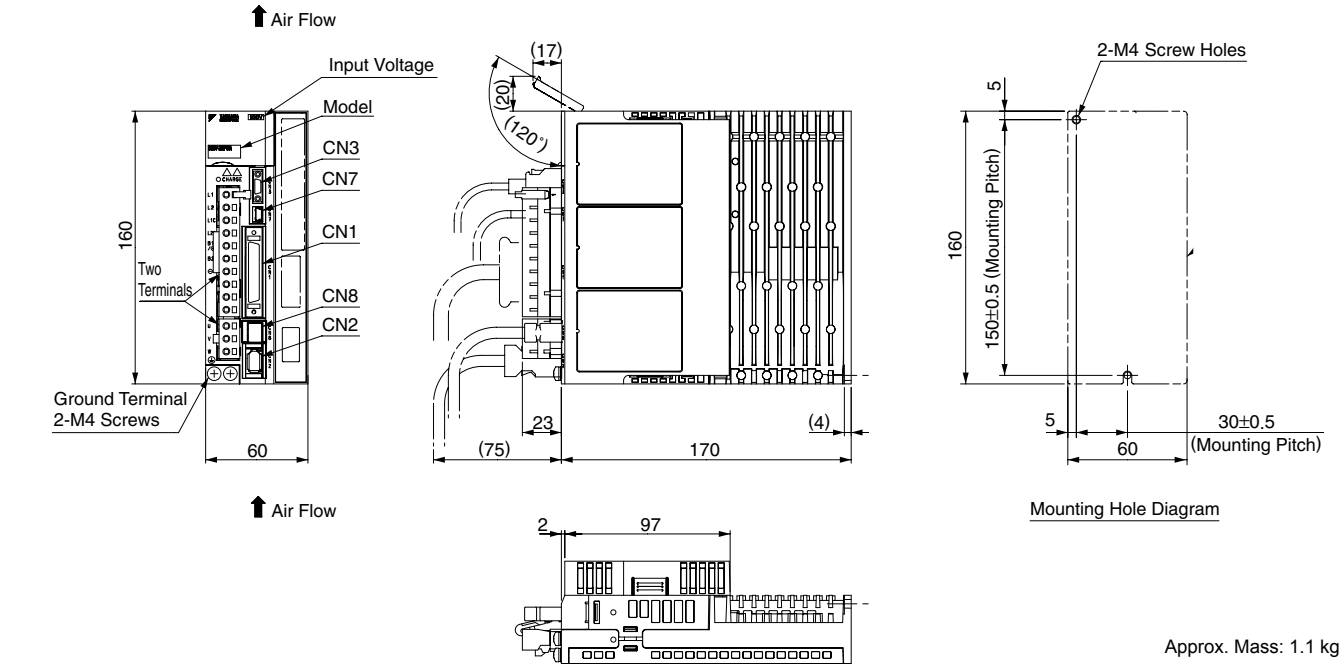
· Install an external regenerative resistor (optional). For selection details, refer to page 339.

### External Dimensions Units: mm (for Analog Voltage/Pulse Train Reference Type SERVOPACKs)

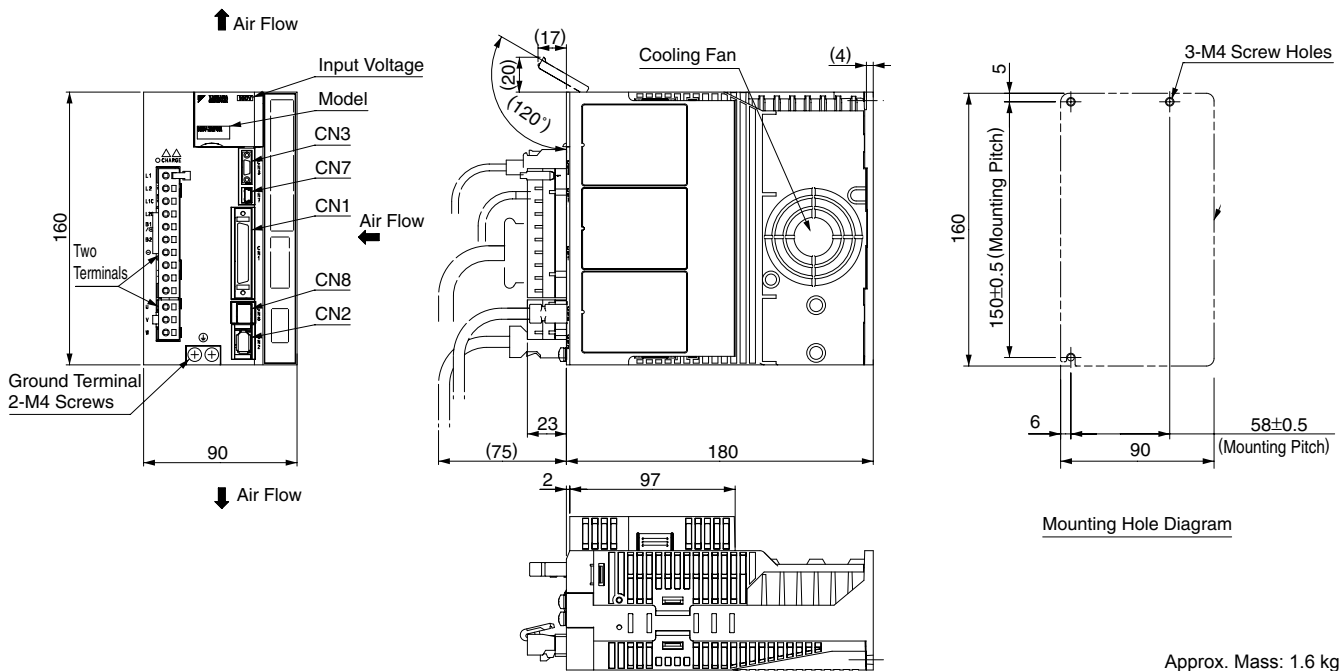
The following drawings illustrate the external dimensions of SERVOPACKs with Interface Options 0 and 1 with option modules. For details on options available with these SERVOPACKs, refer to pages 311-316.

#### ● Base-mounted SERVOPACKs

- (1) Single-phase 100 VAC, Model:SGDVR70F0□A000000□□□, SGDVR90F0□A000000□□□, and SGDV2R1F0□A000000□□□

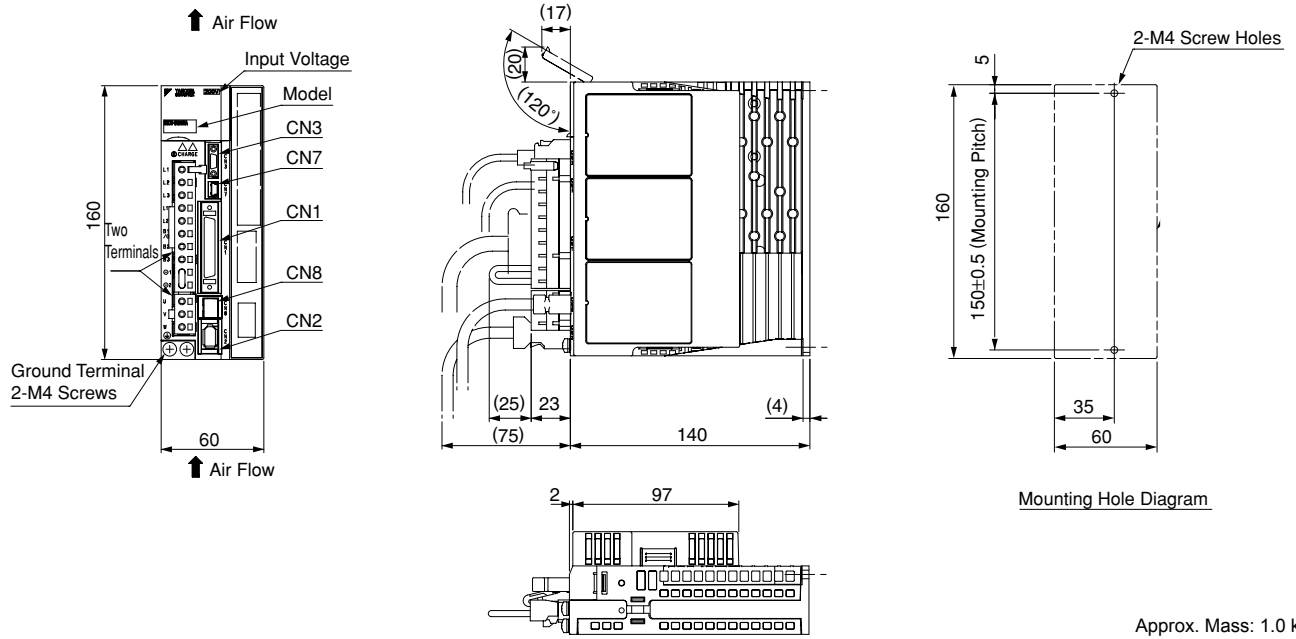


- (2) Single-phase 100 VAC, Model: SGDV2R8F0□A000000□□□

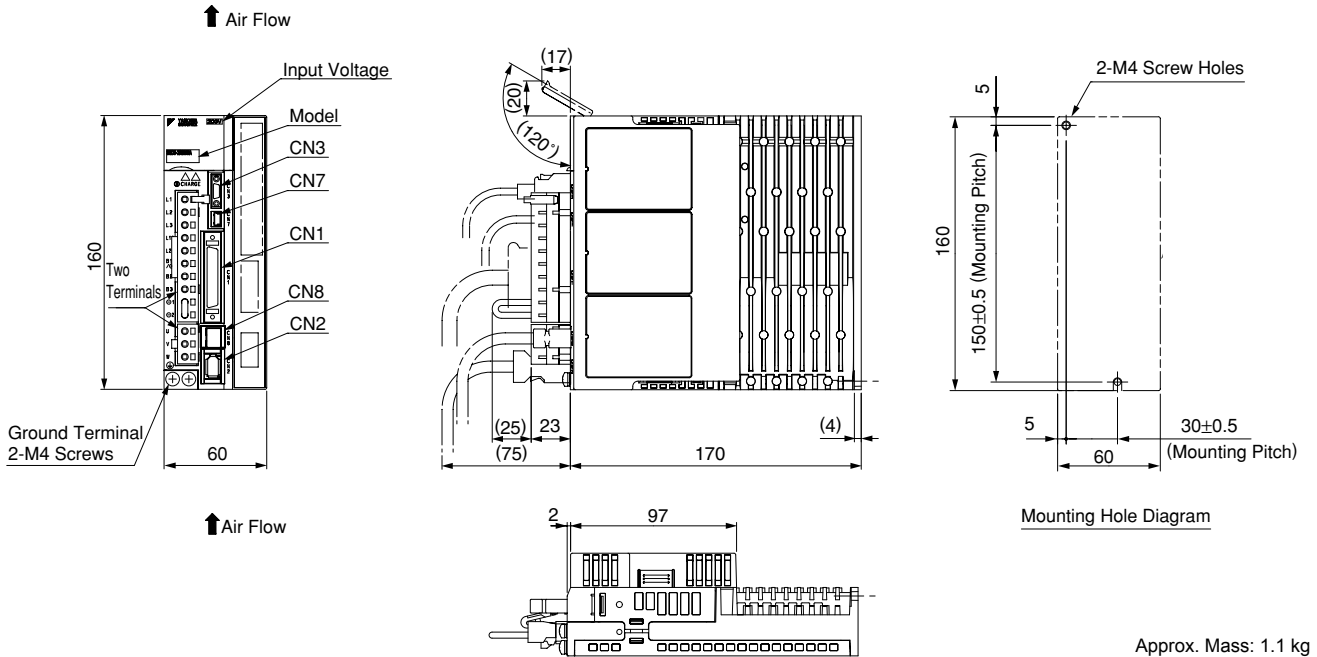


**External Dimensions** Units: mm (for Analog Voltage/Pulse Train Reference Type SERVOPACKs)

(3) Three-phase 200 VAC, Model: SGDVR70A0□A00000□□□, SGDVR90A0□A00000□□□, and SGDV1R6A0□A00000□□□



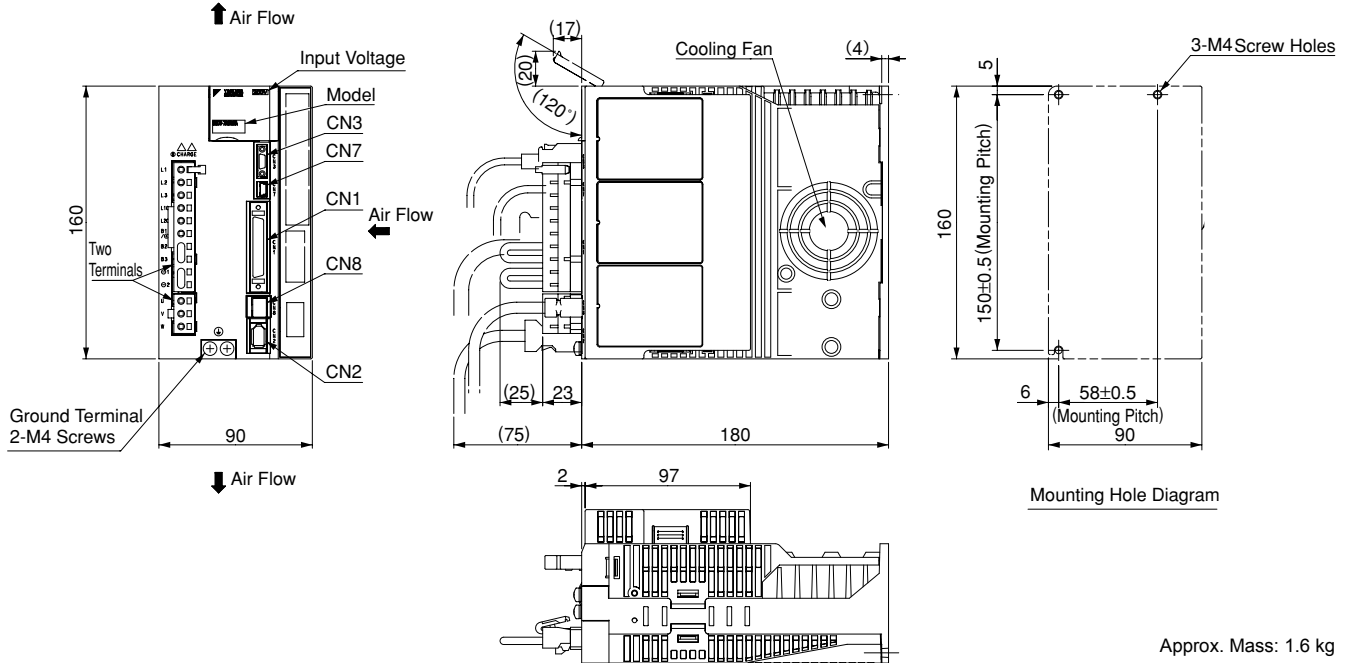
(4) Three-phase 200 VAC, Model: SGD2R8A0□A00000□□□



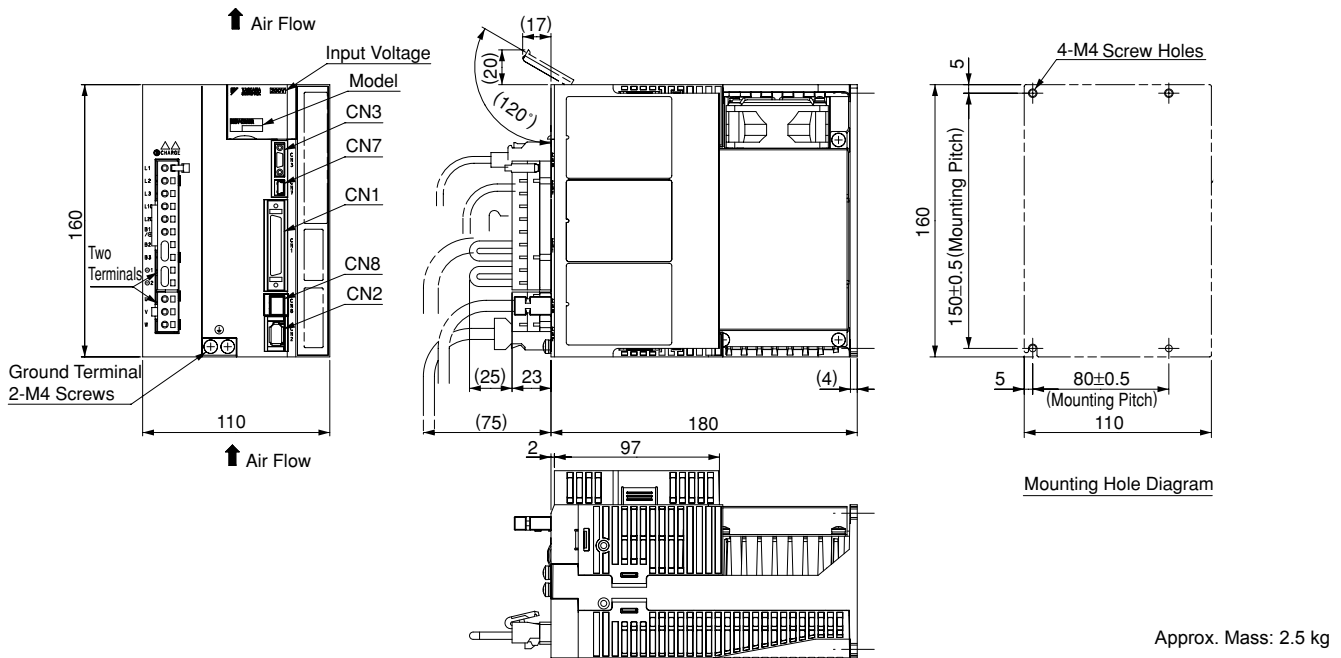


External Dimensions Units: mm (for Analog Voltage/Pulse Train Reference Type SERVOPACKs)

(5) Three-phase 200 VAC, Model: SGDV3R8A0□A00000□□□, SGDV5R5A0□A00000□□□, and SGDV7R6A0□A00000□□□

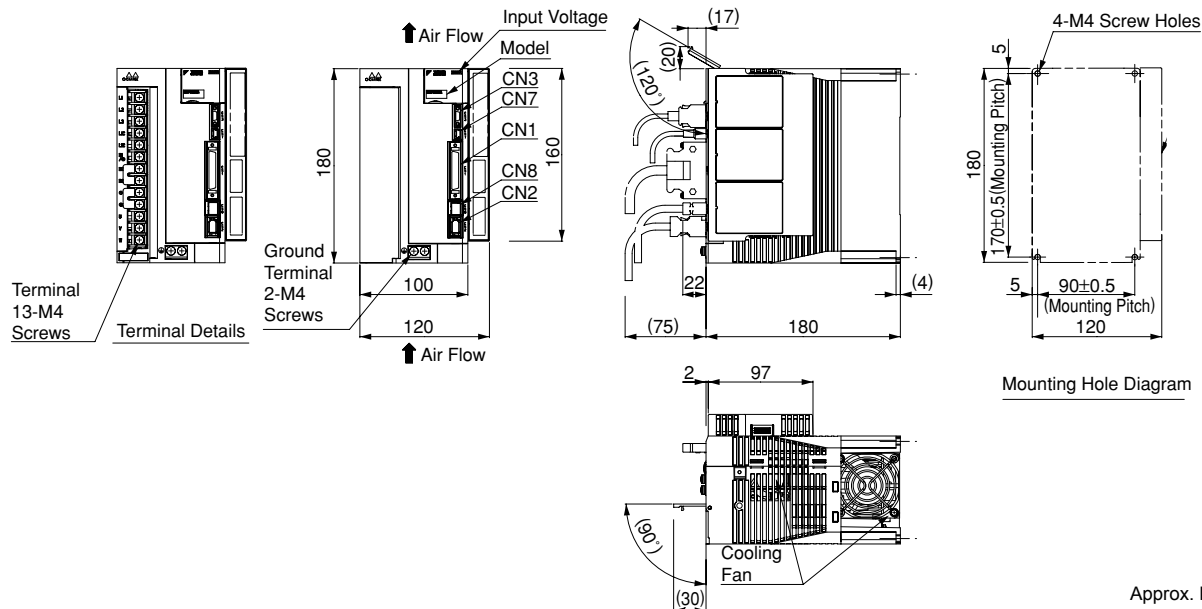


(6) Three-phase 200 VAC, Model: SGDV120A0□A00000□□□

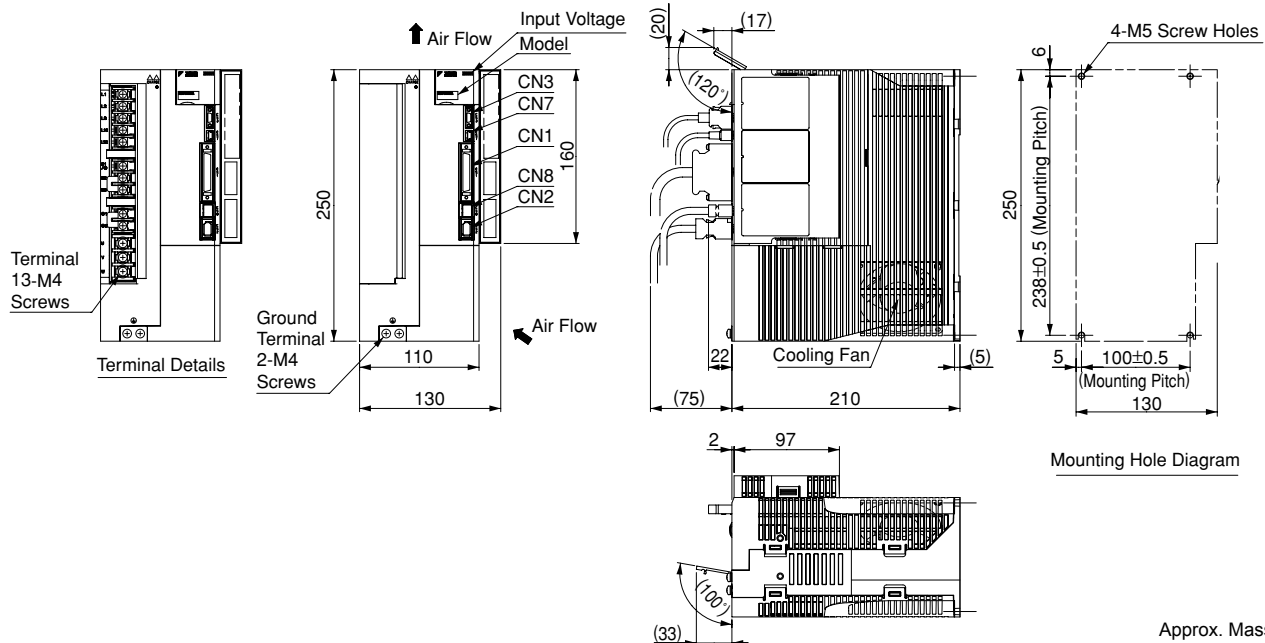


**External Dimensions** Units: mm (for Analog Voltage/Pulse Train Reference Type SERVOPACKs)

(7) Single-phase 200 VAC, Model: SGDV120A0□A008000□□□ (1.5 kW, single-phase input type)  
 Three-phase 200 VAC, Model: SGDV180A0□A000000□□□, and SGDV200A0□A000000□□□

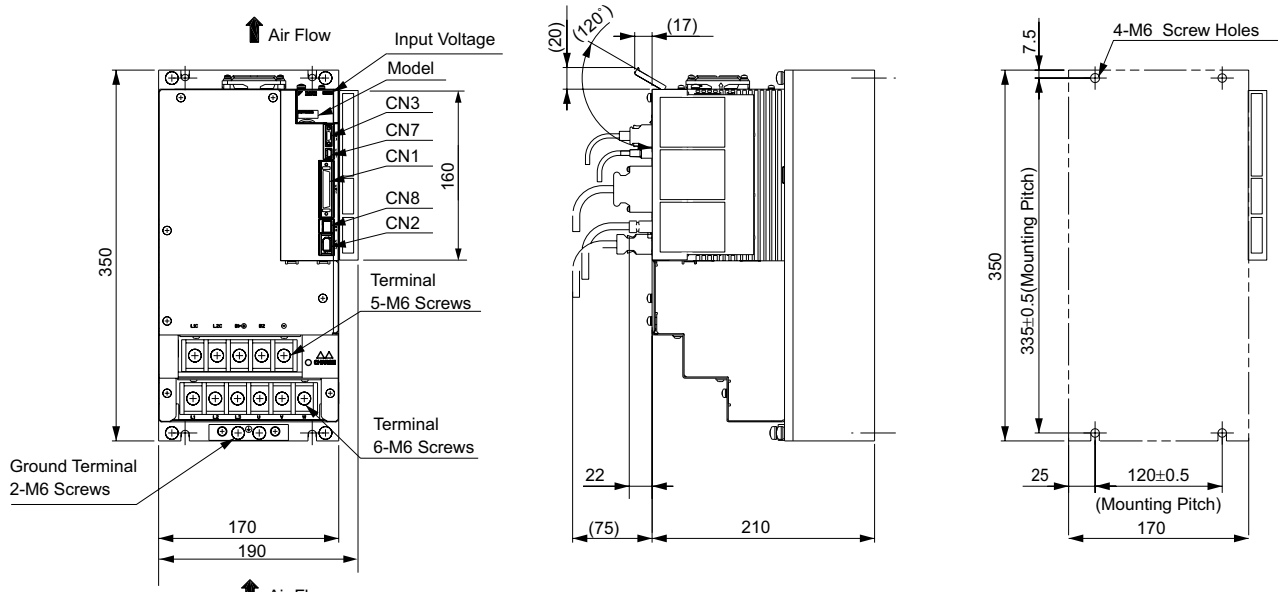


(8) Three-phase 200 VAC, Model: SGDV330A0□A000000□□□



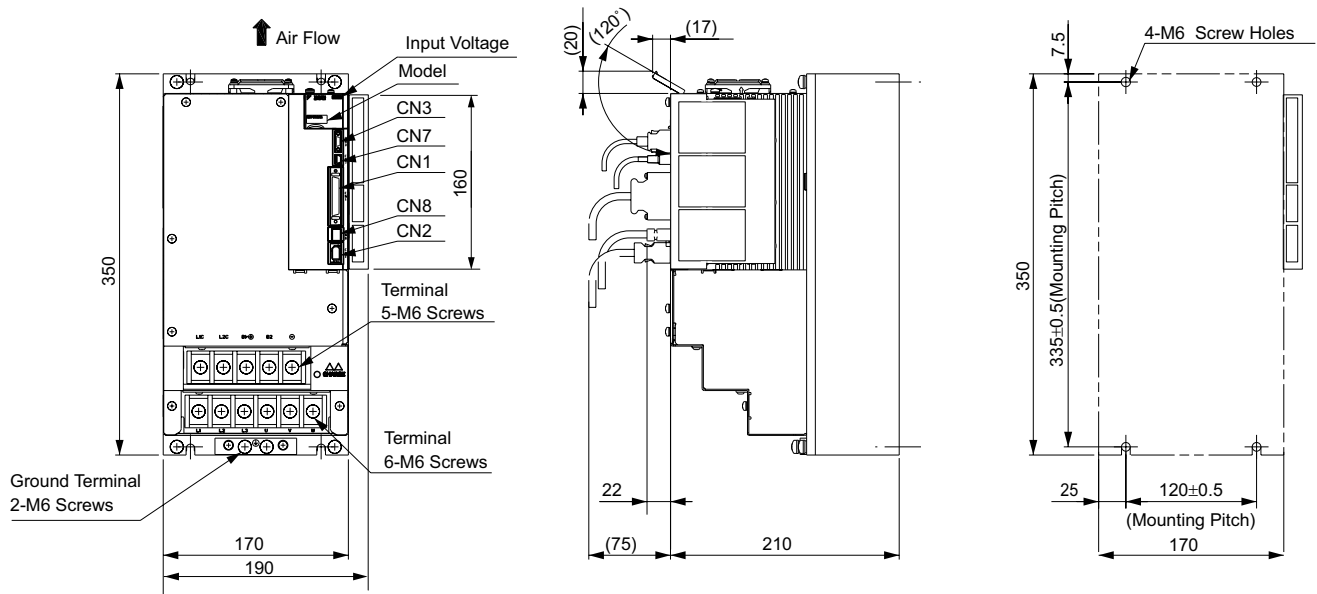
External Dimensions Units: mm (for Analog Voltage/Pulse Train Reference Type SERVOPACKs)

(9) Three-phase 200 VAC, Model: SGDV470A0□A000000□□□, SGDV550A0□A000000□□□



Approx. Mass: 1.6 kg

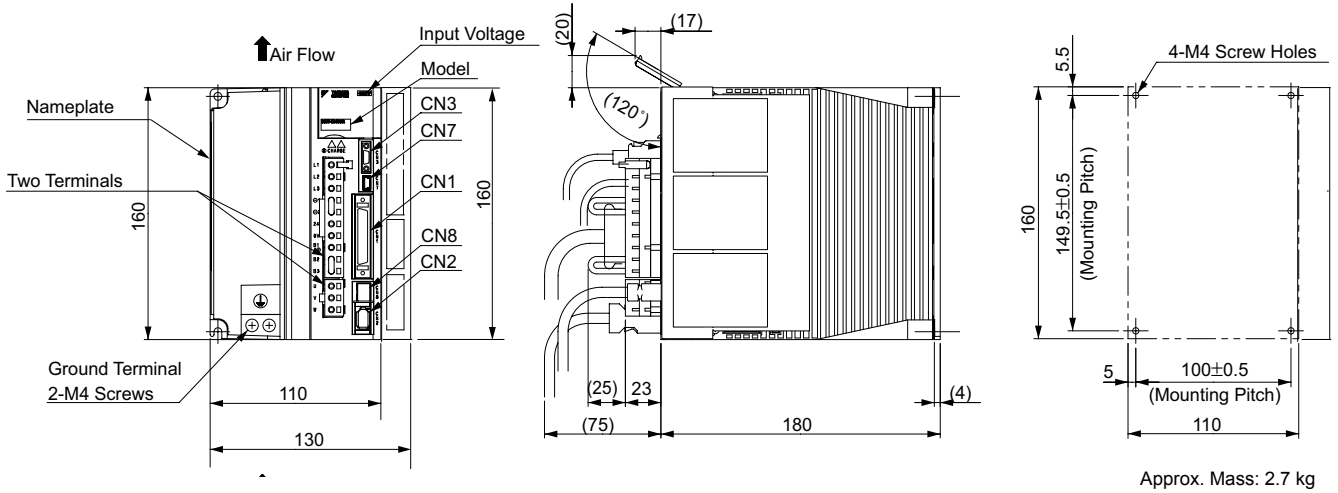
(10) Three-phase 200 VAC, Model: SGDV590A0□A000000□□□, SGDV780A0□A000000□□□



Approx. Mass: 2.5 kg

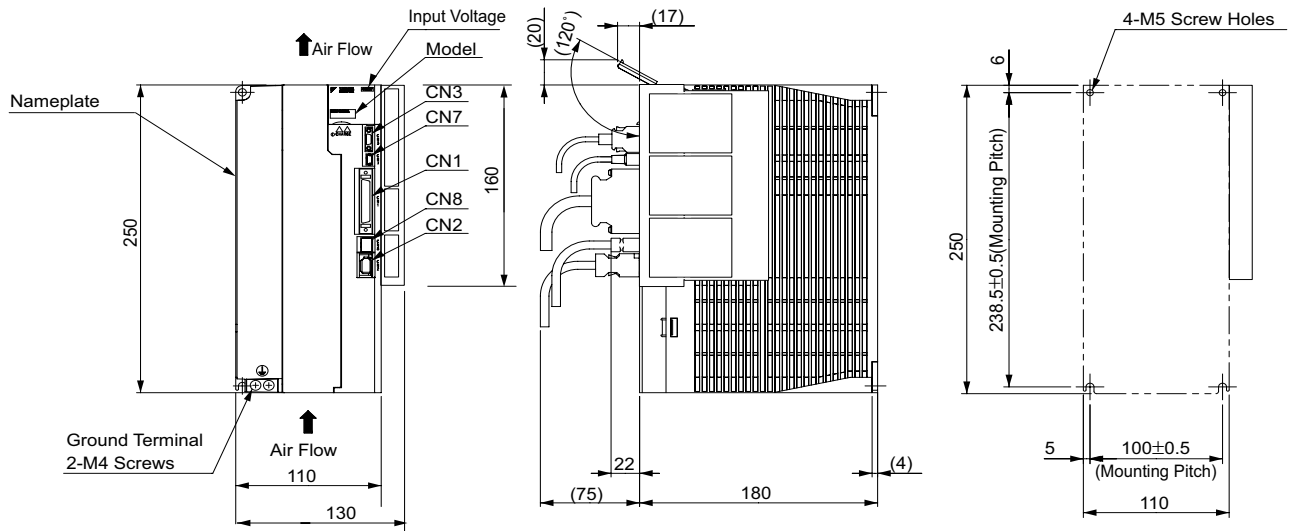
**External Dimensions** Units: mm (for Analog Voltage/Pulse Train Reference Type SERVOPACKs)

(11) Three-phase 400 VAC, Model: SGDV1R9D0□A000000□□□, 3R5D0□A000000□□□, and 5R4D0□A000000□□□



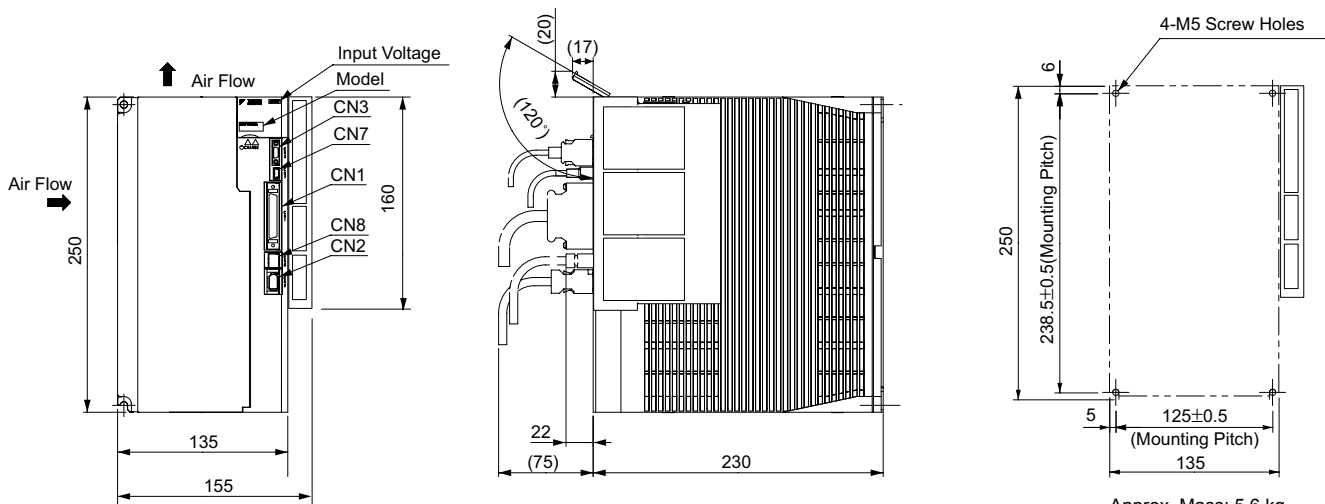
Approx. Mass: 2.7 kg

(12) Three-phase 400 VAC, Model: SGDV8R4D0□A000000□□□ and 120D0□A000000□□□,



Approx. Mass: 3.7 kg

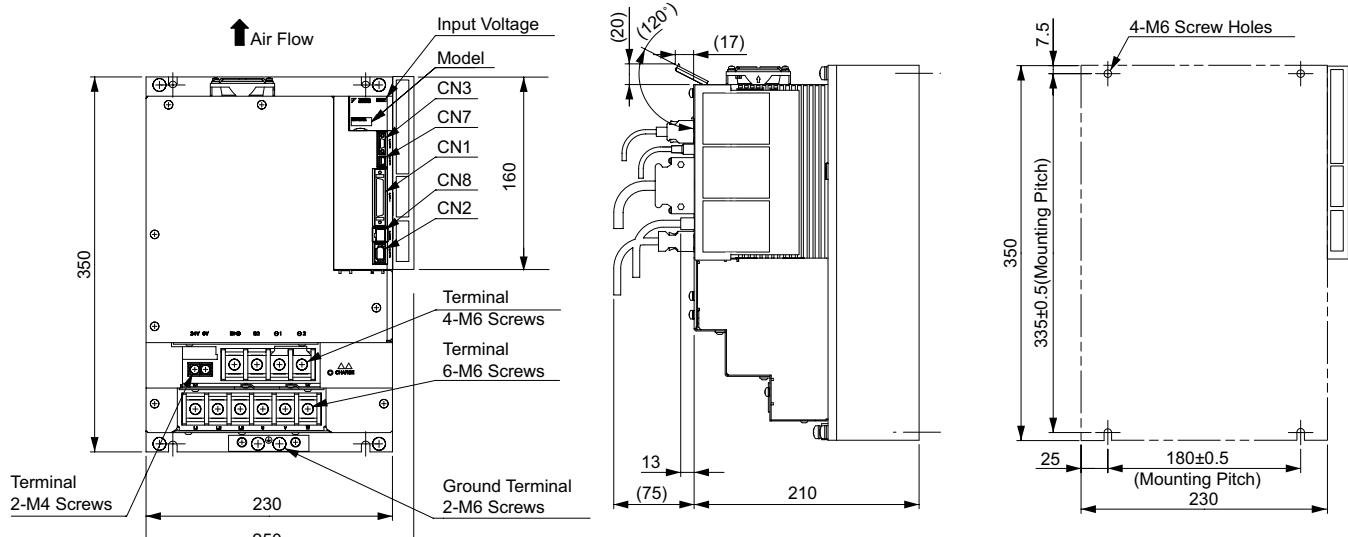
(13) Three-phase 400 VAC, Model: SGDV170D0□A000000□□□



Approx. Mass: 5.6 kg

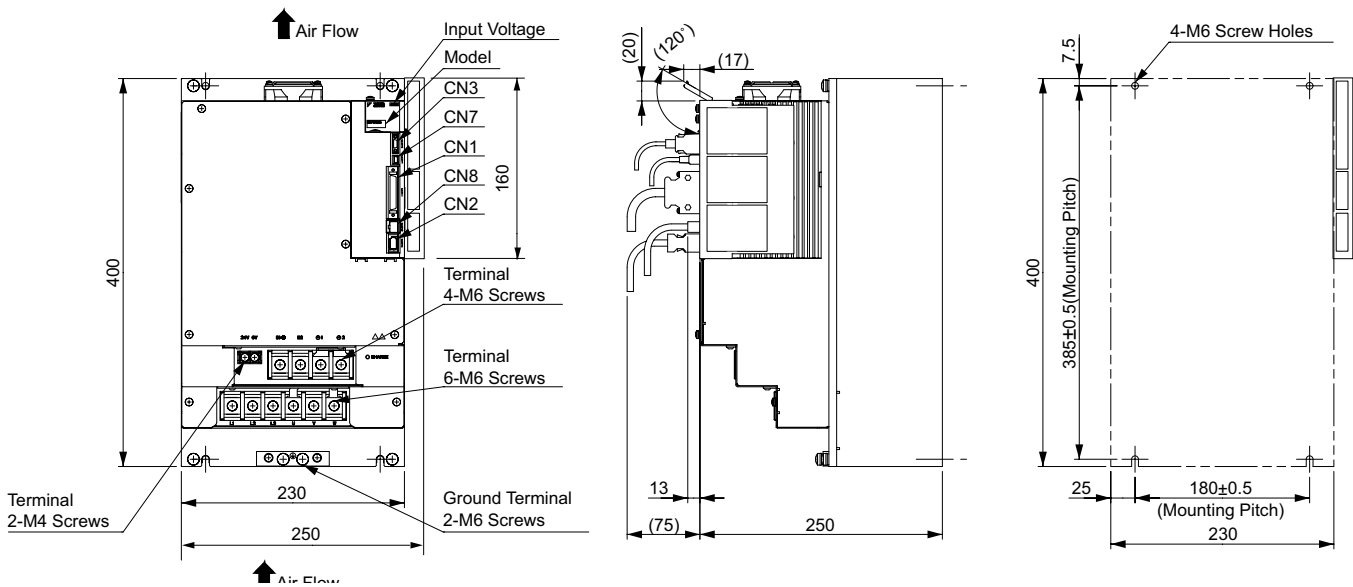
**External Dimensions** Units: mm (for Analog Voltage/Pulse Train Reference Type SERVOPACKs)

(14) Three-phase 400 VAC, Model: SGDV210D0□A000000□□□ and 260D0□A000000□□□



Approx. Mass: 11.3 kg

(15) Three-phase 400 VAC, Model: SGDV280D0□A000000□□□ and 370D0□A000000□□□



Approx. Mass: 16.2 kg

**Connectors for Base-mounted SERVOPACKs**

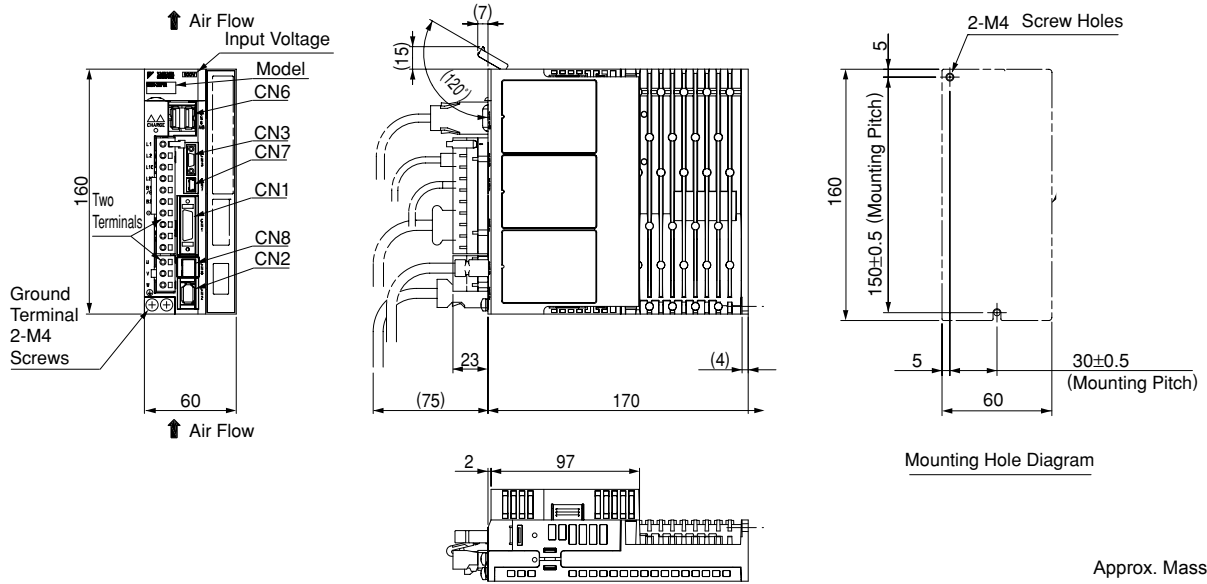
Port	Model	Pin	Manufacturer
CN1	10250-52A2PL	50	Sumitomo 3M Ltd.
CN2	53984-0671	6	Molex Japan Co., Ltd.
CN3	HDR-EC14LFDTN-SLE-PLUS	14	Honda Tsushin Kogyo Co., Ltd.
CN7	MNC23-5K5H00	5	ADVANCED-CONNECTEK INC.
CN8	1981080-1	8	Tyco Electronics AMP K.K.

Note: The connectors above or their equivalents are used for SERVOPACKs.

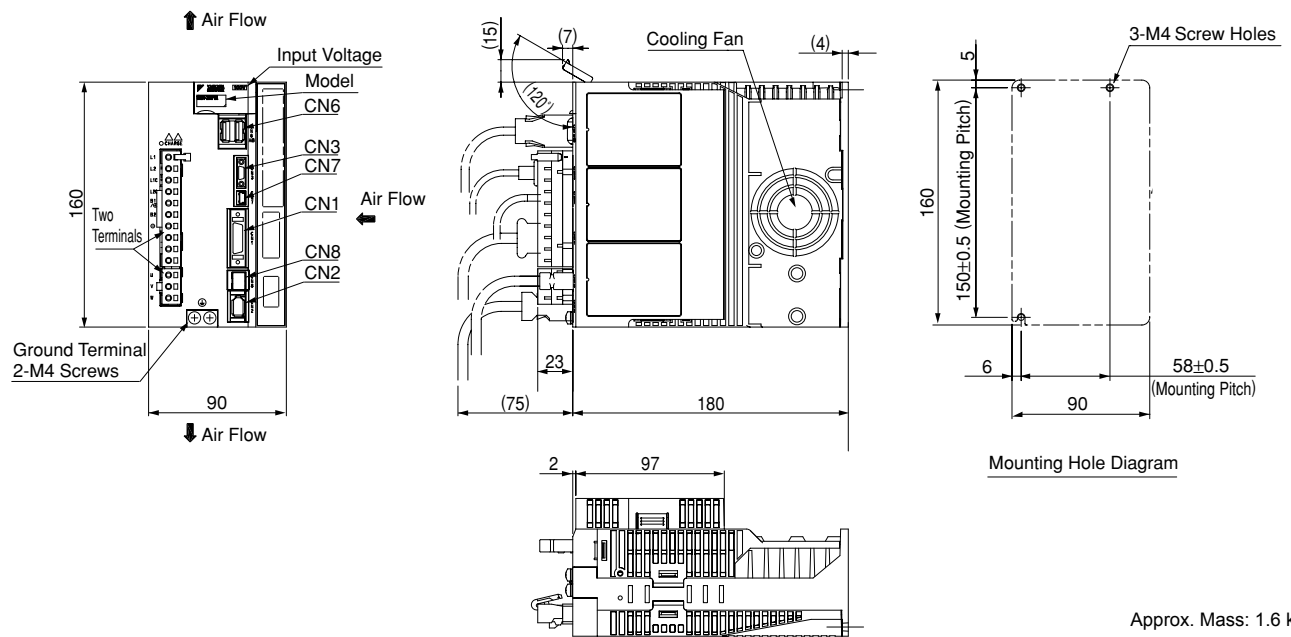
External Dimensions Units: mm (for MECHATROLINK-II Communications Reference Type SERVOPACKs)

● Base-mounted SERVOPACKs

(1) Single-phase 100 VAC, Model: SGDVR70F1□A000000□□□□, SGDVR90F1□A000000□□□□, and SGDVR2R1F1□A000000□□□□

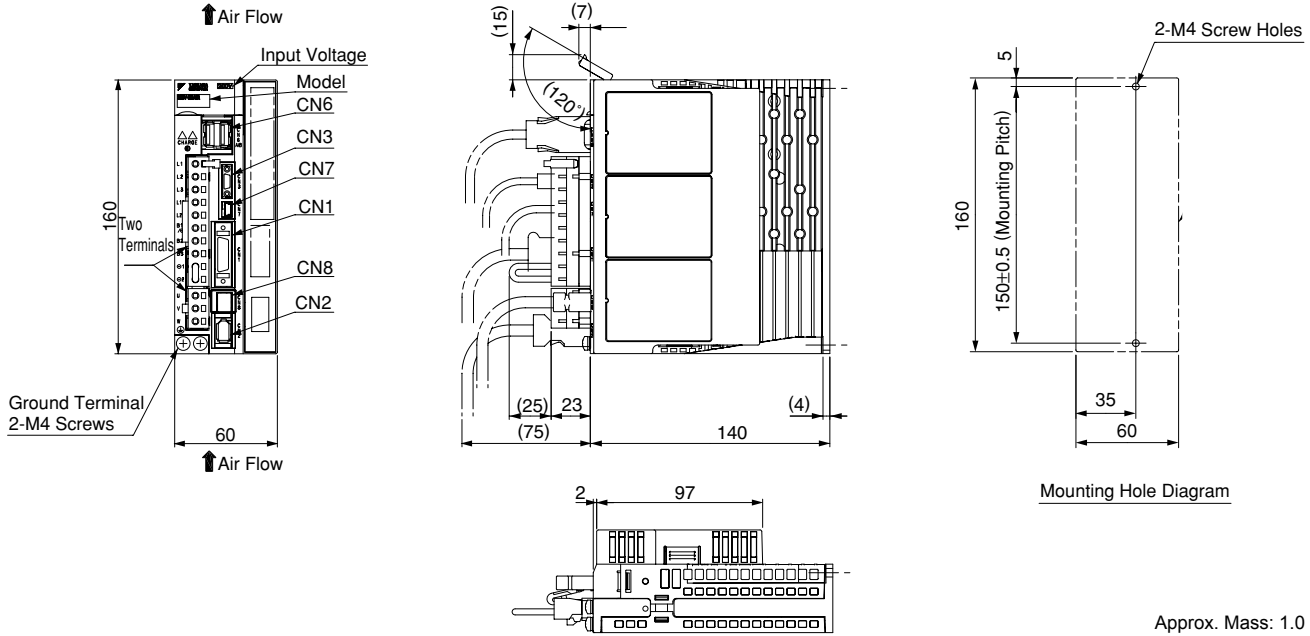


(2) Single-phase 100 VAC, Model: SGDVR2R8F1□A000000□□□□

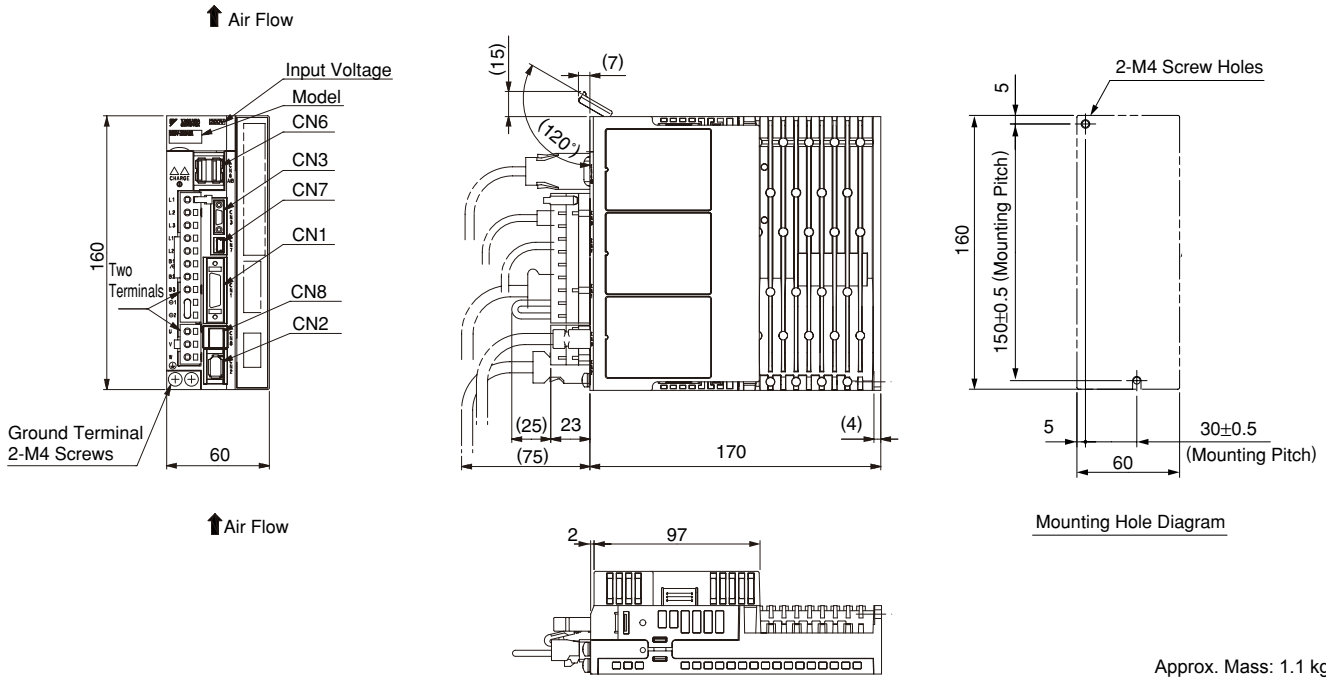


External Dimensions Units: mm (for MECHATROLINK-II Communications Reference Type SERVOPACKs)

(3) Three-phase 200 VAC, Model: SGDVR70A1□A000000□□□, SGDVR90A1□A000000□□□, and SGDVR1R6A1□A000000□□□

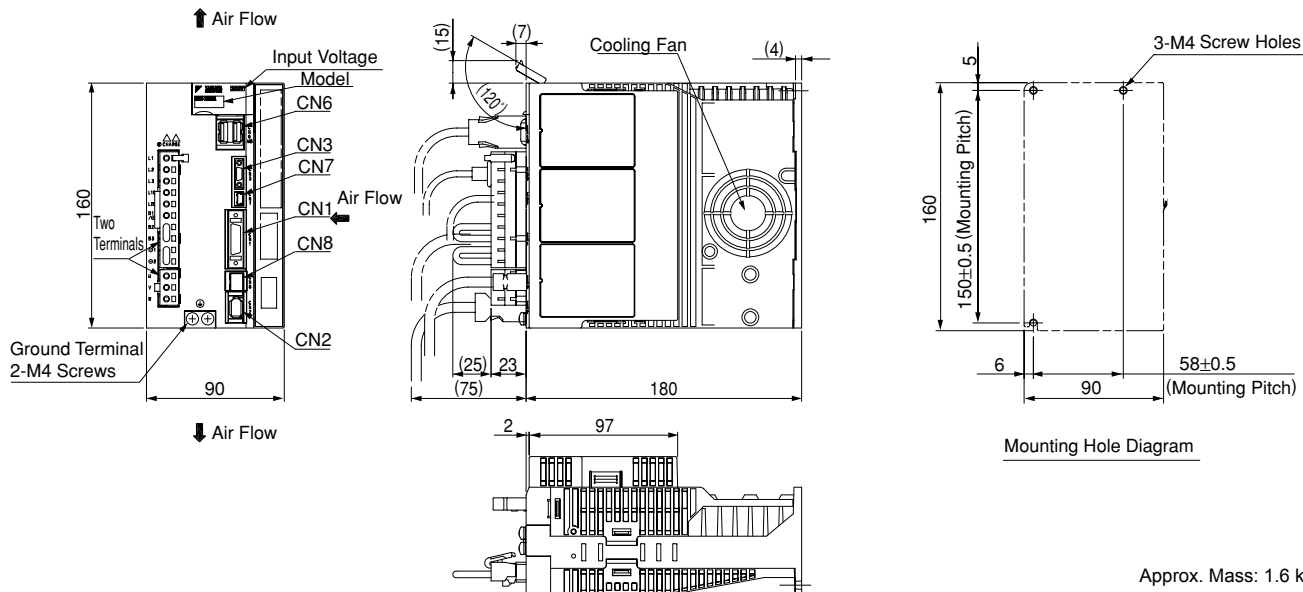


(4) Three-phase 200 VAC, Model: SGDVR2R8A1□A000000□□□

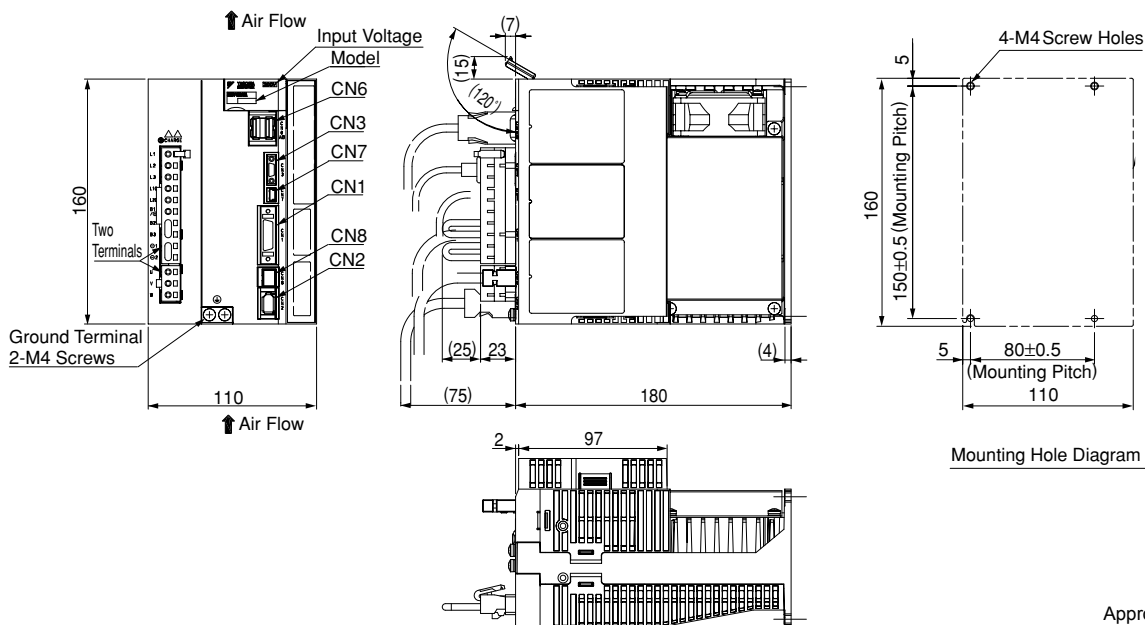


External Dimensions Units: mm (for MECHATROLINK-II Communications Reference Type SERVOPACKs)

(5) Three-phase 200 VAC, Model: SGDV3R8A1□A00000□□□, SGDV5R5A1□A00000□□□, and SGDV7R6A1□A00000□□□



(6) Three-phase 200 VAC, Model: SGDV120A1□A00000□□□

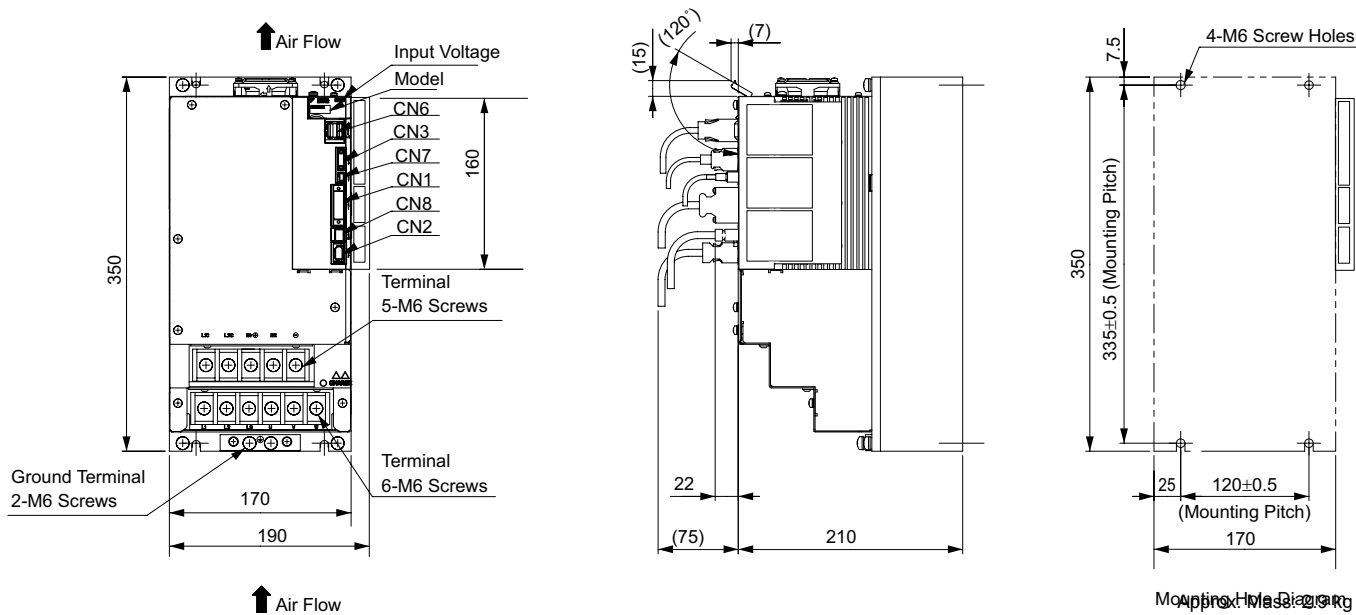




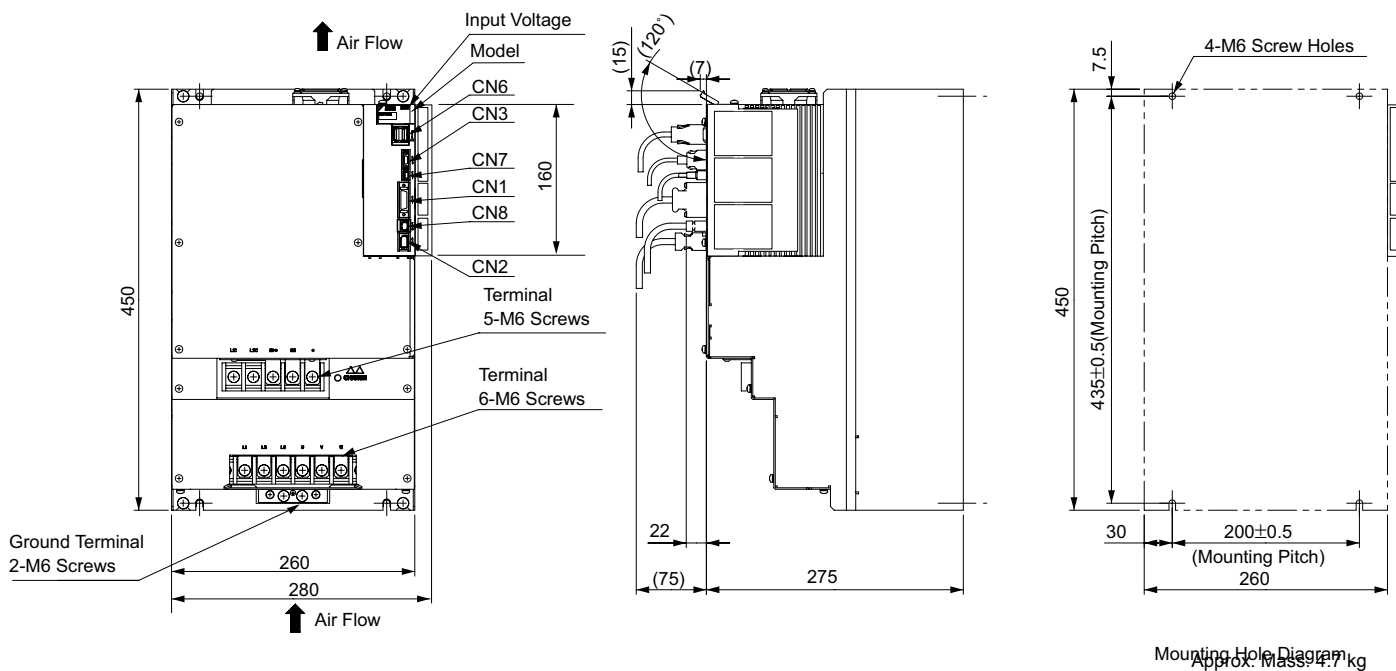


External Dimensions Units: mm (for MECHATROLINK-II Communications Reference Type SERVOPACKs)

(9) Three-phase 200 VAC, Model: SGDV470A1□A00000□□□, SGDV550A1□A00000□□□

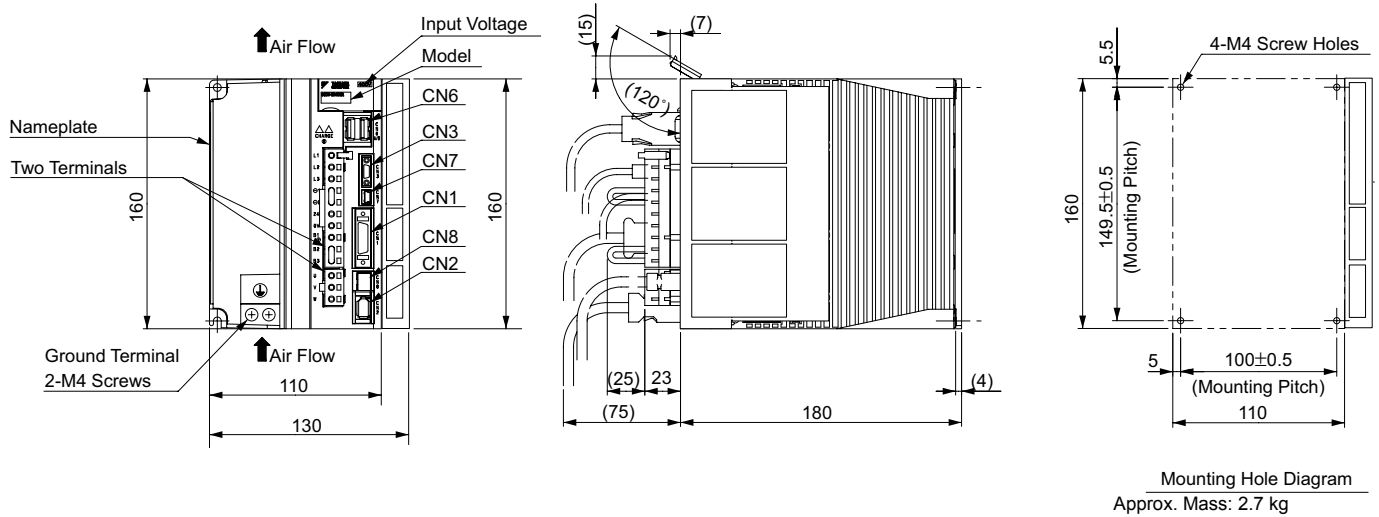


(10) Three-phase 200 VAC, Model: SGDV590A1□A00000□□□, SGDV780A1□A00000□□□

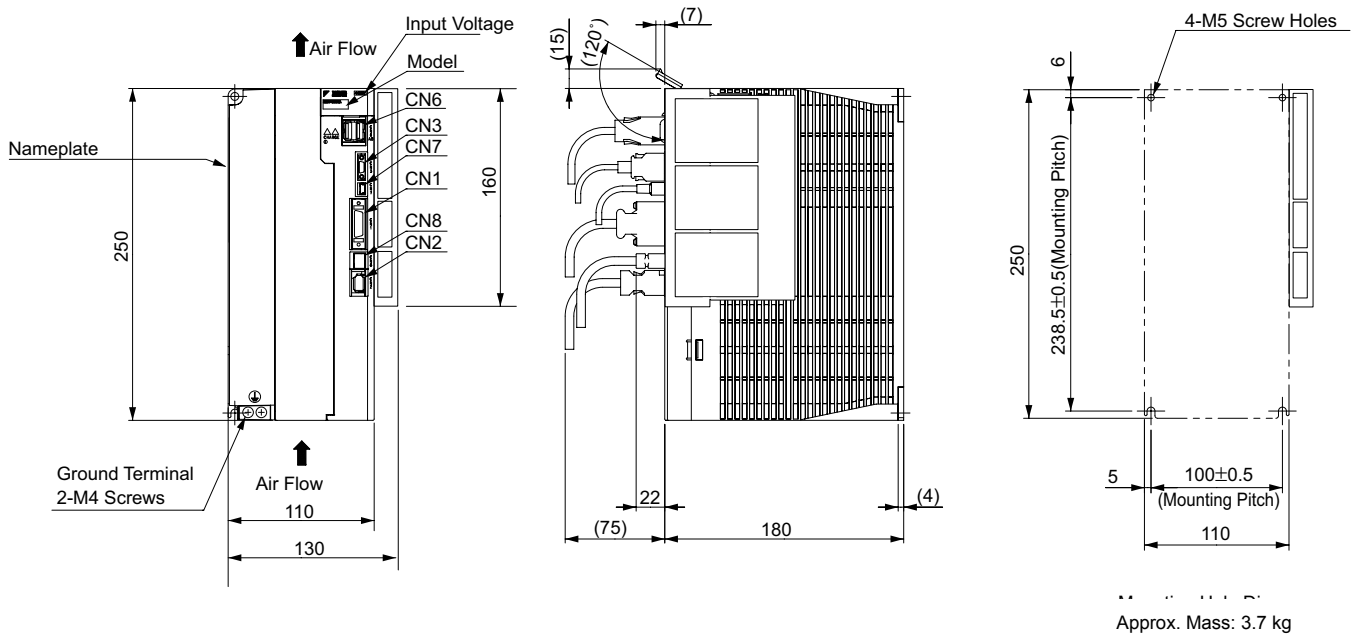


External Dimensions Units: mm (for MECHATROLINK-II Communications Reference Type SERVOPACKs)

(11) Three-phase 400 VAC, Model: SGD1R9D1□A00000□□□, 3R5D1□A00000□□□, and 5R4D1□A00000□□□

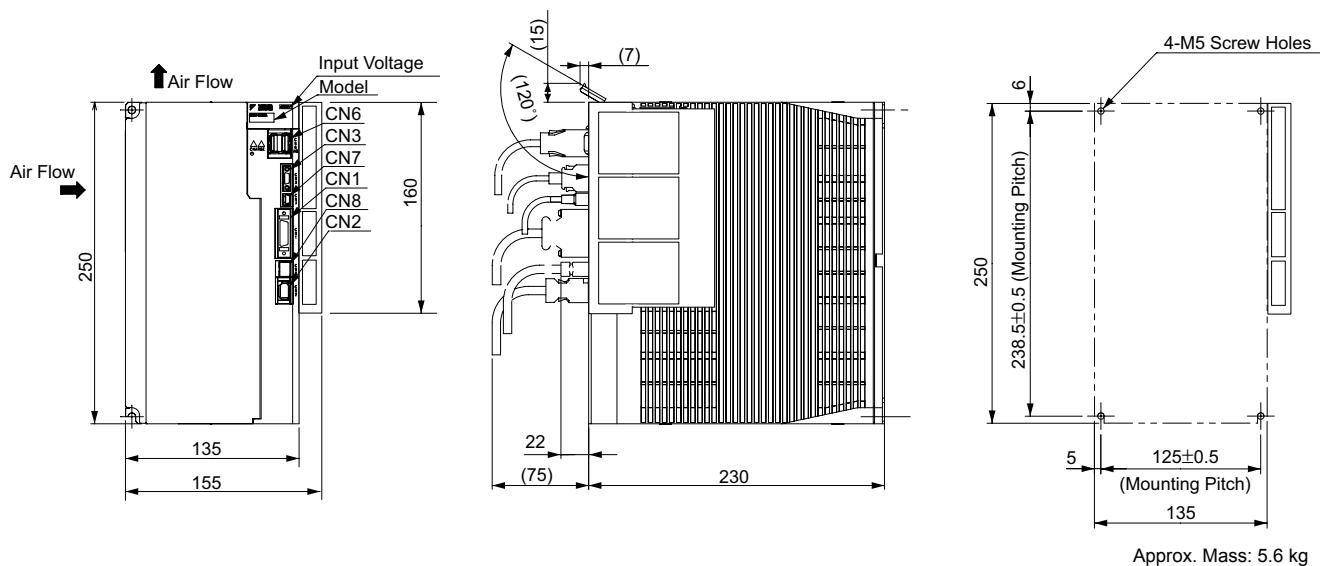


(12) Three-phase 400 VAC, Model: SGD1R84D1□A00000□□□ and 120D1□A00000□□□,

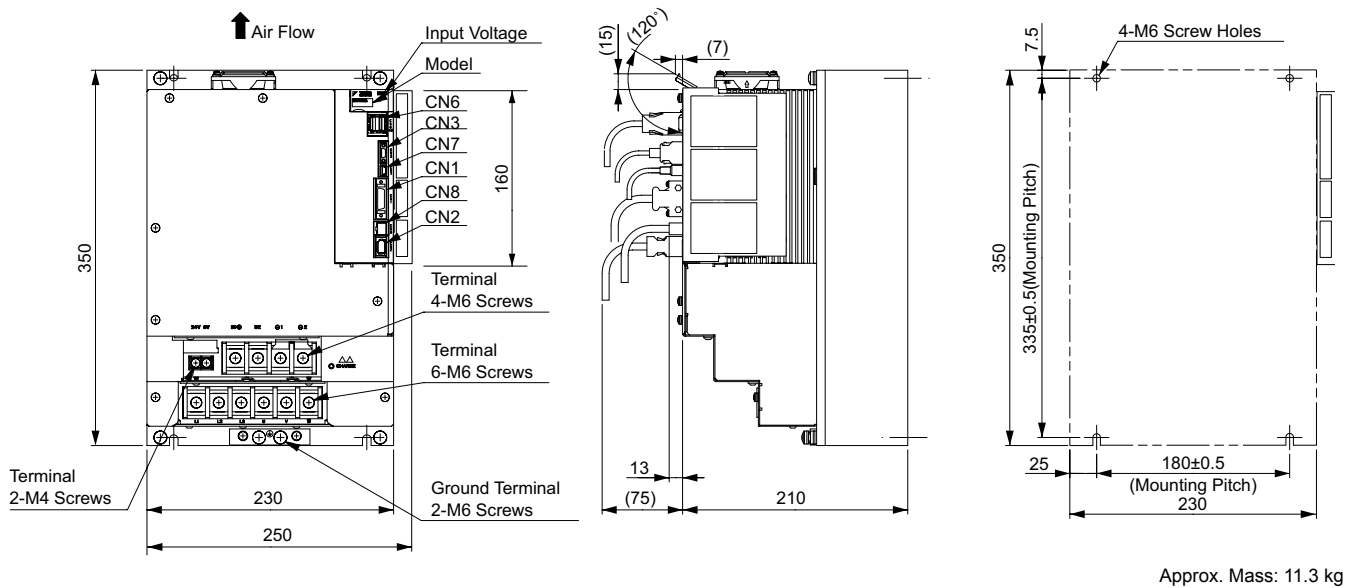


External Dimensions Units: mm (for MECHATROLINK-II Communications Reference Type SERVOPACKs)

(13) Three-phase 400 VAC, Model: SGDV170D1□A000000□□□

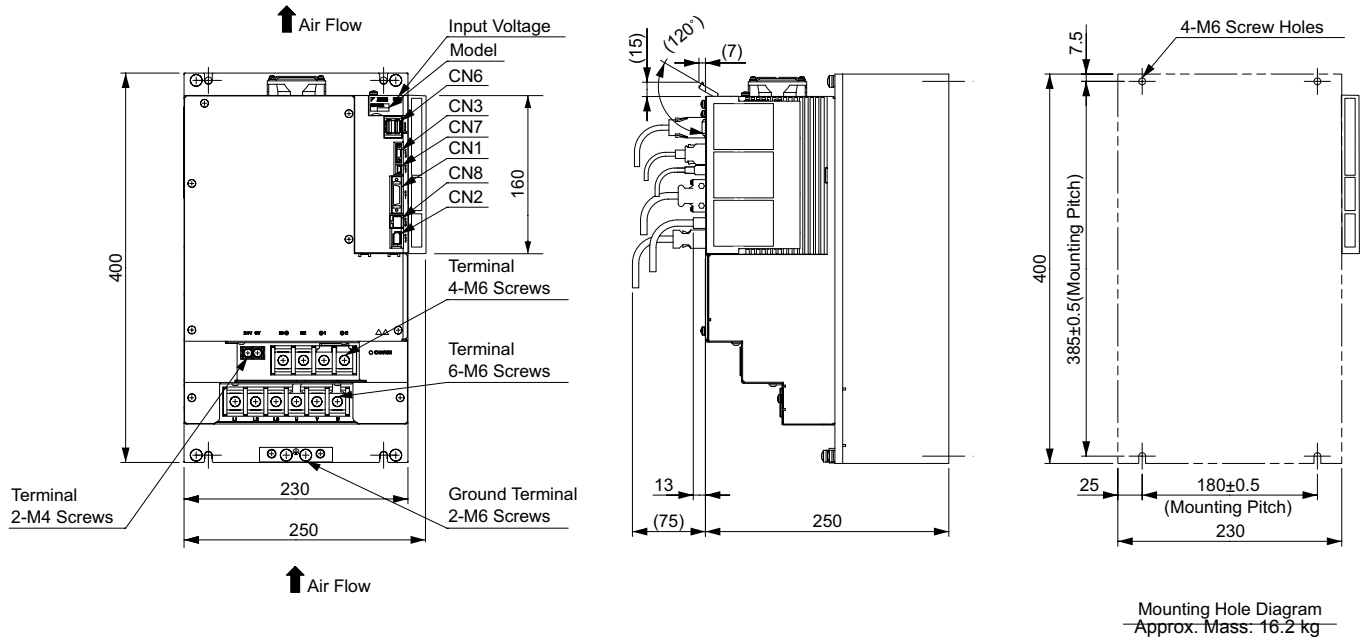


(14) Three-phase 400 VAC, Model: SGDV210D1□A000000□□□ and 260D1□A000000□□□



External Dimensions Units: mm (for MECHATROLINK-II Communications Reference Type SERVOPACKs)

(15) Three-phase 400 VAC, Model: SGDV280D1□A000000□□□ and 370D1□A000000□□□



Connectors for Base-mounted SERVOPACKs

Port	Model	Pin	Manufacturer
CN1	10226-52A2PL	26	Sumitomo 3M Ltd.
CN2	53984-0671	6	Molex Japan Co., Ltd.
CN3	HDR-EC14LFDTN-SLE-PLUS	14	Honda Tsushin Kogyo Co., Ltd.
CN6	1903815-1	8	Tyco Electronics AMP K.K.
CN7	MNC23-5K5H00	5	ADVANCED-CONNECTEK INC.
CN8	1981080-1	8	Tyco Electronics AMP K.K.

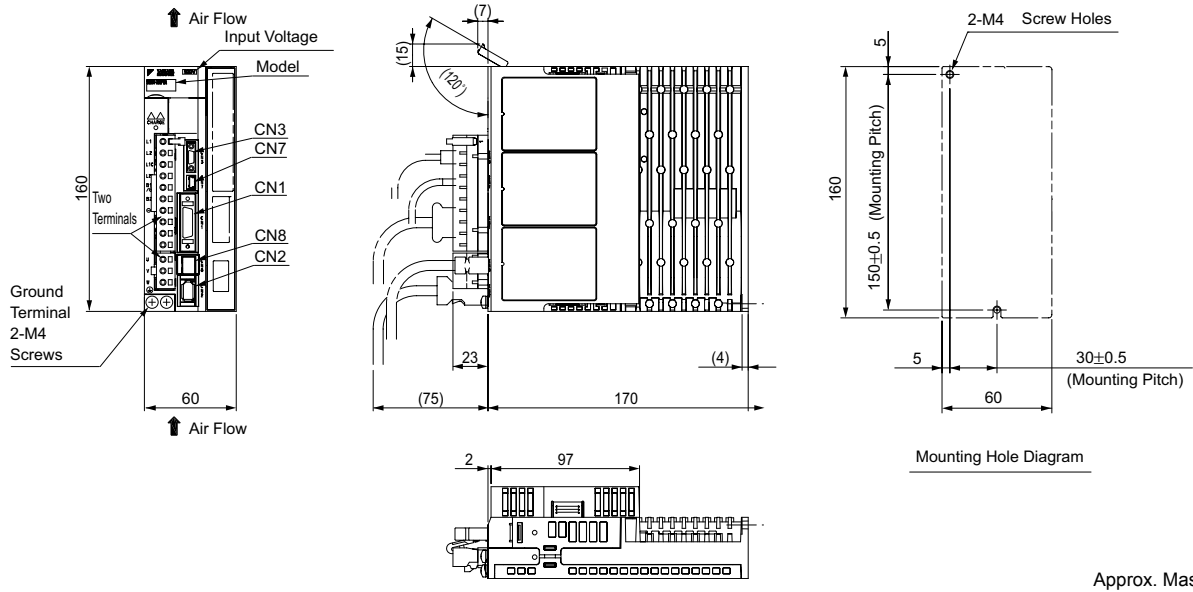
Note: The connectors above or their equivalents are used for SERVOPACKs.

**External Dimensions** Units: mm (for Other Control Architecture Type SERVOPACKs)

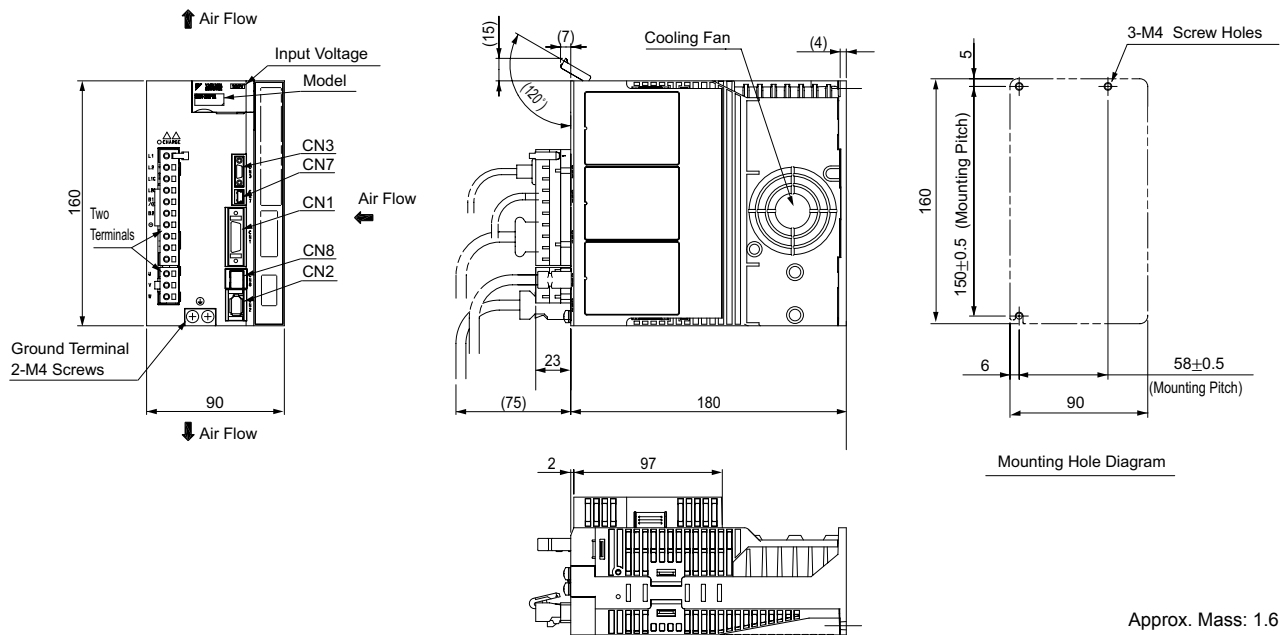
The following drawings illustrate the external dimensions of SERVOPACKs with Interface Option E with option modules. For details on options available with these SERVOPACKs, refer to pages 317-324.

● **Base-mounted SERVOPACKs**

- (1) Single-phase 100 VAC, Model: SGDVR70FE□A00000□□□, SGDVR90FE□A00000□□□, and SGDV2R1FE□A00000□□□

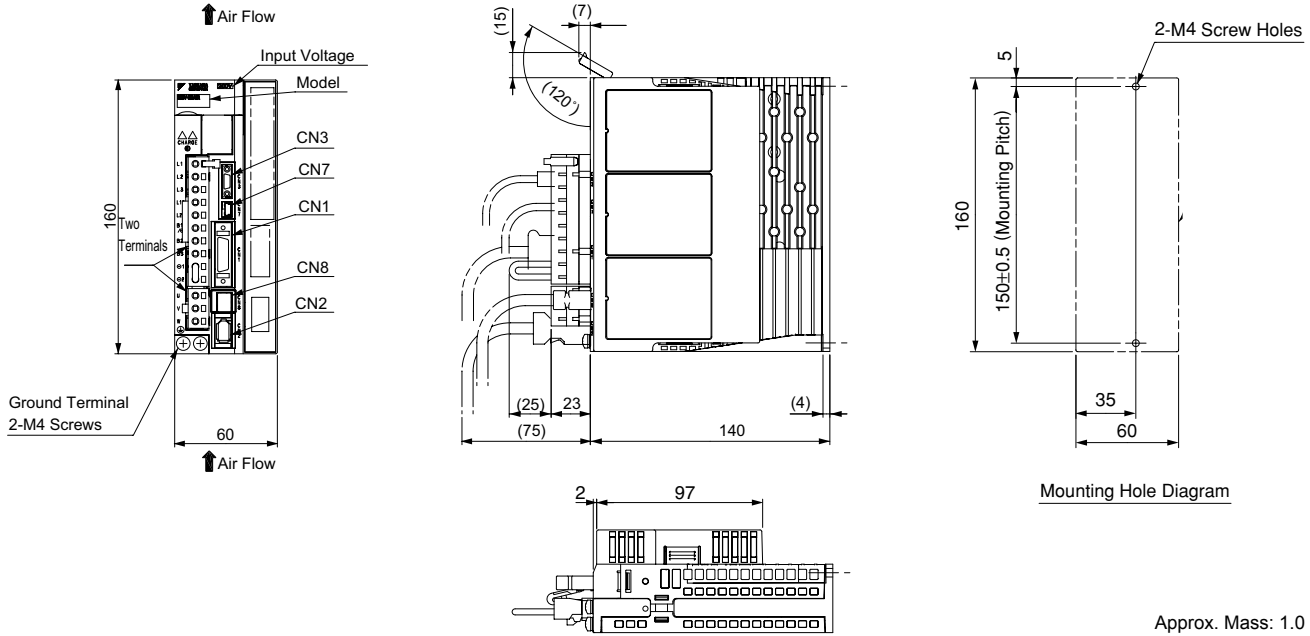


- (2) Single-phase 100 VAC, Model: SGDV2R8FE□A00000□□□

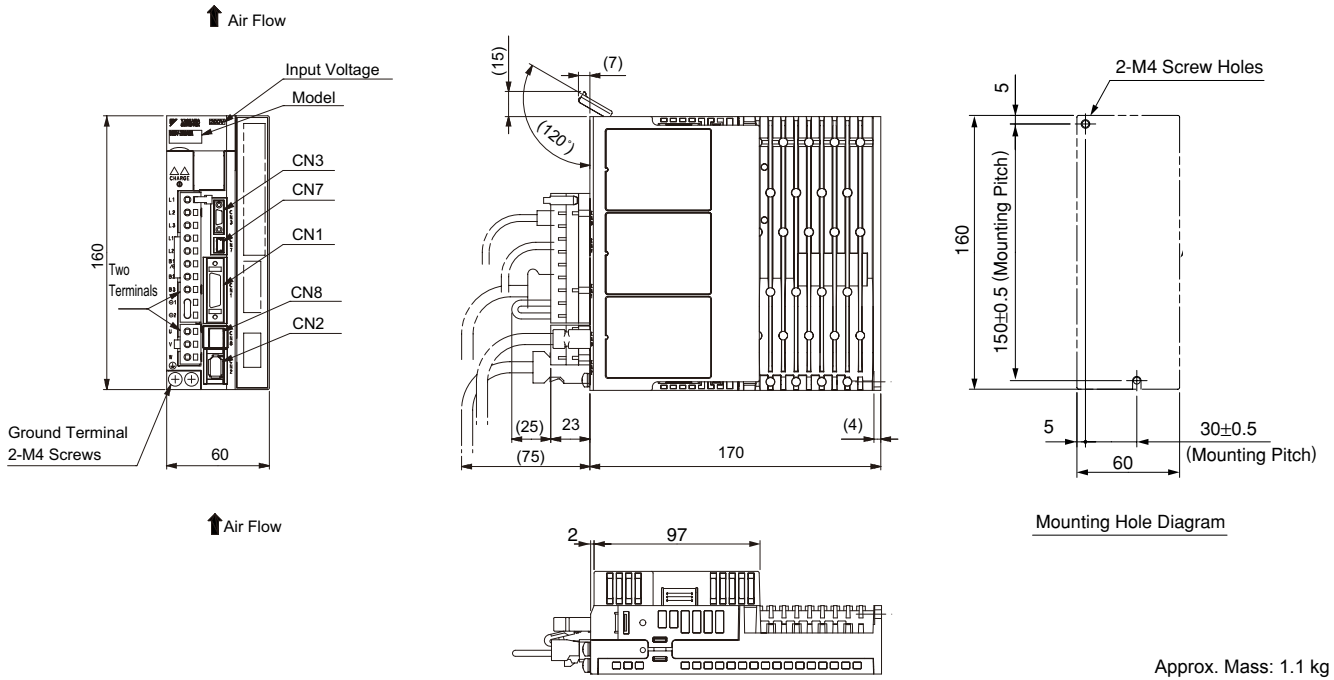


External Dimensions Units: mm (for Other Control Architecture Type SERVOPACKs)

(3) Three-phase 200 VAC, Model: SGDVR70AE□A00000□□□, SGDVR90AE□A00000□□□, and SGDVR1R6AE□A00000□□□

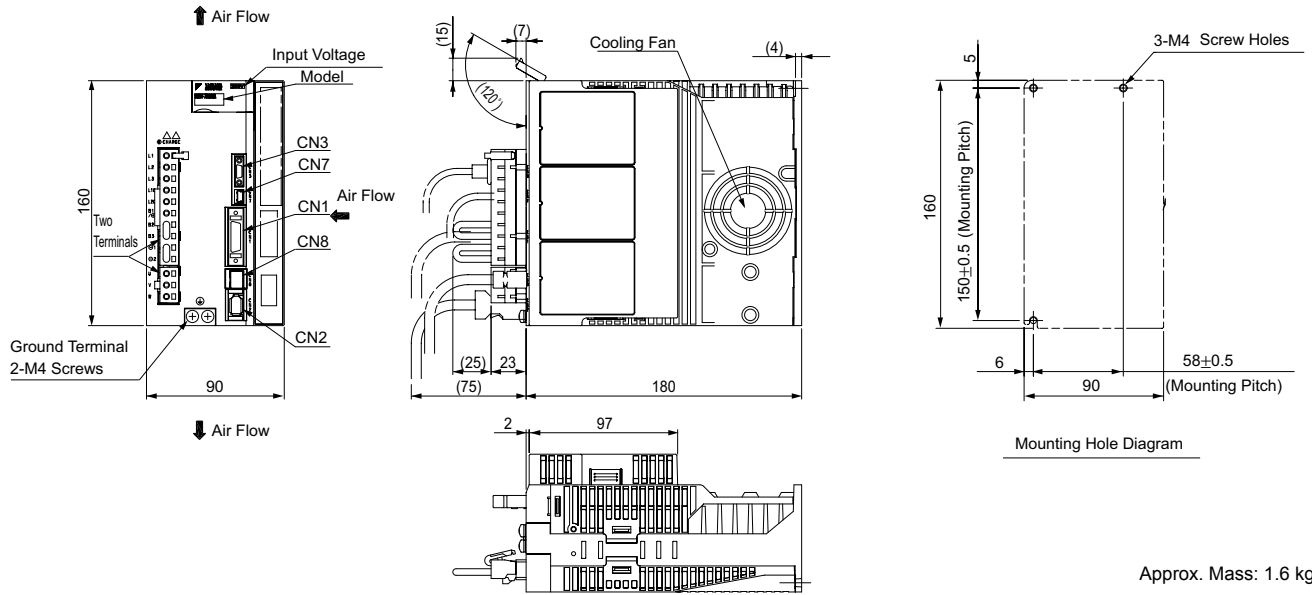


(4) Three-phase 200 VAC, Model: SGDVR2R8AE□A00000□□□

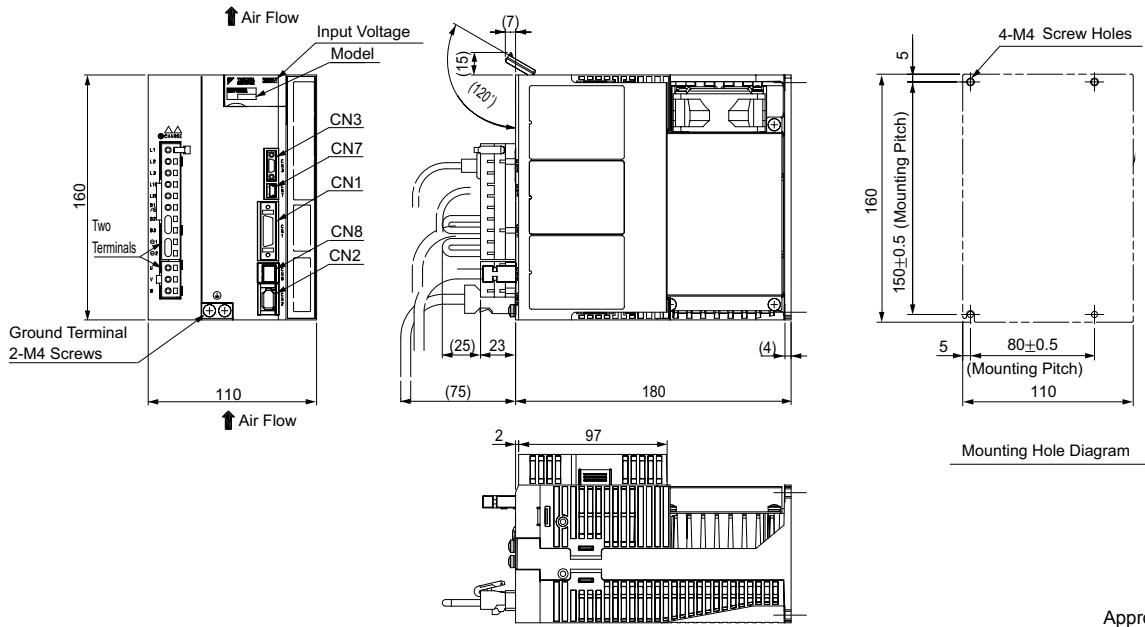


External Dimensions Units: mm (for Other Control Architecture Type SERVOPACKs)

(5) Three-phase 200 VAC, Model: SGDV3R8AE□A00000□□□, SGDV5R5AE□A00000□□□, and SGDV7R6AE□A00000□□□



(6) Three-phase 200 VAC, Model: SGDV120AE□A00000□□□

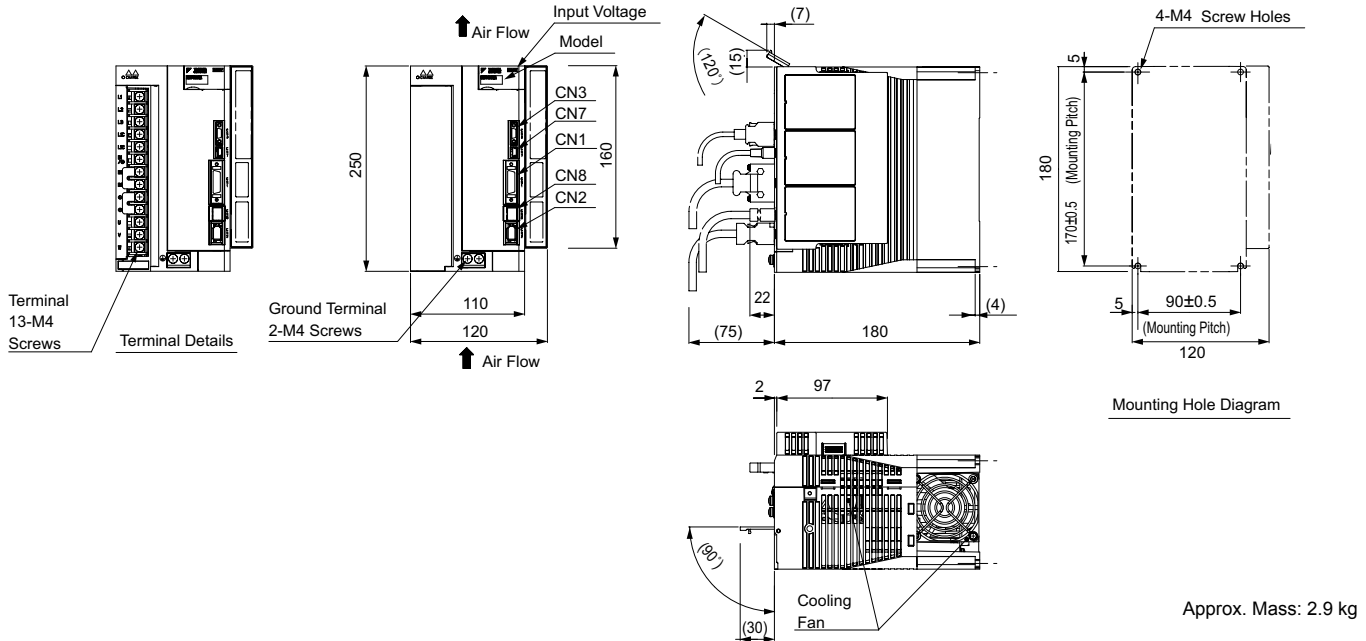




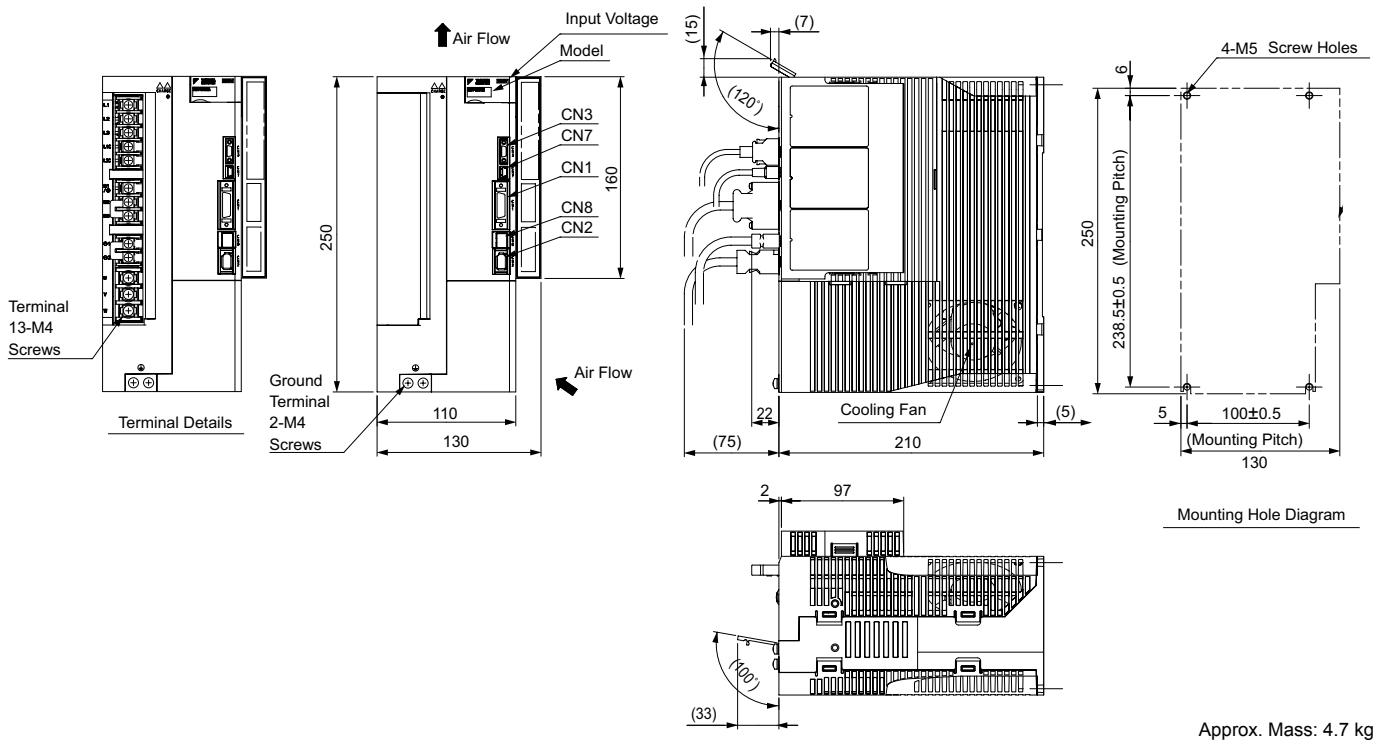
External Dimensions Units: mm (for Other Control Architecture Type SERVOPACKs)

(7) Single-phase 200 VAC, Model: SGDV120AE□A008000□□□ (1.5 kW, single-phase input type)

Three-phase 200 VAC, Model: SGDV180AE□A000000□□□, and SGDV200AE□A000000□□□

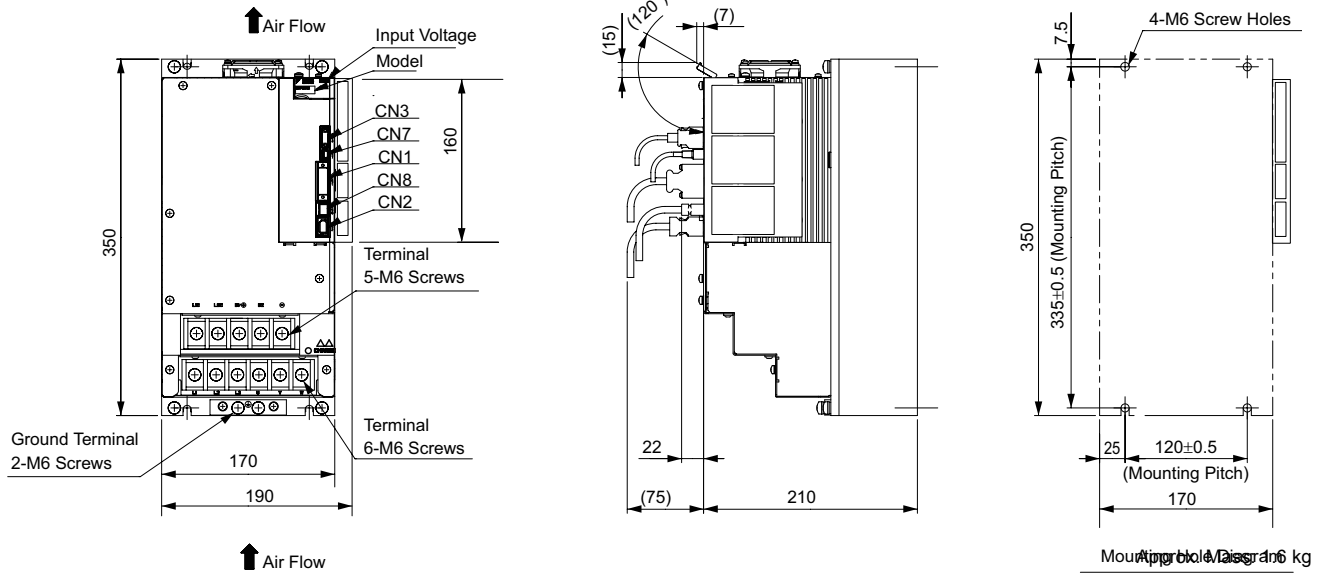


(8) Three-phase 200 VAC, Model: SGDV330AE□A000000□□□

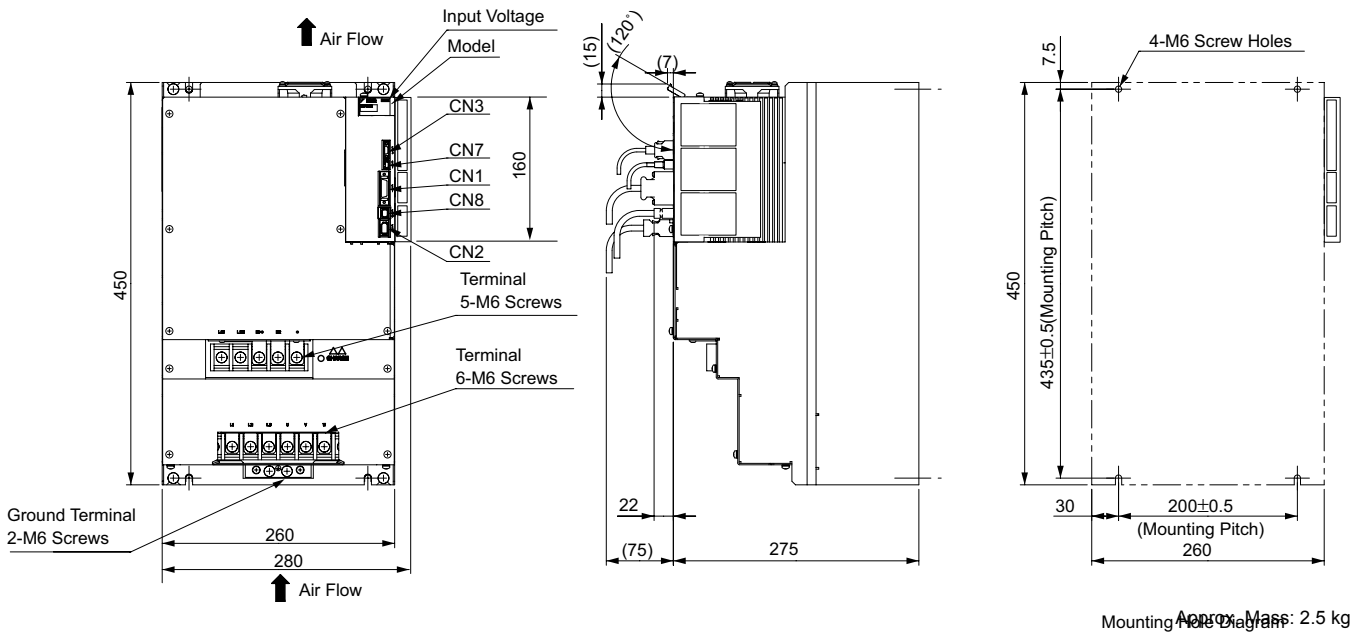


External Dimensions Units: mm (for Other Control Architecture Type SERVOPACKs)

(9) Three-phase 200 VAC, Model: SGDV470AE□A00000□□□, SGDV550AE□A00000□□□

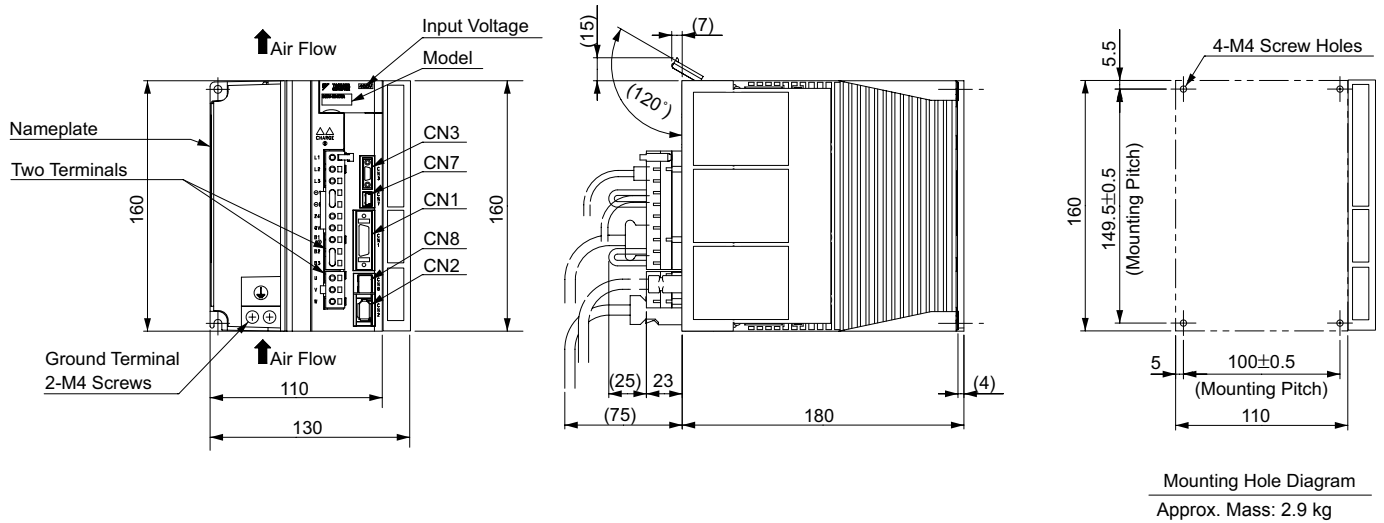


(10) Three-phase 200 VAC, Model: SGDV590AE□A00000□□□, SGDV780AE□A00000□□□

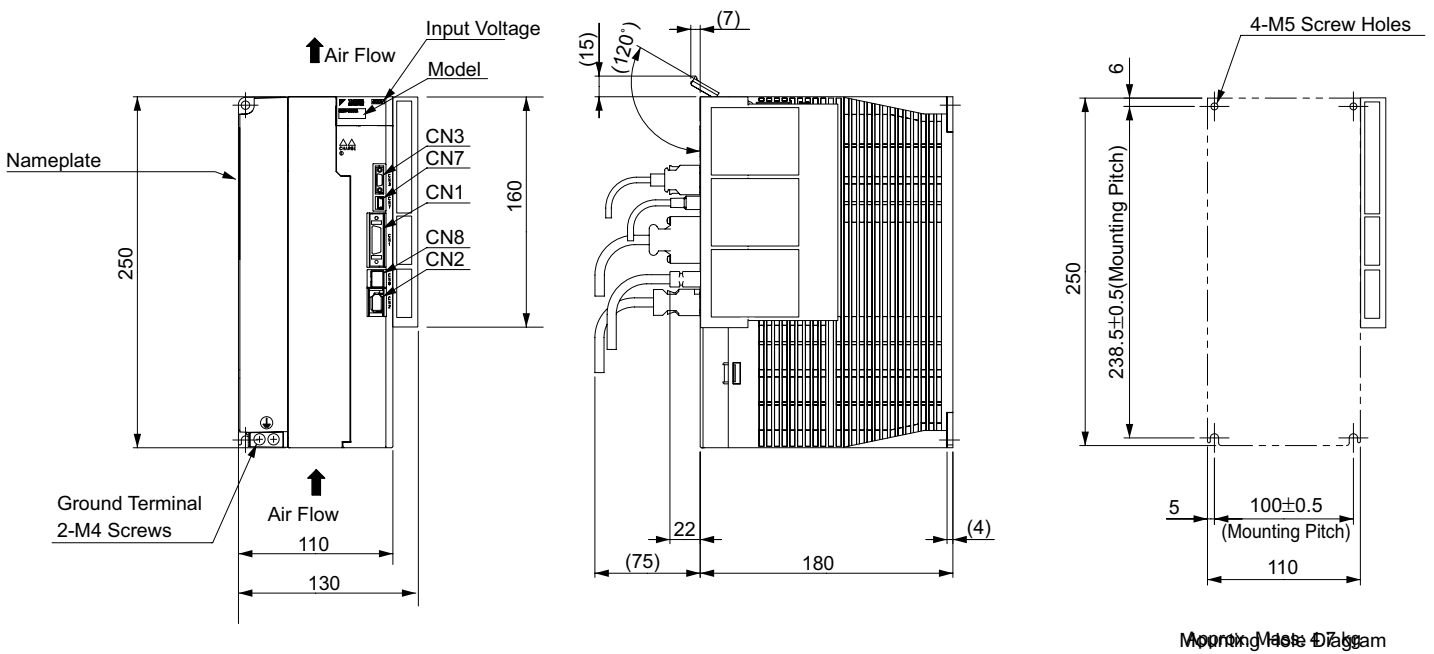


External Dimensions Units: mm (for Other Control Architecture Type SERVOPACKs)

(11) Three-phase 400 VAC, Model: SGD V1R9DE□A000000□□, 3R5DE□A000000□□□, and 5R4DE□A000000□□□

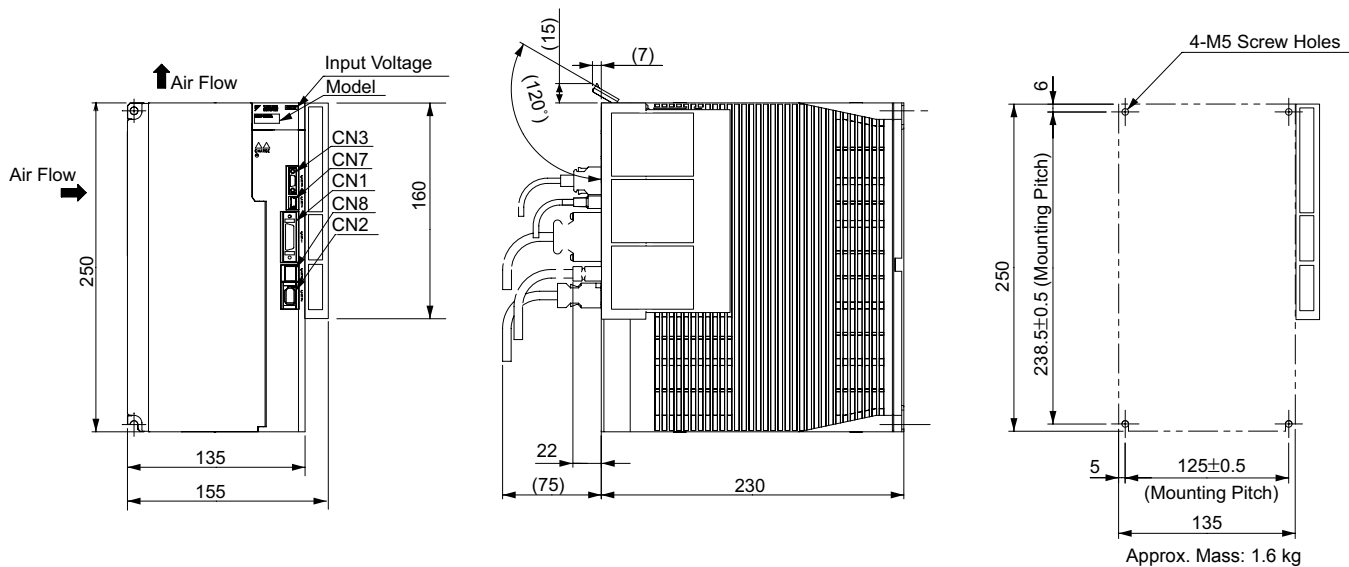


(12) Three-phase 400 VAC, Model: SGD V8R4DE□A000000□□□ and 120DE□A000000□□□□,

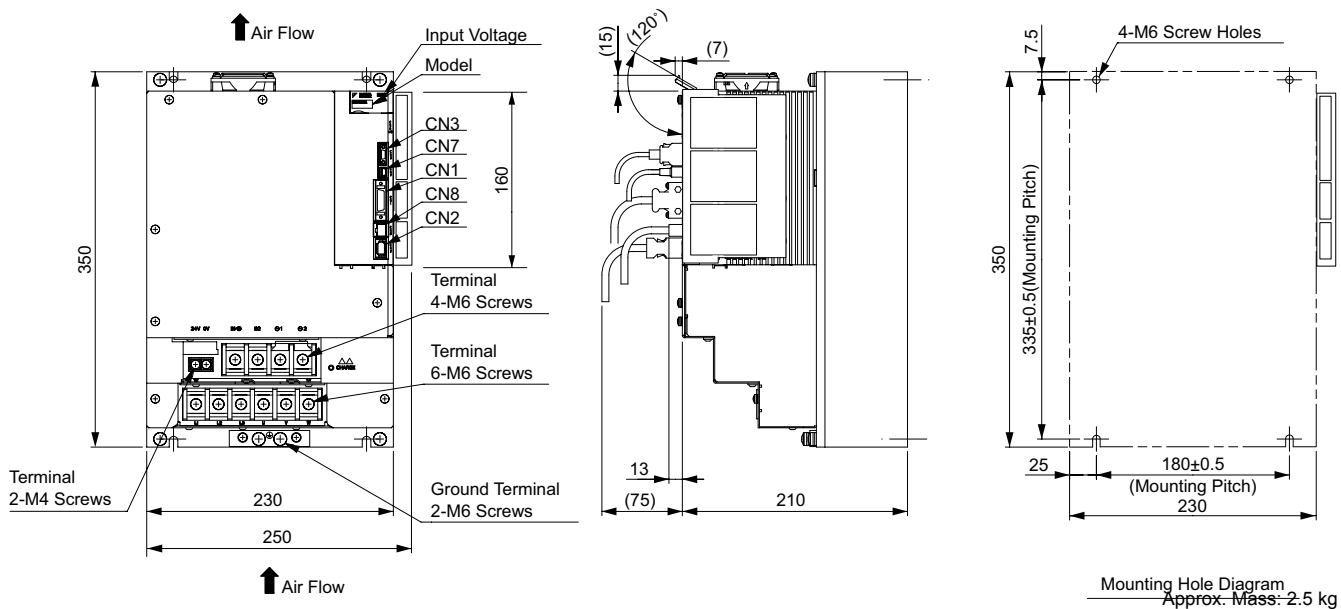


External Dimensions Units: mm (for Other Control Architecture Type SERVOPACKs)

(13) Three-phase 400 VAC, Model: SGDV170DE□A00000□□□

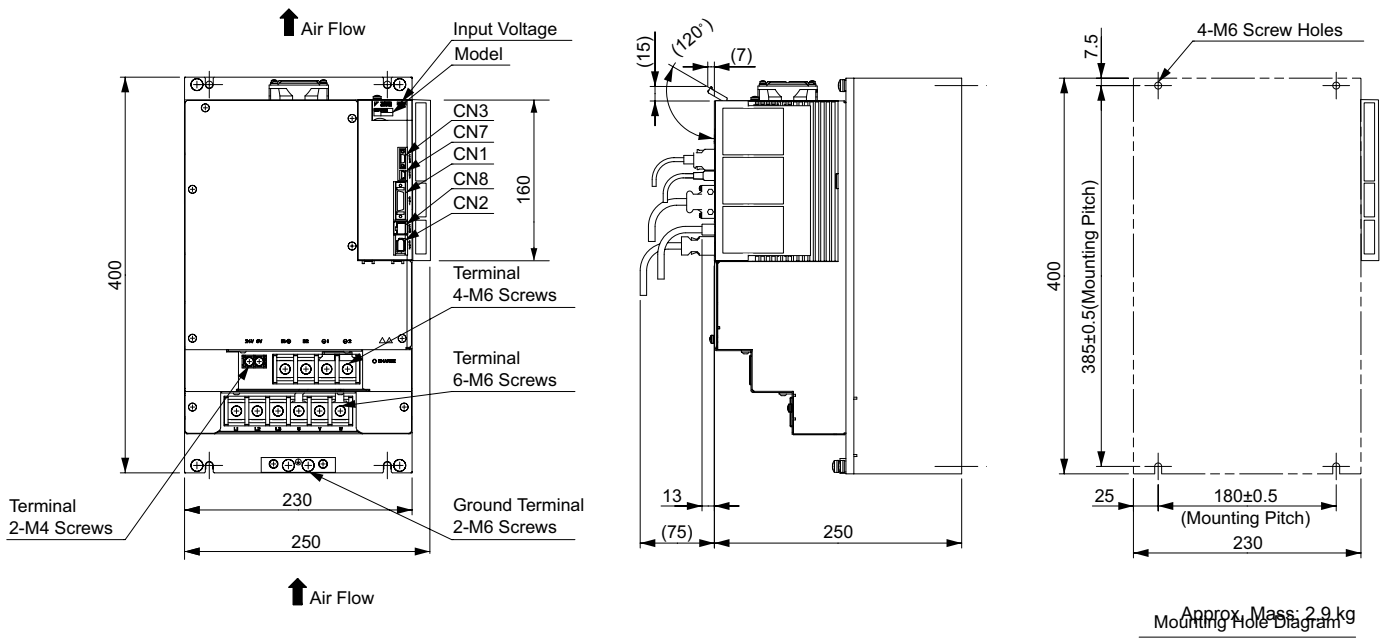


(14) Three-phase 400 VAC, Model: SGDV210DE□A00000□□□ and 260DE□A00000□□□



External Dimensions Units: mm (for Other Control Architecture Type SERVOPACKs)

(15) Three-phase 400 VAC, Model: SGDV280DE□□A000000□□□□ and 370DE□□A000000□□□□



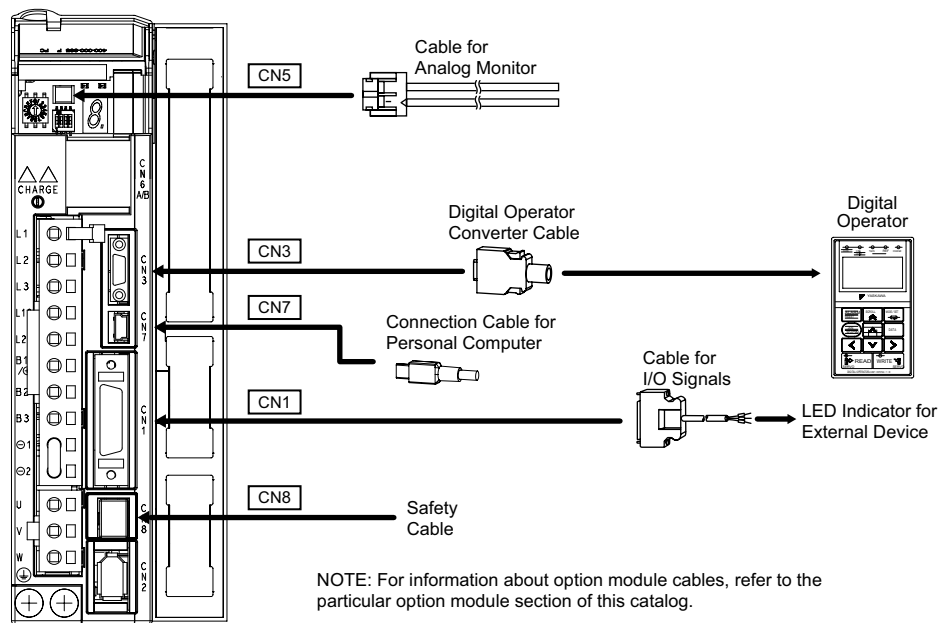
Connectors for Base-mounted SERVOPACKs

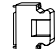

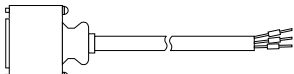

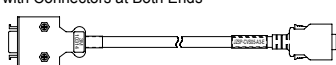

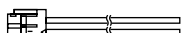
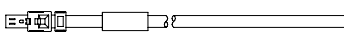
Port	Model	Pin	Manufacturer
CN1	10226-52A2PL	26	Sumitomo 3M Ltd.
CN2	53984-0671	6	Molex Japan Co., Ltd.
CN3	HDR-EC14LFDTN-SLE-PLUS	14	Honda Tsushin Kogyo Co., Ltd.
CN7	MNC23-5K5H00	5	ADVANCED-CONNECTEK INC.
CN8	1981080-1	8	Tyco Electronics AMP K.K.

Note: The connectors above or their equivalents are used for SERVOPACKs.

## Selecting Cables

- Cables for **CN1** **CN3** **CN5** **CN7** **CN8** **CN11** for SERVOPACKs with additional options



Name	Length	Order No.	Specifications	Details	
<b>CN1</b> Cables for I/O Signals	Connector Kit		JZSP-CSI9-2-E	Soldered 	(1)
	Connector Terminal Converter Unit	0.5 m	SBK-U-VBA-A5	Terminal Block and 0.5 m Connection Cable 	(2)
		1 m	SBK-U-VBA-01		
		3 m	SBK-U-VBA-03		
	Cable with Loose wire at One End	1 m	JZSP-CSI02-1-E		(3)
		2 m	JZSP-CSI02-2-E		
3 m		JZSP-CSI02-3-E			
<b>CN3</b>	Digital Operator		JUSP-OP05A-1-E	With Connection Cable (1 m) 	(4)
	Digital Operator Converter Cable <sup>*1</sup>	0.3 m	JZSP-CVS05-A3-E	Cable with Connectors at Both Ends 	(5)
<b>CN7</b> Connection Cables for Personal Computer	2.5 m	JZSP-CVS06-02-E	Cable with Connectors at Both Ends 	(6)	
<b>CN5</b> Cables for Analog Monitor	1 m	JZSP-CA01-E	SERVOPACK End 	(7)	
<b>CN8</b> Cables for Safety Functions	Cables with Connector <sup>*2</sup>	3 m	JZSP-CVH03-03-E		(8)
	Connector kit <sup>*3</sup>		Contact Tyco Electronics AMP K.K. Product name : Industrial Mini I/O D-shape Type1 Plug Connector Kit Model : 2013595-1		

\*1 : A converter cable is required to use  $\Sigma$ -III series digital operators (model: JUSP-OP05A) for  $\Sigma$ -V series SERVOPACKs.

\*2 : When using the safety function, connect this cable to the safety devices.

Even when not using the safety function, use SERVOPACKs with the Safe Jumper Connector (model: JZSP-CVH05-E) connected.

\*3 : Use the connector kit when you make cables yourself.

## Selecting Cables

### (1) Connector Kit for CN1

Use the following connector and cable to assemble the cable. The CN1 connector kit includes one case and one connector.

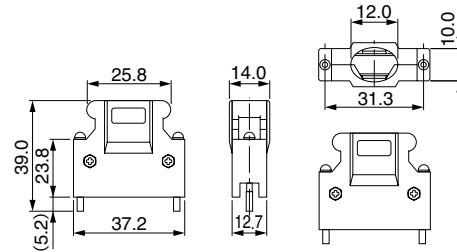
Connector Kit Model	Case		Connector	
	Model	Qty	Model	Qty
JZSP-CSI9-2-E	10326-52A0-008*	1 set	10126-3000PE* (Soldered)	1

\* : Manufactured by Sumitomo 3M Ltd.

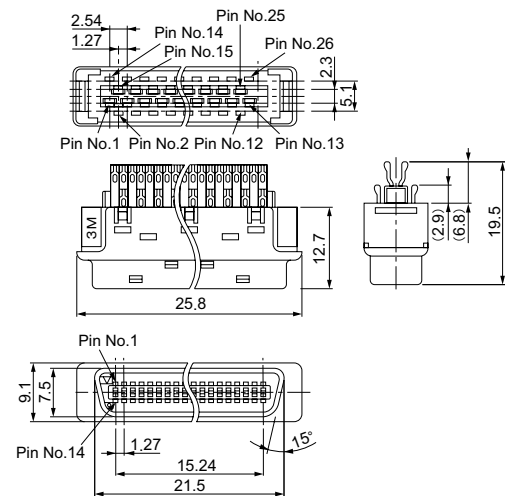
#### · Cable Size

Item	Specifications
Cable	Use twisted-pair or twisted-pair shielded wire.
Applicable Wires	AWG24, 26, 28, 30
Cable Finished Diameter	16 dia. max.

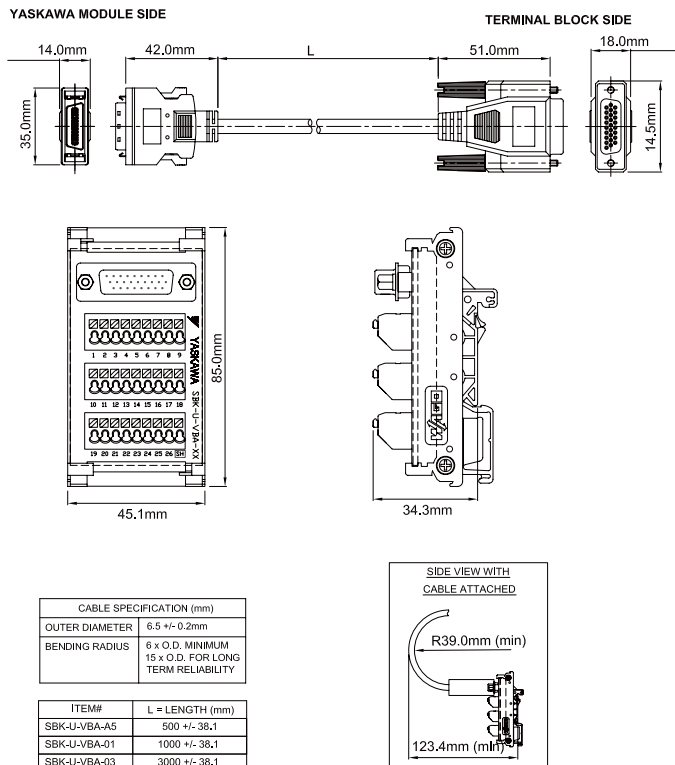
#### · Dimensional Drawings of Case



#### · Dimensional Drawings of Connector



### (2) Connector Terminal Converter Unit for CN1 (SBK-U-VBA-xx)



#### SBK-U-VBA-xx Function Chart for SGDV Servo Amplifier

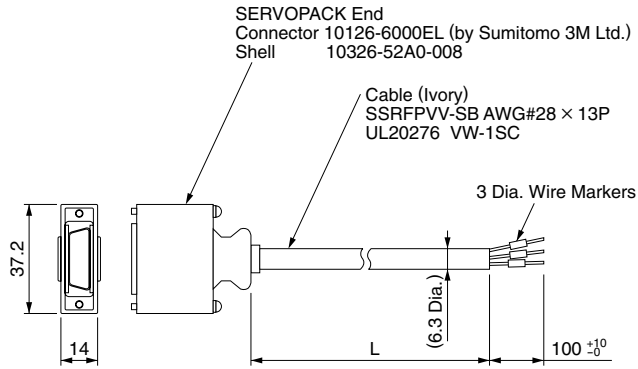
Pin No.	SGDV Mechatrolink-II type / SGDV Option type	
	Signal	Function
1	/BK+ (/SO1+)	Brake interlock output (+) (General purpose output 1 (+))
2	/BK- (/SO1-)	Brake interlock output (-) (General purpose output 1 (-))
3	ALM+	Servo alarm output (+)
4	ALM-	Servo alarm output (-)
5	-	-
6	+24VIN	Control power supply for sequence signal input
7	P-OT (/SI1)	Forward run prohibited input (General purpose input 1)
8	N-OT (/SI2)	Reverse run prohibited input (General purpose input 2)
9	/DEC (/SI3)	Zero-point return deceleration switch input (General purpose input 3)
10	/EXT1 (/SI4)	External latch signal 1 input (General purpose input 4)
11	/EXT2 (/SI5)	External latch signal 2 input (General purpose input 5)
12	/EXT3 (/SI6)	External latch signal 3 input (General purpose input 6)
13	/SI0	General purpose input 0
14	BAT (+)	Battery (+) input
15	BAT (-)	Battery (-) input
16	SG	Signal ground
17	PAO	Phase-A pulse output (+)
18	/PAO	Phase-A pulse output (-)
19	PBO	Phase-B pulse output (+)
20	/PBO	Phase-B pulse output (-)
21	PCO	Phase-C pulse output (+)
22	/PCO	Phase-C pulse output (-)
23	/SO2+	General purpose output 2 (+)
24	/SO2-	General purpose output 2 (-)
25	/SO3+	General purpose output 3 (+)
26	/SO3-	General purpose output 3 (-)

Note: General purpose input and output signals are shown with their default signals assigned - signal assignment may have been changed by parameter

# Selecting Cables

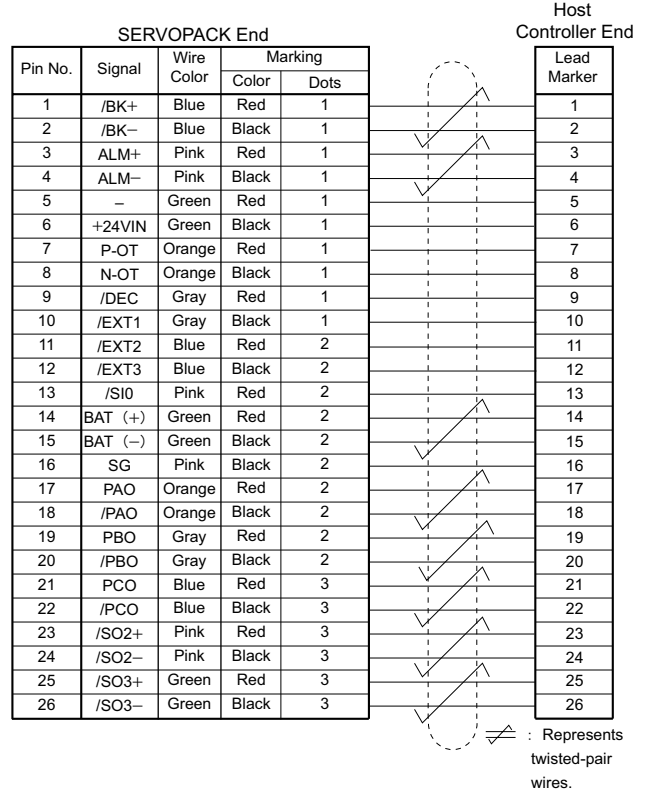
## Selecting Cables Units: mm

### (3) Cable with Loose Wires at One End for CN1 Dimensional Drawings of Cable

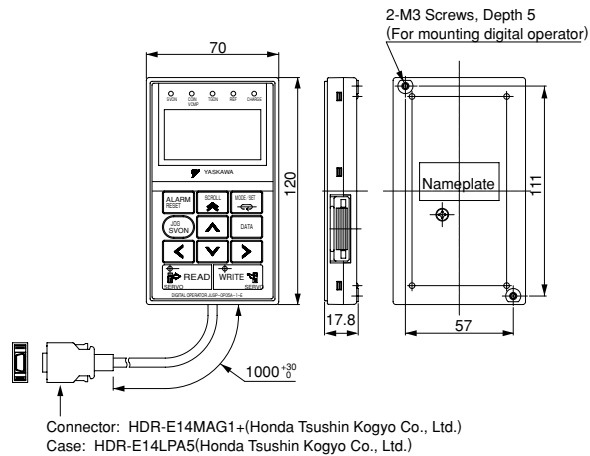


Model	Cable Length
JZSP-CSI02-1-E	1 m
JZSP-CSI02-2-E	2 m
JZSP-CSI02-3-E	3 m

### ● Cable with Loose Wires at One End for CN1 Connection Diagram of JZSP-CSI02-□-E Cable



### (4) Digital Operator (Model: JUSP-OP05A-1-E)

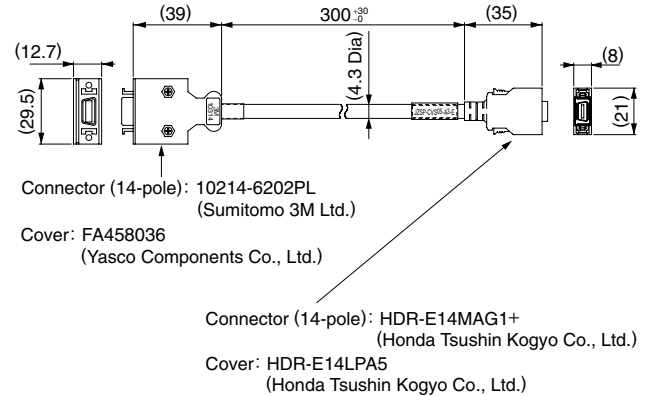


### (5) Digital Operator Converter Cable for CN3

(Model: JZSP-CVS05-A3-E)

A converter cable is required to use  $\Sigma$ -III series digital operators (model: JUSP-OP05A) for  $\Sigma$ -V series SERVOPACKS.

#### · Dimensional Drawings

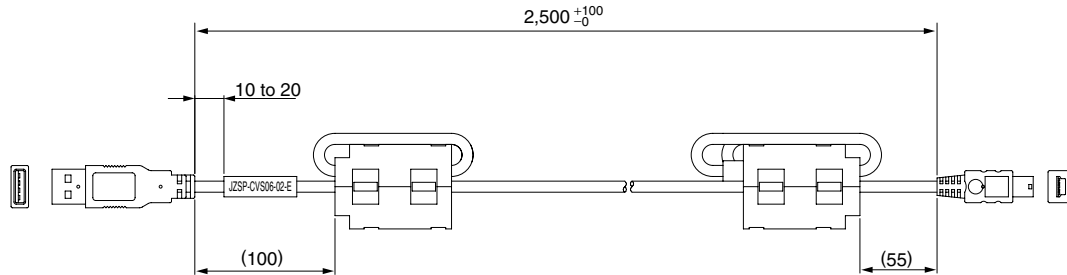




## Selecting Cables

### (6) Connection Cable for Personal Computer for CN7 (Model: JZSP-CVS06-02-E)

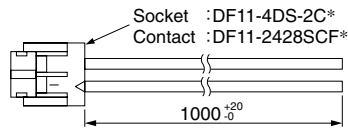
#### · Dimensional Drawings



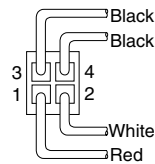
**IMPORTANT** Use a cable specified by Yaskawa.  
When using other cables, operation cannot be guaranteed.

### (7) Cable for Analog Monitor for CN5 (Model: JZSP-CA01-E)

#### · Dimensional Drawings



\* : Manufactured by Hirose Electric Corporation.



View from Cable End

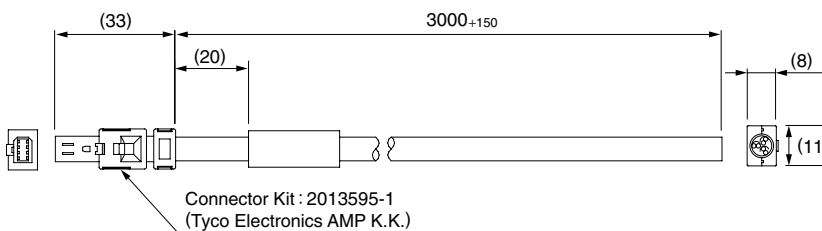
#### · Specifications

Pin No.	Cable Color	Signal	Standard Settings
1	Red	Analog Monitor 2	Motor speed : 1V/1000 min <sup>-1</sup>
2	White	Analog Monitor 1	Torque reference : 1V/100% rated torque
3, 4	Black (2 cables)	GND(0V)	-

Note : The specifications above are factory settings. Monitor specifications can be changed by changing parameters Pn006 and Pn007.

### (8) Cable with Connector for CN8 (Model: JZSP-CVH03-03-E)

#### · Dimensional Drawings



#### · Specifications

Pin No.	Signal	Lead Color	Marking Color
1	Not used	-	-
2	Not used	-	-
3	/HWBB1-	White	Black
4	/HWBB1+	White	Red
5	/HWBB2-	Gray	Black
6	/HWBB2+	Gray	Red
7	EDM1-	Orange	Black
8	EDM1+	Orange	Red

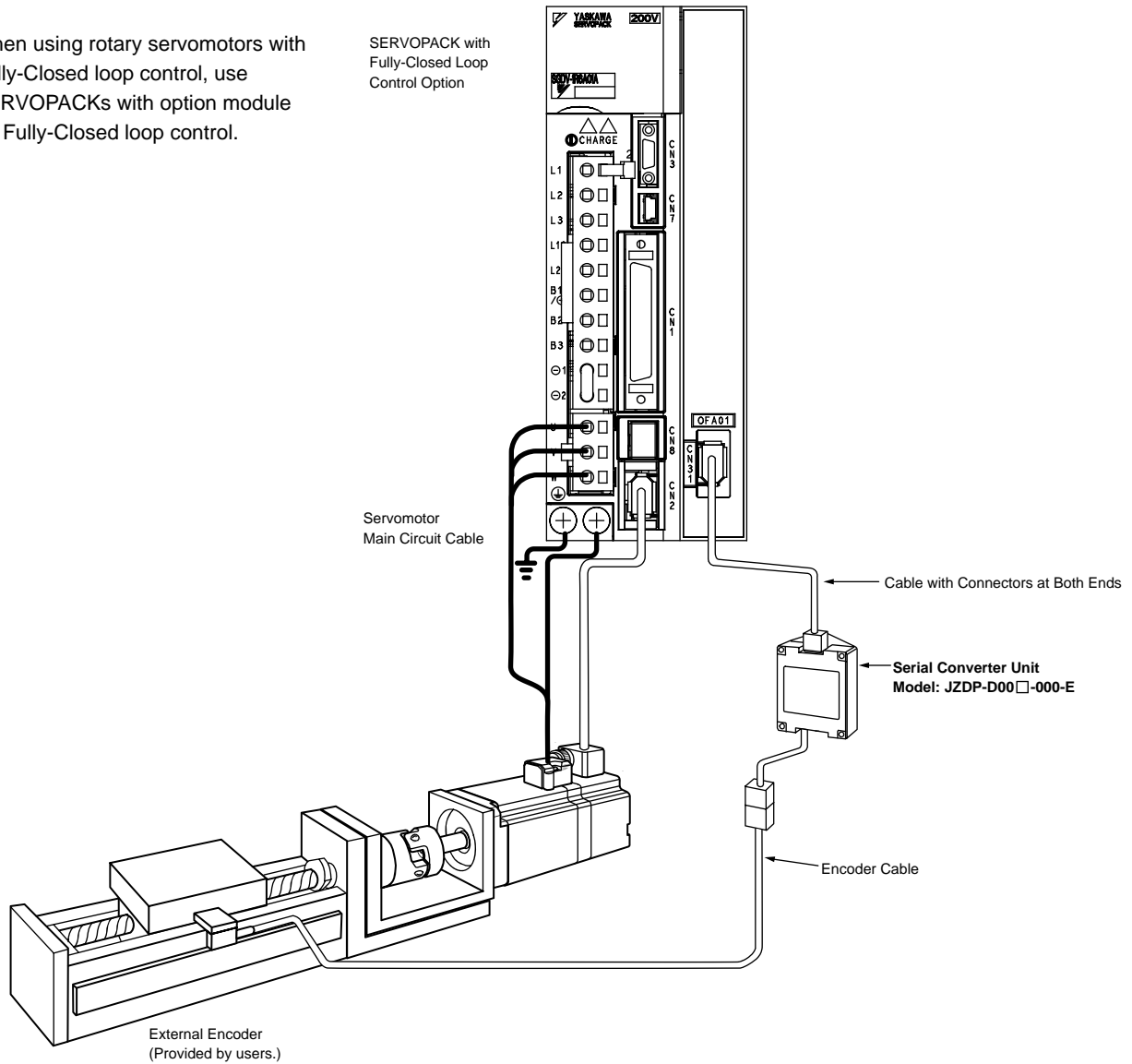


# Fully-Closed Loop Control Option

## ● System Configuration for Fully-Closed Loop Control

When using rotary servomotors with Fully-Closed loop control, use SERVOPACKs with option module for Fully-Closed loop control.

SERVOPACK with Fully-Closed Loop Control Option



## ● Model Designations

JZDP - D00□ - 000 - E

Serial Converter Unit Model

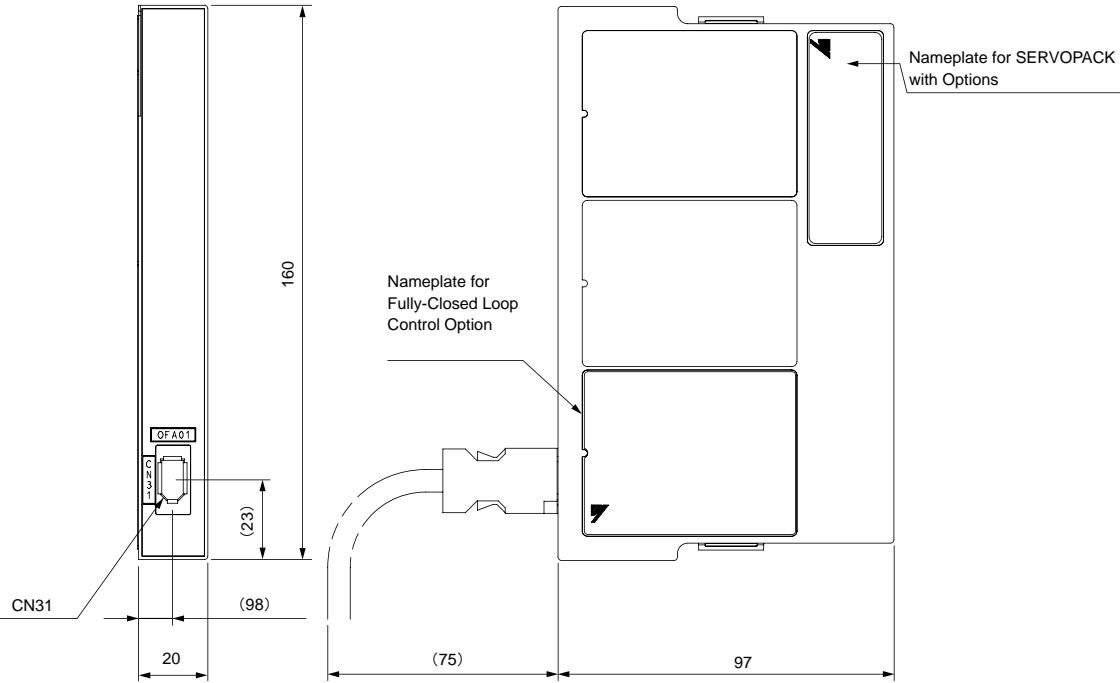
Code	Appearance	Applicable External Encoder	Hall Sensor
D003		Manufactured by HEIDENHAIN Corporation	None
D005		Manufactured by Renishaw plc.	None

Heidenhain serial converters are non-stock.

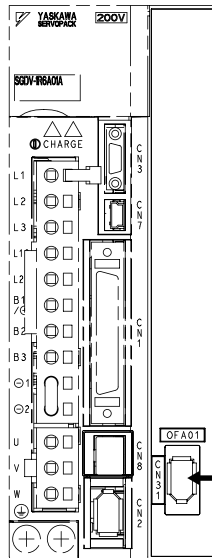
Note: Using the serial converter unit JZDP-A□□□ with SGDV SERVOPACK will void our guarantee.

Option Module for Fully-Closed Loop Control

● External Dimensions Units: mm



Approx. Mass: 0.1 kg



Connector

Port	Model	Pin	Manufacturer
CN31	53984-0671	6	Molex Japan Co., Ltd.

Note: The connectors above or their equivalents are used for SERVOPACKs.

Connection Cable Between Fully Closed Loop Connector and Serial Converter Unit (see page 314).

Front View (mounted on analog and pulse train type SERVOPACK)

# Serial Converter Units

## ● Characteristics and Specifications

Items	Specifications	
Electrical Characteristics	Power Supply Voltage	+5.0 V $\pm$ 5%, ripple content 5% max.
	Current Consumption <sup>*1</sup>	120 mA typ. 350 mA max.
	Signal Resolution	Input two-phase sine wave: 1/256 pitch
	Max. Response Frequency	250 kHz
	Analog Input Signals <sup>*2</sup> (cos, sin, Ref)	Differential input amplitude: 0.4 to 1.2 V Input signal level: 1.5 to 3.5 V
	Output Signal <sup>*3</sup>	Position data, alarms
	Output Method	Serial data communications [HDLC (High-level Data Link Control) protocol format with Manchester codes]
	Output Circuit	Balanced type transceiver (SN75LBC176 or the equivalent), internal terminating resistor: 120 $\Omega$
Mechanical Characteristics	Approx. Mass	150 g
	Vibration Resistance	98 m/s <sup>2</sup> max. (10 to 2500 Hz) in three directions
	Impact Resistance	980 m/s <sup>2</sup> , (11 ms) two times in three directions
Environmental Conditions	Surrounding Air Temperature	0 to 55°C
	Storage Temperature	-20 to 80°C
	Humidity	20% to 90%RH (no condensation)

\*1: The current consumption of the external encoder is not included in this value.

The current consumption of the external encoder must be taken into consideration for the current capacity of host controller that supplies the power.

\*2: Input a value within the specified range. Otherwise, incorrect position information is output, and the device may be damaged.

\*3: The transmission is enabled 100 to 300 ms after the power turns on.

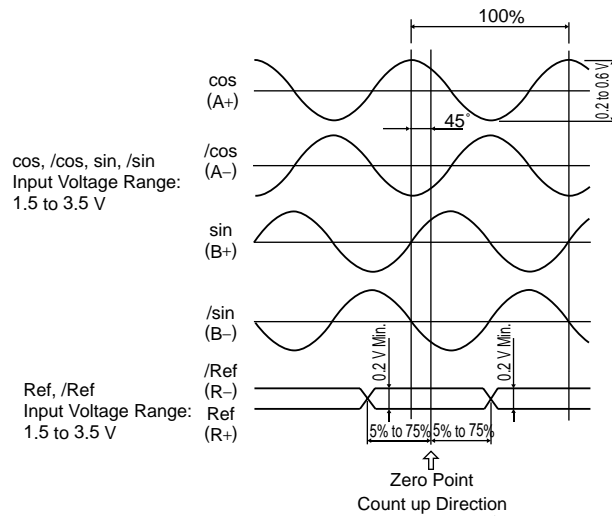
## ● Analog Signal Input Timing

The following figure shows the input timing of the analog signals.

When the cos and sin signals are shifted 180 degrees, the differential signals are the /cos and /sin signals.

The specifications of the cos, /cos, sin, and /sin signals are identical except for the phase.

Input the signals Ref and /Ref so that they shall cross each other as shown in the figure because they are input into the converter. When they are crossed, the output data will be counted up.



### IMPORTANT

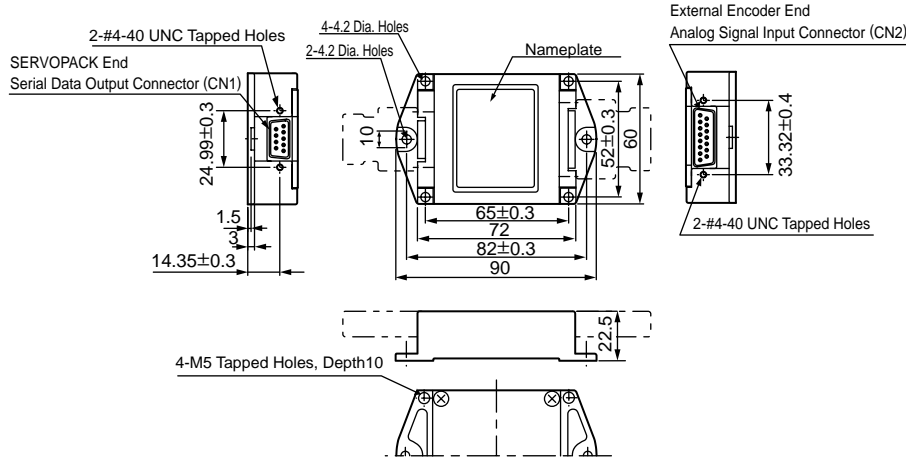
#### ■ Precautions

- 1 Never perform insulation resistance and withstand voltage tests.
- 2 When analog signals are input to the serial converter unit, noise influence on the analog signals affects the unit's ability to output correct position information. The analog cable must be as short as possible and shielded.
- 3 Do not connect or disconnect the unit while power is being supplied, or the unit may be damaged.
- 4 When using multiple axes, use a shield cable for each axis. Do not use a shield cable for multiple axes.

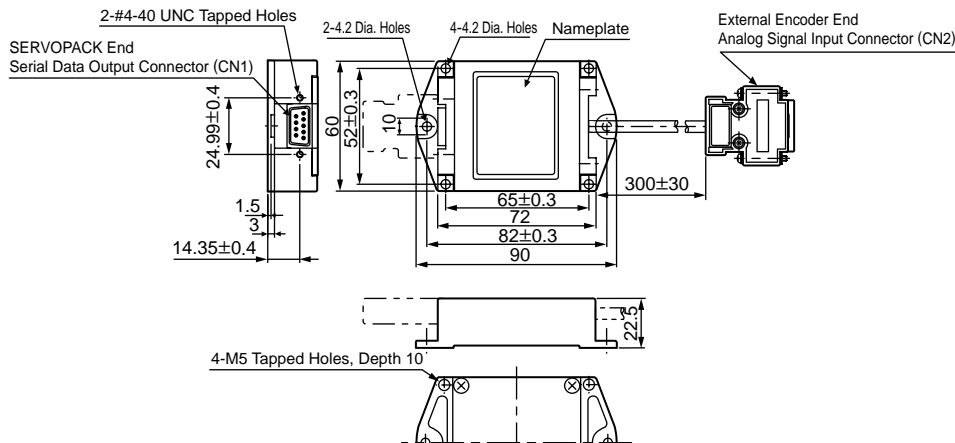
**Serial Converter Units** Units: mm

● External Dimensions

(1) Model: JZDP-D003-□□□-E



(2) Model: JZDP-D005-□□□-E

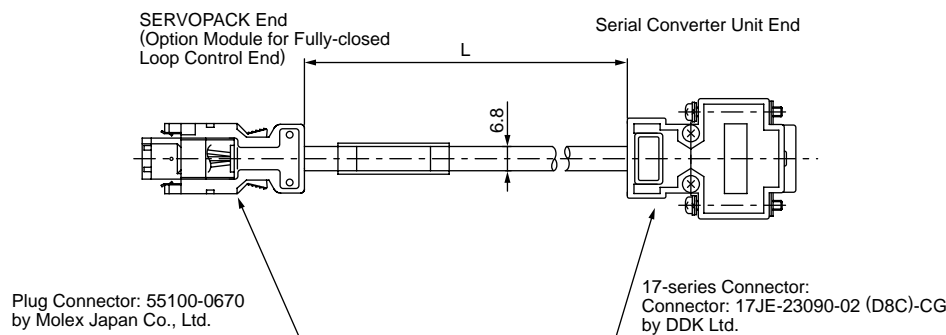


● Connection Cables

● Recommended Cables

Name	Application	Model	Length
Cables with Connectors at Both Ends	Connection between SERVOPACK (Option module for Fully-Closed loop control ) connector CN31 and serial converter unit	JZSP-CLP70-03-E	3 m
		JZSP-CLP70-05-E	5 m
		JZSP-CLP70-10-E	10 m
		JZSP-CLP70-15-E	15 m
		JZSP-CLP70-20-E	20 m

● Dimensional Drawing

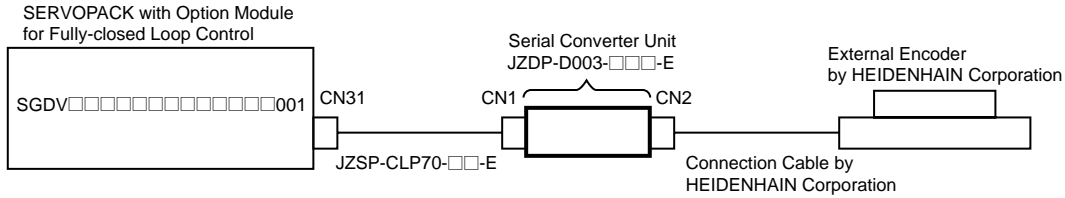


# Serial Converter Units

## ● Connection Examples

### (1) Connection Example with External Encoder by HEIDENHAIN Corporation

Model: JZDP-D003-□□□-E



Pin No.	Signal
1	+5V
2	Phase S output
3	Not used
4	Not used
5	0V
6	Phase /S output
7	Not used
8	Not used
9	Not used
Case	Shield

**CN1**  
SERVOPACK End  
Serial Data Output

17-series Connector:  
17LE-13090-27-FA  
(Socket) by DDK Ltd.

Pin No.	Signal
1	cos input (A+)
2	0V
3	sin input (B+)
4	+5V
5	Not used
6	Not used
7	/Ref input (R-)
8	Not used
9	/cos input (A-)
10	0V sensor
11	/sin input (B-)
12	5V sensor
13	Not used
14	Ref input (R+)
15	Not used
Case	Shield

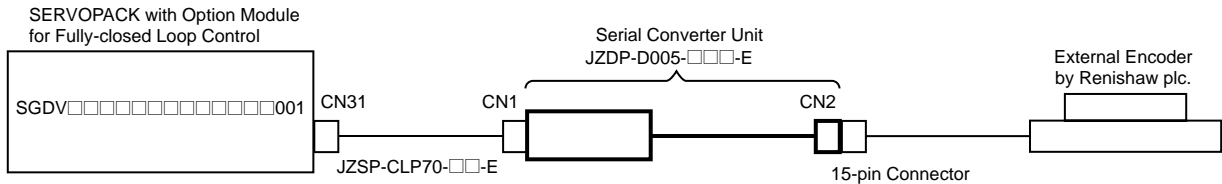
**CN2**  
External Encoder End  
Analog Signal Input

17-series Connector:  
17LE-13150-27-FA  
(Socket) by DDK Ltd.

Notes: 1 Do not use the unused pins.  
2 The external encoder (analog 1 Vp-p output, D-sub 15-pin) by HEIDENHAIN Corporation can be directly connected.

### (2) Connection Example with External Encoder by Renishaw plc.

Model : JZDP-D005-□□□-E



Pin No.	Signal
1	+5V
2	Phase S output
3	Not used
4	Not used
5	0V
6	Phase /S output
7	Not used
8	Not used
9	Not used
Case	Shield

**CN1**  
SERVOPACK End  
Serial Data Output

17-series Connector:  
17LE-13090-27-FA  
(Socket) by DDK Ltd.

Pin No.	Signal
1	/cos input (V1-)
2	/sin input (V2-)
3	Ref input (V0+)
4	+5V
5	5Vs
6	Not used
7	Not used
8	Not used
9	cos input (V1+)
10	sin input (V2+)
11	/Ref input (V0-)
12	0V
13	0Vs
14	Not used
15	Inner (0V)
Case	Shield

**CN2**  
External Encoder End  
Analog Signal Input

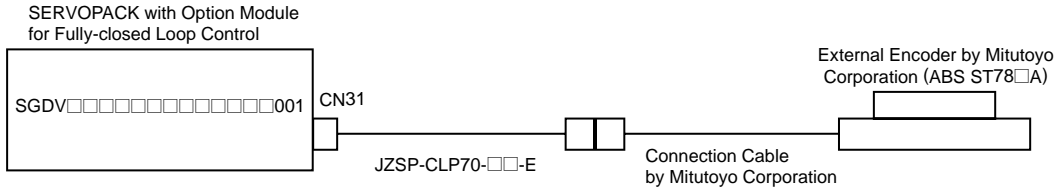
17-series Connector:  
17JE-13150-02 (D8C) A-CG  
(Socket) by DDK Ltd.

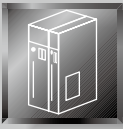
SERVOPACK does not have the function to process Vq signals.

Notes: 1 Do not use the unused pins.  
2 The external encoder (analog 1 Vp-p output, D-sub 15-pin) by Renishaw plc. can be directly connected. However, the BID and DIR signals are not connected.  
3 Use the external encoder-end connector to change the home position specifications of the external encoder.

Serial Converter Units

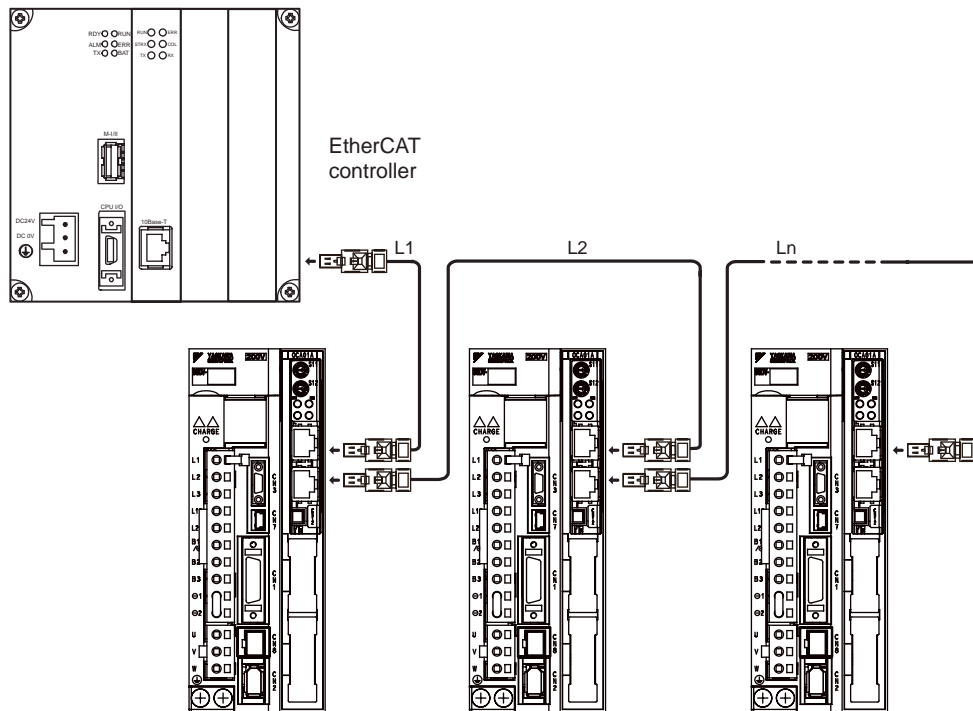
(3) Connection Example with External Encoder by Mitutoyo Corporation (Model: ABS ST78□A)  
When using these external encoders, serial converter units are not required.





# EtherCAT(CoE) Communication Reference Option

## ● System Configuration for EtherCAT (CoE) Communication Reference



## EtherCAT Connector (RJ45)

Connector	Description
CN11A	EtherCAT signal input
CN11B	EtherCAT signal output

### • Connector Pin Arrangement

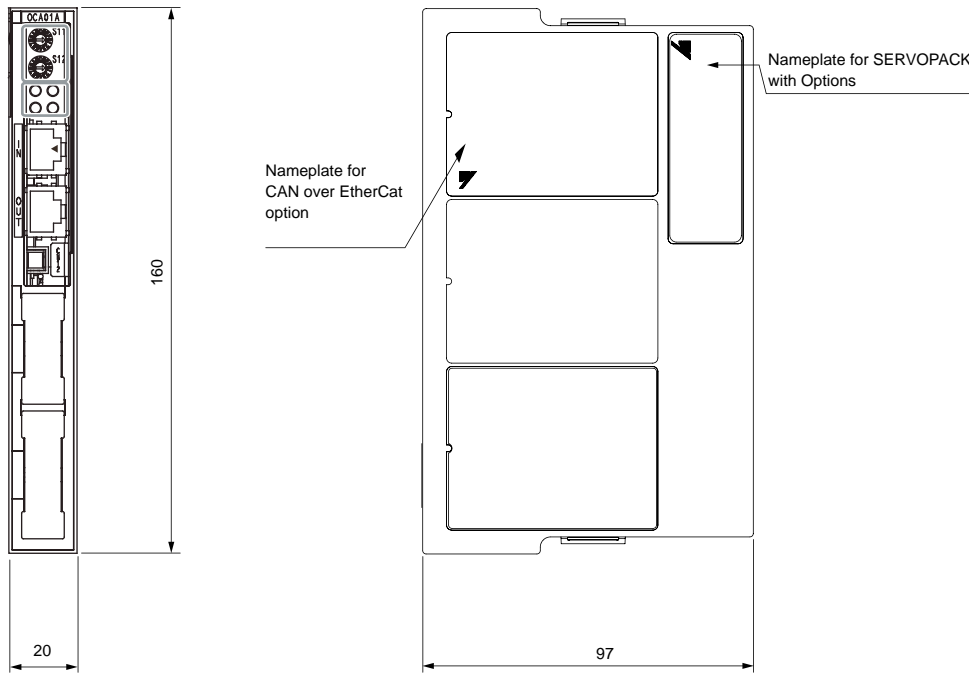
Pin No.	Signal Name	Remarks
1	TD+	Send data
2	TD-	
3	RD+	Receive data
4	—	N.C.*
5	—	N.C.*
6	RD-	Receive data
7	—	N.C.*
8	—	N.C.*

\* Pins denoted as N.C. do not connect to any signal.

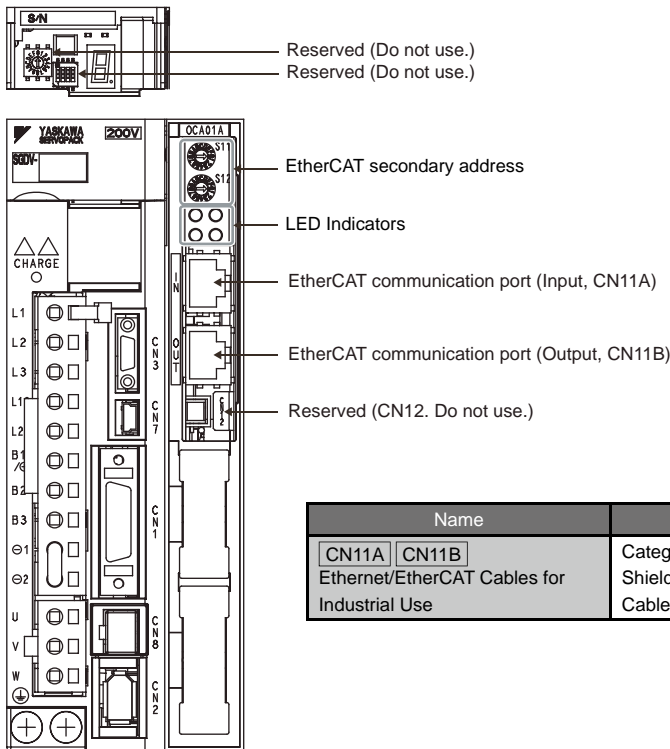


**EtherCAT (CoE) Communication Reference Option**

● External Dimensions Units: mm



Approx. Mass: 0.1 kg



Front View: With front cover open

Name	Specifications
CN11A CN11B Ethernet/EtherCAT Cables for Industrial Use	Category: CAT5e Shield specifications: S/UTP or S/STP Cable length: 50 m maximum

## Specifications of the EtherCAT(CoE) Communication Reference Option

### ● Specifications

Items		Specifications
Power Specification	Power Supply Method	Supplied from the control power supply of the servo amplifier
Operating Conditions	Surrounding Air/Storage Temperature	Surrounding air temperature: 0 to 55°C, Storage temperature: -20 to 85°C
	Ambient/Storage Humidity	90% RH or less (with no condensation)
	Vibration/Shock Resistance	Vibration resistance: 4.9 m/s <sup>2</sup> , Shock resistance: 19.6 m/s <sup>2</sup>
	Protection Class/ Pollution Degree	Protection class: IP10, pollution degree: 2 Do not use SERVOPACKs in the following locations: <ul style="list-style-type: none"> <li>• Locations subject to corrosive or flammable gases</li> <li>• Locations subject to exposure to water, oil, or chemicals</li> <li>• Locations subject to dust, including iron dust, and salts</li> </ul>
	Altitude	1000 m or less
	Others	Do not use SERVOPACKs in the following locations: <ul style="list-style-type: none"> <li>• Locations subject to static electricity noise, strong electromagnetic/magnetic fields, radioactivity</li> </ul>
Conformance Standards		UL508C EN50178, EN55011/A2 Group1 Class A, EN61000-6-2 EN61800-3, EN61800-5-1, EN954-1, IEC61508-1 ~ 4
RoHS Directive		Compliant
Baud Rate		100Mbps
Max. No. of Stations		65536 stations
Transmission Cycle		125 μs or more
Cable Length between Nodes		50 m max
Topology		Cascade, star, ring, line
Connector		RJ-45
Profile		CANopen(CoE) IEC61800-7 CiA402 Drive Profile
Control Mode		<ul style="list-style-type: none"> <li>• Homing mode</li> <li>• Profile position mode</li> <li>• Interpolated position mode</li> <li>• Profile velocity mode</li> <li>• Profile Torque mode</li> <li>• Cyclic sync position mode</li> <li>• Cyclic sync velocity mode</li> <li>• Cyclic sync torque mode</li> </ul>
SERVOPACK Performance and Functions		Response frequency: 1.6 kHz Various adjustment functions are available.
Display		EtherCAT RUN indicator (RUN) × 1 EtherCAT ERR indicator (ERR) × 1 EtherCAT Link/Activity indicator × 2
Rotary Switch		Secondary Address : × 2

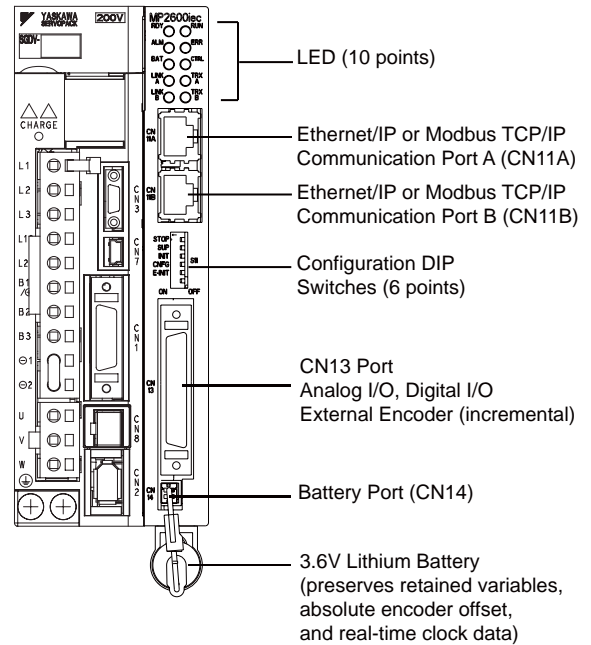




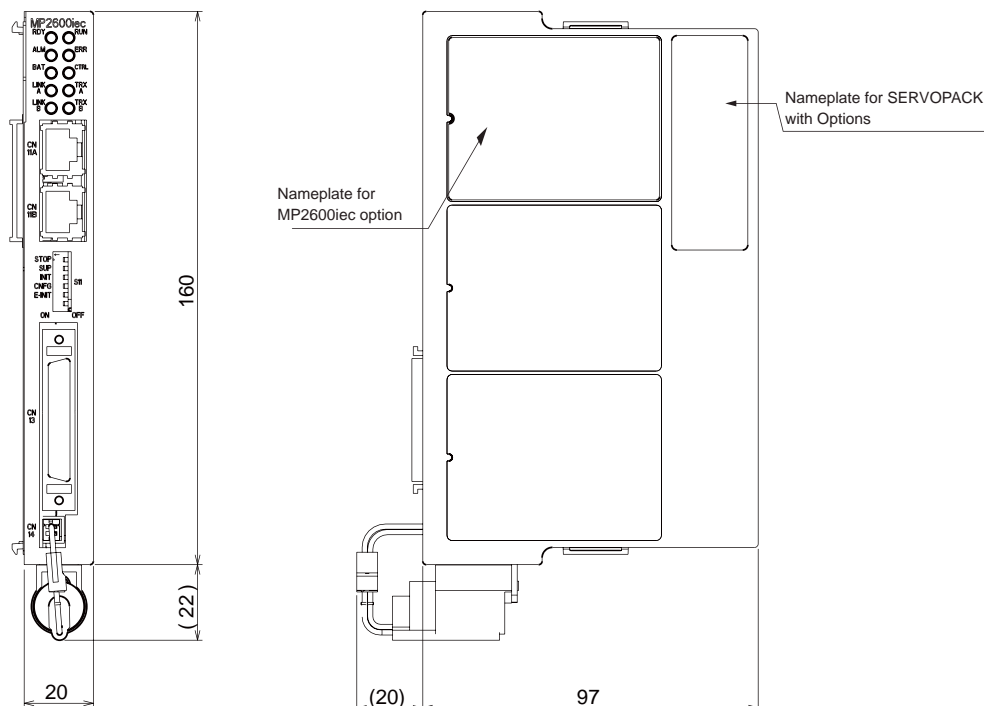
# MP2600iec Single-Axis Motion Controller Option

The MP2600iec Single Axis Motion Controller Option for the Sigma-5 amplifier provides a compact, all-in-one, servo/controller package with the following features:

- IEC61131-3 standardized programming environment with PLCopen function blocks for motion control.
- Self-tuning, anti-vibration, and other high performance, easy-to-implement servo control features
- Ethernet/IP, Modbus TCP/IP, and OPC Server, which provide connectivity to PLCs, HMIs, SCADA, MES, and ERP
- Scalability with the multi-axis MP2000iec controller platform via the common programming environment, MotionWorks IEC
- Web server that allows for maintenance diagnostics and troubleshooting
- I/O features:
  - 15 digital inputs
  - 11 digital outputs
  - 1 analog input
  - 1 analog output
  - 1 external encoder input
  - 1 external encoder latch



## ● External Dimensions Units: mm



Dimensions in mm.

## Specifications of the MP2600iec Single Axis Machine Controller Option

### ● General Specifications

Items		Specifications
Environmental Conditions	Ambient Operating Temperature	0 to 55°C
	Ambient Storage Temperature	-20°C to +85°C
	Ambient Operating Humidity	90% RH or less (with no condensation)
	Ambient Storage Humidity	90% RH or less (with no condensation)
	Protection Class/Pollution Degree	Protection class: IP10, Pollution degree: 2 An environment that satisfies the following conditions. <ul style="list-style-type: none"> <li>• Free of corrosive or explosive gases</li> <li>• Free of exposure to water, oil or chemicals</li> <li>• Free of dust, salts or iron dust</li> </ul>
	Operating Altitude	1,000 m above sea level or lower
Mechanical Operating Conditions	Vibration Resistance	4.9 m/s <sup>2</sup>
	Shock Resistance	19.6 m/s <sup>2</sup>
	Others	Free of static electricity, strong electromagnetic fields, magnetic fields or exposure to radioactivity



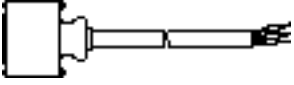
### ● Hardware Specifications

Items		Specifications		
CPU		200 MHz, 32 bit, ARM 9		
Memory	SDRAM		32 MB	
	SRAM		512 kB with battery backup	
	Flash		4 MB flash. Code and parameter storage	
Operator interface		LED		
		User Configuration		
		Network		
User I/O	Controller Side (CN13)	Digital input		
		Digital output		
		Analog input		
	Servo Side (CN1)	Analog output		
		Pulse Counter		
		Sequence Input	Allocated	Number of Inputs: 7 Functions: The signal allocation and positive/negative logic can be modified. Forward run prohibited (P-OT), reverse run prohibited (N-OT), forward torque limit (/P-CL), reverse torque limit (/N-CL), general-purpose input signal (/SI0 to /SI6)
			Fixed	Servo Alarm (ALM)
Sequence Input	Allocated	Number of Outputs: 3 Functions: The signal allocation and positive/negative logic can be modified. Positioning completion (/COIN), speed coincidence detection (/V-CMP), servomotor rotation detection (/TGON), servo ready (/S-RDY), torque limit detection (/CLT), speed limit detection (VLT), brake (/BK), warning (/WARN), near (/NEAR)		
Network capability		OPC (Client and Server required)		
		Ethernet/IP		
		Modbus/TCP		
Programming standards		IEC61131/PLCopen		
Diagnostic and configuration interface		Web interface		
Motion control performance		1 controlled axis and one external position input at a trajectory update rate of 1 kHz		
Servo-Side Safety Functions	Input	/HWBB1, /HWBB2: Baseblock signal for power module		
	Output	EDM1: Status monitor (fixed output) of built-in safety circuit		

\* Allocated I/O can also be used as programmable I/O.

# Selecting Cables

## ● Cable Selection

Name	Length	Order No.	Specifications	Details	
<b>CN13</b> Cables for I/O Signals	Connector Kit		JZSP-CSI9-1-E	Soldered 	(1)
	Connector Terminal Converter Unit	0.5 m	CBK-U-MP2B-A5	Terminal Block and 0.5 m Connection Cable 	(2)
		1 m	CBK-U-MP2B-01		
		3 m	CBK-U-MP2B-03		
	Flying Lead Cable	0.5 m	CFC-U-MP2B-A5		(3)
		1 m	CFC-U-MP2B-01		
3 m		CFC-U-MP2B-03			
<b>CN11A</b> <b>CN11B</b> Ethernet/EtherCAT Cables for Industrial Use		Category: CAT5e Shield specifications: S/UTP or S/STP Cable length: 50 m maximum			

### (1) Connector Kit for CN13

Use the following connector and cable to assemble the cable. The CN13 connector kit includes one case and one connector.

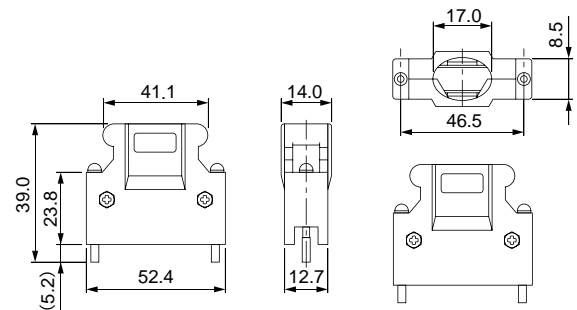
Connector Kit Model	Case		Connector	
	Model	Qty	Model	Qty
JZSP-CSI9-1-E	10350-52Z0-008*	1 set	10150-3000PE* (Soldered)	1

\* : Manufactured by Sumitomo 3M Ltd.

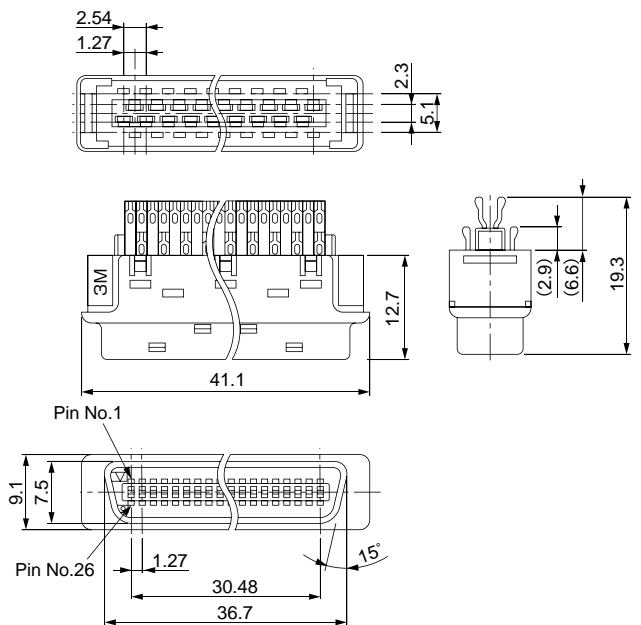
### · Cable Size

Item	Specifications
Cable	Use twisted-pair or twisted-pair shielded wire.
Applicable Wires	AWG 24, 26, 28, 30
Cable Finished Diameter	16 dia. max.

### · Dimensional Drawings of Case

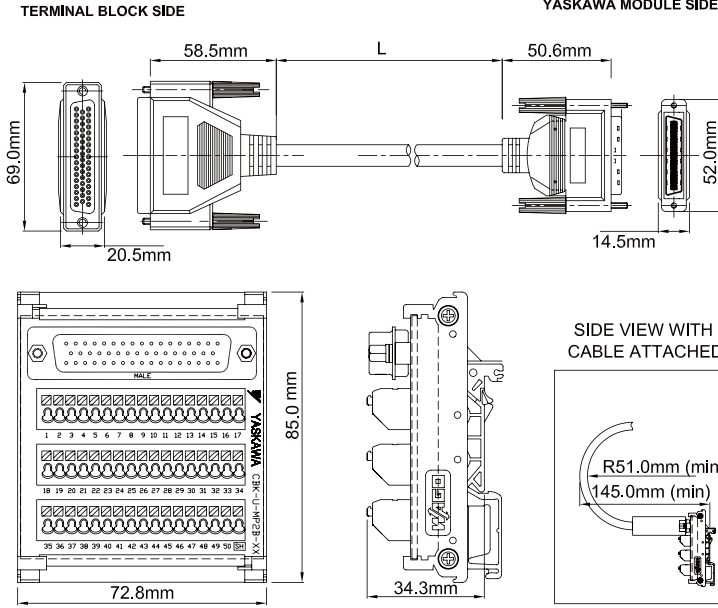


### · Dimensional Drawings of Connector



**Selecting Cables**

(2) Connector Terminal Converter Unit for CN13



ITEM#	L = LENGTH (mm)
CBK-U-MP2B-A5	500 +/- 38.1
CBK-U-MP2B-01	1000 +/- 38.1
CBK-U-MP2B-03	3000 +/- 38.1

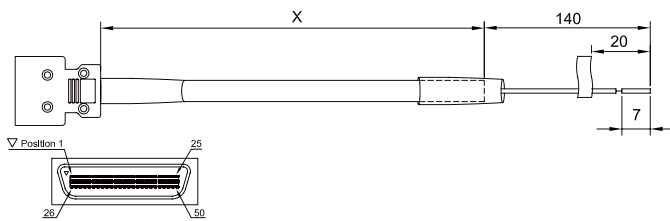
CABLE SPECIFICATION (mm)	
OUTER DIAMETER	8.5 +/- 0.1mm
BENDING RADIUS	6 x O.D. MINIMUM 15 x O.D. FOR LONG TERM RELIABILITY

CBK-U-MP2B-XX Function Chart for MP2600iec

Pin No.	Signal Name	I/O	Function
1	AO	O	Analog output
2	AI	I	Analog input
3	-	-	-
4	PA+	I	Phase A pulse (+)
5	PA-	I	Phase A pulse (-)
6	GND	P	Encoder input ground
7	BAT+	P	Controller SRAM Battery (+)
8	-	-	-
9	PILC5V	I	Phase-C latch pulse (-) for 5VDC input
10	PILC24V	I	Phase-C latch pulse (-) for 24VDC input
11	DO 00-	O	Digital output 0 (-)
12	DO 02-	O	Digital output 2 (-)
13	DICOM	I	Digital input common
14	DI 00	I	Digital input 0
15	DI 02	I	Digital input 2
16	DI 04	I	Digital input 4
17	DI 06	I	Digital input 6
18	DO 04-	O	Digital output 4 (-)
19	DO 06-	O	Digital output 6 (-)
20	-	-	-
21	DO 00+	O	Digital output 0 (+)
22	DO 02+	O	Digital output 2 (+)
23	DO 04+	O	Digital output 4 (+)
24	DO 06+	O	Digital output 6 (+)
25	-	-	-
26	AO GND	O	Analog output ground
27	AI GND	I	Analog input ground
28	-	-	-
29	PB+	I	Phase B pulse (+)
30	PB-	I	Phase B pulse (-)
31	GND	P	Encoder input ground
32	BAT-	P	Controller SRAM Battery (-)
33	-	-	-
34	PILC12V	I	Phase-C latch pulse (-) for 12VDC input
35	PIL	I	Phase-C latch pulse (+)
36	DO 01-	O	Digital output 1 (-)
37	DO 03-	O	Digital output 3 (-)
38	DICOM	I	Digital input common
39	DI 01	I	Digital input 1 - shared with pulse latch input
40	DI 03	I	Digital input 3
41	DI 05	I	Digital input 5
42	DI 07	I	Digital input 7
43	DO 05-	O	Digital output 5 (-)
44	DO 07-	O	Digital output 7 (-)
45	-	-	-
46	DO 01+	O	Digital output 1 (+)
47	DO 03+	O	Digital output 3 (+)
48	DO 05+	O	Digital output 5 (+)
49	DO 07+	O	Digital output 7 (+) - shared w/ position agreement COIN signal
50	-	-	-

I = Input, O = Output, P = Power

(3) Flying Lead Cable for CN13



ITEM NUMBER	X = LENGTH (mm)
CFC-U-MP2B-A5	500
CFC-U-MP2B-01	1000
CFC-U-MP2B-03	3000

CABLE SPECIFICATION (mm)	
OUTER DIAMETER	8.1
BENDING RADIUS	12 O.D.

CFC-U-MP2B-XX Function Chart for MP2600iec

Pin No.	Color (Solid/Band)	Signal Name	I/O	Function
1	BLK/RED	AO	O	Analog output
2	BLK/WHT	AI	I	Analog input
3	RED/GRN	-	-	-
4	BLK/BLU	PA+	I	Phase A pulse (+)
5	BLU/BLK	PA-	I	Phase A pulse (-)
6	RED/BLU	GND	P	Encoder input ground
7	RED/WHT	BAT+	P	Controller SRAM Battery (+)
8	BLK/GRN	-	-	-
9	BLK/YEL	PILC5V	I	Phase-C latch pulse (-) for 5VDC input
10	BLK/ORG	PILC24V	I	Phase-C latch pulse (-) for 24VDC input
11	RED/YEL	DO 00-	O	Digital output 0 (-)
12	RED/GRN	DO 02-	O	Digital output 2 (-)
13	RED/ORG	DICOM	I	Digital input common
14	GRN/WHT	DI 00	I	Digital input 0
15	GRN/BLU	DI 02	I	Digital input 2
16	GRN/YEL	DI 04	I	Digital input 4
17	GRN/BRN	DI 06	I	Digital input 6
18	GRN/ORG	DO 04-	O	Digital output 4 (-)
19	WHT/BLU	DO 06-	O	Digital output 6 (-)
20	WHT/YEL	-	-	-
21	YEL/RED	DO 00+	O	Digital output 0 (+)
22	BRN/RED	DO 02+	O	Digital output 2 (+)
23	ORG/GRN	DO 04+	O	Digital output 4 (+)
24	BLU/WHT	DO 06+	O	Digital output 6 (+)
25	WHT/BRN	-	-	-
26	RED/BLK	AO GND	O	Analog output ground
27	WHT/BLK	AI GND	I	Analog input ground
28	GRN/RED	-	-	-
29	BLK/BRN	PB+	I	Phase B pulse (+)
30	BRN/BLK	PB-	I	Phase B pulse (-)
31	BLU/RED	GND	P	Encoder input ground
32	WHT/RED	BAT-	P	Controller SRAM Battery (-)
33	GRN/BLK	-	-	-
34	ORG/BLK	PILC12V	I	Phase-C latch pulse (-) for 12VDC input
35	YEL/BLK	PIL	I	Phase-C latch pulse (+)
36	WHT/ORG	DO 01-	O	Digital output 1 (-)
37	BLU/YEL	DO 03-	O	Digital output 3 (-)
38	ORG/RED	DICOM	I	Digital input common
39	WHT/GRN	DI 01	I	Digital input 1 - shared with pulse latch input
40	BLU/GRN	DI 03	I	Digital input 3
41	YEL/GRN	DI 05	I	Digital input 5
42	BRN/GRN	DI 07	I	Digital input 7
43	BLU/BRN	DO 05-	O	Digital output 5 (-)
44	BLU/ORG	DO 07-	O	Digital output 7 (-)
45	YEL/WHT	-	-	-
46	ORG/WHT	DO 01+	O	Digital output 1 (+)
47	YEL/BLU	DO 03+	O	Digital output 3 (+)
48	BRN/BLU	DO 05+	O	Digital output 5 (+)
49	ORG/BLU	DO 07+	O	Digital output 7 (+) - shared w/ position agreement COIN signal
50	BRN/WHT	-	-	-

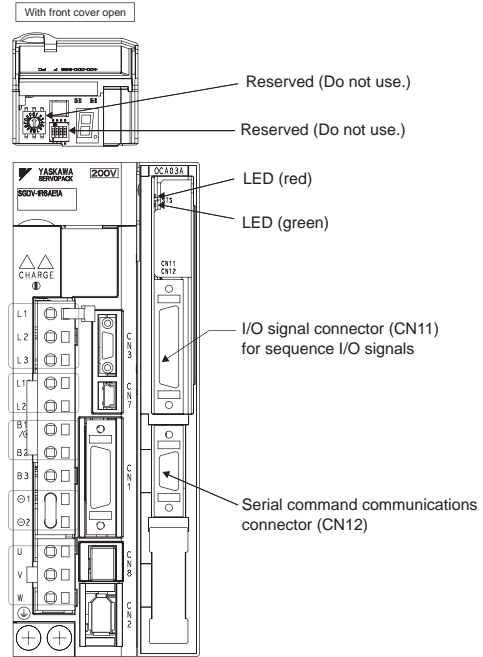
I = Input, O = Output, P = Power



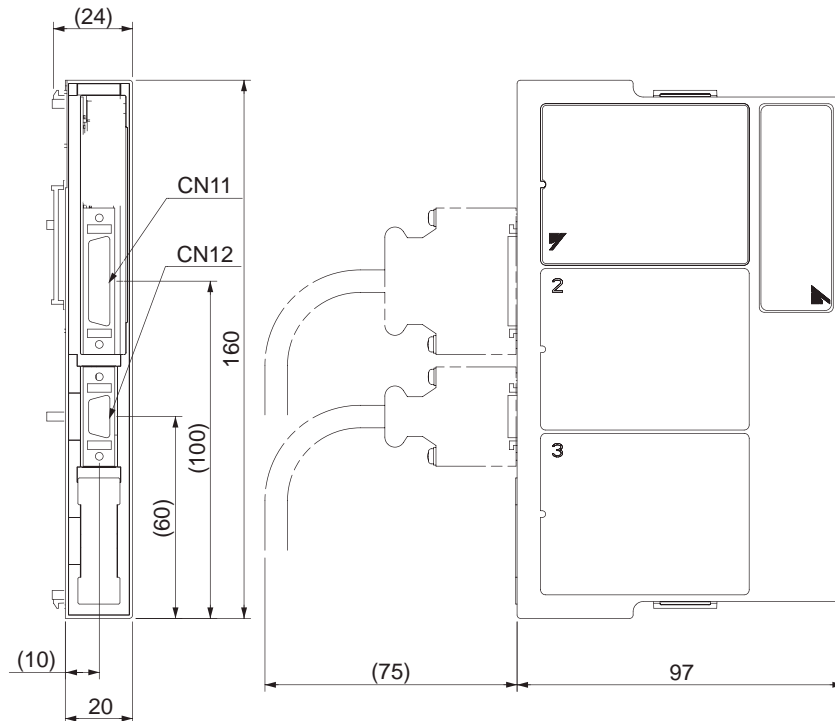
# Sigma-5 Indexer Option

The Sigma-5 SERVOPACK with indexer option provides point to point positioning capability without complex programming. With this plug-and-play system, even the automation novice will be able to develop a high performance application solution with minimal effort..

- The configuration tool SigmaWin+ provides a wizard that will interact with you in a dialog format to help you setup and change the settings for your application.
- Up to 256 positioning points can be programmed in an easy to edit program table.
- A wide range of functions such as positioning, jogging, homing, registration, backlash compensation, and programmable signal outputs are available.
- The amplifier package comes with 19 digital inputs and 16 digital outputs.
- Interface with host controller or PLC via discrete I/O or ASCII serial commands (RS-422 or RS-485).



## ● External Dimensions Units: mm



Dimensions in mm.



## Specifications of the Indexer Module

## ● INDEXER Module

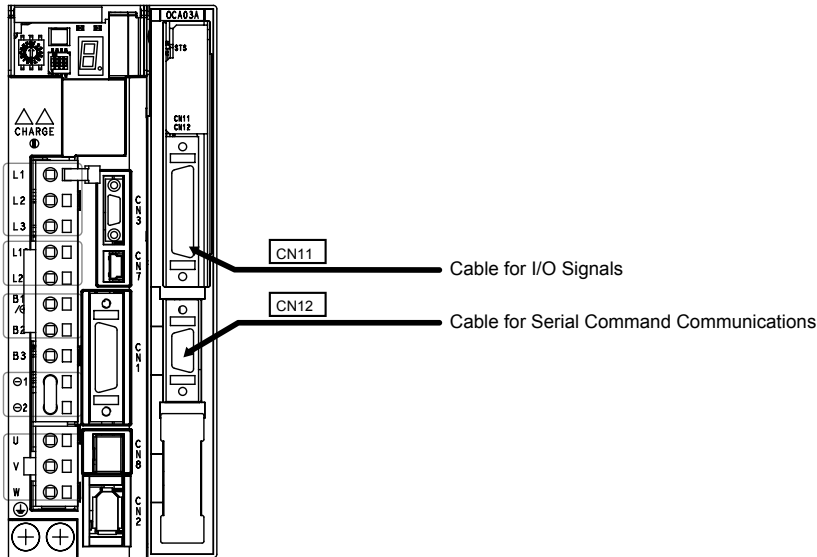
Items		Specifications				
Control Method	Program Table Method	Program table positioning in which steps are executed sequentially by commands given through contact input or serial communications Positioning in which station numbers are specified by commands given through contact input or serial communications				
		Max. Number of Steps	256			
		Max. Number of Tables	256			
	Max. Number of Stations	256				
	Serial Communications Method	Serial command by 1-channel ASCII code Communications specifications: RS-422/485 (50 m max.) Connection topology: Multi-drop connection (16 axes max.) Baud rate: 9600, 19200, 38400 bps				
Other Functions		Registration (positioning by external signal), homing				
Display	LED	Lit during parameter setting, monitoring, executing utility functions, etc.				
I/O Signal	Input	SERVOPACK End	<ul style="list-style-type: none"> <li>Servo ON (/S-ON)</li> <li>Forward run prohibited (P-OT), reverse run prohibited (N-OT)</li> <li>Homing deceleration limit switch (/DEC)</li> <li>Alarm reset (/ALM-RST)</li> <li>Registration latch (/RGRT)</li> </ul>			
		Module End	Mode selection (/MODE0/1) <table border="1" style="width: 100%; border-collapse: collapse;"> <thead> <tr> <th style="width: 50%;">Mode 0</th> <th style="width: 50%;">Mode 1</th> </tr> </thead> <tbody> <tr> <td> <ul style="list-style-type: none"> <li>Starts or interrupts program table operation (/START-STOP)</li> <li>Resets program table operation (/PGMRES)</li> <li>Program table selection 0 (/SEL0) to Program table selection 7 (/SEL7)</li> </ul> </td> <td> <ul style="list-style-type: none"> <li>Starts homing (/HOME)</li> <li>Starts forward JOG operation (/JOGP)</li> <li>Starts reverse JOG operation (/JOGN)</li> <li>JOG speed table selection 0 (/JOG0) to JOG speed table selection 3 (/JOG3)</li> </ul> </td> </tr> </tbody> </table>	Mode 0	Mode 1	<ul style="list-style-type: none"> <li>Starts or interrupts program table operation (/START-STOP)</li> <li>Resets program table operation (/PGMRES)</li> <li>Program table selection 0 (/SEL0) to Program table selection 7 (/SEL7)</li> </ul>
	Mode 0	Mode 1				
	<ul style="list-style-type: none"> <li>Starts or interrupts program table operation (/START-STOP)</li> <li>Resets program table operation (/PGMRES)</li> <li>Program table selection 0 (/SEL0) to Program table selection 7 (/SEL7)</li> </ul>	<ul style="list-style-type: none"> <li>Starts homing (/HOME)</li> <li>Starts forward JOG operation (/JOGP)</li> <li>Starts reverse JOG operation (/JOGN)</li> <li>JOG speed table selection 0 (/JOG0) to JOG speed table selection 3 (/JOG3)</li> </ul>				
Output	SERVOPACK End	<ul style="list-style-type: none"> <li>Servo alarm (ALM)</li> <li>Error/warning (/WARN)</li> <li>Braking (/BK)</li> </ul>				
	Module End	<ul style="list-style-type: none"> <li>Servo ready (/S-RDY)</li> <li>Alarm code output 0 to 2 (ALO0 to ALO2)</li> </ul>				
		Module End	<ul style="list-style-type: none"> <li>Positioning completed (/INPOSITION)</li> <li>Programmable output 0 to 7 (/POUT0 to /POUT7)</li> </ul>			

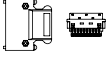
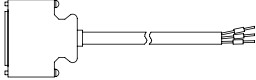
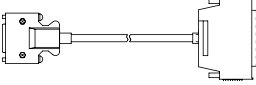
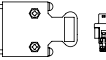
## Program Table Functions

Function	Setting Range	Setting Unit	Description
PGMSTEP	Program step	-	Program step number (0 to 255)
POS	Target position	-99,999,999 to +99,999,999	Reference unit Specifies the target position. Absolute position (A), relative distance (I), infinite length (INFINITE), Stop (STOP), no motion command (-)
SPD	Positioning speed	1 to 99,999,999	×1000 reference units/min Specifies the positioning speed.
RDST	External positioning distance	0 to 99,999,999	Reference unit Specifies registration distance. For no registration, set "-".
RSPD	External positioning speed	1 to 99,999,999	×1000 reference units/min Specifies registration speed.
ACC	Acceleration	1 to 99,999,999	×1000 reference units/min/ms Specifies acceleration for positioning or registration. To continue with the acceleration specified in the previously executed program step, set "-".
DEC	Deceleration	1 to 99,999,999	×1000 reference units/min/ms Specifies deceleration for positioning or registration. To continue with the deceleration specified in the previously executed program step, set "-".
POUT	Programmable output signals	-	- Specifies the operation of programmable output signals /POUT0 to /POUT7. Active (A), inactive (N), ZONE signal (Z), maintain previous condition ( : )
EVENT	Pass condition	0 to 99,999 (Waiting time settings)	ms Sets waiting time (Tn) and any one of the following in tandem: Positioning completion signal (I), position reference distribution completed signal (D), positioning near signal (N), or selection signal (SELn)
LOOP	Number of executions	1 to 99,999	- Specifies the number of executions from positioning start to pass condition (EVENT).
NEXT	Program step to be executed next	0 to 255	- Specifies the program step (PGMSTEP) to be executed next. To end program table operation, set "END".

## Selecting Cables

### ● Cables for CN11 CN12 (INDEXER Module)



Name		Length	Order No.	Specifications	Details
<span style="border: 1px solid black; padding: 2px;">CN11</span> Cable for I/O Signals	Connector Kit		DP9420007-E		(1)
	Cable with Loose wire at One End	1 m	JZSP-CVI01-1-E		(2)
		2 m	JZSP-CVI01-2-E		
		3 m	JZSP-CVI01-3-E		
	Cable with Terminal Block at One End	0.5 m	JUSP-TA36V-E		(3)
		1 m	JUSP-TA36V-1-E		
2 m		JUSP-TA36V-2-E			
<span style="border: 1px solid black; padding: 2px;">CN12</span> Cable for Serial Command Communications	Connector kit <sup>*1</sup>		JZSP-CHI9-1		(4)

\*1 Use the connector kit when you make cables yourself.

# Indexer Option

## Selecting Cables

### (1) Connector Kit for CN11

Use the following connector and cable to assemble the cable. The CN11 connector kit includes one case and one connector.

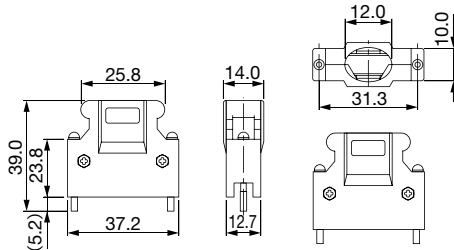
Connector Kit Model	Case		Connector	
	Model	Qty	Model	Qty
DP9420007-E	10336-52A0-008*	1 set	10136-3000PE* (Soldered)	1

\* : Manufactured by Sumitomo 3M Ltd.

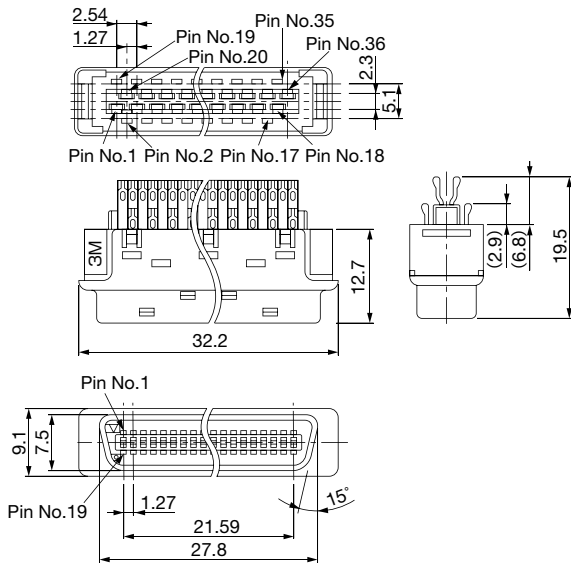
#### • Cable Size

Item	Specifications
Cable	Use twisted-pair or twisted-pair shielded wire.
Applicable Wires	AWG24, 26, 28, 30
Cable Finished Diameter	16 dia. max.

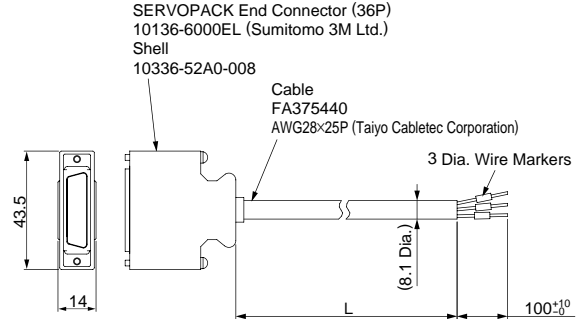
#### • External Dimensions of Case (Units: mm)



#### • External Dimensions of Connector (Units: mm)



### (2) Cable with Loose Wires at One End for CN11 External Dimensions of Cable (Units: mm)



Model	Cable Length
JZSP-CVI01-1-E	1 m
JZSP-CVI01-2-E	2 m
JZSP-CVI01-3-E	3 m

### • Cable with Loose Wires at One End for CN11 Connection Diagram of JZSP-CVI01-□-E Cable

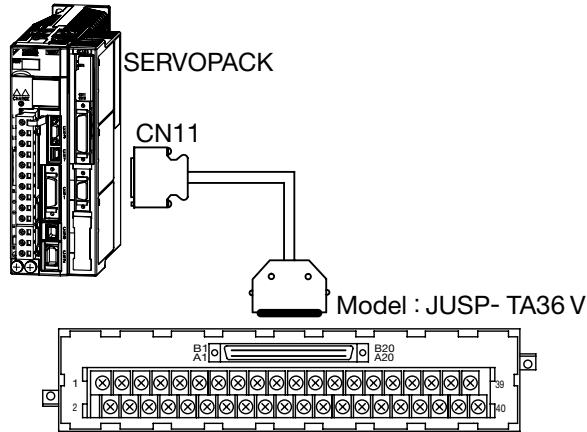
Pin No.	SERVOPACK End			Host Controller End	Lead Marker
	Signal	Wire Color	Marking		
1	MODE0	Orange	Red 1		1
2	COM+	-	-		-
3	/MODE0/1	Gray	Red 1		3
4	-	-	-		-
5	STR-STP	White	Red 1		5
6	/HOME	-	-		-
7	PGMRES	Yellow	Red 1		7
8	/JOGP	-	-		-
9	SEL0	Pink	Red 1		9
10	/JOGN	-	-		-
11	SEL1	Orange	Red 2		11
12	/JOG0	-	-		-
13	SEL2	Gray	Red 2		13
14	/JOG1	-	-		-
15	SEL5	White	Red 2		15
16	SEL3	Yellow	Red 2		16
17	/JOG2	-	-		-
18	SEL6	Pink	Red 2		18
19	SEL4	Orange	Red 3		19
20	/JOG4	-	-		-
21	SEL7	Gray	Red 3		21
22	INPOS+	White	Red 3		22
23	INPOS-	White	Black 3		23
24	POUT0+	Yellow	Red 3		24
25	POUT0-	Yellow	Black 3		25
26	POUT1+	Pink	Red 3		26
27	POUT1-	Pink	Black 3		27
28	POUT2+	Orange	Red 4		28
29	POUT2-	Orange	Black 4		29
30	POUT3+	Gray	Red 4		30
31	POUT3-	Gray	Black 4		31
32	POUT4+	White	Red 4		32
33	POUT4-	White	Black 4		33
34	POUT5+	Yellow	Red 4		34
35	POUT5-	Yellow	Black 4		35
36	POUT6+	Pink	Red 4		36
37	POUT6-	Pink	Black 4		-
38	POUT7+	Orange	Red 5 or more		38
39	POUT7-	Orange	Black 5 or more		39
40	Shield	-	-		-

∩ : Represents twisted-pair wires.

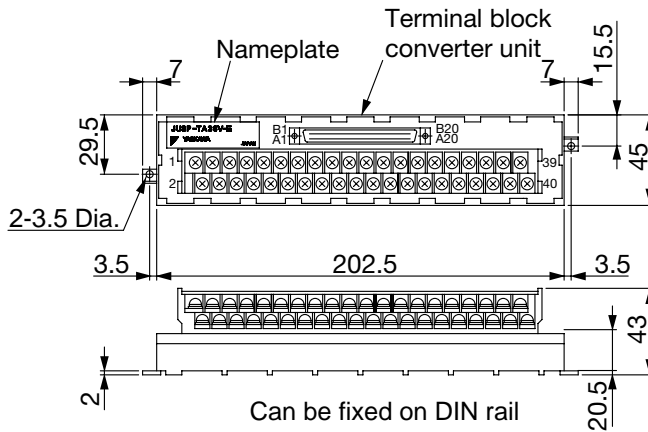
## Selecting Cables

### (3) Cable with Terminal Block at One End (for CN11)

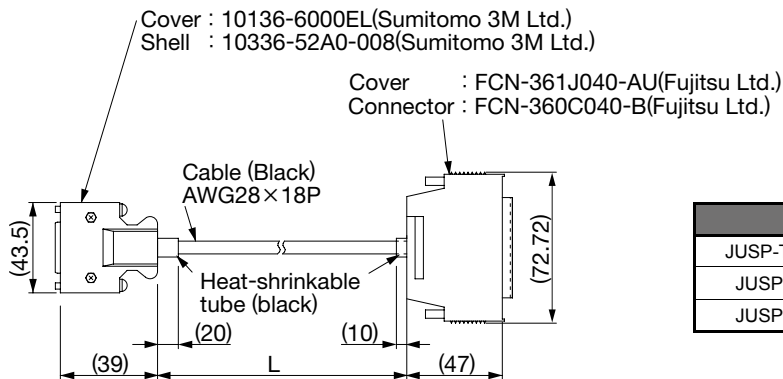
- Configurations



- External Dimensions of Terminal Block (Units: mm)



- External Dimensions of Cable (Units: mm)



Model	Cable Length (L)	Approx. Mass
JUSP-TA36V-E	0.5 m	100 g
JUSP-TA36V-1-E	1 m	200 g
JUSP-TA36V-2-E	2 m	400 g

Note: The pin number in the SERVOPACK connector and the pin number in the terminal block are the same.

Pin numbers 1 to 36 are used in the terminal block.

Do not use a pin number of 37 or higher.

If assembling cables, refer to the •Cable with Loose Wires at One End for CN11 Connection Diagram of JZSP-CV101-□-E Cable on the previous page.

## Selecting Cables

### (4) Connector Kit for CN12

Use the following connector and cable to assemble the cable. The CN12 connector kit includes one case and one connector.

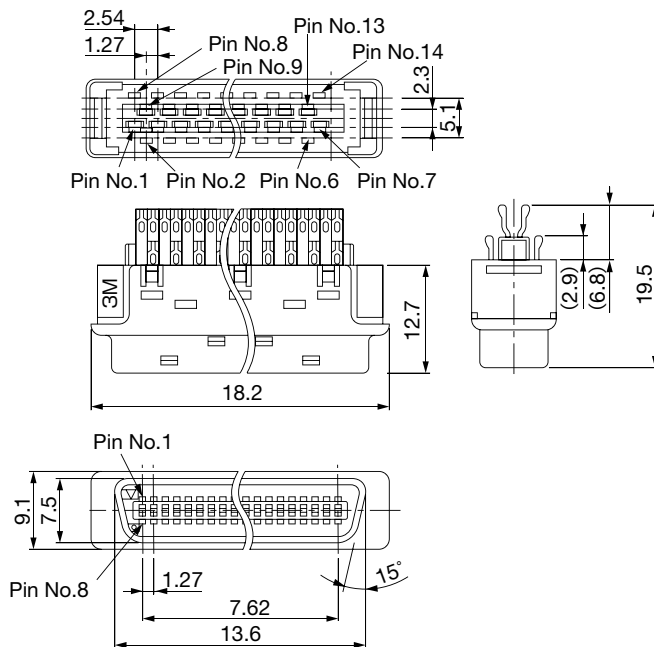
Connector Kit Model	Case		Connector	
	Model	Qty	Model	Qty
JZSP-CHI9-1	10314-52A0-008*	1 set	10114-3000PE* (Soldered)	1

\* : Manufactured by Sumitomo 3M Ltd.

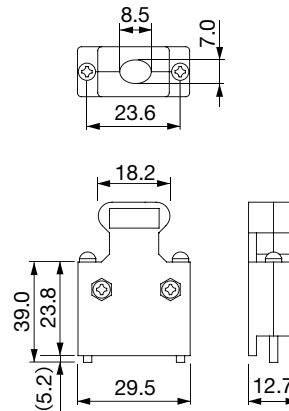
#### • Cable Size

Item	Specifications
Cable	Use twisted-pair or twisted-pair shielded wire.
Applicable Wires	AWG24, 26, 28, 30
Cable Finished Diameter	16 dia. max.

#### • External Dimensions of Connector (Units: mm)



#### • External Dimensions of Case (Units: mm)



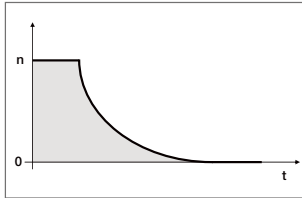


# Sigma-5 Functional Safety Option

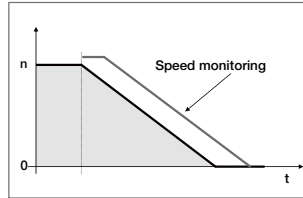
The functional safety option for the Sigma-5 SERVOPACK provides the functionality necessary to handle the different safe machine states required in your application

- The STO (Safe Torque Off) function is integrated into the standard SERVOPACK.
- Additional functions SS1 (Safe Stop 1), SS2 (Safe Stop 2), and SLS (Safe Limited Speed) can be accessed by choosing the advanced safety option

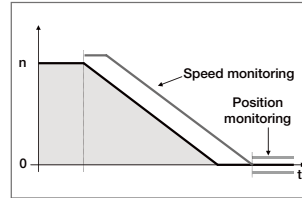
Safe Torque Off (STO)



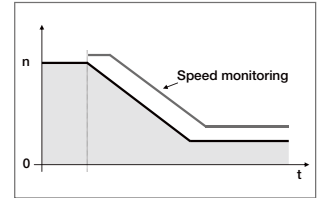
Safe Stop 1 (SS1)



Safe Stop 2 (SS2)



Safely Limited Speed (SLS)

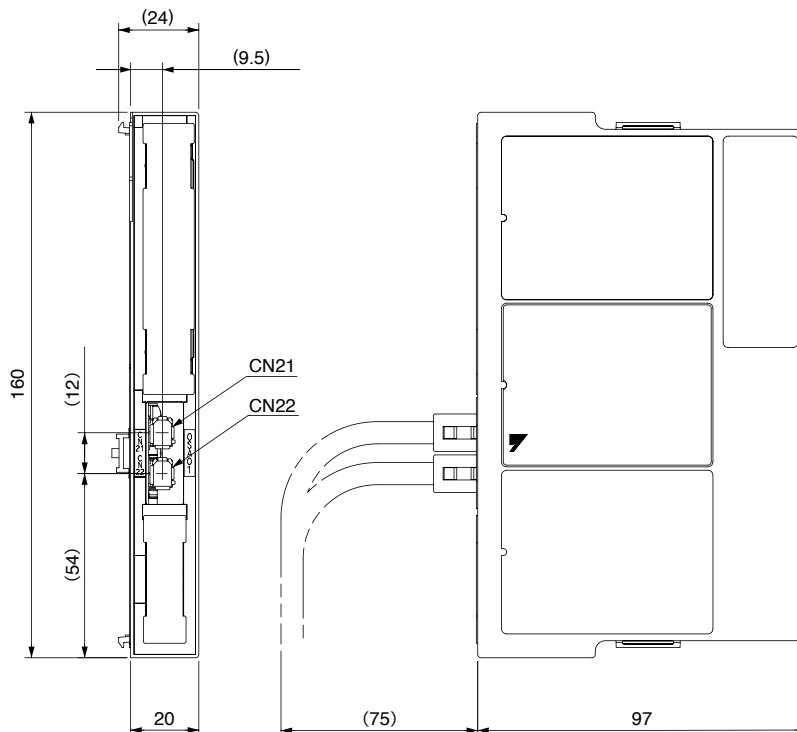


The Sigma-5 SERVOPACKs are certified by TUV SUD and comply with the following safety standards:



Description	Standard	Performance
Safety Integrity Level	IEC 61508	SIL 2
	IEC 62061	SILCL2
Performance Level	EN ISO 13849-1	PL-d
Stop functions	IEC 60204-1	Stop category 0/1/2
Functional Safety	IEC 61800-5-2	STO/SS1/SS2/SLS

● External Dimensions Units: mm



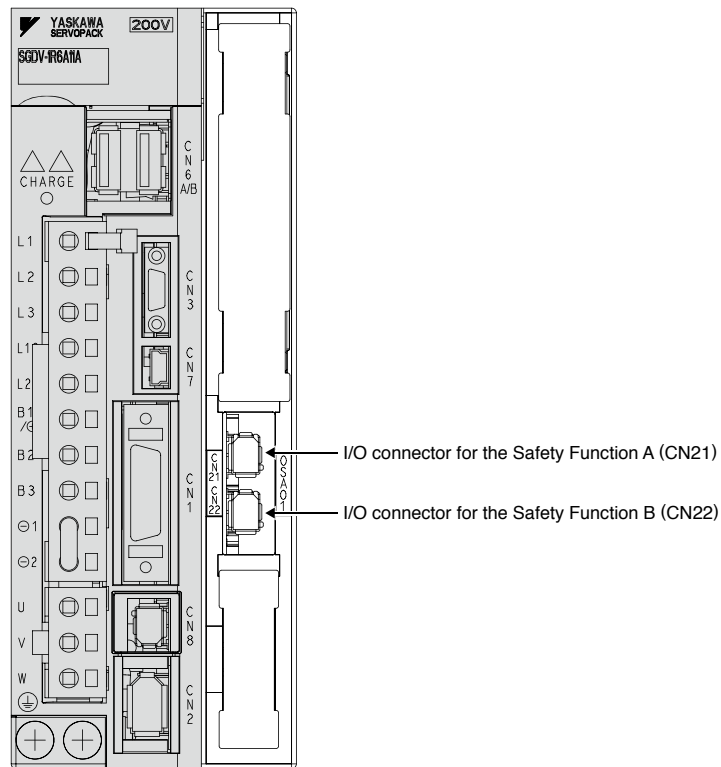
Approx. Mass: 0.11 kg

## Specifications of the Functional Safety Option

Items		Specifications		
Operating Conditions	Ambient Temperature	0 to +55°C		
	Storage Temperature	-20 to +85°C		
	Ambient Humidity	90% RH or less	With no freezing or condensation	
	Storage Humidity	90% RH or less		
	Vibration Resistance	4.9 m/s <sup>2</sup>		
	Shock Resistance	19.6 m/s <sup>2</sup>		
	Protection Class	IP10	An environment that satisfies the following conditions. <ul style="list-style-type: none"> <li>• Free of corrosive or flammable gases</li> <li>• Free of exposure to water, oil, or chemicals</li> <li>• Free of dust, salts, or iron dust</li> </ul>	
	Pollution Degree	2		
	Altitude	1000 m or less		
	Others	Do not use SERVOPACKs in the following locations: <ul style="list-style-type: none"> <li>• Locations subject to static electricity noise, strong electromagnetic/magnetic fields, radioactivity</li> </ul>		
Compliance with North American Safety Standards, European Directives, and Safety Standards (SERVOPACK + Safety Module)				
North American Safety Standards		UL508C (E147823)		
European Directives	Machinery Directive (2006/42/EC)	EN ISO 13849-1: 2008 EN 954-1		
	EMC Directive (2004/108/EC)	EN 55011/A2 group 1, class A EN 61000-6-2 EN 61800-3		
	Low Voltage Directive (2006/95/EC)	EN 50178 EN 61800-5-1		
Safety Standards	Safety of Machinery	EN ISO 13849-1, EN 954-1, IEC 60204-1		
	Functional Safety	IEC 61508-1 to -7, IEC 62061, IEC 61800-5-2		
	EMC Directive	IEC 61326-3-1		
Safety Function		IEC 61800-5-2	IEC 60204-1	
		Safe Torque Off (STO)	Stop Category 0	
		Safe Stop 1 (SS1)	Stop Category 1	
		Safe Stop 2 (SS2)	Stop Category 2	
		Safely Limited Speed (SLS)		
	Number of Function	2		
	Safety Function A	Input signal: Two channels (redundant signals), output signal: one channel		
Safety Function B	Input signal: Two channels (redundant signals), output signal: one channel			
Safe Performance				
	Safety Integrity Level	SIL2, SILCL2		
	Probability of Dangerous Failure per Hour	PFH $\leq$ 3.3 [1/h]		
	Category	Cat3		
	Performance Level	PLd (Category 2)		
	Mean Time to Dangerous Failure of Each Channel	MTTFd: High		
	Average Diagnostic Coverage	DCave: Medium		
	Proof Test Interval	10 years		

# Selecting Cables

● **CN21** **CN22** Cable for Functional Safety Option

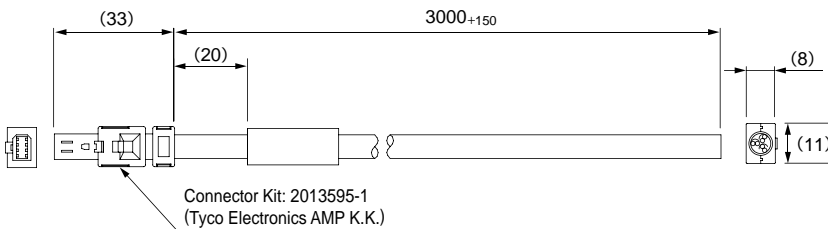


Name	Length	Order No.	Specifications	Details
<b>CN21</b> <b>CN22</b> Cable for Functional Safety Option	Cable with Connector <sup>*1</sup> 3 m	JZSP-CVH03-03-E		(1)
Connector Kit <sup>*2</sup>		Contact Tyco Electronics AMP K.K. Product name: Industrial Mini I/O D-shape Type1 Plug Connector Kit Model: 2013595-1		

\*1: When using the safety function, connect this cable to the safety devices.  
 \*2: Use the connector kit when you make cables yourself.

(1) Cable with Connector for CN21 and CN22  
 (Model: JZSP-CVH03-03-E)

• External Dimensions (Units: mm)



• Specifications

Pin No.	Signal	Lead Color	Marking Color
1	Not used	-	-
2	Not used	-	-
3	/SRI-□1-	White	Black
4	/SRI-□1+	White	Red
5	/SRI-□2-	Gray	Black
6	/SRI-□2+	Gray	Red
7	EDM-□-	Orange	Black
8	EDM-□+	Orange	Red

Note: The signal name varies in accordance with the connector used.  
 Connector CN21: □=A  
 Connector CN22: □=B







# Wiring Main Circuit and Peripheral Devices

## Wiring Main Circuit

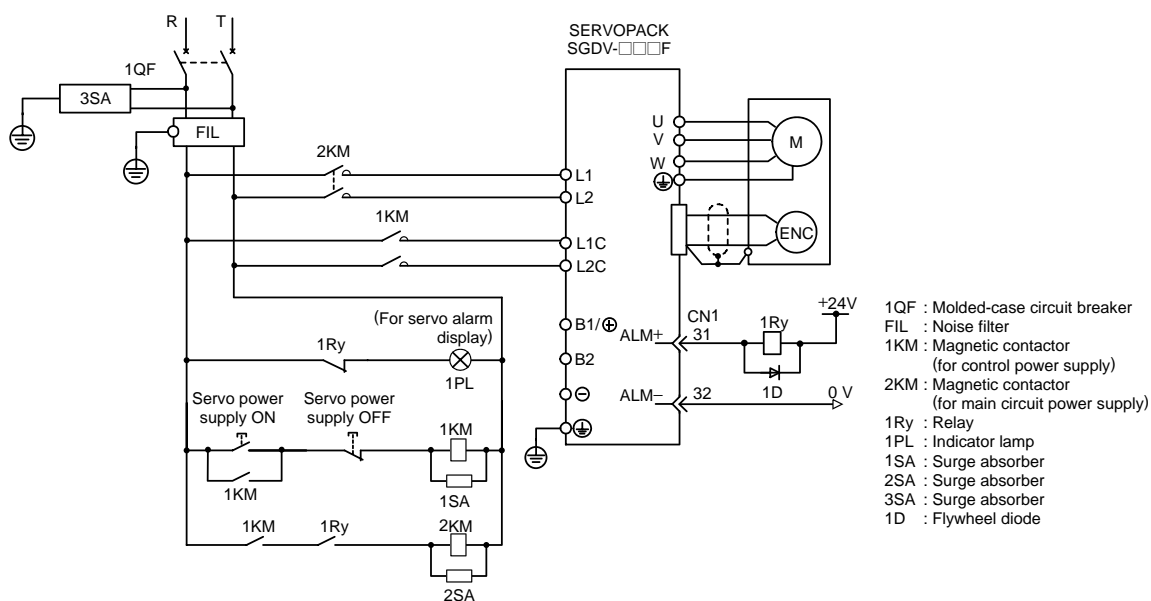
### ● Typical Main Circuit Wiring Examples

This section describes the typical main circuit wiring examples.

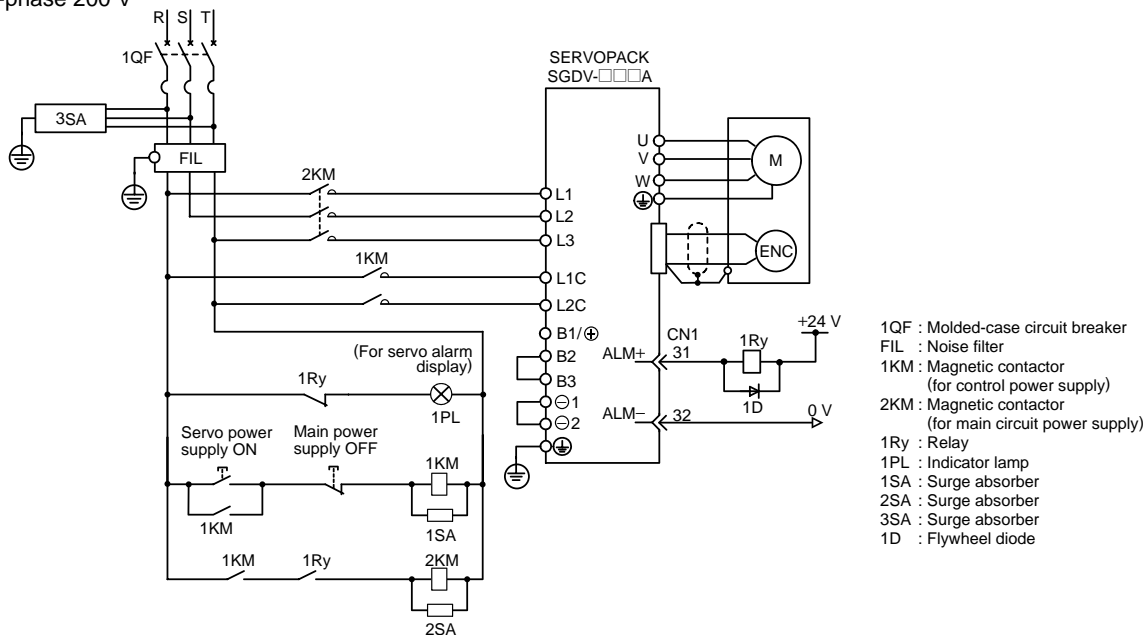
### ⚠ WARNING

After turning OFF the power, do not touch the power terminals while charge indicator is still ON. High residual voltage may still remain in the SERVOPACK. When the voltage is discharged, the charge indicator will turn OFF. Make sure the charge indicator is OFF before starting wiring or inspection.

#### ● Single-phase 100 V



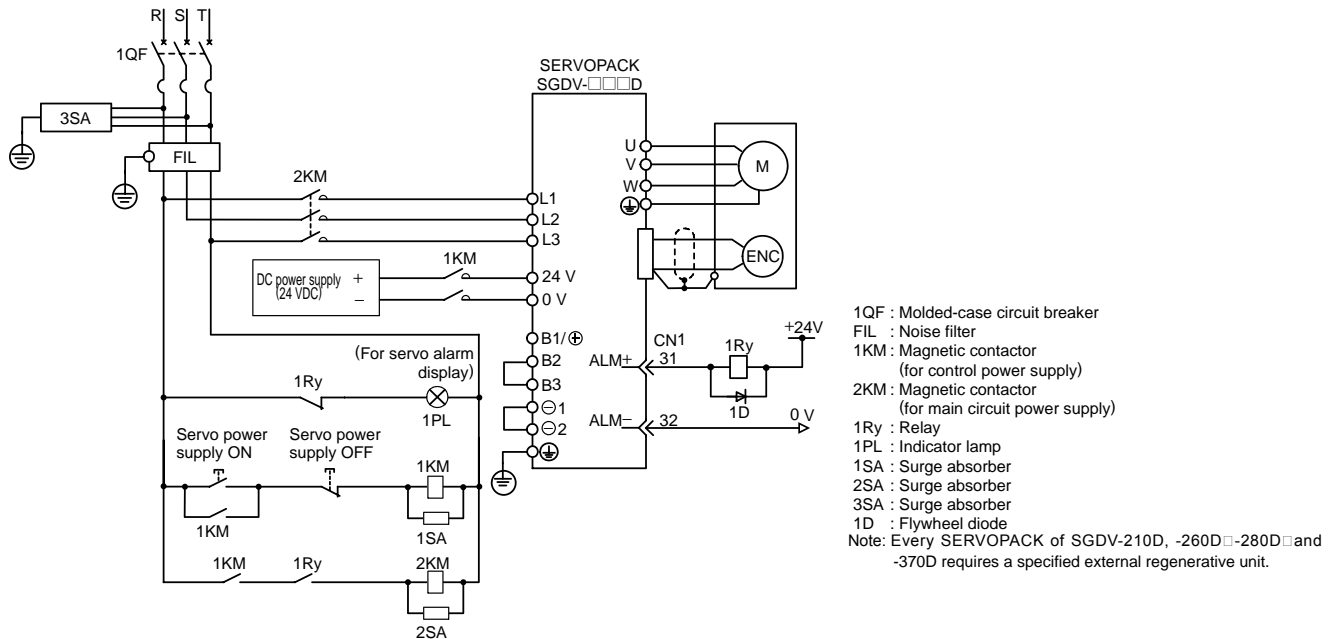
#### ● Three-phase 200 V



Note: Every SERVOPACK of SGD V-470A, -550A, -590A and -780A requires a specified external regenerative unit.

## Wiring Main Circuit

- Three-phase 400 V



## ● General Precautions for Wiring

### IMPORTANT

- Use a molded-case circuit breaker (QF) or fuse to protect the Main Circuit.  
The SERVOPACK connects directly to a commercial power supply; it is not isolated by a transformer or other device.  
Always use a molded-case circuit breaker (QF) or fuse to protect the servo system from accidents involving different power system voltages or other accidents.
- Install a ground fault detector.  
The SERVOPACK does not have a built-in protective circuit for grounding. To configure a safer system, install a ground fault detector against overloads and short-circuiting, or install a ground fault detector combined with a molded-case circuit breaker.
- Do not turn power ON and OFF frequently.  
The power supply in the SERVOPACK contains a capacitor, which causes a high charging current to flow when power is turned ON. Frequently turning power ON and OFF will cause the main circuit elements in the SERVOPACK to deteriorate.

To ensure safe, stable application of the servo system, observe the following precautions when wiring.

Observe the following precautions when wiring the main circuit.

- Use shielded twisted-pair wires or shielded multi-core twisted-pair wires for signal lines and encoder lines.
- The maximum wiring length is 3 m for signal lines and 50 m for encoder lines.

Observe the following precautions when wiring the ground.

- Use a cable as thick as possible (at least 2.0 mm<sup>2</sup>)
- Ground the 100-V and the 200-V SERVOPACK to a resistance of 100 Ω or less. Ground the 400-V SERVOPACK to a resistance of 10 Ω or less.
- Be sure to ground at only one point.
- Ground the servomotor directly if the servomotor is insulated from the machine.

The signal cable conductors are as thin as 0.2 mm or 0.3 mm. Do not impose excessive bending force or tension.

## ● Precautions When Using the SERVOPACK with a DC Power Input

When using the SERVOPACK with a DC power input, refer to 3.1.5 Precautions When using the SERVOPACK with a DC power input on "AC Servodrive  $\Sigma$ -V Series USER'S MANUAL Design and Maintenance." (manual no. SIEP S800000 45)

## Wiring Main Circuit

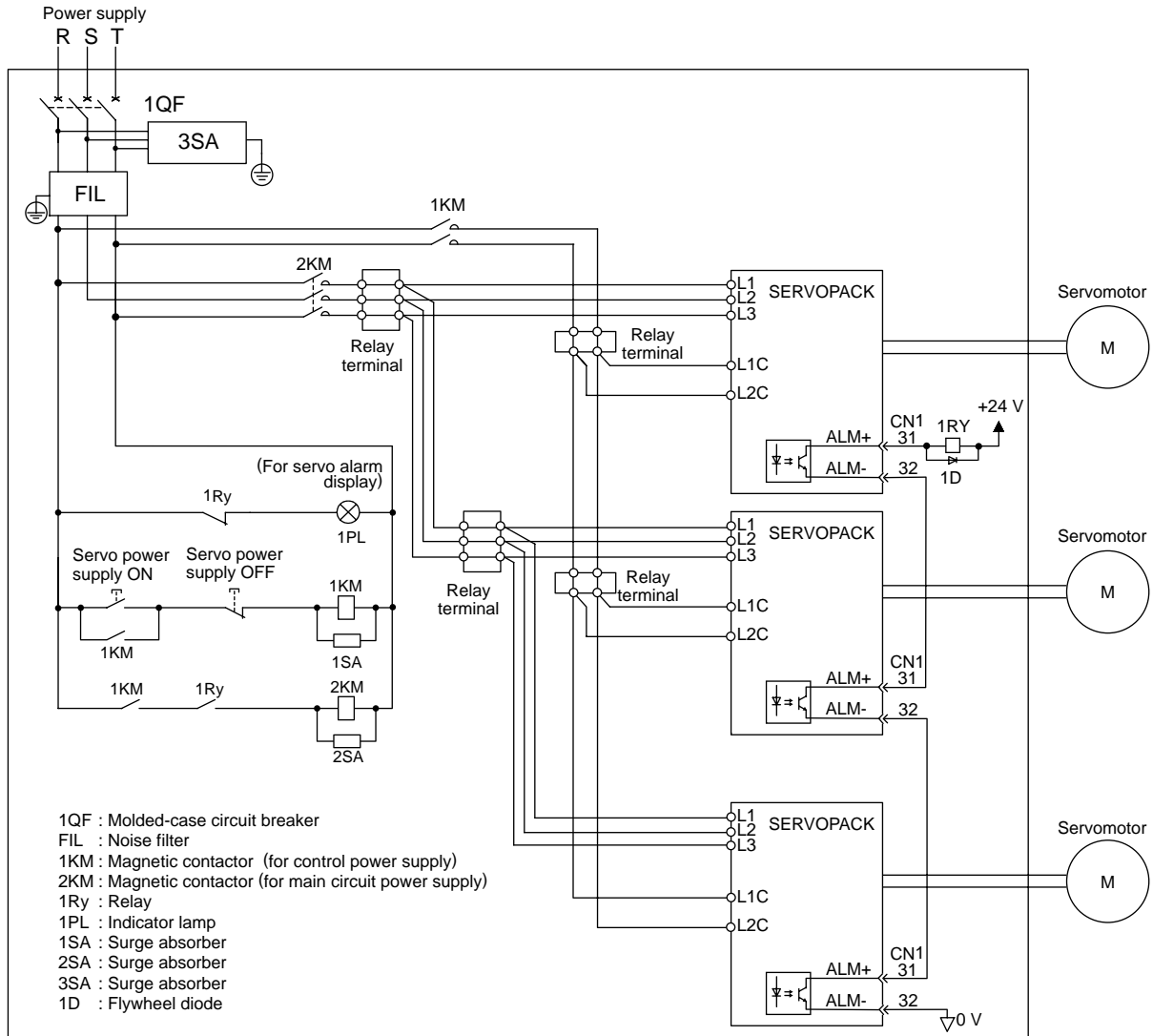
### ● Precautions When Using More Than One SERVOPACK

This section shows an example of the wiring when more than one SERVOPACK is used and the precautions.

#### ● Wiring Example

Connect the alarm output (ALM) terminals for the three SERVOPACKs in series to enable alarm detection relay 1RY to operate.

When a SERVOPACK alarm is activated, the ALM output signal transistor is turned OFF.



#### ● Precautions

Multiple servos can share a single molded-case circuit breaker (QF) or noise filter. Always select a QF or noise filter that has enough capacity for the total power capacity (load conditions) of those servos.

## SERVOPACK Main Circuit Wire

## ● Single-phase, 100 V

Cables	Terminal Symbol	SERVOPACK Model SGD V-			
		R70F	R90F	2R1F	2R8F
Main Circuit Power Cable	L1, L2	HIV1.25		HIV2.0	
Servomotor Main Circuit Cable	U, V, W	HIV1.25			
Control Power Cable	L1C, L2C	HIV1.25			
External Regenerative Resistor Cable	B1(⊕), B2	HIV1.25			
Ground Cable	⊕	HIV2.0 min.			

## ● Three-phase, 200 V

Cables	Terminal Symbol	SERVOPACK Model SGD V-														
		R70A	R90A	1R6A	2R8A	3R8A	5R5A	7R6A	120A	180A	200A	330A	470A	550A	590A	780A
Main Circuit Power Cable	L1, L2, L3	HIV1.25			HIV2.0				HIV3.5		HIV5.5	HIV8	HIV14	HIV22		
Servomotor Main Circuit Cable	U, V, W	HIV1.25			HIV2.0				HIV3.5	HIV5.5	HIV8.0	HIV14		HIV22		
Control Power Cable	L1C, L2C	HIV1.25														
External Regenerative Resistor Cable	B1(⊕), B2	HIV1.25						HIV2.0	HIV3.5	HIV5.5	HIV8		HIV22			
Ground Cable	⊕	HIV2.0 min.														

## ● Three-phase, 400 V

Cables	Terminal Symbol	SERVOPACK Model SGD V-										
		1R9D	3R5D	5R4D	8R4D	120D	170D	210D	260D	280D	370D	
Main Circuit Power Cable	L1, L2, L3	HIV1.25			HIV2.0		HIV3.5		HIV5.5	HIV8	HIV14	
Servomotor Main Circuit Cable	U, V, W	HIV1.25			HIV2.0		HIV3.5	HIV5.5		HIV8	HIV14	
Control Power Cable	24V, 0V	HIV1.25										
External Regenerative Resistor Cable	B1(⊕), B2	HIV1.25					HIV2.0	HIV3.5		HIV5.5	HIV8	
Ground Cable	⊕	HIV2.0 min.										

## ● Wire Type

Wire Type		Allowable Conductor Temperature °C
Code	Name	
PVC	Polyvinyl chloride insulated wire	—
IV	600 V polyvinyl chloride insulated wire	60
HIV	600 V grade heat-resistant polyvinyl chloride insulated wire	75

## ● HIV Conversion Chart

HIV	Cross-Sectional Area (mm <sup>2</sup> ) *1	AWG
HIV 1.25	1.25	16
HIV 2.0	2.0	14
HIV 3.5	3.5	12
HIV 5.5	5.5	10
HIV 8.0	8.0	8
HIV 14	14	6
HIV 22	22	4

\*1 Cross-sectional area applies to solid wires

## SERVOPACK Main Circuit Wire

The following table shows the size and allowable currents for the wires. Use a wire whose specifications meet or are less than the values in the table.

### ● 600 V grade heat-resistant polyvinyl chloride insulated wires

Nominal Cross Section Diameter mm <sup>2</sup>	AWG size	Allowable Current at Ambient Temperatures A		
		30°C	40°C	50°C
0.5	20	6.6	5.6	4.5
0.75	—	8.8	7.0	5.5
0.9	18	9.0	7.7	6.0
1.25	17 to 16	12.0	11.0	8.5
2.0	14	23	20	16
3.5	12 to 11	33	29	24
5.5	10 to 9	43	38	31
8.0	8	55	49	40
14.0	6 to 5	79	70	57
22.0	4 to 3	91	81	66

Note: The values in the table are only for reference.

#### IMPORTANT

- 1 Wire sizes are selected for three cables per bundle at 40°C ambient temperature with the rated current.
- 2 Use a wire with a minimum withstand voltage of 600 V for the main circuit.
- 3 If wires are bundled in PVC or metal ducts, take into account the reduction of the allowable current.
- 4 Use a heat-resistant wire under high ambient or panel temperatures, where polyvinyl chloride insulated wires will rapidly deteriorate.

## Molded-case Circuit Breaker and Fuse Capacity

Main Circuit Power Supply	Applicable Servomotor Max. Capacity kW	SERVOPACK Model SGDV-	Power Supply Capacity per SERVOPACK kVA	Current Capacity		Inrush Current	
				Main Circuit $A_{rms}$	Control Circuit $A_{rms}$	Main Circuit $A_{0-p}$	Control Circuit $A_{0-p}$
Single-phase 100 V	0.05	R70F	0.2	1.5	0.38	16.5	35
	0.1	R90F	0.3	2.5			
	0.2	2R1F	0.7	5			
	0.4	2R8F	1.4	10			
Three-phase 200 V	0.05	R70A	0.2	1.0	0.2	33	70
	0.1	R90A	0.3	1.0			
	0.2	1R6A	0.6	2.0			
	0.4	2R8A	1	3.0			
	0.5	3R8A	1.4	3.0			
	0.75	5R5A	1.6	6.0			
	1.0	7R6A	2.3	6.0	0.25	33	
	1.5	120A	3.2	7.3			
	2.0	180A	4	9.7			
	3.0	200A	5.9	15			
	5.0	330A	7.5	25			
	6.0	470A	10.7	29			
	7.5	550A	14.6	37			
	11	590A	21.7	54			0.45
15	780A	29.6	73				
Three-phase 400 V	0.5	1R9D	1.1	1.4	1.2	17	-
	1.0	3R5D	2.3	2.9			
	1.5	5R4D	3.5	4.3			
	2.0	8R4D	4.5	5.8	1.4	34	
	3.0	120D	7.1	8.6			
	5.0	170D	11.7	14.5			
	6.0	210D	12.4	17.4			
	7.5	260D	14.4	21.7	1.5	34	
	11	280D	21.9	31.8			
	15	370D	30.6	43.4			

Notes: 1 To comply with the low voltage directive, connect a fuse to the input side. Select the fuse or molded-case circuit breaker for the input side from among models that are compliant with UL standards.

The table above also provides the net values of current capacity and inrush current. Select a fuse and a molded-case circuit breaker which meet the breaking characteristics shown below.

- Main circuit, control circuit: No breaking at three-times the current values of the table for 5 s.
- Inrush current: No breaking at the same current values of the table for 20 ms.

2 In accordance with UL standards, the following restrictions apply. Install fuses or circuit breakers listed in accordance with the guidelines of NEC.

SERVOPACK SGDV-	Restrictions
180A,200A	Available rated current for molded-case circuit breaker: 40 A or less
330A	<ul style="list-style-type: none"> <li>· Available rated current for non-time delay fuse: 70 A or less</li> <li>· Available rated current for time delay fuse: 40 A or less</li> <li>· Do not use single wires.</li> </ul>
470A, 550A	<ul style="list-style-type: none"> <li>· Available rated current for molded-case circuit breaker: 60A or less</li> <li>· Available rated current for non-time delay fuse: 60 A or less</li> </ul>
590A, 780A	<ul style="list-style-type: none"> <li>· Available rated current for molded-case circuit breaker: 100 A or less</li> <li>· Available rated current for non-time delay fuse or time delay fuse: 100 A or less (Available rated current for class J non-time delay or faster fuse: 125 A or less)</li> </ul>
210D, 260D	<ul style="list-style-type: none"> <li>· Available rated current for molded-case circuit breaker: 60 A or less</li> <li>· Available rated current for non-time delay fuse: 60 A or less</li> <li>· Available rated current for time delay fuse: 35 A or less</li> </ul>
280D, 370D	<ul style="list-style-type: none"> <li>· Available rated current for molded-case circuit breaker: 80 A or less</li> <li>· Available rated current for non-time delay fuse: 125 A or less</li> <li>· Available rated current for time delay fuse: 75 A or less</li> </ul>

## Noise Filters

### ● Noise Filter Selection

Main Circuit Power Supply	SERVOPACK Model SGDV-	Recommended Noise Filter			Details	
		Model	Specifications	Leakage Current		
Single-phase 100 V	R70F,R90F	FN2070-6/07	Single-phase 250V 6A	0.734 mA 230VAC/50Hz	(1)	
	2R1F	FN2070-10/07	Single-phase 250V 10A			
	2R8F	FN2070-16/07	Single-phase 250V 16A			
Single-phase 200 V	R70A, R90A, 1R6A	FN2070-6/07	Single-phase 250V 6A	0.734 mA 230VAC/50Hz		
	2R8A	FN2070-10/07	Single-phase 250V 10A			
	5R5A	FN2070-16/07	Single-phase 250V 16A			
	120A	FN350-30/33	Single-phase 250V 30A	5.4 mA 230VAC/50Hz		
Three-phase 200 V	R70A,R90A,1R6A 2R8A,3R8A	FN258L-7/07	Three-phase 480V 7A	0.5 mA 440VAC/50Hz		(2)
	5R5A,7R6A	FN258L-16/07	Three-phase 480V 16A	0.8 mA 440VAC/50Hz		
	120A,180A	HF3020C-UQC	Three-phase 480V 20A	10 mA 440VAC/50Hz		
	200A	HF3030C-UQC	Three-phase 480V 30A			
	330A, 470A	HF3050C-UQC	Three-phase 480V 50A			
	550A	HF3060C-UQC	Three-phase 480V 60A			
	590A, 780A	HF3100C-UQB	Three-phase 480V 100A	(3)		
Three- phase 400 V	1R9D,3R5D,5R4D	FN258L-7/07	Three-phase 480V 7A	0.8 mA 440VAC/50Hz	(2)	
	8R4D,120D	FN258L-16/07	Three-phase 480V 16A	160 mA 440VAC/50Hz	(3)	
	170D	FMAC-0934-5010	Three-phase 480V 35A	10 mA 440VAC/50Hz	(2)	
	210D, 260D	HF3050C-UQC	Three-phase 480V 50A	440VAC/50Hz	(3)	
	280D, 370D	HF3080C-UQB	Three-phase 480V 80A			

Note: RoHS-compliant models are not available. Contact the manufactures when in need of an RoHS-compliant model.

#### IMPORTANT

Some noise filters have large leakage currents. The grounding measures taken also affect the extent of the leakage current. If necessary, select an appropriate leakage current detector or leakage current breaker taking into account the grounding measures that are used and leakage current from the noise filter. Contact the manufacturer of the noise filter for details



## Noise Filters

- External Dimensions (Units: mm)
- (1) FN Type (by Schaffner EMC, Inc.)

Model		FN2070-6/07	FN2070-10/07	FN2070-16/07	
Dimensional Drawings					
		Connection Lead P/N/E			
External Dimensions	Code	Dimensions			
	A	113.5±1	156±1	119±0.5	
	B	57.5±1		85.5±1	
	C	45.4±1.2		57.6±1	
	D	94±1	130.5±1	98.5±1	
	F	103±0.3	143±0.3	109±0.3	
	J	25±0.2		40±0.2	
	K	8.4±0.5		8.6±0.5	
	L	32.4±0.5		-	
	M	4.4±0.1	5.3±0.1	4.4±0.1	
	N	6±0.1		7.4±0.1	
	P	0.9±0.1		1.2±0.1	
	Q	-		66±0.3	
R	-		51±0.2		
S	38±0.5		-		

Model	FN350-30/33
Dimensional Drawings	

# Noise Filters

## (2) FN Type and HF Type

Model	FN Type [by Schaffner EMC, Inc.]		HF Type [by SOSHIN ELECTRIC CO., LTD.]		
	FN258L-7/07	FN258L-16/07	HF3020C-UQC HF3030C-UQC	HF3050C-UQC HF3060C-UQC	
Dimensional Drawings					
External Dimensions mm	Code	Dimensions		Dimensions	
	A	225±1	305±1	236	256
	B	126±0.8	142±0.8	221	241
	C	50±0.6	55±0.6	206	226
	D	225±0.8	275±0.8	184	204
	E	240±0.5	290±0.5	105	115
	F	25±0.3	30±0.3	90	100
	G	6.5±0.2		76	86
	H	300±10		122	127
	J	1±0.1		5.5x7 Dia.	5.5x7 Dia.
	K	-		M5	M5
	L	9±1		M5	M5
	M	-		16	16
	N	-		13	13
O	M5		51.4	51.4	
P	AWG16	AWG14	13	13	
Q	-		61.1	61.1	

## (3) HF Type and FS Type

Model	HF Type [by SOSHIN ELECTRIC CO., LTD.]	FMAC Type [by Schurter, Inc.]
	HF3080C-UQB HF3100C-UQB	FMAC-0934-5010
External Dimensions mm		

## Surge Absorber

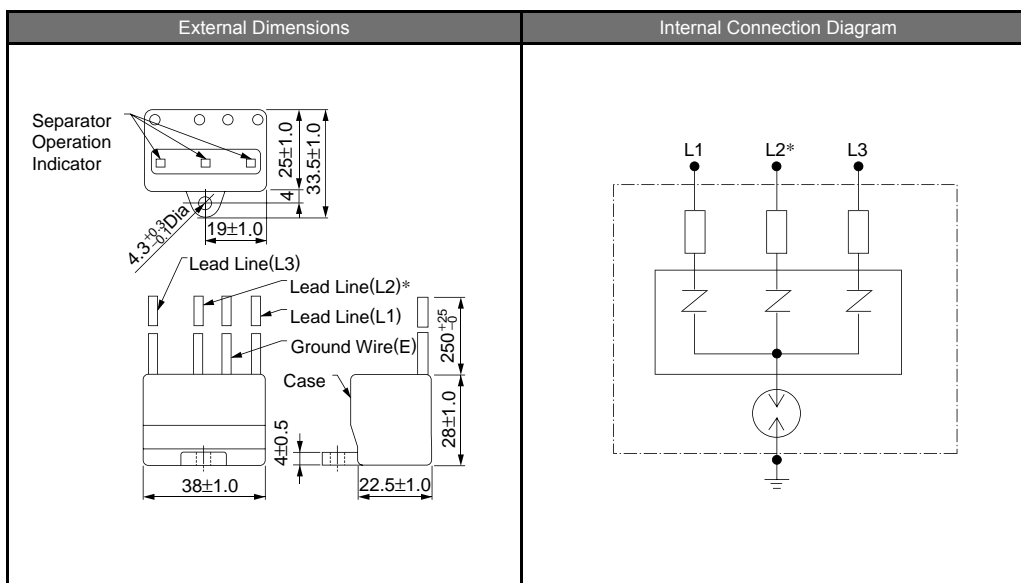
### ● Surge Absorber Selection

The surge absorber (for lightning surge) absorbs lightning surge and prevents faulty operation in or damage to electronic circuits.

Main Circuit Power Supply	SERVOPACK Model SGDV-	Recommended Surge Absorber
Single-phase 100 V	□□□F	LT-C12G801WS
Three-phase 200 V	□□□A	LT-C32G801WS
Three-phase 400 V	□□□D	LT-C35G102WS

### ● External Dimensions (Units: mm)

Model: LT-C32G801WS, LT-C35G102WS, LT-C12G801WS [by SOSHIN ELECTRIC CO., LTD.]



\*: No L2 is on the LT-C12G801WS surge absorber.

# Magnetic Contactors

## ● Magnetic Contactor Selection

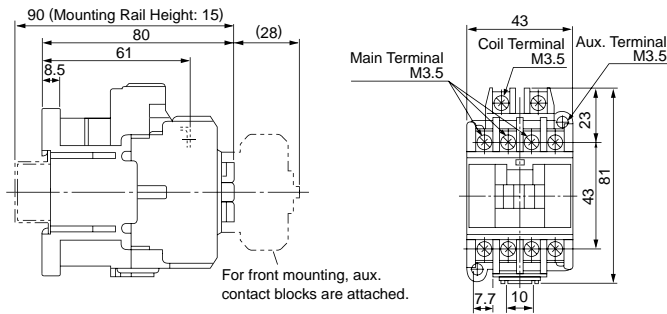
A magnetic contactor is required to make the AC power to SERVOPACK ON/OFF sequence externally. Be sure to attach a surge absorber (for switching surge) (surge absorber unit etc.) to the excitation coil of the magnetic contactor.

Main Circuit Power Supply	SERVOPACK Model SGDV-	Magnetic Contactor	
		Model	Specifications
Single-phase 100 V	R70F,R90F,2R1F	SC-03	(RoHS)
	2R8F	SC-4-1	(RoHS)
Three-phase 200 V	R70A,R90A,1R6A,2R8A,3R8A	SC-03	(RoHS)
	5R5A,7R6A,120A	SC-4-1	(RoHS)
	180A,200A	SC-5-1	(RoHS)
	330A, 470A	SC-N1	(RoHS)
	550A	SC-N2	(RoHS)
	590A	SC-N2S	(RoHS)
Three-phase 400 V	780A	SC-N3	(RoHS)
	1R9D,3R5D,5R4D	SC-4-1/G	Coil 24 VDC (RoHS)
	8R4D,120D	SC-5-1/G	Coil 24 VDC (RoHS)
	170D, 260D	SC-N1/G	Coil 24 VDC (RoHS)
	280D, 370D	SC-N2S/G	Coil 24 VDC (RoHS)

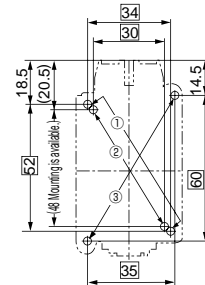
Note: Contact Fuji Electric FA Components & Systems Co., Ltd.

## ● External Dimensions (Units: mm)

### · SC-03



### Mounting Hole Dimensions



Aux. Contact	Structure
1a	
1b	

● Mounting methods : The following methods ①, ②, ③ are available.

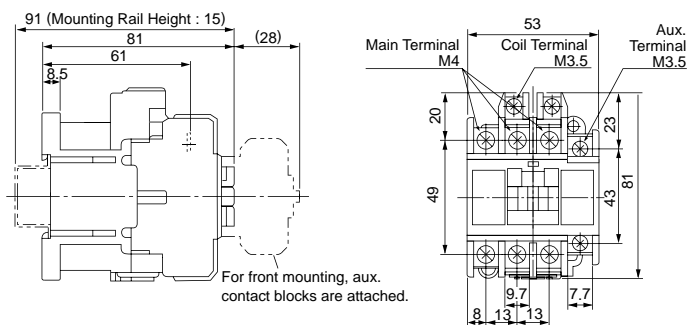
- ① ...34 × (48 to) 52
- ② ...30 × 48
- ③ ...35 × 60

● Mounting screw : 2-M4

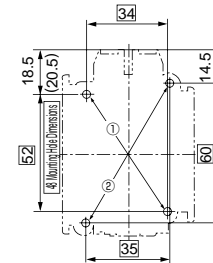
Use the two mounting holes on the diagonal line to mount a contactor.

Approx. Mass : 0.32 kg

### · SC-4-1



### Mounting Hole Dimensions



Aux. Contact	Structure
1a	
1b	

● Mounting methods : The following methods ①, w are available.

- ① ...34 × (48 to) 52
- w ...35 × 60

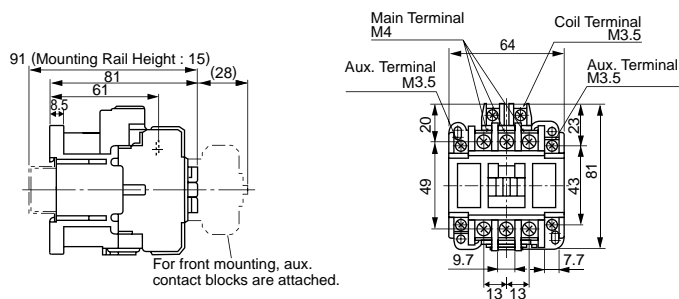
● Mounting screw : 2-M4

Use the two mounting holes on the diagonal line to mount a contactor.

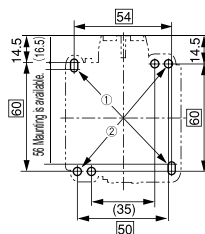
Approx. Mass : 0.36 kg

Magnetic Contactor

· SC-5-1



Mounting Hole Dimensions

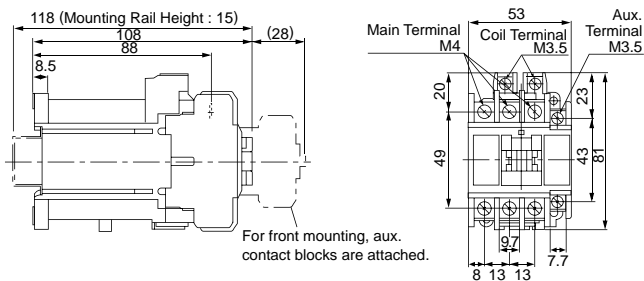


Aux. Contact	Structure
2a	
1a1b	
2b	

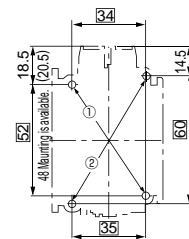
- Mounting methods : The following methods ①, ② are available.
    - ①...54 × (56 to) 60
    - ②...50 × 60
  - Mounting screw : 2-M4
- Use the two mounting holes on the diagonal line to mount a contactor.

Approx. Mass: 0.38 kg

· SC-4-1/G



Mounting Hole Dimensions

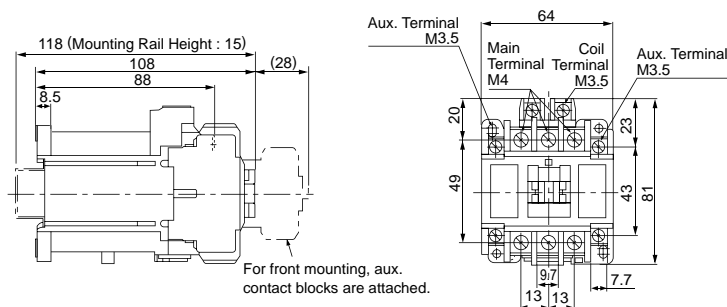


Aux. Contact	Structure
1a	
1b	

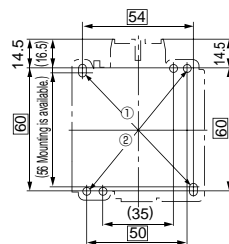
- Mounting methods : The following methods ①, ② are available.
    - ①...34 × (48 to) 52
    - ②...35 × 60
  - Mounting screw : 2-M4
- Use the two mounting holes on the diagonal line to mount a contactor.

Approx. Mass : 0.6 kg

· SC-5-1/G



Mounting Hole Dimensions



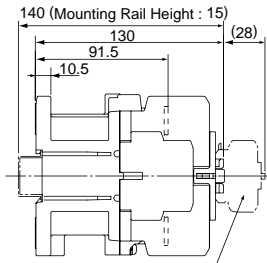
Aux. Contact	Structure
2a	
1a1b	
2b	

- Mounting methods : The following methods ①, ② are available.
    - ①...54 × (56 to) 60
    - ②...50 × 60
  - Mounting screw : 2-M4
- Use the two mounting holes on the diagonal line to mount a contactor.

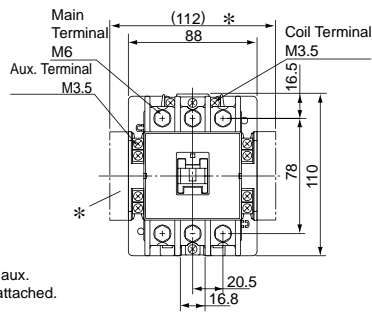
Approx. Mass : 0.62 kg

# Magnetic Contactor

## SC-N2S/G

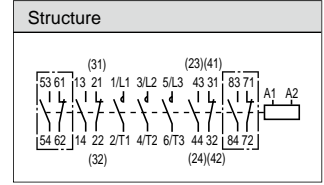
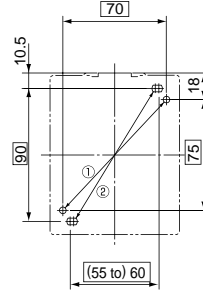


For front mounting, aux. contact blocks are attached.



\*: For two side mounting, aux. contact blocks are attached.

### Mounting Hole Dimensions



Approx. Mass: 1.4 kg

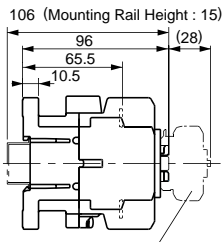
● Mounting methods : The following methods ①, ② are available.

①...70 × 75 ②... (55 to) 65 × 90

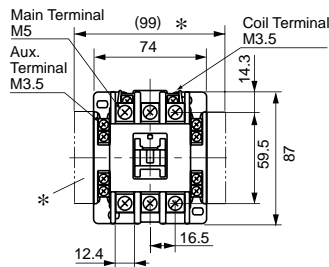
● Mounting screw : 2-M4

Use the two mounting holes on the diagonal line to mount a contactor.

## SC-N1, SC-N2

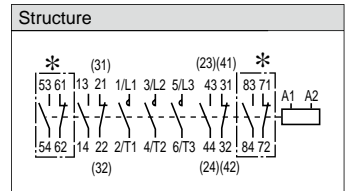
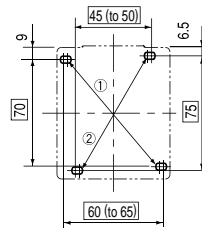


For front mounting, aux. contact blocks are attached.



\*: For two side mounting, aux. contact blocks attached.

### Mounting Hole Dimensions



\*: These contacts are used if the auxiliary contacts consist of four normally open (NO) and four normally close (NC) contacts.

Note: The terminals of the auxiliary contacts are numbered differently than conventional terminals. The numbers in parentheses use the conventional method.

Approx. Mass: 0.59 kg

● Mounting methods :

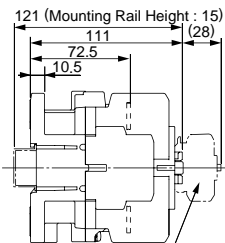
The following methods ①, ② are available.

①...70 × 75 ②... (55 to) 65 × 90

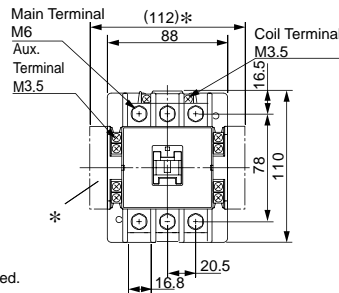
● Mounting screw : 2-M4

Use the two mounting holes on the diagonal line to mount a contactor.

## SC-N2S, SC-N3

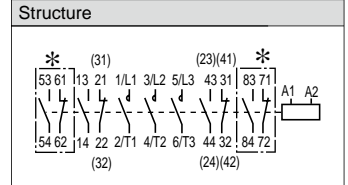
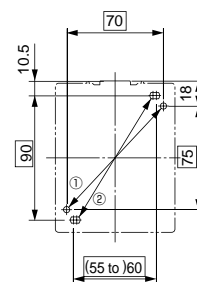


For front mounting, aux. contact blocks are attached.



\*: For two side mounting, aux. contact blocks attached.

### Mounting Hole Dimensions



\*: These contacts are used if the auxiliary contacts consist of four normally open (NO) and four normally close (NC) contacts.

Note: The terminals of the auxiliary contacts are numbered differently than conventional terminals. The numbers in parentheses use the conventional method.

Approx. Mass: 1.1 kg

● Mounting methods :

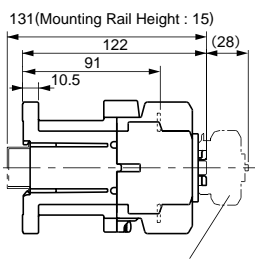
The following methods ①, ② are available.

①...70 × 75 ②... (55 to) 60 × 90

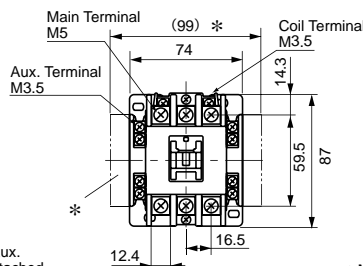
● Mounting screw : 2-M4

Use the two mounting holes on the diagonal line to mount a contactor.

## SC-N1/G

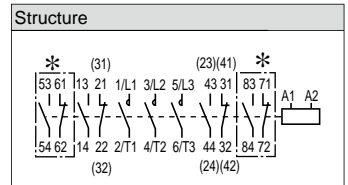
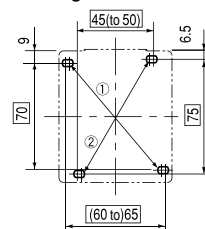


For front mounting, aux. contact blocks are attached.



\*: For two side mounting, aux. contact blocks attached.

### Mounting Hole Dimensions



\*: These contacts are used if the auxiliary contacts consist of four normally open (NO) and four normally close (NC) contacts.

Note: The terminals of the auxiliary contacts are numbered differently than conventional terminals. The numbers in parentheses use the conventional method.

Approx. Mass: 0.82 kg

● Mounting methods :

The following methods ①, ② are available

①... (60 to) 65 × 70 ②... 45 (to 50) × 70

● Mounting screw : 2-M4

Use the two mounting holes on the diagonal line to mount a contactor.

## AC/DC Reactors

## ● Selection

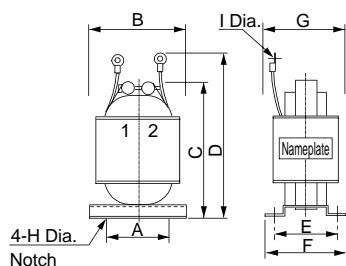
If power supply harmonic suppression is needed, connect a DC reactor between the three-phase 200 V or three-phase 400 V SERVOPACK main circuit terminals ⊖1 and ⊖2. Also, connect an AC reactor to single-phase 100 V SERVOPACK main circuit terminal L1 in series.

Select AD/DC reactors according to the SERVOPACK ratings.

Main Circuit Power Supply	SERVOPACK SGD V-	AC/DC Reactor Model	Inductance mH	Rated Current A
Single-phase 100 V	R70F	X5053	20.0	2.0
	R90F			
	2R1F	X5054	5.0	3.0
	2R8F	X5056	2.0	5.0
Three-phase 200 V	R70A	X5061	2.0	4.8
	R90A			
	1R6A			
	2R8A			
	3R8A			
	5R5A			
	7R6A			
	120A	X5060	1.5	8.8
	180A			
	200A	X5059	1.0	14.0
	330A	X5068	0.47	26.8
470A	-	-	-	
550A				
590A				
780A				
Three-phase 400 V	1R9D	X5074	4.7	1.5
	3R5D	X5075	3.3	4.5
	5R4D			
	8R4D	X5076	2.2	8.6
	120D			
	170D	X5077	1.5	14.1
	210D			
	260D	-	-	-
	280D			
	370D			

Note: RoHS-compliant models are not available. The last digit of an RoHS-compliant model number is R. Contact the manufacturers when selecting an RoHS-compliant model.

## ● External Dimensions (Units: mm)



AC/DC Reactor Model	External Dimensions									Approx. Mass kg
	A	B	C	D	E	F	G	H Dia.	I Dia.	
X5053	35	52	90	105	35	45	50	4	4.3	0.6
X5054	35	52	80	95	30	40	45	4	4.5	0.4
X5056	35	52	80	95	30	40	45	4	4.3	0.4
X5059	50	74	125	140	35	45	60	5	5.3	1.1
X5060	40	59	105	140	35	45	60	5	5.3	1.1
X5061	35	52	80	95	35	45	50	4	4.3	0.5
X5068	50	74	125	155	53	66	75	5	6.4	1.9
X5074	30	47	70	85	28	38	45	4	4.3	0.3
X5075	40	59	100	120	40	50	55	4	4.3	0.9
X5076	50	74	125	140	35	45	60	5	4.3	1.1
X5077	50	74	125	155	53	66	75	5	5.3	1.9

# Holding Brake Power Supply Unit

## ● Holding Brake Power Supply Unit

### IMPORTANT

- We recommend opening or closing the circuit for the holding brake's power supply so that switching will occur on the AC side of the holding brake power supply unit. This will reduce brake operation time compared to switching on the DC side.
- When switching on the DC side, install an extra surge absorber (for lightning surge) apart from the surge absorber (for lightning surge) built in the brake circuit near the brake coil, in order to prevent damage to the brake coil from surge voltage.
- Holding brake power supply units for 24 VDC are not provided by Yaskawa. Please obtain these from other manufacturers. Do not connect holding brake power supply units for different output voltages to SERVOPACKs. Overcurrent may result in burning.

### ● Model

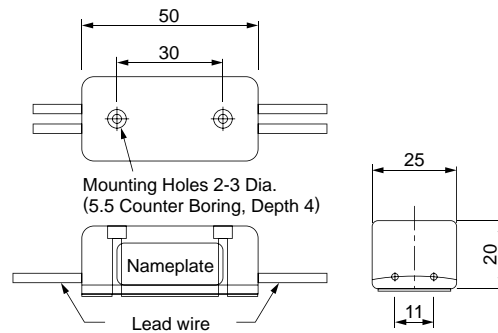
200 V input: LPSE-2H01-E  
 100 V input: LPDE-1H01-E

### ● Specifications

Rated output voltage: 90 VDC  
 Maximum output current: DC 1.0 A  
 Lead wire length: 500 mm each  
 Maximum ambient temperature: 60°C  
 Lead wires: Color coded (refer to the table below)

AC input		Brake end
100 V	200 V	
Blue/white	Yellow/white	Red/black

### ● External Dimensions (Units: mm)

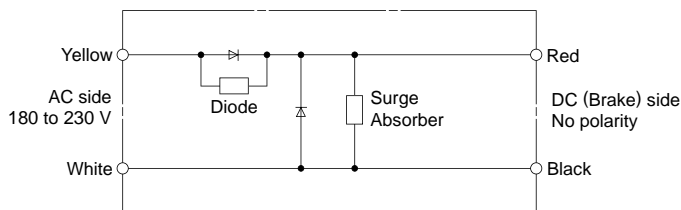


### ● Internal Circuits

We recommend opening or closing the circuit for the holding brake's power supply so that switching will occur on the AC side of the holding brake power supply unit. This will reduce brake operation time compared to switching on the DC side. When switching on the DC side, install an extra surge absorber apart from the surge absorber built in the brake circuit near the brake coil, in order to prevent damage to the brake coil from surge voltage.

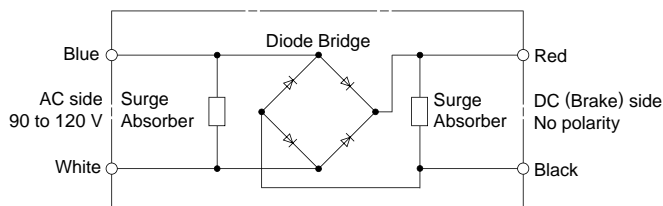
#### Brake Power Supply for 200 VAC

Internal Circuit for Model: LPSE-2H01-E



#### Brake Power Supply for 100 VAC

Internal Circuit for Model: LPDE-1H01-E





## Regenerative Resistors

### ● Regenerative Power and Regenerative Resistance

The rotational energy of driven machine such as servomotor is returned to the SERVOPACK. This is called regenerative power. The regenerative power is absorbed by charging the smoothing capacitor, but when the chargeable energy is exceeded, the regenerative power is further consumed by the regenerative resistor.

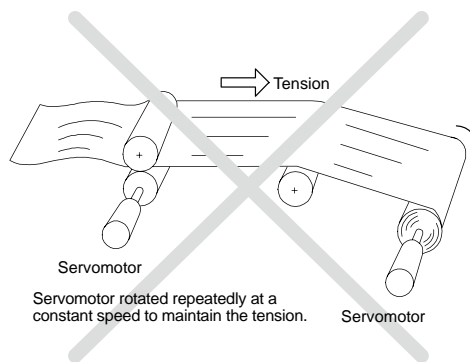
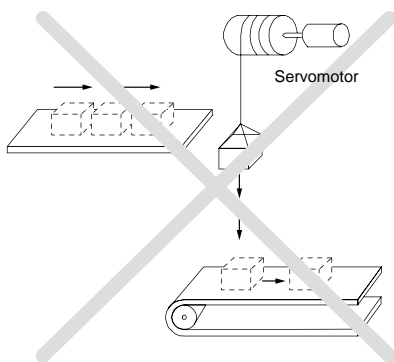
The servomotor is driven in regeneration state in the following circumstances:

- While decelerating to a stop during acceleration and deceleration operation.
- Continuous operation on the vertical axis.
- During continuous operation with the servomotor rotated from the load side (negative load).

A servomotor may not be operated with an overhanging load, which tends to continuously rotate the motor. following figures show a typical example of such a load.

● DO NOT use the servomotor with the Vertical Axis Motor Drive without Counterweight

● DO NOT use the servomotor with the Feeding Motor Drive



#### IMPORTANT

- Never operate servomotors with an overhanging load. Doing so will cause the SERVOPACKs' regenerative brake to be applied continuously and the regenerative energy of the load may exceed the allowable range causing damage to the SERVOPACK.
- The regenerative brake capacity of the SGD V SERVOPACKs is rated for short-term operation approximately equivalent to the time it takes to decelerate to a stop.

External regenerative resistors are sometimes required by the AC servo drive capacity selection program SigmaJunmaSize+. When using an external regenerative resistor, parameter Pn600 must be set.

For details, refer to 3.6.2 Setting Regenerative Resistor Capacity on “ $\Sigma$ -V Series User's Manual Design and Maintenance.” (manual no. SIEP S800000 45)

### ● Regenerative Resistor Selection

Select regenerative resistors in the following manner. External resistors are to be provided by users.

Voltage	SERVOPACK Model SGD V-	Built-in Regenerative Resistor	Necessity of External Regenerative Resistors	Necessity of External Regenerative Resistors
Single-phase 100 V	□□□F	None	Basically Not Required	No built-in regenerative resistor is provided, however, normally an external regenerative resistor is not required. Install external regenerative resistors when the smoothing capacitor in SERVOPACK cannot process all the regenerative power.
Three-phase 200 V	R70A, R90A, 1R6A, 2R8A	Standard Equipment <sup>*1</sup>	Basically Not Required	A built-in regenerative resistor is provided as standard. Install external regenerative resistors when the built-in regenerative resistor cannot process all the regenerative power.
	3R8A, 5R5A, 7R6A 120A, 180A, 200A, 330A			
Three-phase 400 V	470A, 550A 590A, 780A	None	Required <sup>*2</sup>	No built-in regenerative resistor is provided, so the external regenerative resistor is required. If the external resistor is not connected with the SERVOPACK, the alarm 300 is detected as a regeneration error alarm.
	1R9D, 3R5D, 5R4D 8R4D, 120D, 170D	Standard Equipment <sup>*1</sup>	Basically Not Required	A built-in regenerative resistor is provided as standard. Install external regenerative resistors when the built-in regenerative resistor cannot process all the regenerative power.
Three-phase 400 V	210D, 260D, 280D, 370D	None	Required <sup>*2</sup>	No built-in regenerative resistor is provided, so the external regenerative resistor is required. If the external resistor is not connected with the SERVOPACK, the alarm 300 is detected as a regeneration error alarm.

\*1: For specifications of built-in regenerative resistors, refer to the next page.

\*2: Regenerative resistor units are available. For details, refer to page 337.

# Regenerative Resistors

## ● Specifications of Built-in Regenerative Resistor

The following table shows the specifications of the SERVOPACK's built-in resistor and the amount of regenerative power (average values) that it can process.

Applicable SERVOPACK SGDV-	Specifications of Built-in Resistor		Regenerative Power Processed by Built-in Resistor <sup>1</sup> W	Minimum Allowable Resistance Ω	
	Resistance Ω	Capacity W			
Single-phase 100 V	□□□F	-	-	40	
Three-phase 200 V	R70A, R90A, 1R6A, 2R8A	-	-	40	
	3R8A, 5R5A, 7R6A	50	40	8	
	120A	20	50	10	
	180A, 200A	12	80	16	
	330A	8	180	36	
	470A	(6.25) <sup>2</sup>	(880) <sup>2</sup>	(180) <sup>2</sup>	5.8
	550A, 590A, 780A	(3.13) <sup>3</sup>	(1760) <sup>3</sup>	(350) <sup>3</sup>	2.9
Three-phase 400 V	1R9D, 3R5D, 5R4D	108	70	14	
	8R4D, 120D	45	140	28	
	170D	32	180	36	
	210D, 260D	(18) <sup>4</sup>	(880) <sup>4</sup>	(180) <sup>4</sup>	18
	280D, 370D	(14.25) <sup>5</sup>	(1760) <sup>5</sup>	(350) <sup>5</sup>	14.25

\*1: The average regenerative power that can be handled is 20% of the rated capacity of the regenerative resistor built into the SERVOPACK.

\*2: For the optional JUSP-RA04-E regenerative resistor unit.

\*3: For the optional JUSP-RA05-E regenerative resistor unit.

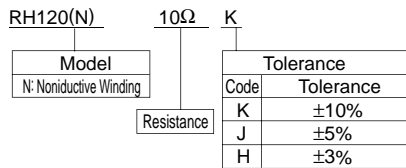
\*4: For the optional JUSP-RA18-E regenerative resistor unit.

\*5: For the optional JUSP-RA19-E regenerative resistor unit.

## ● References for External Resistor (by Iwaki Musen Kenkyusho Co., Ltd.)

Model	Specifications
RH120	70 W, 1 to 100 Ω
RH150	90 W, 1 to 100 Ω
RH220□	120 W, 1 to 100 Ω
RH300C	200 W, 1 to 10 kΩ
RH500	300 W, 1 to 30 Ω

Notes: 1 Contact the manufacturers when in need of an RoHS-compliant model.  
2 When using an external regenerative resistor, parameter Pn600 must be set.  
For details, refer to 3.6.2 Setting Regenerative Resistor Capacity on "J-V Series User's Manual Design and Maintenance." (manual no. SIEP S800000 45)



## ● Specifications

Resistance Tolerance	K : ±10% J : ±5% H : ±3%
Temperature Resistance Characteristics	±400PPM / °C (20 Ω max.), ±260PPM / °C (20 Ω min.)
Withstand Voltage	2000 VAC / min. ΔR: ± (0.1%+0.05 Ω)
Insulation Resistance	500 VDC, 20 MΩ min.
Short-time Overload	When 10 times of rated power is applied for five seconds, ΔR: ± (2%+0.05 Ω)
Life	1000 hours of repeating the operation ON for 90 minutes and OFF for 30 minutes, ΔR: ± (5%+0.05 Ω)
Heat Resistance	Not ignite after having applied 10 times of rated power for one minute
Operating temperature	-25°C to +150°C

## ● External Dimensions (Units: mm)

RH120, 150, 220	RH220B																																												
<table border="1"> <thead> <tr> <th>Model</th> <th>Rated Power</th> <th>Resistance</th> </tr> </thead> <tbody> <tr> <td>RH120</td> <td>70 W</td> <td>1Ω to 100Ω</td> </tr> <tr> <td>RH150</td> <td>90 W</td> <td>1Ω to 100Ω</td> </tr> <tr> <td>RH220</td> <td>120 W</td> <td>1Ω to 100Ω</td> </tr> </tbody> </table> <table border="1"> <thead> <tr> <th>Dimensions</th> <th>A</th> <th>B</th> <th>C</th> <th>D</th> <th>E</th> <th>F</th> <th>G</th> </tr> </thead> <tbody> <tr> <td>RH120</td> <td>182</td> <td>150</td> <td>172</td> <td>16</td> <td>42</td> <td>22</td> <td>20</td> </tr> <tr> <td>RH150</td> <td>212</td> <td>180</td> <td>202</td> <td>16</td> <td>44</td> <td>24</td> <td>30</td> </tr> <tr> <td>RH220</td> <td>230</td> <td>200</td> <td>220</td> <td>15</td> <td>60</td> <td>24</td> <td>20</td> </tr> </tbody> </table>	Model	Rated Power	Resistance	RH120	70 W	1Ω to 100Ω	RH150	90 W	1Ω to 100Ω	RH220	120 W	1Ω to 100Ω	Dimensions	A	B	C	D	E	F	G	RH120	182	150	172	16	42	22	20	RH150	212	180	202	16	44	24	30	RH220	230	200	220	15	60	24	20	
Model	Rated Power	Resistance																																											
RH120	70 W	1Ω to 100Ω																																											
RH150	90 W	1Ω to 100Ω																																											
RH220	120 W	1Ω to 100Ω																																											
Dimensions	A	B	C	D	E	F	G																																						
RH120	182	150	172	16	42	22	20																																						
RH150	212	180	202	16	44	24	30																																						
RH220	230	200	220	15	60	24	20																																						

## External Regenerative Resistor

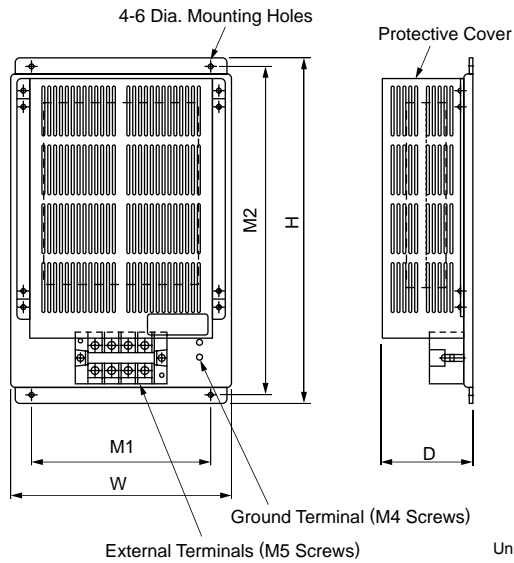
### ● Regenerative Resistor Unit

SERVOPACK Model SGD V-	Regenerative Resistor Unit Model	Specifications	Allowable Power Loss
470A	JUSP-RA04-E	6.25 $\Omega$ , 880 W	180 W
550A, 590A, 780A	JUSP-RA05-E	3.13 $\Omega$ , 1760 W	350 W
210D, 260D	JUSP-RA18-E	18 $\Omega$ , 880 W	180 W
280D, 370D	JUSP-RA19-E	14.25 $\Omega$ , 1760 W	350 W

Note: Only when using the regenerative resistors above, parameter Pn600 does not need to be set.

### ● External Dimensions

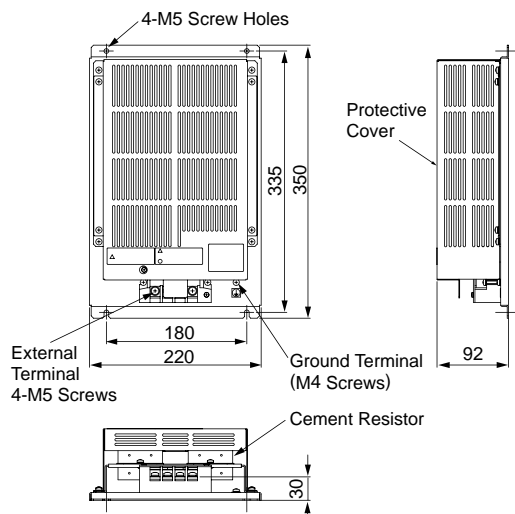
#### (1) JUSP-RA04-E, -RA05-E



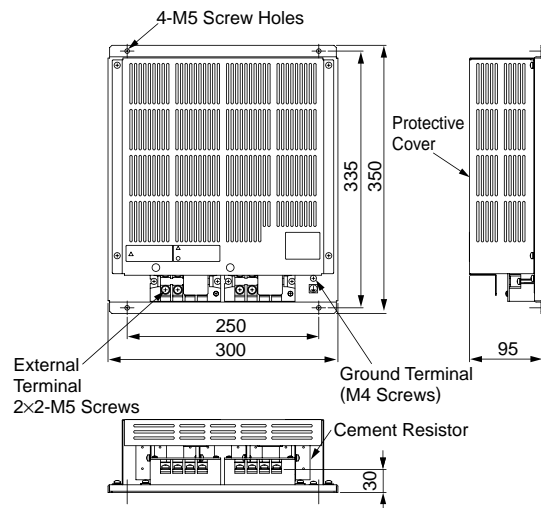
Units: mm

Model	W	H	D	M1	M2	Approx. Mass
JUSP-RA04-E	220	350	92	180	335	4 kg
JUSP-RA05-E	300	350	95	250	335	7 kg

#### (2) JUSP-RA18-E



#### (3) JUSP-RA19-E





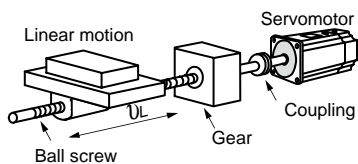
# Selecting Servomotor Capacity and Regenerative Capacity

## Servomotor Capacity Selection Examples

Use the AC servo drive capacity selection program SigmaJunmaSize+ to select servomotor capacity. The program can be downloaded for free from our web site (<http://www.e-mechatronics.com/>).

### ● Selection Example for Speed Control

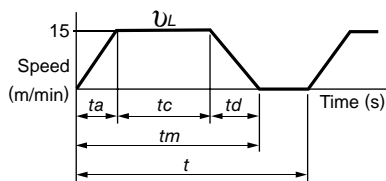
#### Mechanical Specifications



- Load speed:  $v_L = 15$  m/min
- Linear motion section mass:  $m = 250$  kg
- Ball screw length:  $\ell_B = 1.0$  m
- Ball screw diameter:  $d_B = 0.02$  m
- Ball screw lead:  $P_B = 0.01$  m
- Ball screw material density:  $\rho = 7.87 \times 10^3$  kg/m<sup>3</sup>
- Gear ratio:  $1/2$  ( $R = 2$ )

- Gear + coupling moment of inertia :  $J_G = 0.40 \times 10^{-4}$  kg·m<sup>2</sup>
- Feeding times:  $n = 40$  times/min
- Feeding distance:  $\ell = 0.275$  m
- Feeding time:  $tm = 1.2$  s max.
- Friction coefficient:  $\mu = 0.2$
- Mechanical efficiency:  $\eta = 0.9$  (90%)

#### (1) Speed Diagram



$$t = \frac{60}{n} = \frac{60}{40} = 1.5 \text{ (s)}$$

where  $t_a = t_d$

$$t_a = tm - \frac{60\ell}{v_L} = 1.2 - \frac{60 \times 0.275}{15} = 1.2 - 1.1 = 0.1 \text{ (s)}$$

$$t_c = 1.2 - 0.1 \times 2 = 1.0 \text{ (s)}$$

#### (2) Rotation Speed

· Load axis rotation speed  $n_L = \frac{v_L}{P_B} = \frac{15}{0.01} = 1500 \text{ (min}^{-1}\text{)}$

· Motor shaft rotation speed Gear ratio  $1/R = 1/2$  ( $R=2$ )

Therefore,  $n_M = n_L \cdot R = 1500 \times 2 = 3000 \text{ (min}^{-1}\text{)}$

#### (3) Load torque

$$T_L = \frac{9.8\mu \cdot m \cdot P_B}{2\pi R \cdot \eta} = \frac{9.8 \times 0.2 \times 250 \times 0.01}{2\pi \times 2 \times 0.9} = 0.43 \text{ (N} \cdot \text{m)}$$

#### (4) Load Moment of Inertia

· Linear motion section  $J_{L1} = m \left( \frac{P_B}{2\pi R} \right)^2 = 250 \times \left( \frac{0.01}{2\pi \times 2} \right)^2 = 1.58 \times 10^{-4} \text{ (kg} \cdot \text{m}^2\text{)}$

· Ball screw  $J_B = \frac{\pi}{32} \rho \cdot \ell_B \cdot d_B^4 \cdot \frac{1}{R^2} = \frac{\pi}{32} \times 7.87 \times 10^3 \times 1.0 \times (0.02)^4 \cdot \frac{1}{2^2} = 0.31 \times 10^{-4} \text{ (kg} \cdot \text{m}^2\text{)}$

· Coupling  $J_G = 0.40 \times 10^{-4} \text{ (kg} \cdot \text{m}^2\text{)}$

· Load moment of inertia at motor shaft

$$J_L = J_{L1} + J_B + J_G = (1.58 + 0.31 + 0.40) \times 10^{-4} = 2.29 \times 10^{-4} \text{ (kg} \cdot \text{m}^2\text{)}$$

#### (5) Load Moving Power

$$P_O = \frac{2\pi n_M \cdot T_L}{60} = \frac{2\pi \times 3000 \times 0.43}{60} = 135 \text{ (W)}$$

## Servomotor Capacity Selection Examples

### (6) Load Acceleration Power

$$P_a = \left( \frac{2\pi}{60} n_M \right)^2 \frac{J_L}{ta} = \left( \frac{2\pi}{60} \times 3000 \right)^2 \times \frac{2.29 \times 10^{-4}}{0.1} = 226 \text{ (W)}$$

### (7) Servomotor Provisional Selection

- (a) Selecting Conditions
- $T_L \leq$  Motor rated torque
  - $\frac{(P_o + P_a)}{2} <$  Provisionally selected servomotor rated output  $< (P_o + P_a)$
  - $n_M \leq$  Motor rated speed
  - $J_L \leq$  Allowable load moment of inertia

The followings satisfy the conditions.

· Servomotor SGMJV-02A

### (b) Specifications of the Provisionally Selected Servomotor

- Rated output : 200 (W)
- Rated motor speed : 3000 ( $\text{min}^{-1}$ )
- Rated torque : 0.637 ( $\text{N}\cdot\text{m}$ )
- Instantaneous peak torque : 2.23 ( $\text{N}\cdot\text{m}$ )
- Servomotor moment of inertia :  $0.259 \times 10^{-4}$  ( $\text{kg}\cdot\text{m}^2$ )
- Allowable load moment of inertia :  $0.259 \times 10^{-4} \times 15 = 3.885 \times 10^{-4}$  ( $\text{kg}\cdot\text{m}^2$ )

### (8) Verification on the Provisionally Selected Servomotor

$$\cdot \text{Required acceleration torque: } T_P = \frac{2\pi n_M (J_M + J_L)}{60ta} + T_L = \frac{2\pi \times 3000 \times (0.259 + 2.29) \times 10^{-4}}{60 \times 0.1} + 0.43$$

$$\cong 1.23 \text{ (N}\cdot\text{m)} < \text{Instantaneous peak torque} \dots \text{Satisfactory}$$

$$\cdot \text{Required deceleration torque: } T_S = \frac{2\pi n_M (J_M + J_L)}{60td} - T_L = \frac{2\pi \times 3000 \times (0.259 + 2.29) \times 10^{-4}}{60 \times 0.1} - 0.43$$

$$\cong 0.37 \text{ (N}\cdot\text{m)} < \text{Instantaneous peak torque} \dots \text{Satisfactory}$$

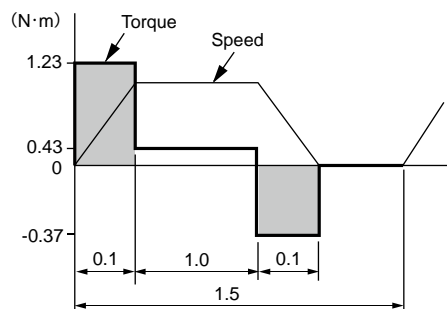
$$\cdot \text{Torque effective value: } T_{rms} = \sqrt{\frac{T_P^2 \cdot ta + T_L^2 \cdot tc + T_S^2 \cdot td}{t}} = \sqrt{\frac{(1.23)^2 \times 0.1 + (0.43)^2 \times 1.0 + (0.37)^2 \times 0.1}{1.5}}$$

$$\cong 0.483 \text{ (N}\cdot\text{m)} < \text{Rated torque} \dots \text{Satisfactory}$$

### (9) Result

The provisionally selected servomotor is confirmed to be applicable.

The torque diagram is shown below.

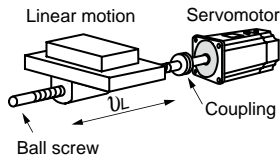


## Servomotor Capacity Selection Examples

Use the AC servo drive capacity selection program SigmaJunmaSize+ to select servomotor capacity.  
The program can be downloaded for free from our web site (<http://www.e-mechatronics.com/>).

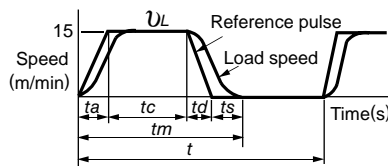
### ● Selection Example for Position Control

#### Mechanical Specifications



- Load speed:  $v_L = 15$  m/min
- Linear motion section mass:  $m = 80$  kg
- Ball screw length:  $l_B = 0.8$  m
- Ball screw diameter:  $d_B = 0.016$  m
- Ball screw lead:  $P_B = 0.005$  m
- Ball screw material density:  $\rho = 7.87 \times 10^3$  kg/m<sup>3</sup>
- Coupling mass:  $m_C = 0.3$  kg
- Coupling outer diameter:  $d_C = 0.03$  m
- Positioning times:  $n = 40$  times/min
- Positioning distance:  $l = 0.25$  m
- Positioning time:  $t_m = 1.2$  s max.
- Electrical stop accuracy:  $\delta = \pm 0.01$  mm
- Friction coefficient:  $\mu = 0.2$
- Mechanical efficiency:  $\eta = 0.9$  (90%)

#### (1) Speed Diagram



$$t = \frac{60}{n} = \frac{60}{40} = 1.5(\text{s})$$

$$\text{Where } t_a = t_d, t_s = 0.1(\text{s})$$

$$t_a = t_m - t_s - \frac{60l}{v_L} = 1.2 - 0.1 - \frac{60 \times 0.25}{15} = 0.1(\text{s})$$

$$t_c = 1.2 - 0.1 \times 2 = 1.0(\text{s})$$

#### (2) Rotation Speed

$$\cdot \text{Load axis rotation speed } n_L = \frac{v_L}{P_B} = \frac{15}{0.005} = 3000(\text{min}^{-1})$$

$$\cdot \text{Motor shaft rotation speed with direct coupling: Gear ratio } 1/R = 1/1$$

$$\text{Therefore, } n_M = n_L \cdot R = 3000 \times 1 = 3000 (\text{min}^{-1})$$

#### (3) Load Torque

$$T_L = \frac{9.8\mu \cdot m \cdot P_B}{2\pi R \cdot \eta} = \frac{9.8 \times 0.2 \times 80 \times 0.005}{2\pi \times 1 \times 0.9} = 0.139(\text{N}\cdot\text{m})$$

#### (4) Load Moment of Inertia

$$\cdot \text{Linear motion section } J_{L1} = m \left( \frac{P_B}{2\pi R} \right)^2 = 80 \times \left( \frac{0.005}{2\pi \times 1} \right)^2 = 0.507 \times 10^{-4}(\text{kg}\cdot\text{m}^2)$$

$$\cdot \text{Ball screw } J_B = \frac{\pi}{32} \rho \cdot l_B \cdot d_B^4 = \frac{\pi}{32} \times 7.87 \times 10^3 \times 0.8 \times (0.016)^4 = 0.405 \times 10^{-4}(\text{kg}\cdot\text{m}^2)$$

$$\cdot \text{Coupling } J_C = \frac{1}{8} m_C \cdot d_C^4 = \frac{1}{8} \times 0.3 \times (0.03)^4 = 0.338 \times 10^{-4}(\text{kg}\cdot\text{m}^2)$$

$$\cdot \text{Load moment of inertia at the motor shaft}$$

$$J_L = J_{L1} + J_B + J_C = 1.25 \times 10^{-4} (\text{kg}\cdot\text{m}^2)$$

## Servomotor Capacity Selection Examples

### (5) Load Moving Power

$$P_o = \frac{2\pi n_M \cdot T_L}{60} = \frac{2\pi \times 3000 \times 0.139}{60} = 43.7(\text{W})$$

### (6) Load Acceleration Power

$$P_a = \left( \frac{2\pi}{60} n_M \right)^2 \frac{J_L}{ta} = \left( \frac{2\pi}{60} \times 3000 \right)^2 \times \frac{1.25 \times 10^{-4}}{0.1} = 123.4(\text{W})$$

### (7) Provisionally Servomotor Selection

- (a) Selecting Conditions
- $T_L \leq$  Motor rated torque
  - $\frac{(P_o + P_a)}{2} <$  Provisionally selected servomotor rated output  $< (P_o + P_a)$
  - $n_M \leq$  Motor rated speed
  - $J_L \leq$  Allowable load moment of inertia

The followings satisfy the conditions.

· Servomotor SGMJV-01A

### (b) Specifications of Servomotor

- Rated output : 100 (W)
- Rated motor speed : 3000 ( $\text{min}^{-1}$ )
- Rated torque : 0.318 ( $\text{N}\cdot\text{m}$ )
- Instantaneous peak torque : 1.11 ( $\text{N}\cdot\text{m}$ )
- Servomotor rotor moment of inertia :  $0.0665 \times 10^{-4}$  ( $\text{kg}\cdot\text{m}^2$ )
- Allowable load moment of inertia :  $0.0665 \times 10^{-4} \times 20 = 1.33 \times 10^{-4}$  ( $\text{kg}\cdot\text{m}^2$ )
- Encoder resolution : 20 bit (1048576P/rev)

### (8) Verification on Provisionally Selected Servomotor

$$\cdot \text{Required acceleration torque: } T_P = \frac{2\pi n_M (J_M + J_L)}{60ta} + T_L = \frac{2\pi \times 3000 \times (0.0665 + 1.25) \times 10^{-4}}{60 \times 0.1} + 0.139$$

$$\cong 0.552 (\text{N}\cdot\text{m}) < \text{Instantaneous peak torque} \dots \text{Satisfactory}$$

$$\cdot \text{Required deceleration torque: } T_S = \frac{2\pi n_M (J_M + J_L)}{60td} - T_L = \frac{2\pi \times 3000 \times (0.0665 + 1.25) \times 10^{-4}}{60 \times 0.1} - 0.139$$

$$\cong 0.275 (\text{N}\cdot\text{m}) < \text{Instantaneous peak torque} \dots \text{Satisfactory}$$

$$\cdot \text{Torque effective value: } T_{rms} = \sqrt{\frac{T_P^2 \cdot ta + T_L^2 \cdot tc + T_S^2 \cdot td}{t}} = \sqrt{\frac{(0.552)^2 \times 0.1 + (0.139)^2 \times 0.9 + (0.275)^2 \times 0.1}{1.5}}$$

$$\cong 0.192 (\text{N}\cdot\text{m}) < \text{Rated torque} \dots \text{Satisfactory}$$

The above confirms that the provisionally selected servomotor is sufficient. In the next step, their performance in position control are checked.

## Servomotor Capacity Selection Examples

(9) PG Feedback Pulse Dividing Ratio: Setting of Electronic Gear Ratio

$$\left(\frac{B}{A}\right)$$

As the electrical stop accuracy  $\delta = \pm 0.01\text{mm}$ , take the position detection unit  $\Delta\ell = 0.01\text{mm/pulse}$ .

$$\frac{P_B}{\Delta\ell} \times \left(\frac{B}{A}\right) = \frac{5}{0.01} \times \left(\frac{B}{A}\right) = 1048576$$

$$k = \left(\frac{B}{A}\right) = \frac{1048576}{500}$$

(10) Reference Pulse Frequency

$$v_s = \frac{1000v_L}{60 \times \Delta\ell} = \frac{1000 \times 15}{60 \times 0.01} = 25,000(\text{pps})$$

(11) Error Counter Pulses

Position loop gain  $K_P = 40 (1/s)$

$$\varepsilon = \frac{v_s}{K_P} = \frac{25,000}{40} = 625(\text{pulse})$$

(12) Electrical Stop Accuracy

$$\pm \Delta\varepsilon = \pm \frac{\varepsilon}{(\text{SERVOPACK control range}) \times \frac{n_M}{n_R}} = \pm \frac{625}{5000 \times \frac{3000}{3000}} = \pm 0.125 < \pm 1(\text{pulse}) = \pm 0.01(\text{mm})$$

The above results confirm that the selected servomotor is applicable for the position control.



## Selecting Regenerative Resistors

### (1) Simple Calculation

When driving a servomotor with the horizontal axis, check the external regenerative resistor requirements using the calculation method shown below.

#### (a) SGD V-□□□F, -R70A, -R90A, -1R6A, and -2R8A SERVOPACKs

These SERVOPACKs do not have built-in regenerative resistors. The energy that can be charged with capacitors is shown in the following table. If the rotational energy in the servomotor exceeds these values, then connect an external regenerative resistor.

Voltage	Applicable SERVOPACK	Regenerative Energy that Can be Processed (joules)	Remarks
Single-phase 100 V	SGDV-R70F, R90F, 2R1F	26.4	Value when main circuit input voltage is 100 VAC
	SGDV-2R8F	44.1	
Three-phase 200V	SGDV-R70A, -R90A, -1R6A	24.2	Value when main circuit input voltage is 200 VAC
	SGDV-2R8A	31.7	

Calculate the rotational energy ( $E_s$ ) in the servomotor from the following equation:

$$E_s = J \times (nM)^2 / 182 \text{ (joules)}$$

$$J = J_M + J_L$$

- $J_M$ : Servomotor rotor moment of inertia ( $\text{kg}\cdot\text{m}^2$ )
- $J_L$ : Load converted to shaft moment of inertia ( $\text{kg}\cdot\text{m}^2$ )
- $nM$ : Rotation speed used by servomotor ( $\text{min}^{-1}$ )

#### (b) SERVOPACKs other than (a)

SERVOPACKs other than SGD V-□□□F, -R70A, -R90A, -1R6A, and -2R8A have built-in regenerative resistors. The allowable frequencies for just the servomotor in acceleration and deceleration operation, during the rotation speed cycle from 0 ( $\text{min}^{-1}$ ) to the maximum rotation speed to 0, are summarized in the following table.

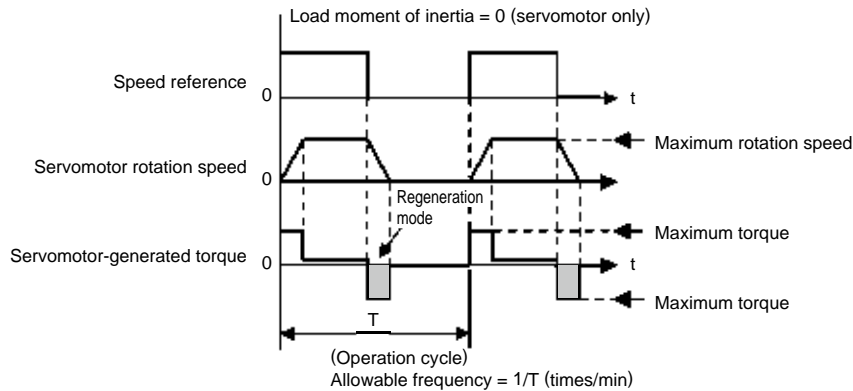
Convert the data into the values obtained with actual rotation speed and load moment of inertia to determine whether an external regenerative resistor is needed.

Voltage	Servomotor Model	Allowable Frequencies in Regenerative Mode (time/min)													
		03	05	06	08	09	10	13	15	20	25	30	40	44	50
Three-phase 200 V	SGMJV-□□	-	-	-	15	-	-	-	-	-	-	-	-	-	-
	SGMAV-□□	-	-	74	31	-	20	-	-	-	-	-	-	-	-
	SGMPS-□□	-	-	-	11	-	-	-	7	-	-	-	-	-	-
	SGMGV-□□A	39	29	-	-	6	-	6	-	7	-	9*	-	6	-
Three-phase 400V	SGMSV-□□A	-	-	-	-	-	13	-	21	28	21	10	16	-	12
	SGMGV-□□D	68	51	-	-	10	-	8	-	13	-	7	-	6	-
	SGMSV-□□D	-	-	-	-	-	24	-	30	49	38	17	16	-	12

\*: This value is "4," when used in combination with SGD V-200A SERVOPACK.

## Selecting Regenerative Resistors

### Operating Conditions for Allowable Regenerative Frequency Calculation



Use the following equation to calculate the allowable frequency for regeneration mode operation

$$\text{Allowable frequency} = \frac{\text{Allowable frequency for Servomotor only}}{(1+n)} \times \left( \frac{\text{Max. rotation speed}}{\text{Rotation speed}} \right)^2 (\text{time/min})$$

$$\cdot n = J_L / J_M$$

·  $J_M$ : Servomotor rotor moment of inertia ( $\text{kg}\cdot\text{m}^2$ )

·  $J_L$ : Load converted to shaft moment of inertia ( $\text{kg}\cdot\text{m}^2$ )

#### (c) SGD V-470A, -550A, -590A, -780A SERVOPACKs

These SERVOPACKs do not have built-in regenerative resistors. The following table shows the allowable regenerative frequencies when the JUSP-RA04-E or JUSP-RA05-E regenerative resistor is used together with an applicable SERVOPACK.

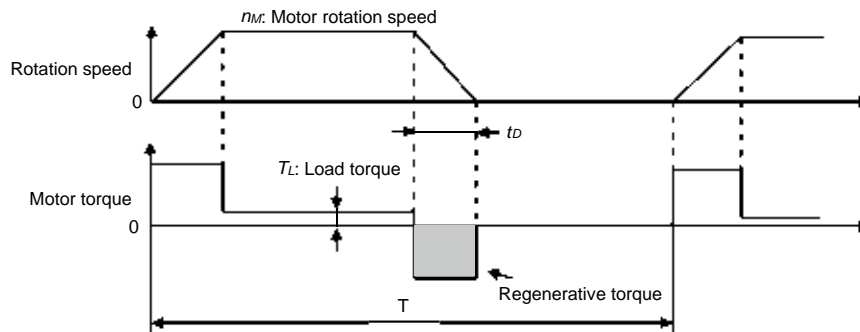
The servomotor driving conditions and the conversion equation for the allowable regenerative frequencies to the rotation speed and load moment of inertia are the same as that shown in (b) on the previous page.

Voltage	Servomotor Model	Allowable Frequencies in Regenerative Mode (time/min)				
		55	70	75	1A	1E
Three-phase 200 V	SGMGV-□□A	24	–	34	39	31
	SGMSV-□□A	–	124	–	–	–

## Selecting Regenerative Resistors

### (2) Calculating the Regenerative Energy

This section shows the procedure for calculating the regenerative resistor capacity when acceleration and deceleration operation is as shown in the following diagram



#### ● Calculation Procedure

The procedure for calculating the regenerative capacity is as follows:

Step	Item	Symbol	Equation
1	Calculate the rotational energy of the servomotor.	$E_s$	$E_s = Jn_m^2 / 182$
2	Calculate the energy consumed by load loss during the deceleration period	$E_L$	$E_L = (\pi / 60) n_m T_L t_d$
3	Calculate the energy lost from servomotor winding resistance.	$E_M$	(Value calculated from (4) Servomotor Winding Resistance Loss diagrams) $\times t_d$
4	Calculate the SERVOPACK energy that can be absorbed.	$E_C$	Calculate from (3) SERVOPACK's Absorbable Energy diagrams.
5	Calculate the energy consumed by the regenerative resistor.	$E_K$	$E_K = E_s - (E_L + E_M + E_C)$
6	Calculate the required regenerative resistor capacity (W).	$W_K$	$W_K = E_K / (0.2 \times T)$

Note: 1 The "0.2" in the equation for calculating  $W_K$  is the value for when the regenerative resistor's utilized load ratio is 20%.

2 The units for the various symbols are as follows:

$E_s$  to  $E_K$ : Energy joules (J)

$W_K$ : Regenerative resistor required capacity (W)

$J$ : ( $= J_M + J_L$ ) (kg·m<sup>2</sup>)

$n_m$ : Servomotor rotation speed (min<sup>-1</sup>)

$T_L$ : Load torque (N·m)

$t_d$ : Deceleration stopping time (s)

$T$ : Servomotor repeat operation period (s)

If the above calculation determines that the amount of regenerative power ( $W_K$ ) processed by the built-in resistor is not exceeded, then an external regenerative resistor is not required. Refer to Specifications of Built-in Regenerative Resistor on page 336 for regenerative resistors built into SERVOPACKs. If the amount of regenerative power that can be processed by the built-in resistor is exceeded, then install an external regenerative resistor for the capacity obtained from the above calculation.

If the energy consumed by load loss (in step 2 above) is unknown, then perform the calculation using  $E_L = 0$ .

When the operation period in regeneration mode is continuous, add the following items to the above calculation procedure in order to find the required capacity (W) for the regenerative resistor.

- Energy for continuous regeneration mode operation period:  $E_G$  (joules)
- Energy consumed by regenerative resistor:  $E_K = E_s - (E_L + E_M + E_C) + E_G$
- Required capacity of regenerative resistor:  $W_K = E_K / (0.2 \times T)$

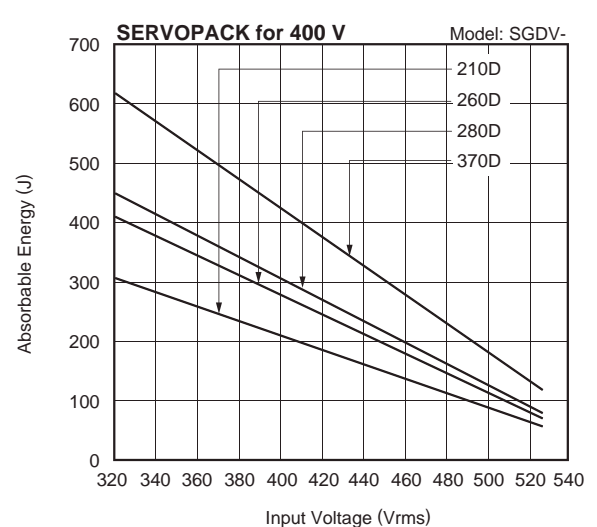
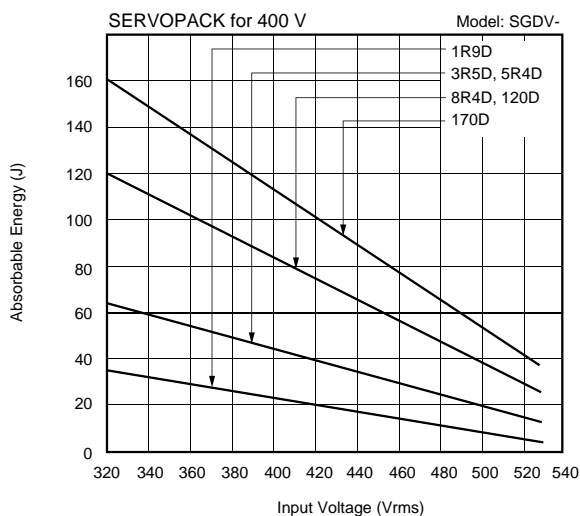
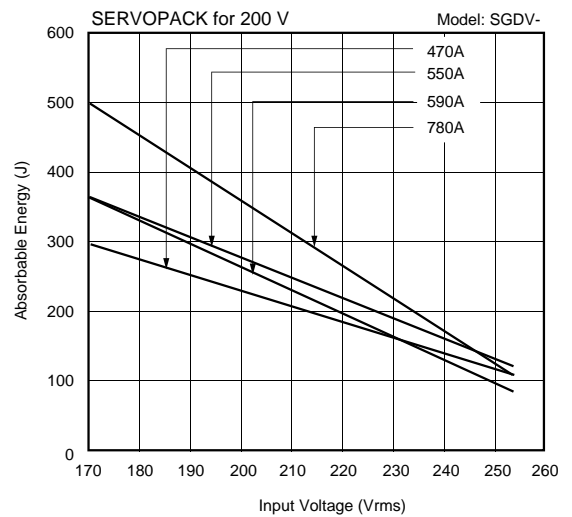
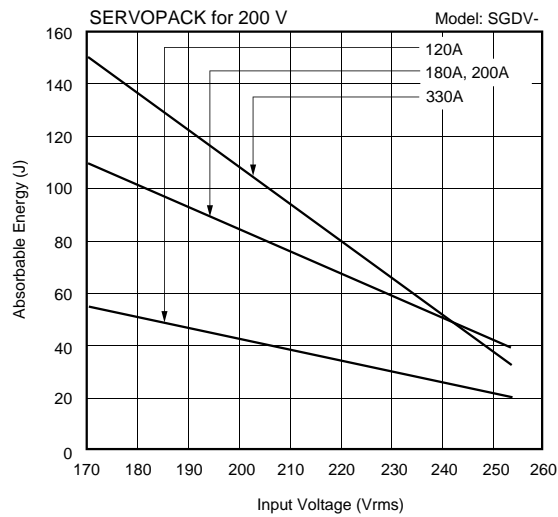
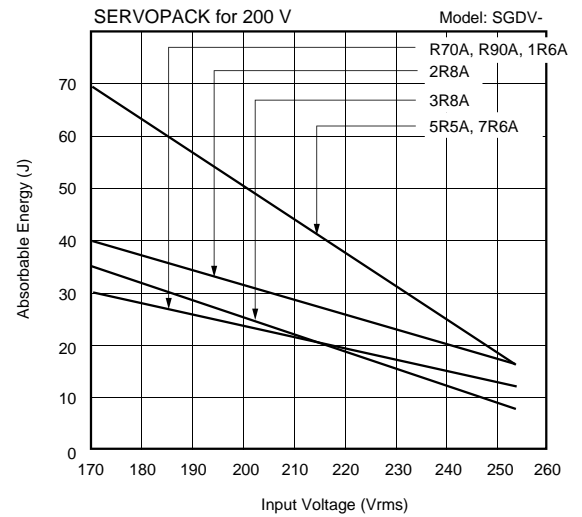
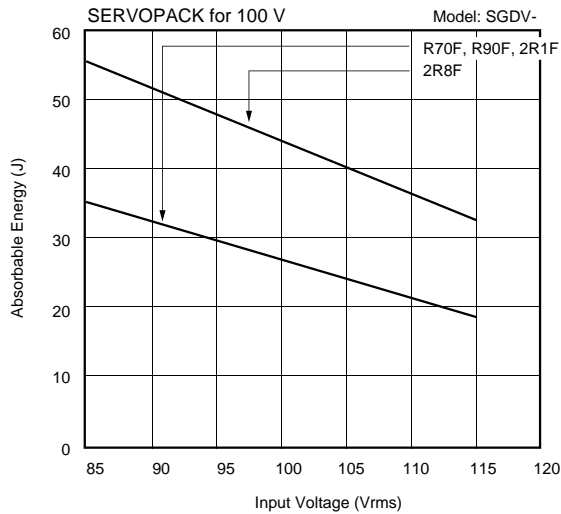
Here,  $E_G = (2\pi / 60) n_m G T_G t_G$

- $T_G$  : Servomotor's generated torque in continuous regeneration mode operation period (N·m)
- $n_m G$  : Servomotor rotation speed for same operation period as above (min<sup>-1</sup>)
- $t_G$  : Same operation period as above(s)

## Selecting Regenerative Resistors

### (3) SERVOPACK's Absorbable Energy

The following diagrams show the relationship between the SERVOPACK's input power supply voltage and its absorbable energy.

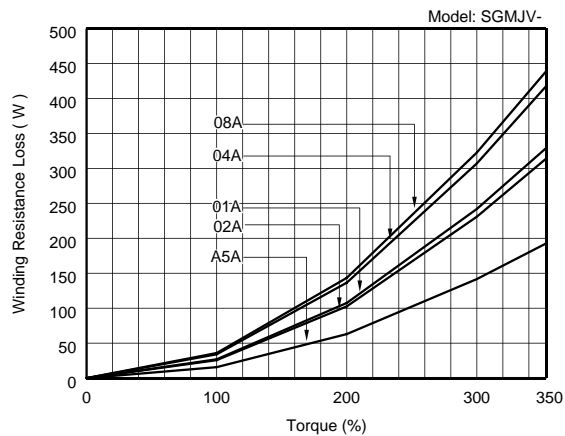


Selecting Regenerative Resistors

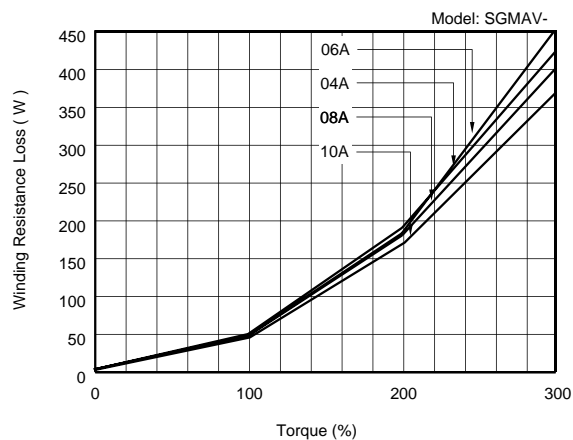
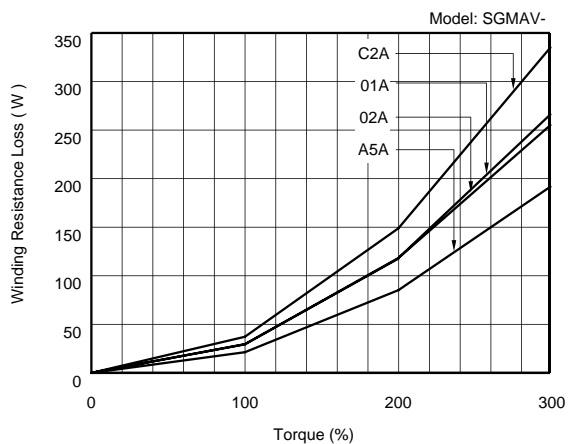
(4) Servomotor Winding Resistance Loss

The following diagrams show the relationship, for each servomotor, between the servomotor's generated torque and the winding resistance loss.

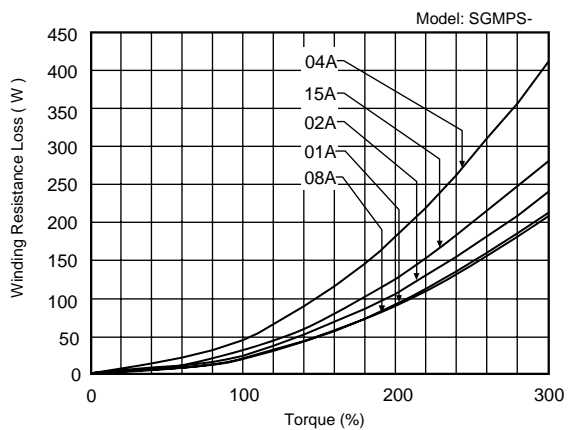
(a) SGMJV Rotary Servomotors



(b) SGMAV Rotary Servomotors

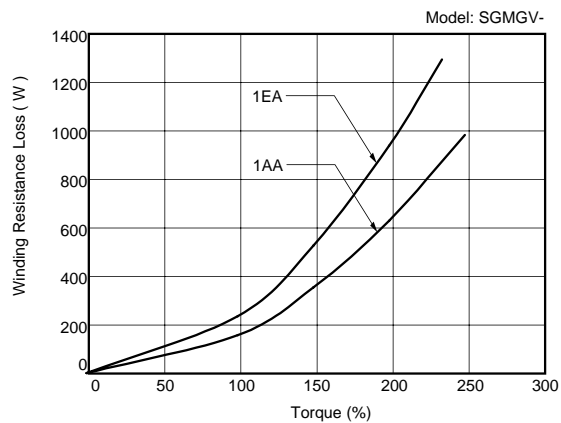
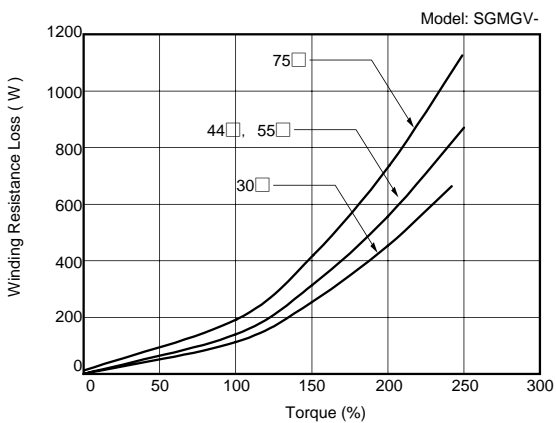
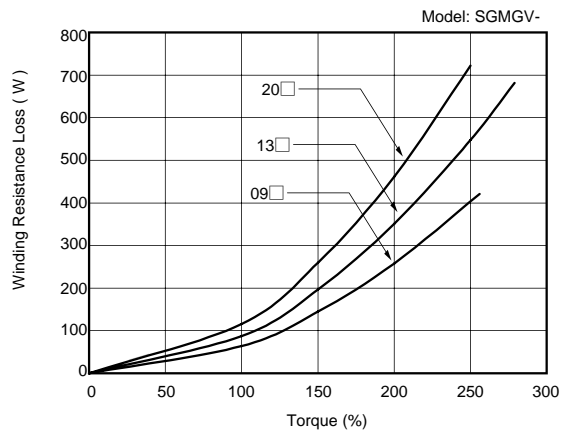
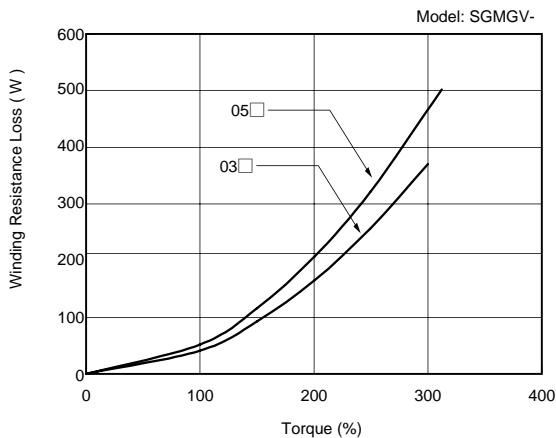


(c) SGMPS Rotary Servomotors

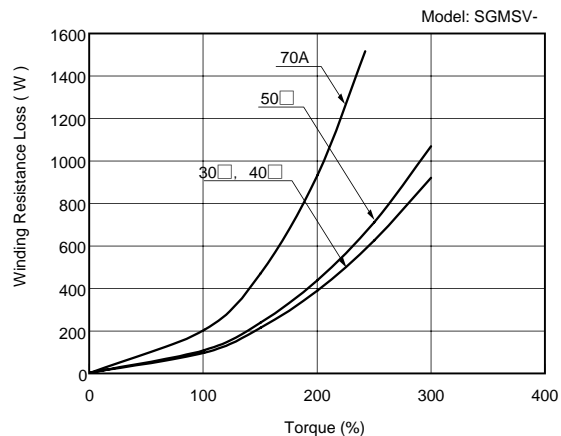
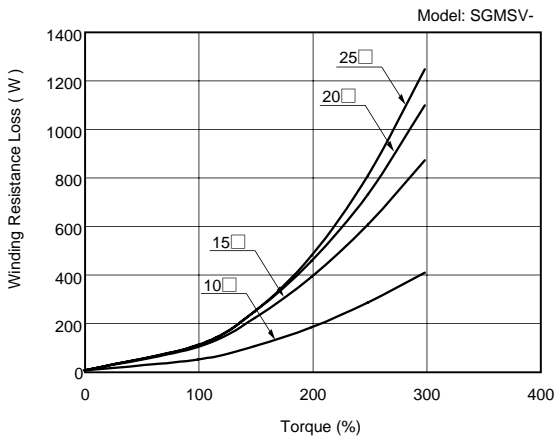


# Selecting Regenerative Resistors

(d) SGMGV Rotary Servomotors

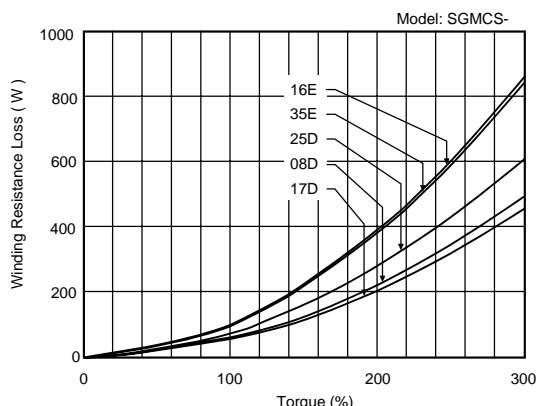
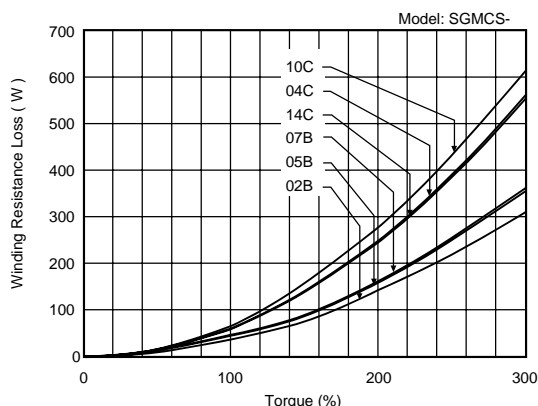


(e) SGMSV Rotary Servomotors

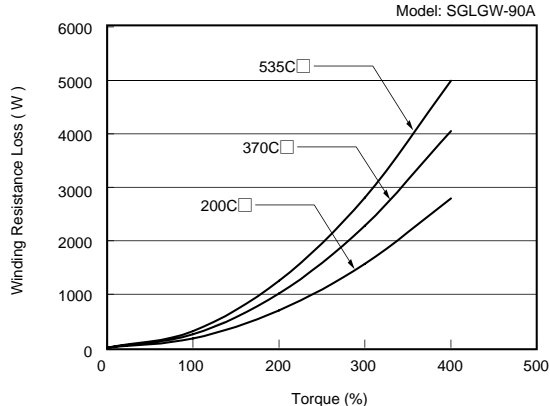
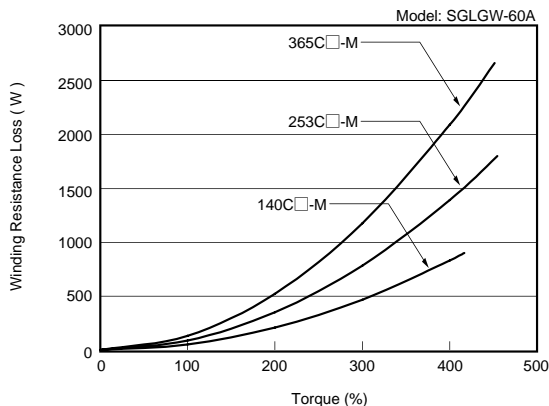
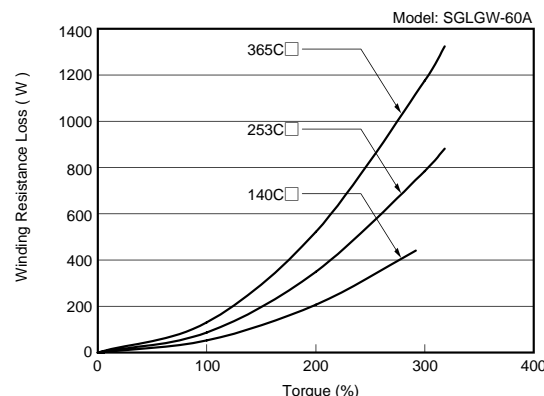
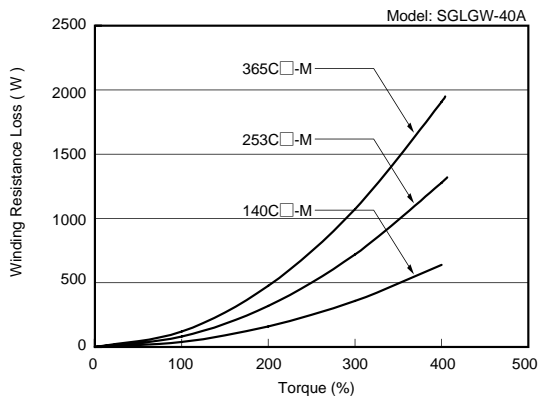
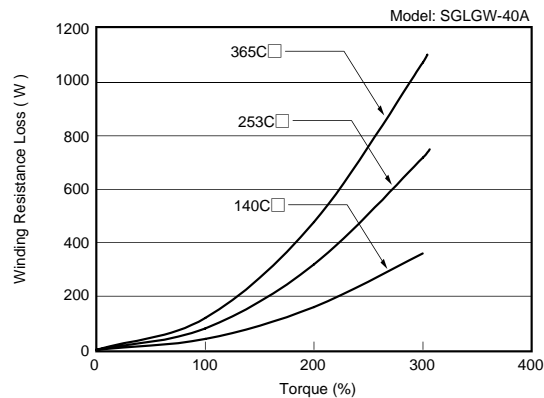
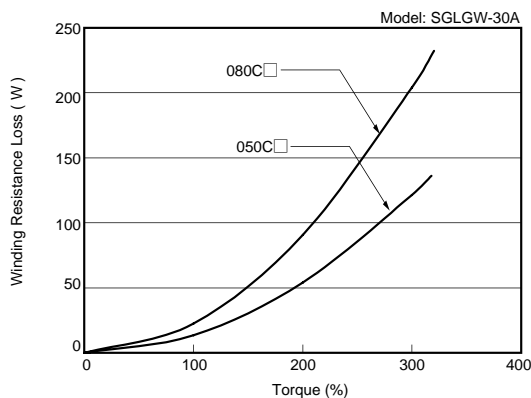


Selecting Regenerative Resistors

(f) SGMCS Direct Drive Servomotors

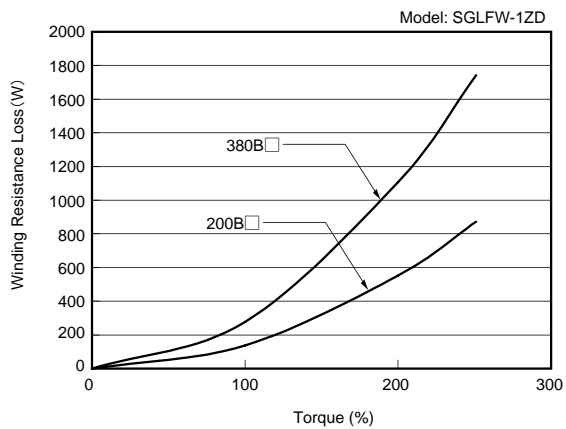
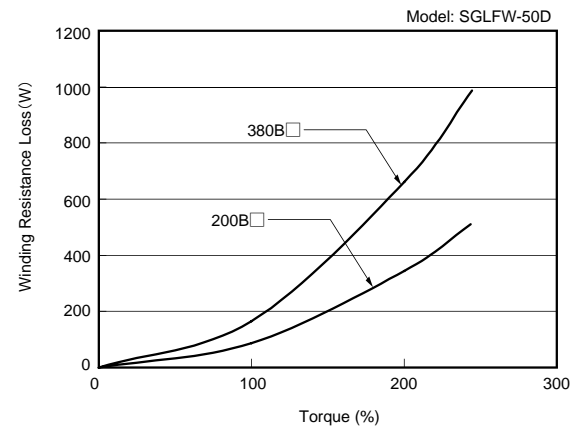
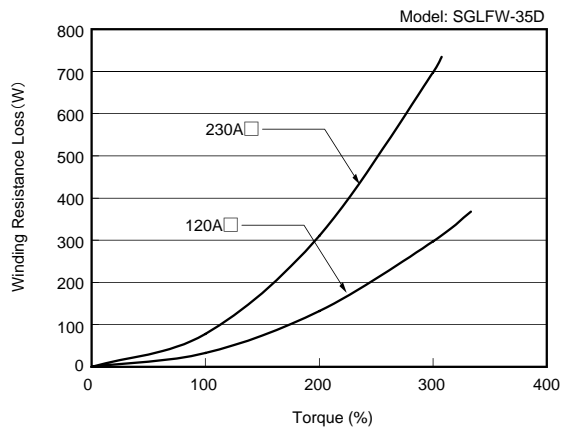
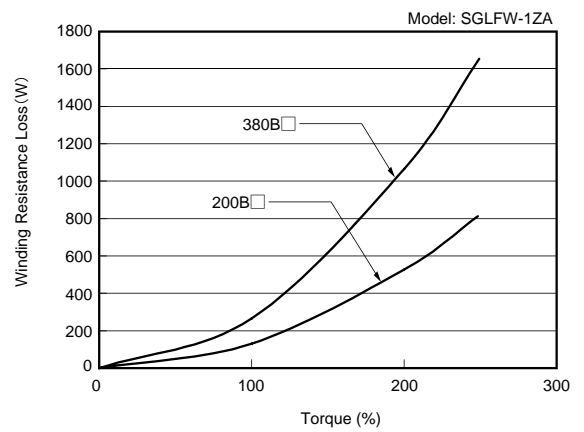
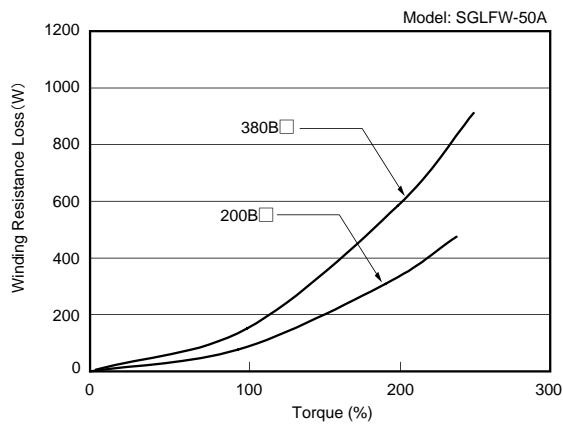
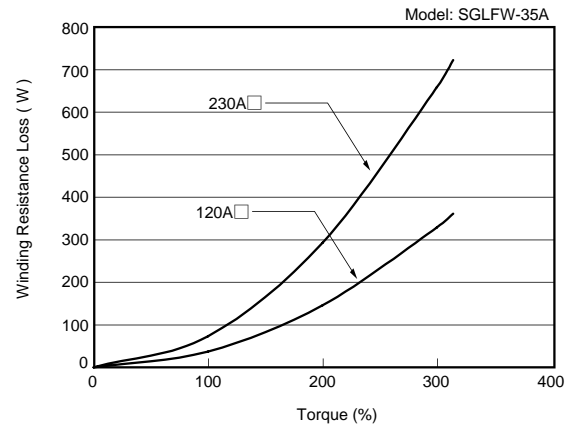
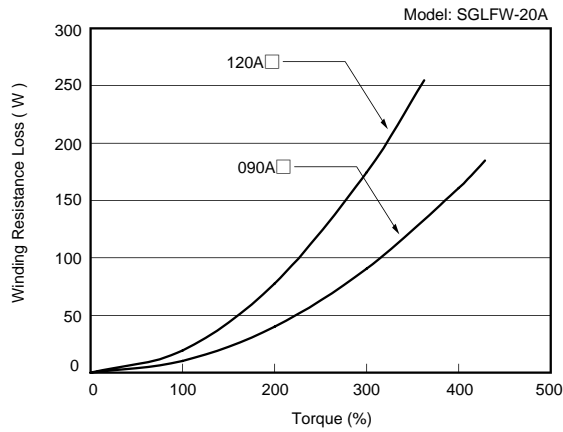


(g) SGLGW Linear Servomotors



# Selecting Regenerative Resistors

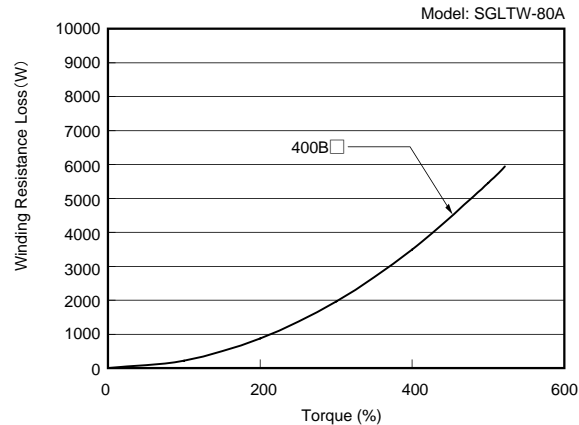
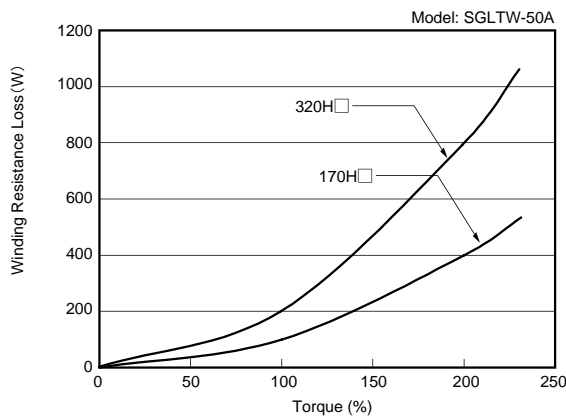
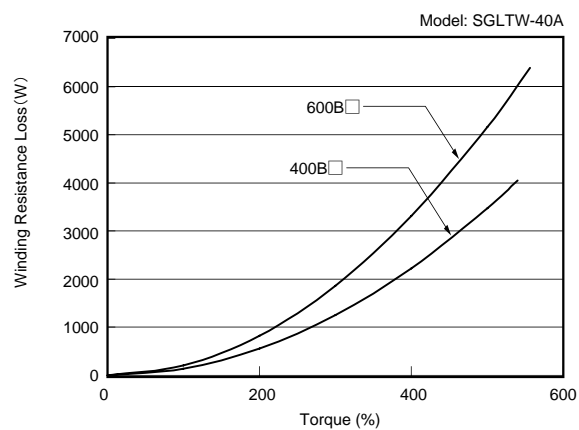
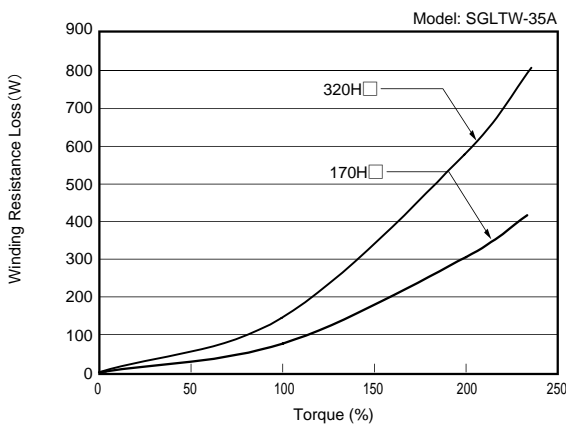
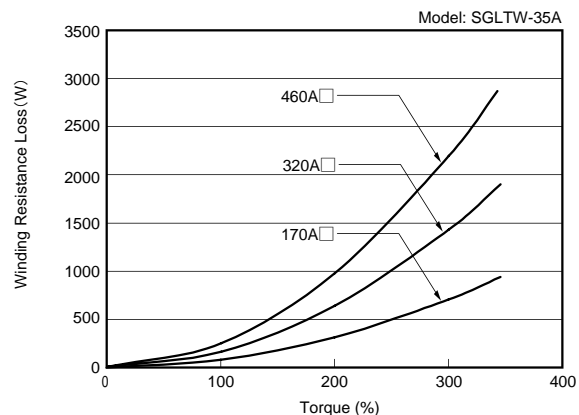
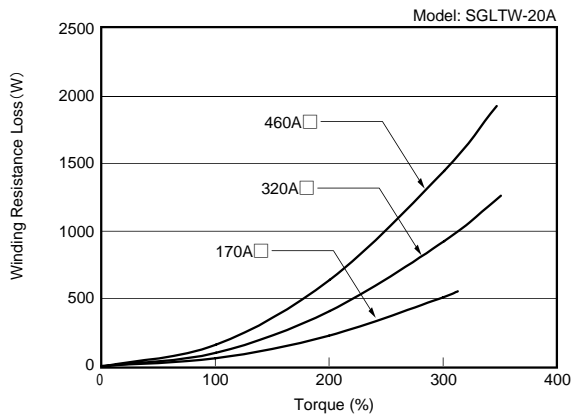
## (h) SGLFW Linear Servomotors





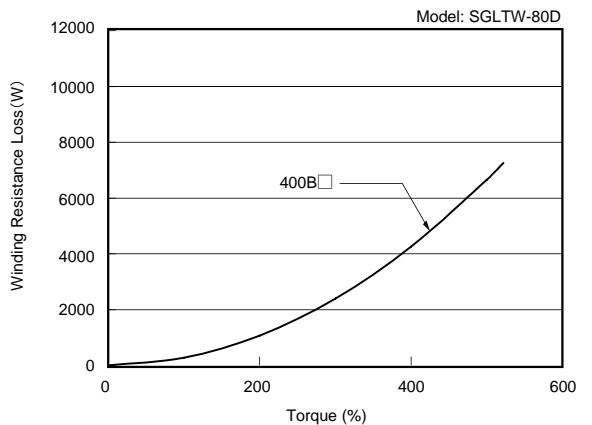
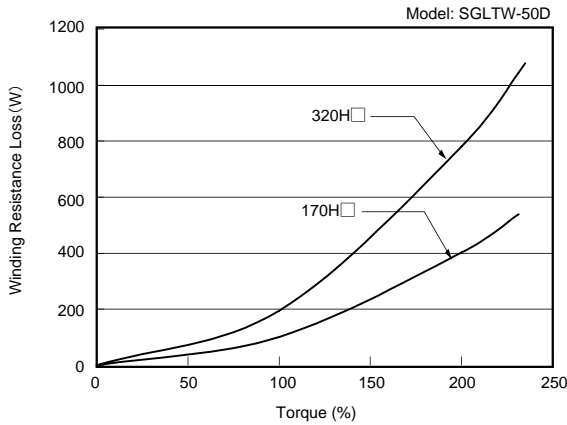
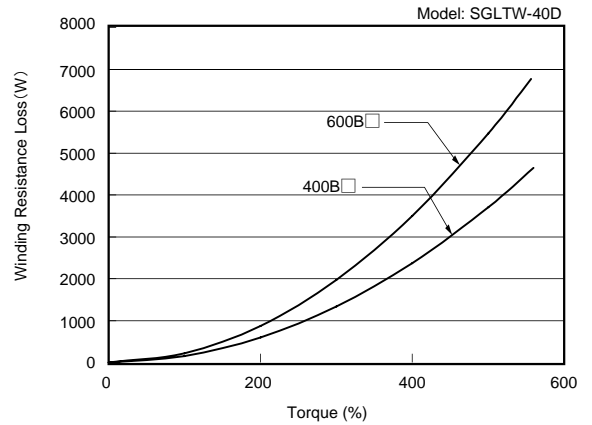
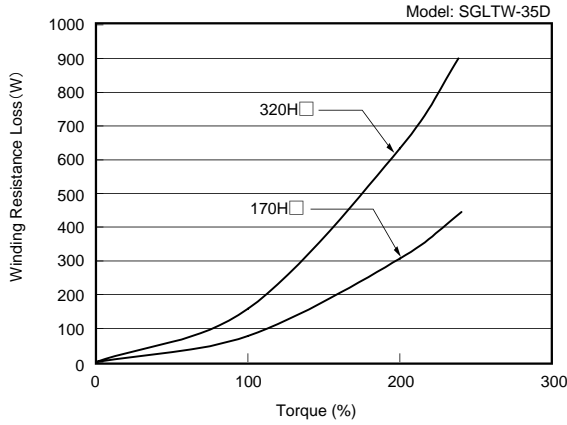
Selecting Regenerative Resistors

(i) SGLTW Linear Servomotors

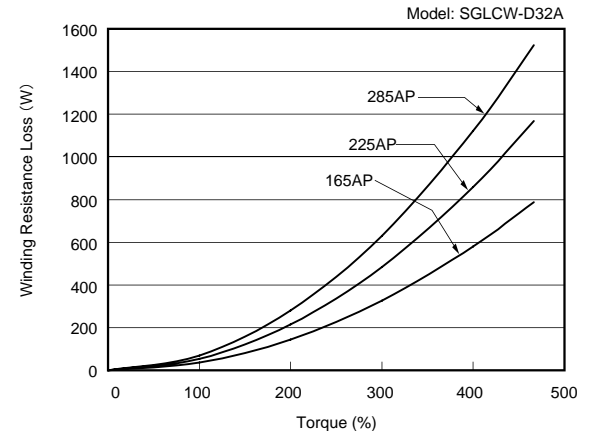
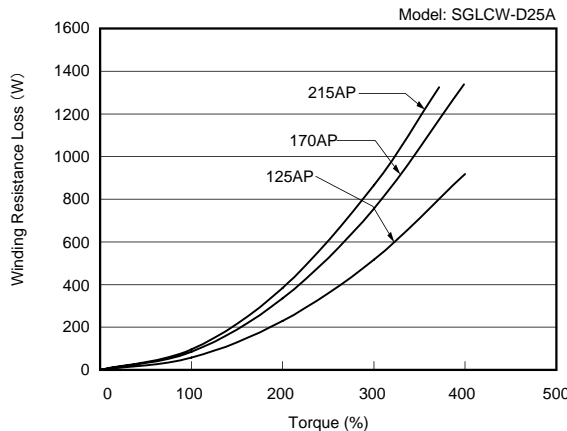
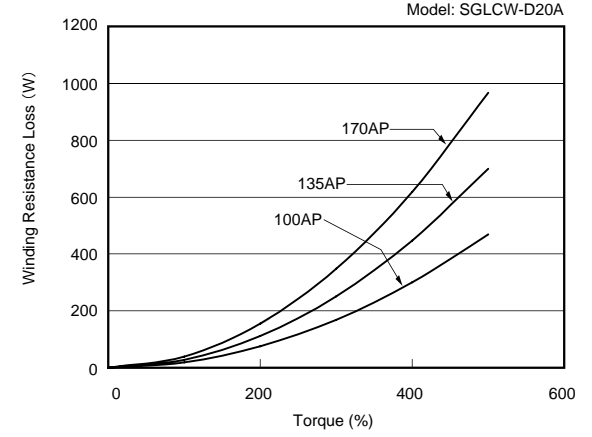
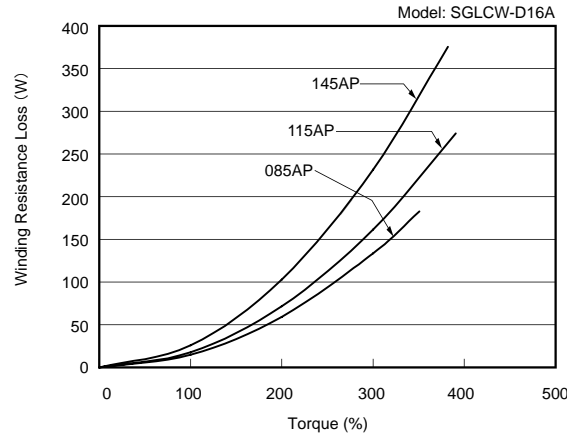


# Selecting Regenerative Resistors

## (i) SGLTW Linear Servomotors (cont'd)

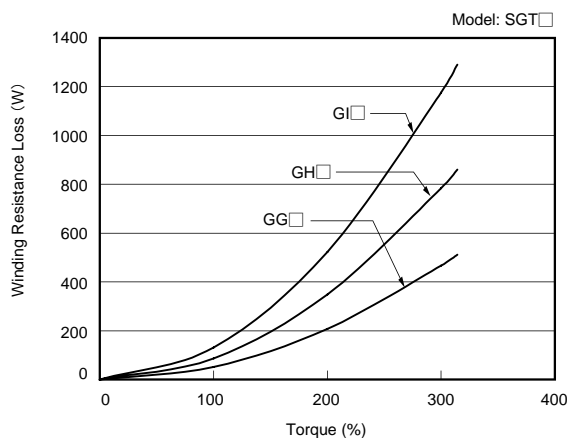
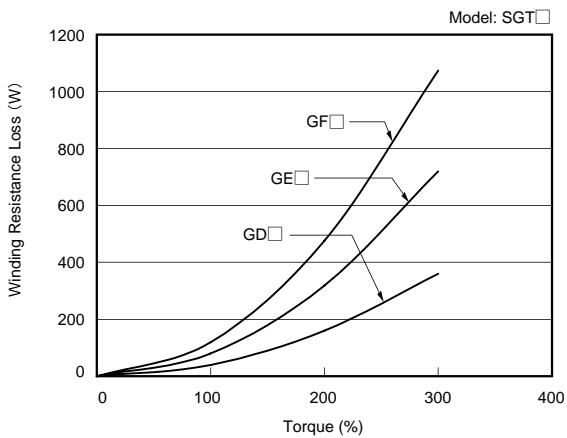
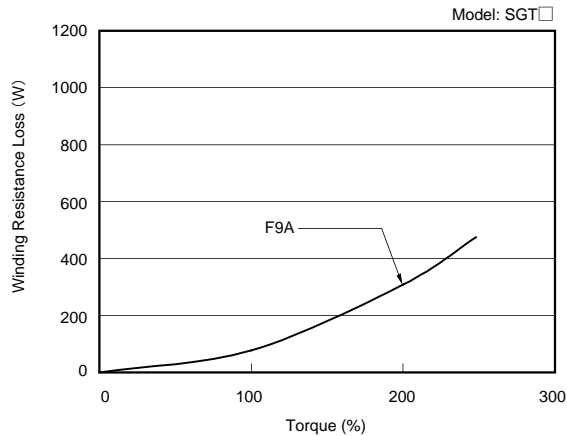
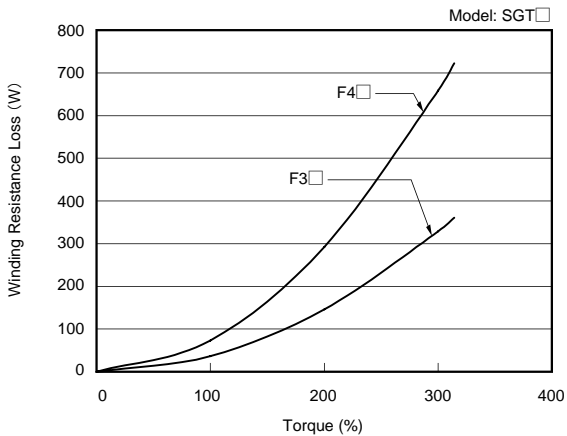


## (j) SGLCW Cylinder Type Linear Servomotors



Selecting Regenerative Resistors

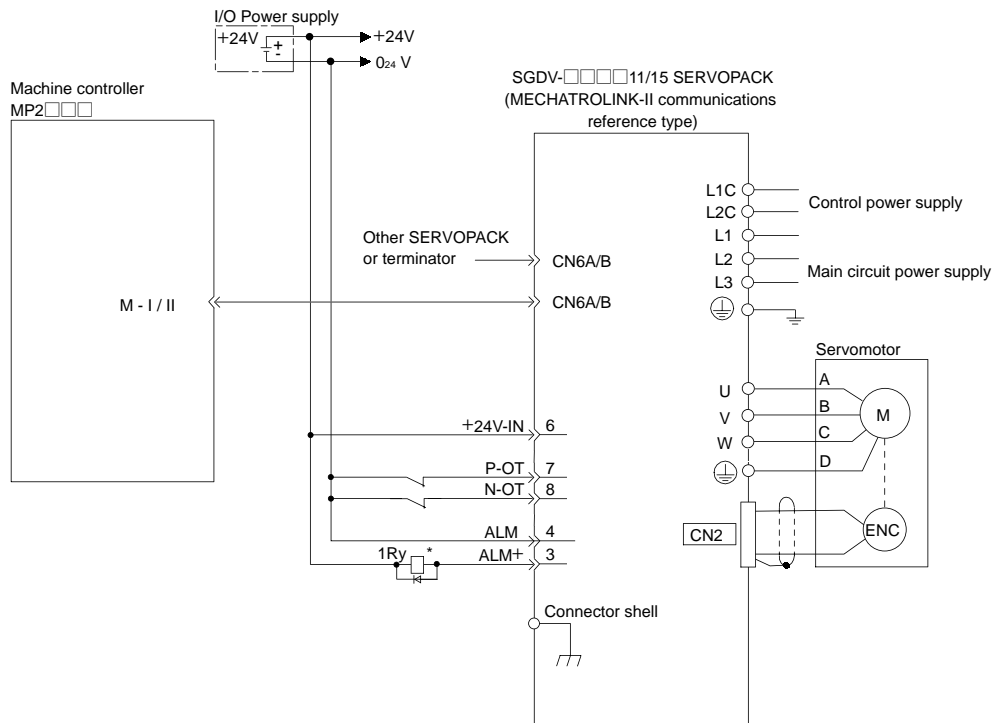
(k) SGT Linear Sliders





# Connection to Host Controller

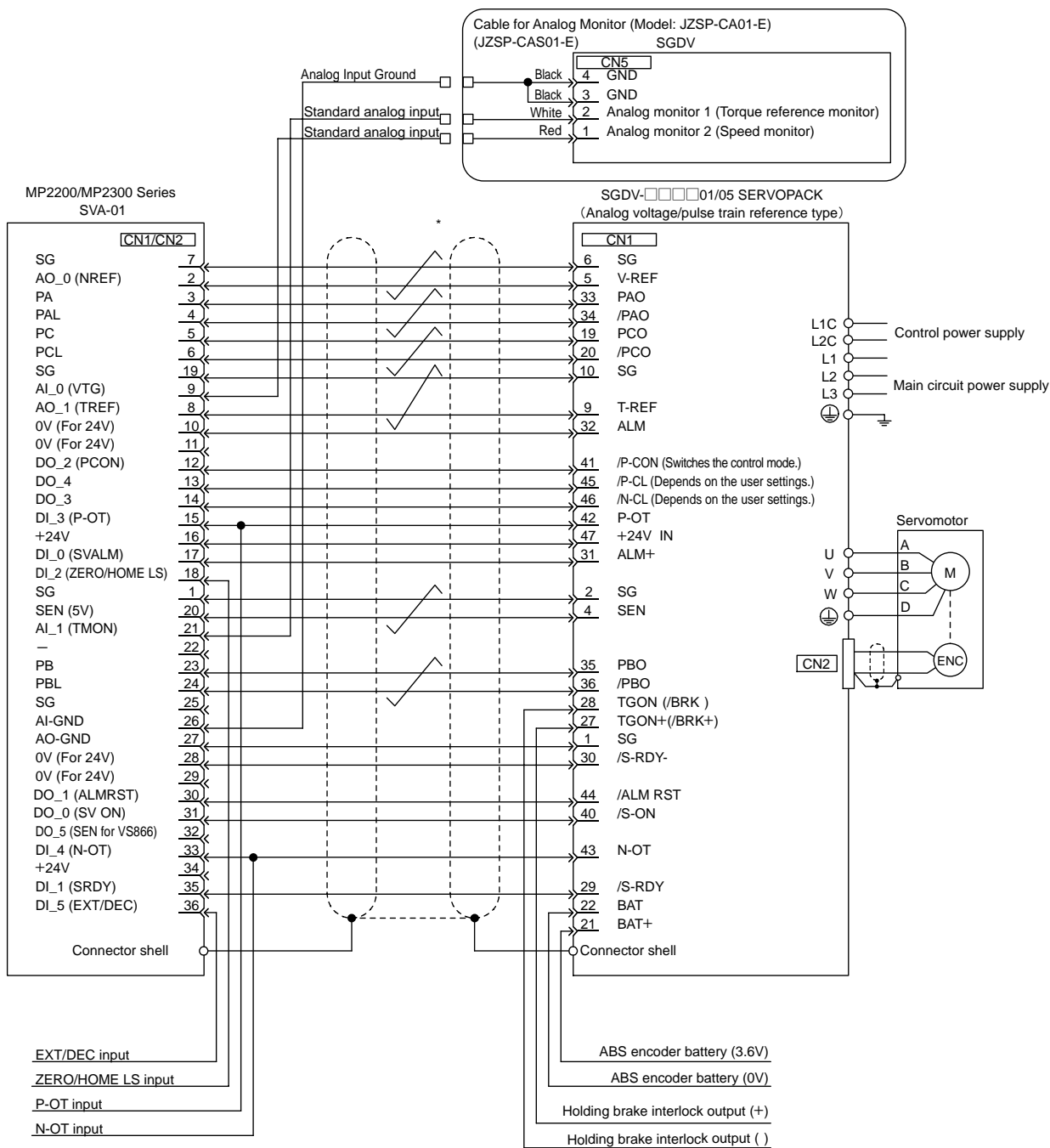
## Example of Connection to Machine Controller MP2□□□



\*: The ALM signal is output for five seconds or less when the power is turned ON. Take this into consideration when designing the power ON sequence. The ALM signal actuates the alarm detection relay "1Ry" to stop the main circuit power supply to the SERVOPACK.

- Notes:
- 1 Only signals applicable to Machine Controller MP2□□□ and Yaskawa's SGD Servopack are shown in the diagram.
  - 2 The main circuit power supply is a three-phase 200 VAC SERVOPACK input in the example.
  - 3 Note that incorrect connection will cause damage to the Machine Controller and SERVOPACK. Take particular care to wire correctly.
  - 4 Open the signal lines not to be used.
  - 5 The above connection diagram shows only X-axis connection. When using another axes, make connection to the SERVOPACK in the same way.
  - 6 The normally closed (N.C.) input terminals not to be used at the Machine Controller I/O connector section must be short-circuited at the connector.
  - 7 Make the setting so that the servo can be turned ON/OFF by the /S-ON signal.
  - 8 The SERVOPACK has a built-in safety function to protect prevent anyone in the vicinity from being injured by unexpected motion. But, in order to use the function, the circuit for CN8 is required to be configured. When not using the function, use SERVOPACKs with the Safety Jumper Connector connected.

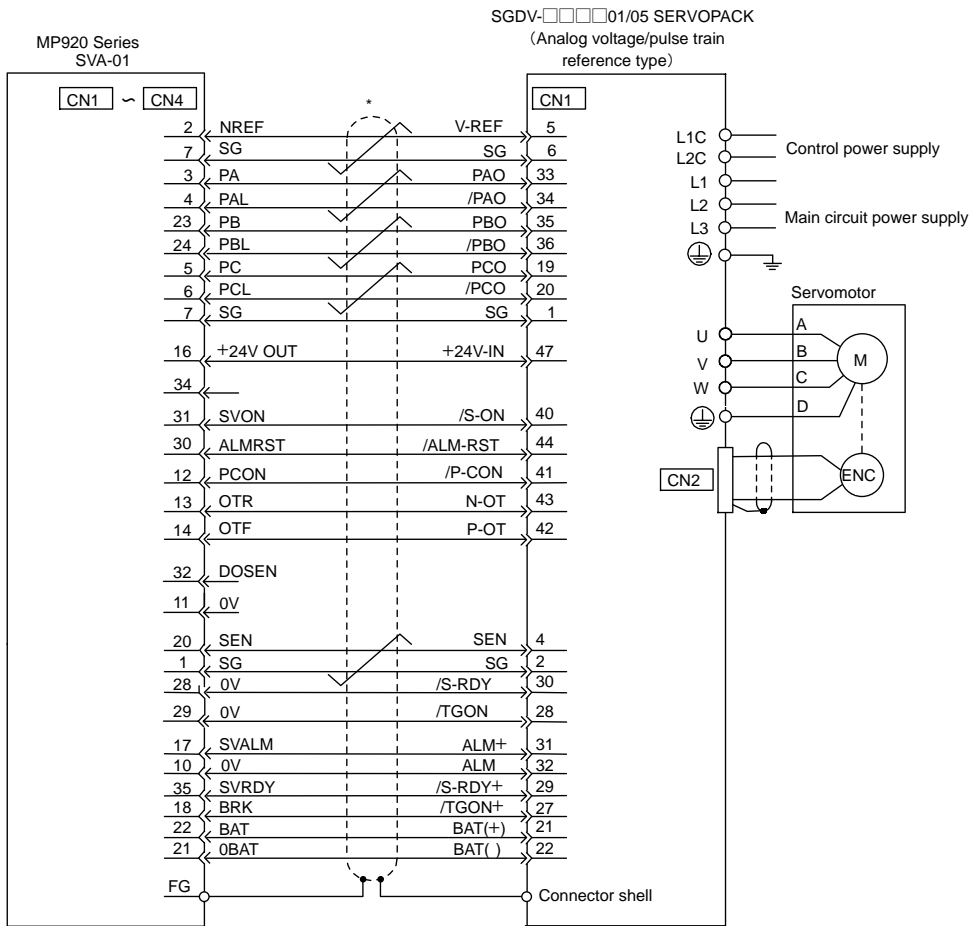
## Example of Connection to MP2200 / MP2300 Motion Module SVA-01



\*: represents twisted-pair wires.

- Notes:
- 1 Connection cables (model: JEPMC-W 2040-□□) to connect the SERVOPACK to the MP2200/MP2300 are provided by Yaskawa. For details, see "Machine Controller MP2200/MP2300 Motion Module User's Manual" (manual no. YEA-SIEPC88070016).
  - 2 Only signals applicable to MP2200 / MP2300 Motion Module SVA-01 and Yaskawa's SGD-V SERVOPACK are shown in the diagram.
  - 3 The main circuit power supply is a three-phase 200 VAC SERVOPACK input in the example.
  - 4 Note that incorrect connection will cause damage to the Machine Controller and SERVOPACK. Take particular care to wire correctly.
  - 5 Open the signal lines not to be used.
  - 6 The above connection diagram shows only X-axis connection. When using another axes, make connection to the SERVOPACK in the same way.
  - 7 The normally closed (N.C.) input terminals not to be used at the Machine Controller I/O connector section must be short-circuited at the connector.
  - 8 Make the setting so that the servo can be turned ON/OFF by the /S-ON signal.
  - 9 The SERVOPACK has a built-in safety function to protect prevent anyone in the vicinity from being injured by unexpected motion. But, in order to use the function, the circuit for CN8 is required to be configured. When not using the function, use SERVOPACKs with the Safety Jumper Connector connected.

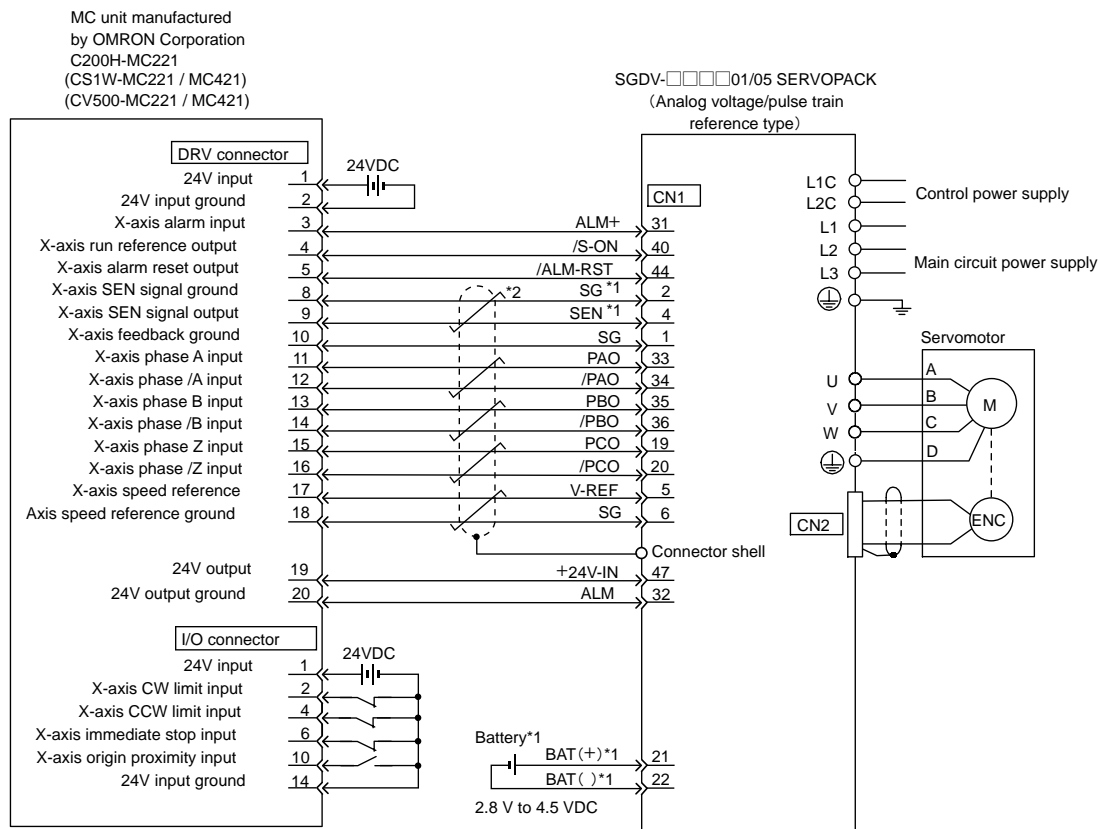
## Example of Connection to MP920 4-axis Analog Module SVA-01



\*: represents twisted-pair wires.

- Notes:
- 1 Connection cables (model: JEPMC-W6050-□□) to connect the SERVOPACK to the MP920 are provided by Yaskawa. For details, see "Machine Controller MP920 User's Manual Design and Maintenance" (manual no. SIEZ-C887-2.1).
  - 2 Only signals applicable to MP920 4-axes Analog Module SVA-01 and Yaskawa's SGDV SERVOPACK are shown in the diagram.
  - 3 The main circuit power supply is a three-phase 200 VAC SERVOPACK input in the example.
  - 4 Note that incorrect connection will cause damage to the Machine Controller and SERVOPACK. Take particular care to wire correctly.
  - 5 Open the signal lines not to be used.
  - 6 The above connection diagram shows only X-axis connection. When using another axes, make connection to the SERVOPACK in the same way.
  - 7 The normally closed (N.C.) input terminals not to be used at the Machine Controller I/O connector section must be short-circuited at the connector.
  - 8 Make the setting so that the servo can be turned ON/OFF by the /S-ON signal.
  - 9 The SERVOPACK has a built-in safety function to protect prevent anyone in the vicinity from being injured by unexpected motion. But, in order to use the function, the circuit for CN8 is required to be configured. When not using the function, use SERVOPACKs with the Safety Jumper Connector connected.

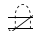
## Example of Connection to OMRON's Motion Control Unit



\*1: Use a battery when using an absolute encoder.

No battery is needed for CN1 (between 21, 22) when using an encoder cable with a battery.

- Battery for CN1 : ER6VC3N (3.6 V, 2000 mA)
- Battery for battery unit : JUSP-BA01-E (3.6 V, 1000 mA)

\*2:  represents twisted-pair wires.

Notes: 1 Only signals applicable to OMRON Corporation's MC unit and Yaskawa's SGDV SERVOPACK are shown in the diagram.

2 The main circuit power supply is a three-phase 200 VAC SERVOPACK input in the example.

3 Note that incorrect connection will cause damage to the MC unit and SERVOPACK.

Take particular care to wire correctly.

4 Open the signal lines not to be used.

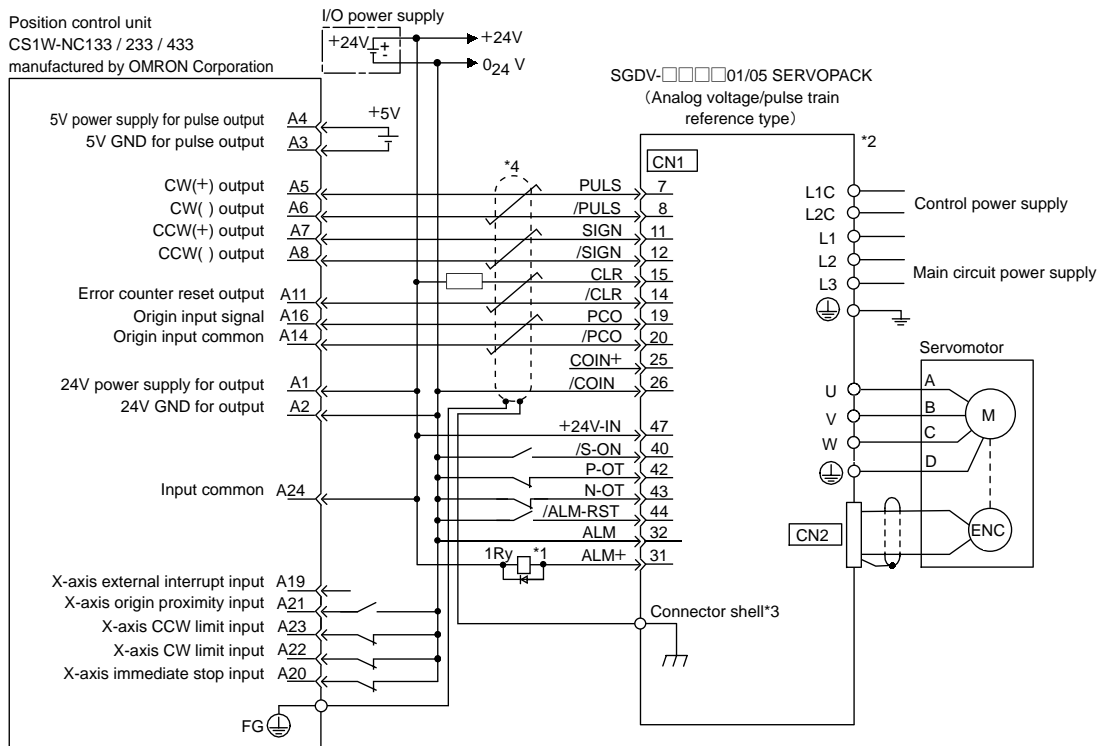
5 The above connection diagram shows only X-axis connection. When using another axes, make connection to the SERVOPACK in the same way.

6 The normally closed (N.C.) input terminals not to be used at the motion control unit I/O connector section must be short-circuited at the connector.

7 Make the setting so that the servo can be turned ON/OFF by the /S-ON signal.

8 The SERVOPACK has a built-in safety function to prevent anyone in the vicinity from being injured by unexpected motion. But, in order to use the function, the circuit for CN8 is required to be configured. When not using the function, use SERVOPACKs with the Safety Jumper Connector connected.

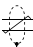
## Example of Connection to OMRON's Position Control Unit



\*1: The ALM signal is output for five seconds or less when the power is turned ON. Take this into consideration when designing the power ON sequence. The ALM signal actuates the alarm detection relay "1Ry" to stop the main circuit power supply to the SERVOPACK.

\*2: Set parameter Pn200.0 = 1 or 6.

\*3: Connect the shield wire to the connector shell.

\*4  represents twisted-pair wires.

Notes: 1 Only signals applicable to OMRON Corporation's position control unit and Yaskawa's SGDV SERVOPACK are shown in the diagram.

2 The main circuit power supply is a three-phase 200 VAC SERVOPACK input in the example.

3 Note that incorrect connection will cause damage to the position control unit and SERVOPACK. Take particular care to wire correctly.

4 Open the signal lines not to be used.

5 The above connection diagram shows only X-axis connection. When using another axes, make connection to the SERVOPACK in the same way.

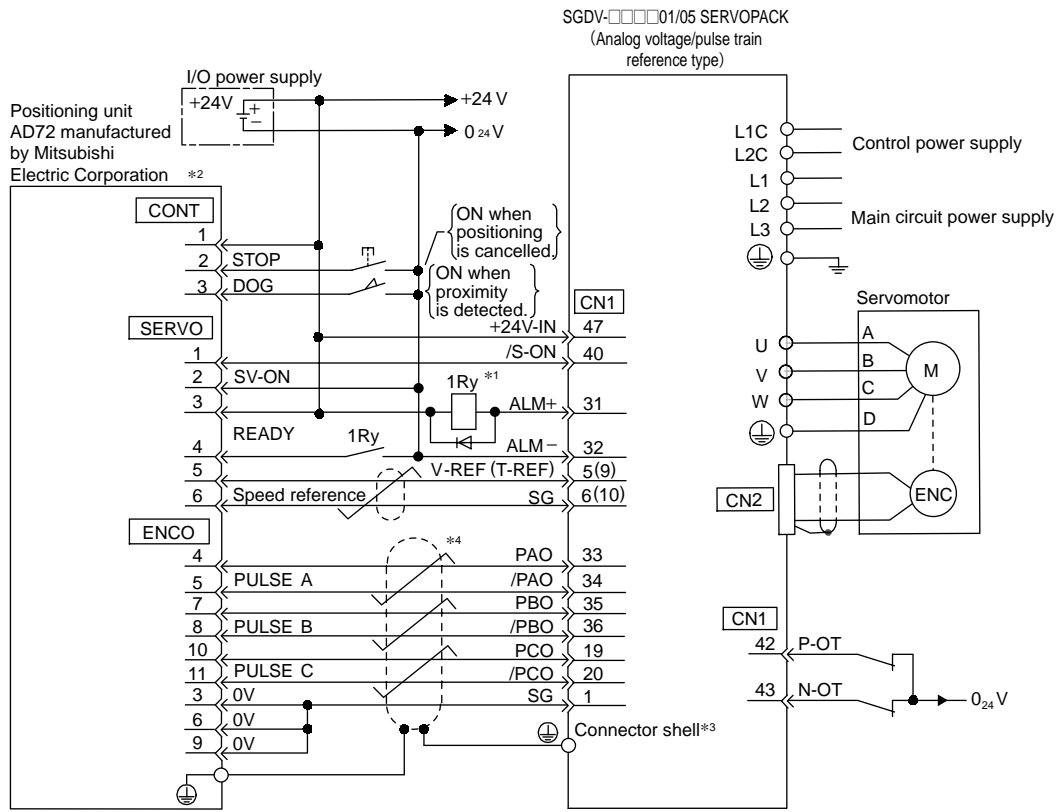
6 The normally closed (N.C.) input terminals not to be used at the position control unit I/O connector section must be short-circuited at the connector.

7 Make the setting so that the servo can be turned ON/OFF by the /S-ON signal.

8 The SERVOPACK has a built-in safety function to prevent anyone in the vicinity from being injured by unexpected motion. But, in order to use the function, the circuit for CN8 is required to be configured. When not using the function, use SERVOPACKs with the Safety Jumper Connector connected.



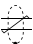
## Example of Connection to Mitsubishi's AD72 Positioning Unit (SERVOPACK in Speed Control)



\*1: The ALM signal is output for five seconds or less when the power is turned ON. Take this into consideration when designing the power ON sequence. The ALM signal actuates the alarm detection relay "1Ry" to stop the main circuit power supply to the SERVOPACK.

\*2: Pin numbers are the same both for X-axis and Y-axis.

\*3: Connect the shield wire to the connector shell.

\*4:  represents twisted-pair wires.

Notes: 1 Only signals applicable to Mitsubishi Electric Corporation's AD72 positioning unit and Yaskawa's SGDV SERVOPACK are shown in the diagram.

2 The main circuit power supply is a three-phase 200 VAC SERVOPACK input in the example.

3 Note that incorrect connection will cause damage to the positioning unit and SERVOPACK. Take particular care to wire correctly.

4 Open the signal lines not to be used.

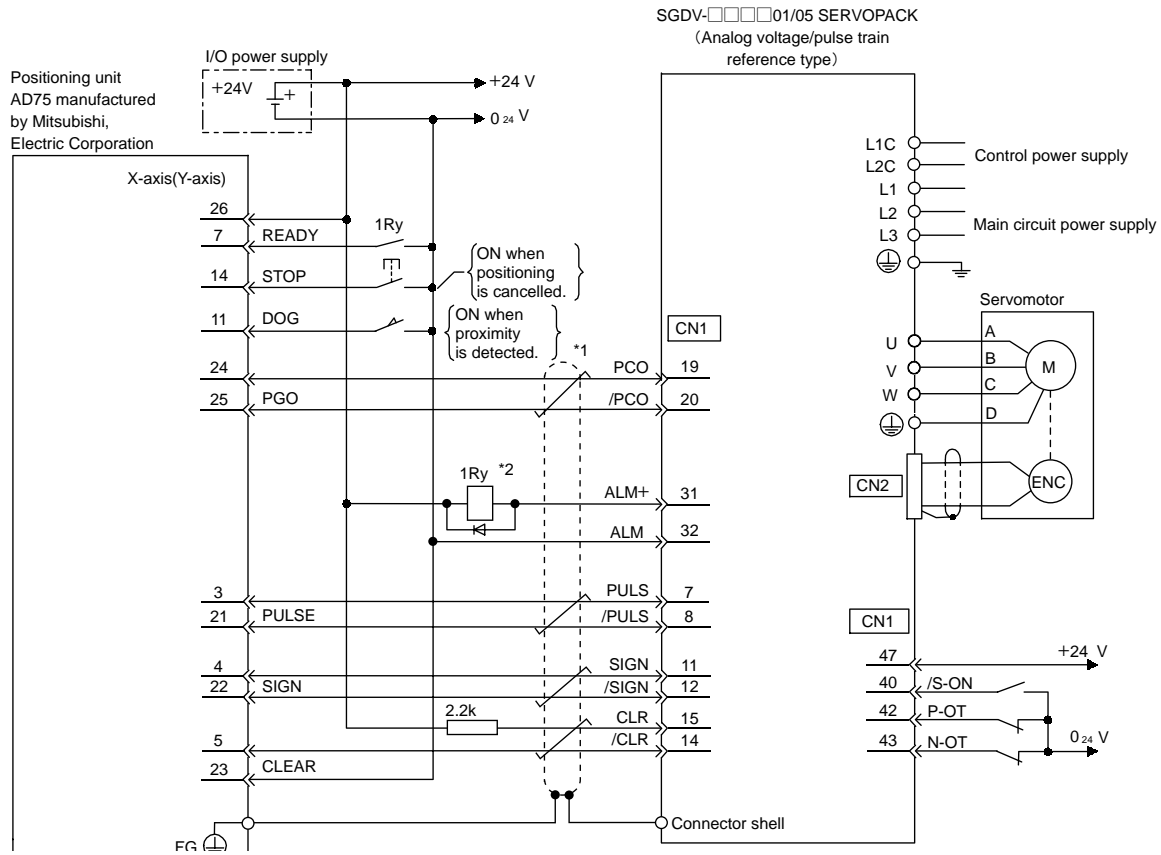
5 The above connection diagram shows only X-axis connection. When using another axes, make connection to the SERVOPACK in the same way.

6 The normally closed (N.C.) input terminals not to be used at the positioning unit I/O connector section must be short-circuited at the connector.

7 Make the setting so that the servo can be turned ON/OFF by the /S-ON signal.

8 The SERVOPACK has a built-in safety function to prevent anyone in the vicinity from being injured by unexpected motion. But, in order to use the function, the circuit for CN8 is required to be configured. When not using the function, use SERVOPACKs with the Safety Jumper Connector connected.

## Example of Connection to Mitsubishi's AD75 Positioning Unit (SERVOPACK in Position Control)



\*1: represents twisted-pair wires.

\*2: The ALM signal is output for five seconds or less when the power is turned ON. Take this into consideration when designing the power ON sequence. The ALM signal actuates the alarm detection relay "1Ry" to stop the main circuit power supply to the SERVOPACK.

Notes: 1 Only signals applicable to Mitsubishi Electric Corporation's AD75 positioning unit and Yaskawa's SGDV SERVOPACK are shown in the diagram.

2 The main circuit power supply is a three-phase 200 VAC SERVOPACK input in the example.

3 Note that incorrect connection will cause damage to the positioning unit and SERVOPACK. Take particular care to wire correctly.

4 Open the signal lines not to be used.

5 The above connection diagram shows only X-axis connection. When using another axes, make connection to the SERVOPACK in the same way.

6 The normally closed (N.C.) input terminals not to be used at the positioning unit I/O connector section must be short-circuited at the connector.

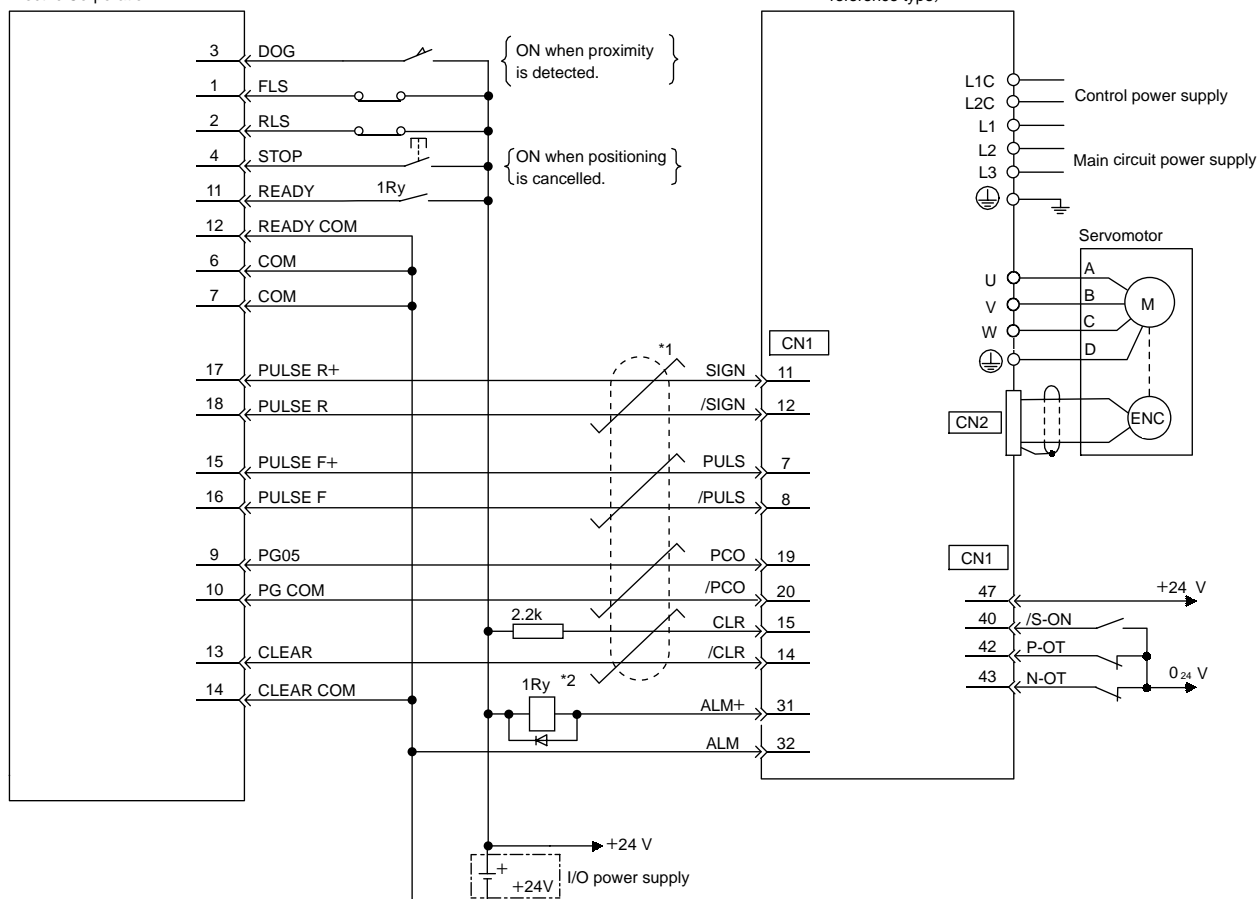
7 Make the setting so that the servo can be turned ON/OFF by the /S-ON signal.

8 The SERVOPACK has a built-in safety function to prevent anyone in the vicinity from being injured by unexpected motion. But, in order to use the function, the circuit for CN8 is required to be configured. When not using the function, use SERVOPACKs with the Safety Jumper Connector connected.

## Example of Connection to Mitsubishi's QD75D Positioning Unit (SERVOPACK in Positioning Control)

Positioning unit  
QD75D manufactured  
by Mitsubishi  
Electric Corporation

SGDV-000001/05 SERVOPACK  
(Analog voltage/pulse train  
reference type)



\*1: represents twisted-pair wires.

- \*2: The ALM signal is output for five seconds or less when the power is turned ON. Take this into consideration when designing the power ON sequence. The ALM signal actuates the alarm detection relay "1Ry" to stop the main circuit power supply to the SERVOPACK.
- Notes: 1 Only signals applicable to Mitsubishi Electric Corporation's QD75D positioning unit and Yaskawa's SGDV SERVOPACK are shown in the diagram.  
 2 The main circuit power supply is a three-phase 200 VAC SERVOPACK input in the example.  
 3 Note that incorrect connection will cause damage to the positioning unit and SERVOPACK. Take particular care to wire correctly.  
 4 Open the signal lines not to be used.  
 5 The above connection diagram shows only X-axis connection. When using another axes, make connection to the SERVOPACK in the same way.  
 6 The normally closed (N.C.) input terminals not to be used at the positioning unit I/O connector section must be short-circuited at the connector.  
 7 Make the setting so that the servo can be turned ON/OFF by the /S-ON signal.  
 8 The SERVOPACK has a built-in safety function to prevent anyone in the vicinity from being injured by unexpected motion. But, in order to use the function, the circuit for CN8 is required to be configured. When not using the function, use SERVOPACKs with the Safety Jumper Connector connected.







**Yaskawa America, Inc.**  
Drives & Motion Division

2121 Norman Drive South  
Waukegan, IL 60085  
Tel: 1-800-YASKAWA (927-5292) • Fax: 1-847-887-7310  
MotionSupport@yaskawa.com • www.yaskawa.com

Document YEA-KAEPS80000042 • Rev: H-1 • 10/17/2011 • © 2011