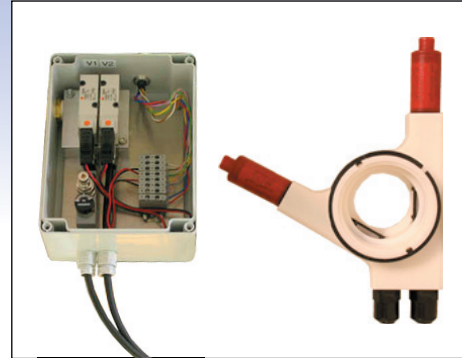
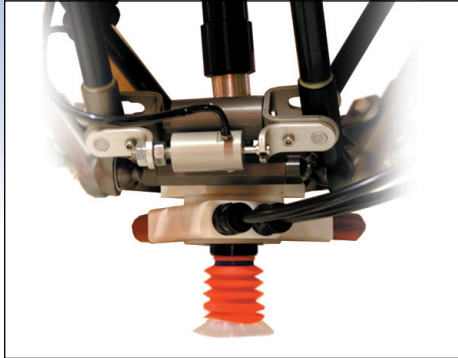


VS 340 Vacuum System



VS 340 Vacuum System

The 340 Vacuum System is a new design of pick and place systems for the IRB 340 robot. The vacuum is generated at the vacuum cup and this shortens the cycle time by creating more vacuum with faster air response. Two vacuum ejectors mounted at the gripper makes it easy to handle difficult products like bags or porous material. The light weight vacuum system is designed for all types of applications and the vacuum ejector can easily be removed for service and cleaning.

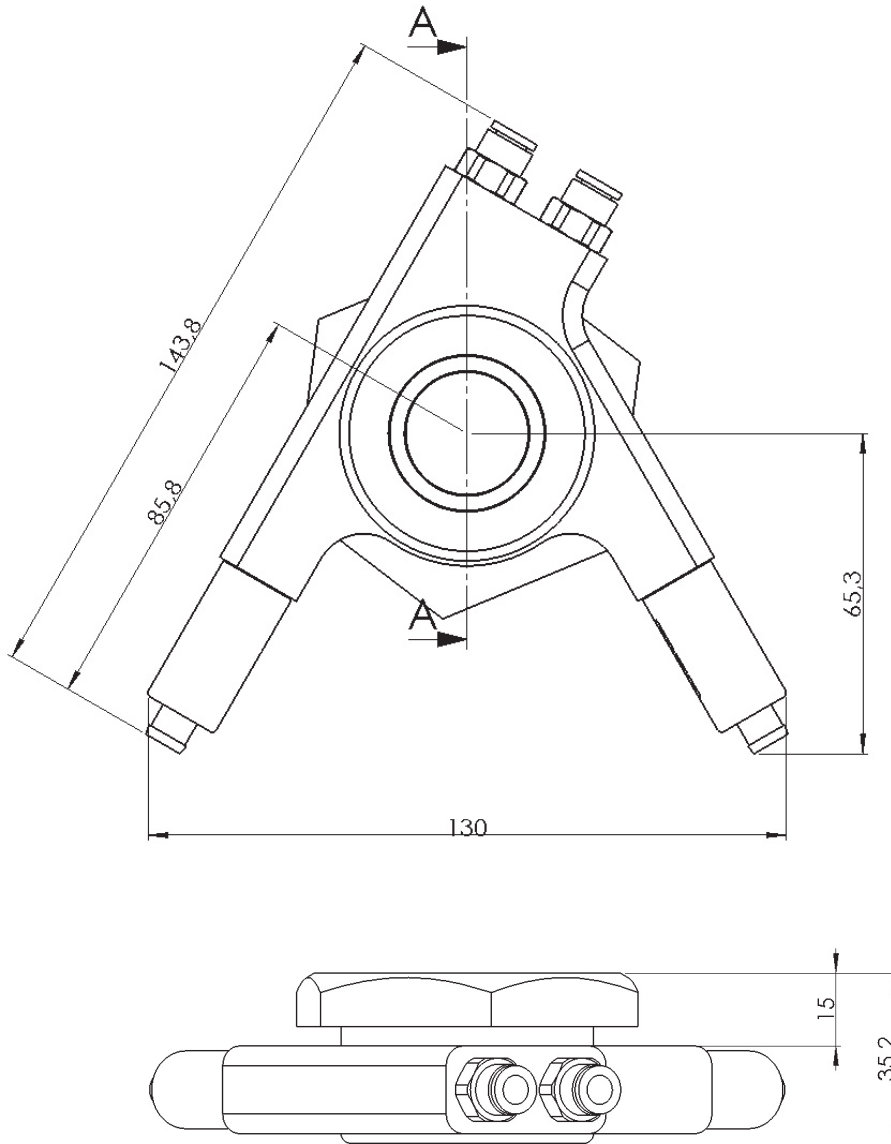
Advantages:

- Fast pick and place
- Vacuum ejectors close to suction cup
- Separate valves for vacuum and push
- Easy to change and clean ejector unit
- Pneumatic valve metal seal, life 200 million cycles
- IP 67
- Standard product, kit includes ejector, valves, air filter, cables between manipulator and cabinet, hose, documentation and mounting instructions

Technical data

Air supply	4-6 bar
Air consumption	53-63 l/min
Vacuum level	max 80% vacuum
Ejector capacity	7,2 l/min, 70% vacuum. 32 l/min, 30% vacuum

Dimensional drawings



B0801-1, Jan 2006

Robot System Products AB offers complete, standardized media supply solutions for most robot-based automation. We design, manufacture, and market a widerange of standard robot peripherals such as tool changers, swivels, hose packages, vacuum grippers and die-casting systems throughout the world. Visit us at www.robotssystemproducts.com