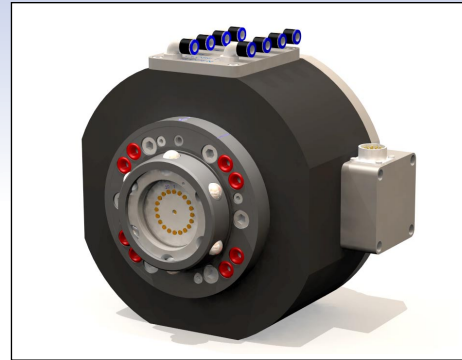
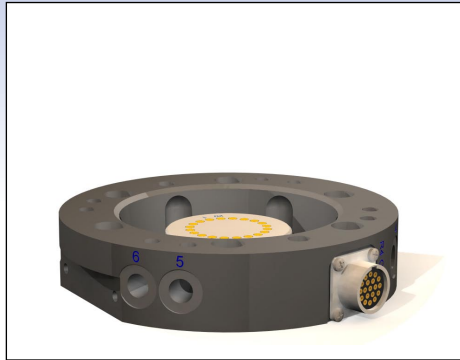




Swivels with Tool Changer up to 250 Kg



Swivels with Tool Changer

The swivels with Tool Changer combines the best of both worlds to maximize the flexibility and productivity. Proven and robust design ensures the highest possible reliability without limiting the robot's performance or working range. These products are the obvious choice in applications that involve welding guns or material handling tools and a lot of robot movement.

Advantages:

- No limitation of robot working space
- Forgiving locking device
- Fast docking due to smart design
- Minimum installation time
- Easier to reach tight positions due to fixed hosing and slim design

Technical data

Swivel with Tool Changer	Part no.	Handling capacity (kg)	Electrical channels	Air channels	Weight (kg)	Max rpm	Max. moment (Nm)	Corresponding Tool Attachment	Part no.	Weight (kg)
STC250-6	P6413	250	-	6	14.5	60	1790Nm	TA250-8 (round)	P6417	2.7
STC250-6E	P6414	250	18	6	14.7	60	1790Nm	TA250-8E (round)	P6418	2.7

Electrical

Max voltage	60 V
Max current	2.0 A
Connections	19 socket Souriau

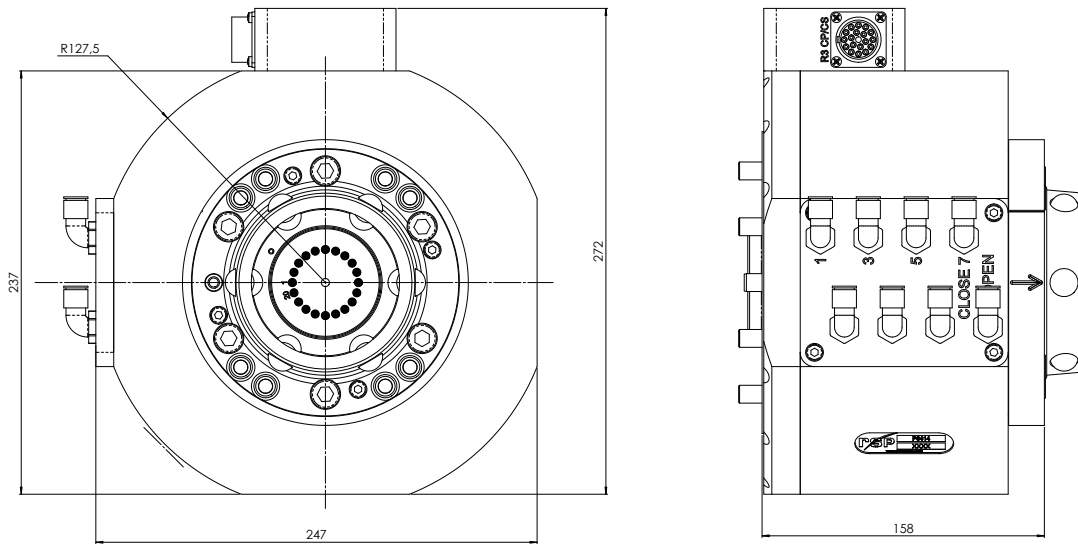
Air

Max air pressure	10 bar
Tool change function working range	Min 6 bar. Max 10 bar
Air flow	1600 l/min
Air quality	Oil-clean and waterless filtered air, max 25 µm particle content
Air connections	G 1/4"

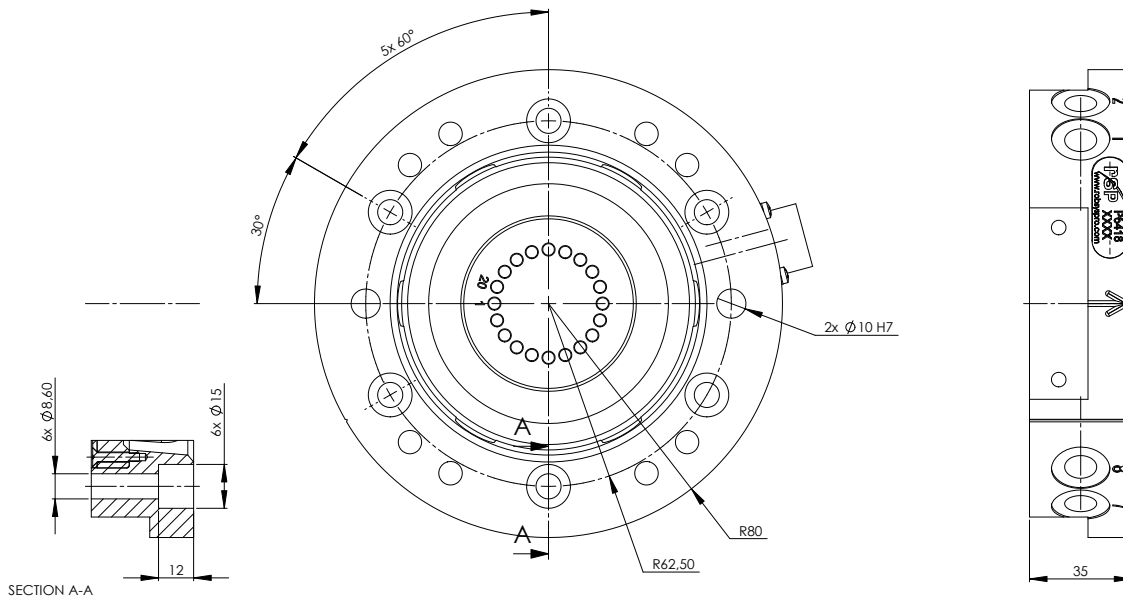


Dimensional drawings

STC250-6E:



TA250-8E:



B0903-1 Mar 2007

Robot System Products offer complete, standardised media supply solutions for robot-based automation. We design, manufacture, and market a wide range of standard robot peripherals such as tool changers, swivels, hose packages, vacuum grippers and die-casting systems throughout the world.

Visit us at www.robotssystemproducts.com

rsp robot system
products