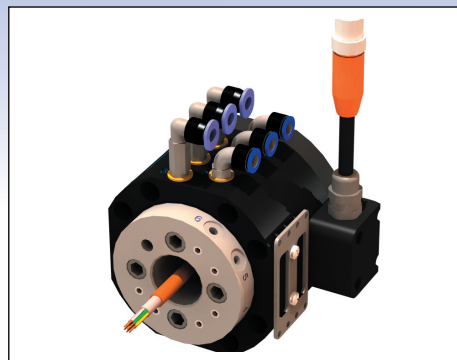
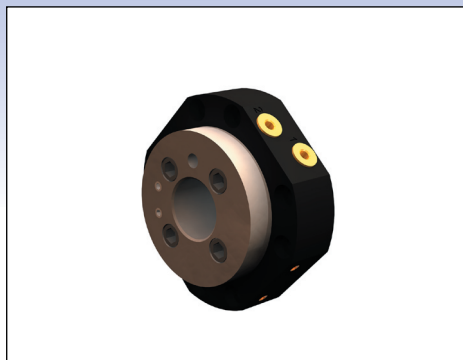


# Small Swivels



## Swivels

The new generation of Swivels provide air supply and electrical signals without limiting your robots motion capabilities. You can spin the 6:th axis free from hoses, cables and other obstacles. The low weight, high corrosion resistance and minimum servicing will shorten your cycle-times, enhance your productivity and minimize downtime in any application involving substantial robot motions.

## Advantages:

- No limitation of robot working space
- Fast and efficient retooling
- Minimum installation time
- Easier to reach tight positions due to fixed hosing and slim design
- Accurate off-line programming due to full control of hose movements

## Technical data

Swivel	Part no.	Handling capacity (kg)	Electrical channels	Air channels	Weight (kg)	Max rpm	Max moment (Nm)
S20-2	P0110	20	-	2	0.35	60	150
S20-2E	P0111	20	8	2	0.60	60	150
S20-6	P0112	20	-	6	0.64	60	150
S20-6E	P0113	20	8	6	0.90	60	150

## Electrical channels

Max voltage	60 V *
Max currency	1 A *
Connections	M12 / Cable

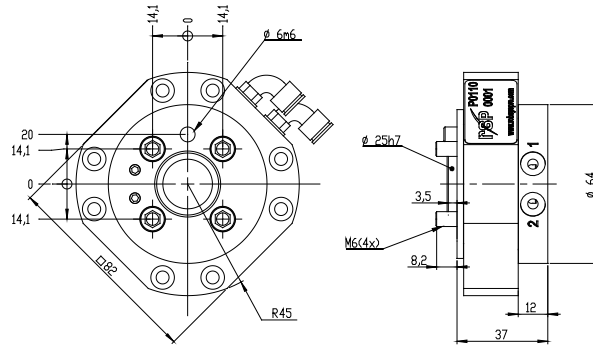
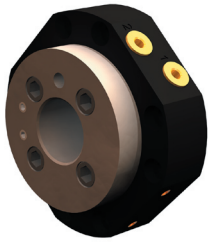
\* Other spec. available on request.

## Compressed air

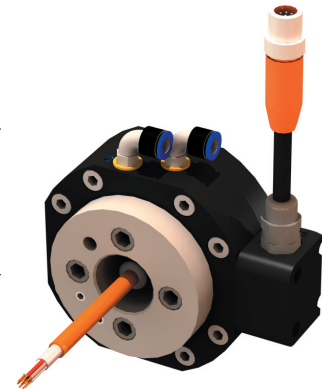
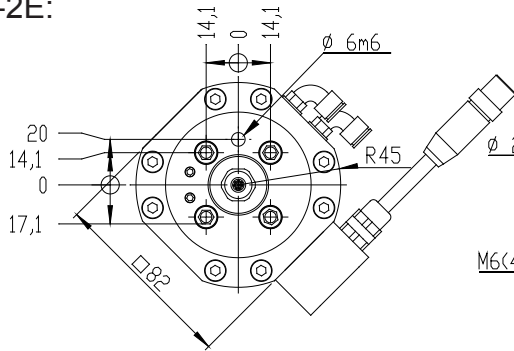
Max. compressed air	-1 to 10 bar
Air flow, unregulated outflow	150 l/min, free, Pin = 6.0 bar
Air quality	Oil-clean and waterless filtered air, max 25 µm
Air connections	M5

# Dimensional drawings

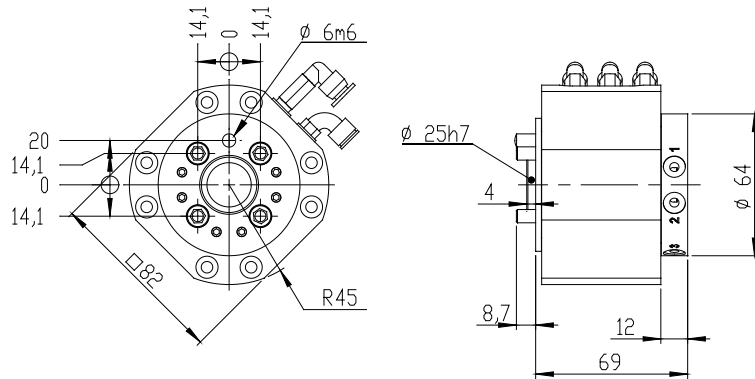
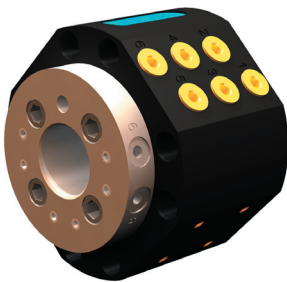
S20-2:



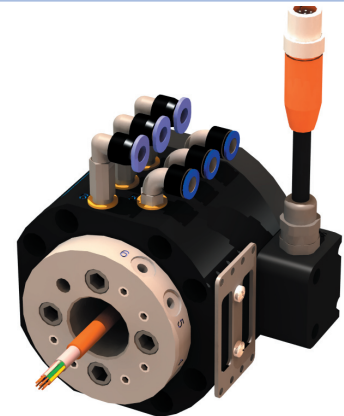
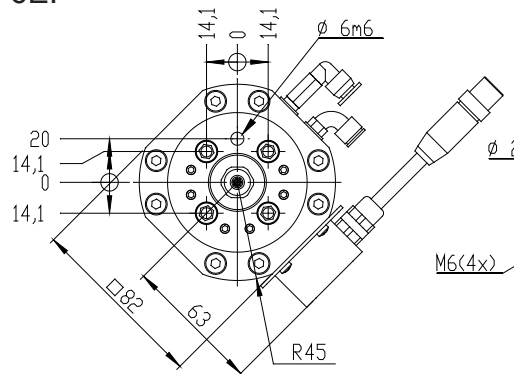
S20-2E:



S20-6:



S20-6E:



B0103-1, Jan 2006

RobotSystem Products AB offers complete, standardized media supply solutions for most robot-based automation. We design, manufacture, and market a widerange of standard robot peripherals such as tool changers, swivels, hose packages, vacuum grippers and die-casting systems throughout the world.

Visit us at [www.robotsystemproducts.com](http://www.robotsystemproducts.com)