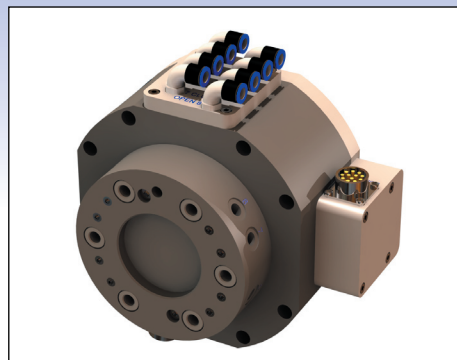
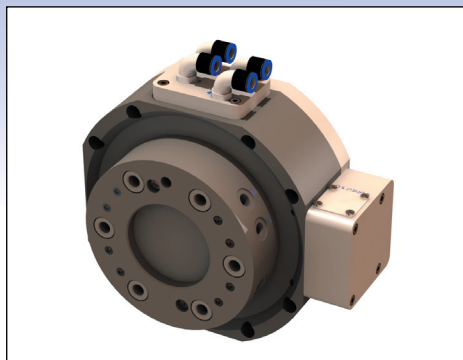


Medium Swivels



Swivels

The new generation of Swivels provide air supply and electrical signals without limiting your robots motion capabilities. You can spin the 6:th axis free from hoses, cables and other obstacles. The low weight, high corrosion resistance and minimum servicing will shorten your cycle-times, enhance your productivity and minimize downtime in any application involving substantial robot motions.

Advantages:

- No limitation of robot working space
- Fast and efficient retooling
- Minimum installation time
- Easier to reach tight positions due to fixed hosing and slim design
- Accurate off-line programming due to full control of hose movements

Technical data

Swivel	Part no.	Handling capacity (kg)	Electrical channels	Air channels	Weight (kg)	Max rpm	Max moment (Nm)
S100-4	P0410	100	-	4	4,1	60	1000
S100-4E	P0411	100	12	4	4,2	60	1000
S100-8	P0412	100	-	8	5,1	60	1000
S100-8E	P0413	100	12	8	5,2	60	1000

Electrical channels

Max voltage	60 V *
Max currency	2 A *
Connections	12 pin Souriau

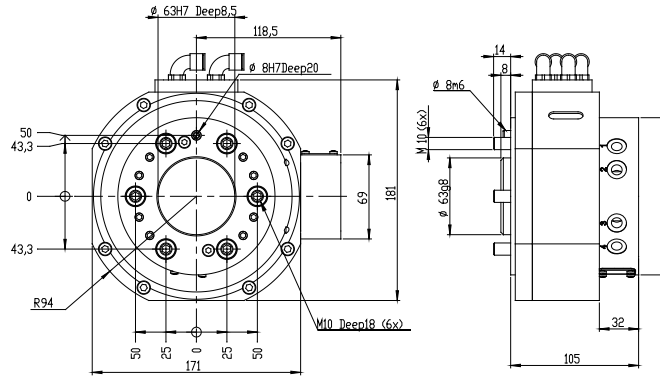
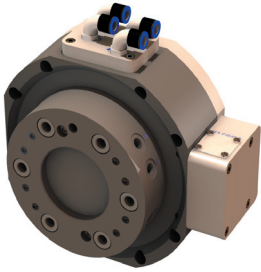
*Other spec. available on request.

Compressed air

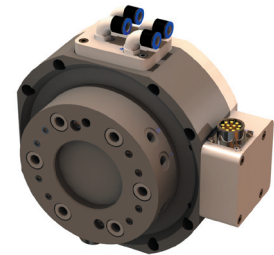
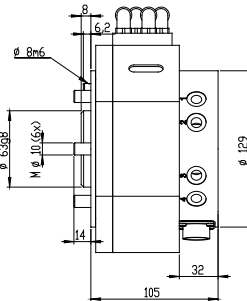
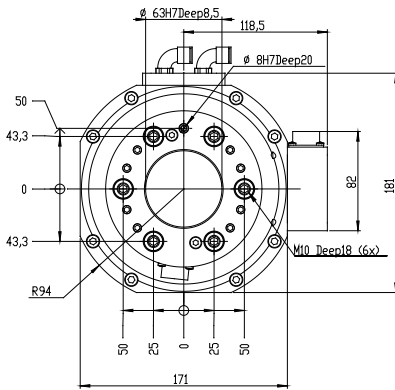
Max. compressed air	-1 to 10 bar
Air flow, unregulated outflow	600 l/min, free, Pin = 6.0 bar
Air quality	Oil-clean and waterless filtered air, max 25 µm
Air connections	G 1/8

Dimensional drawings

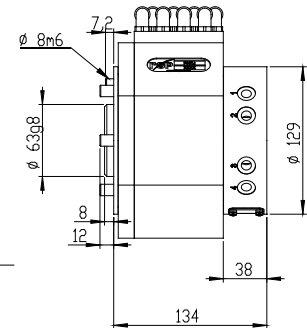
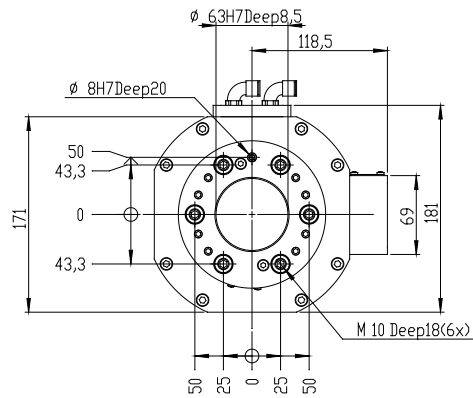
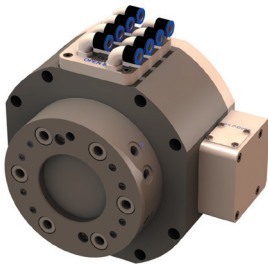
S100-4:



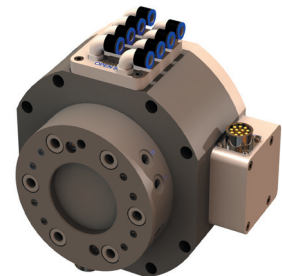
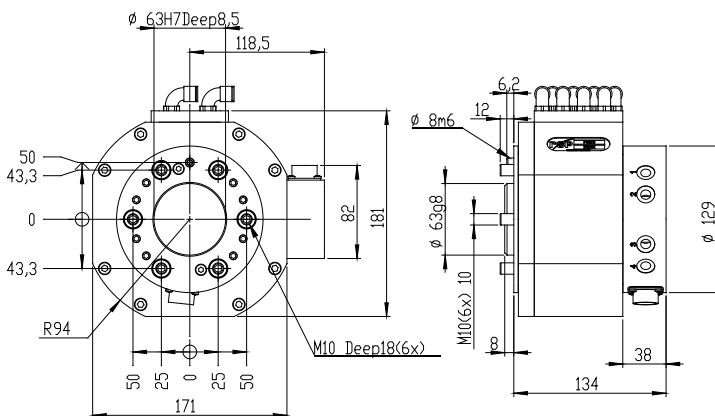
S100-4E:



S100-8:



S100-8E:



B0403-1, Jan 2006

RobotSystem Products AB offers complete, standardized media supply solutions for most robot-based automation. We design, manufacture, and market a wide range of standard robot peripherals such as tool changers, swivels, hose packages, vacuum grippers and die-casting systems throughout the world.

Visit us at www.robotsystemproducts.com