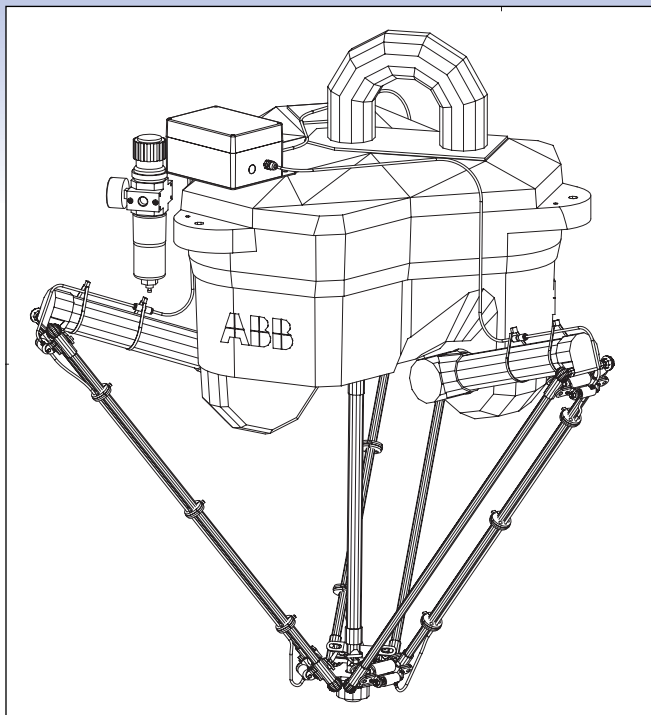


Loose Arm Detection



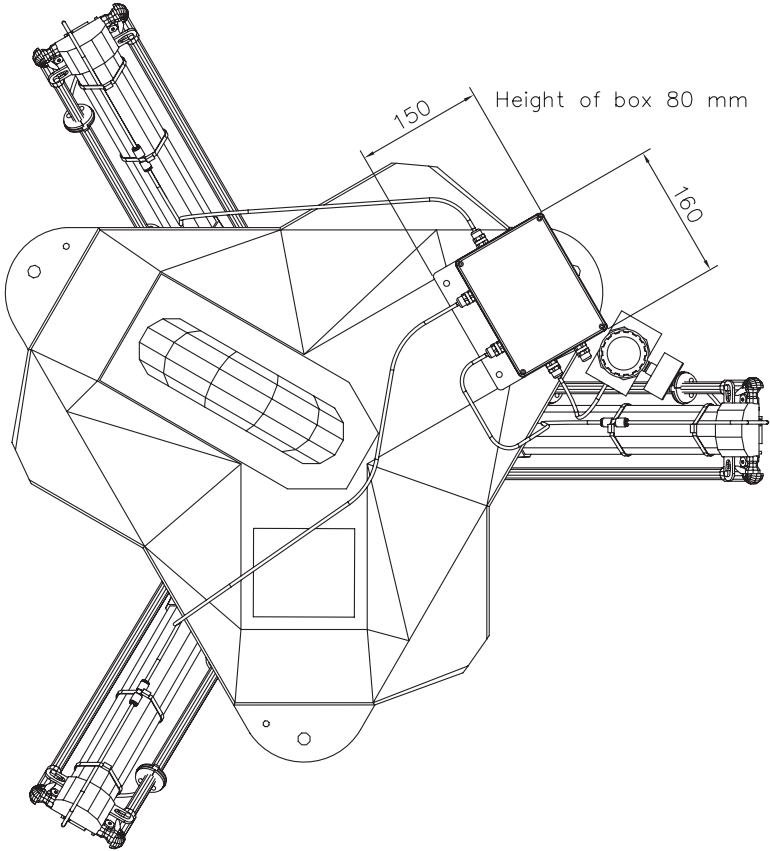
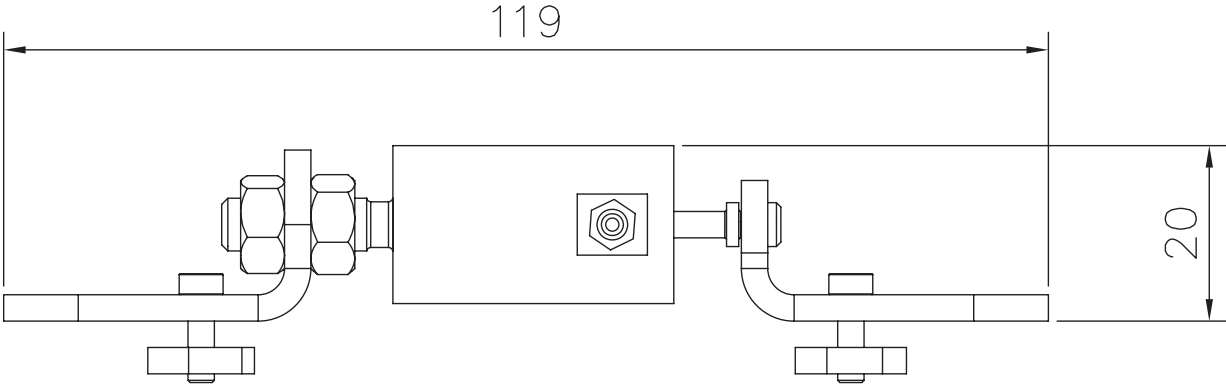
Loose Arm Detection

- Prevents the robot from self-destroying.
- Fast stop after arm release.
- Gives a signal so that peripheral equipment doesn't get destroyed.
- Can be mounted on new and old IRB 340.
- Rugged construction with no moving electrical cable.
- Standard product, kit includes mechanical sensors, box with pressure switch, air filter, Safety relay, cables between manipulator and cabinet, documentation and mounting instruction.

Technical data

Weight	Total weight on parts that are mounted on parallel arms is 168 gram
Compressed air:	Max 7 bar, min 3 bar. Non-lubricated
Protection:	IP 67

Dimensional drawings



B0803-1, Feb 2006

Robot System Products AB offers complete, standardized media supply solutions for most robot-based automation. We design, manufacture, and market a wide range of standard robot peripherals such as tool changers, swivels, hose packages, vacuum grippers and die-casting systems throughout the world. Visit us at www.robotssystemproducts.com