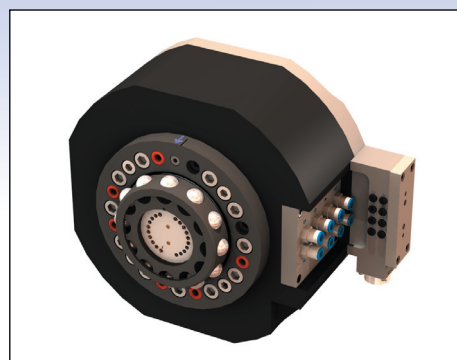


Large Swivels with Tool Changers



Swivels with Tool Changers

The swivels with Tool Changer combines the best of both worlds to maximize the flexibility and productivity. Proven and robust design ensures the highest possible reliability without limiting the robots performance or working range. These products are the obvious choice in applications that involve welding guns or material handling tools and a lot of robot movement.

Advantages:

- No limitation of robot working range
- Easier to reach tight positions thanks to fixed hosing and slim design
- Low maintenance
- Forgiving locking device
- Fast docking due to smart design
- Easy to switch connecting pins

Technical data

Tool Changer	Part no.	Handling capacity (kg)	Electrical channels	Air channels	Weight (kg)	Max rpm	Corresponding Tool Attachment	Part no.	Weight (kg)	Max moment (Nm)
STC350-6	P0605	350	-	6	23	45	TA350-8 square	P0602	6	2000
STC350-6E	P0607	350	12	6	23	45	TA350-8E square	P0606	5.5	2000
							TA350-8E round	P0604	6	2000
								P0608	5.5	2000

P0634 Square tool attachment bracket

Electrical channels

Max voltage	60 V *
Max currency	2 A *
Connections	23 / 19 pin Souriau

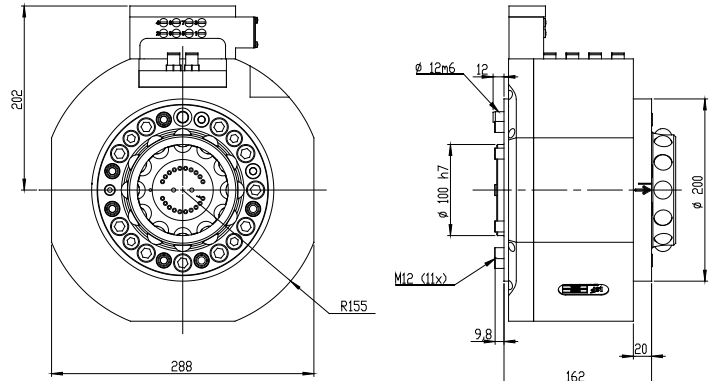
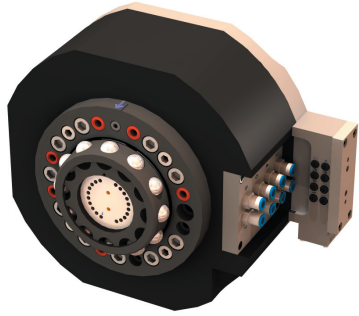
* Other spec. available on request.

Compressed air

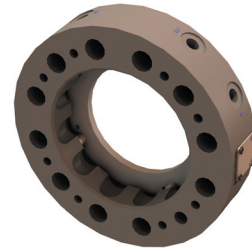
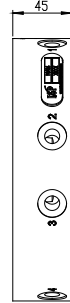
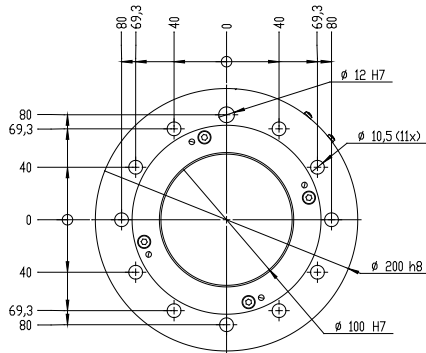
Max. compressed air	-1 to 10 bar
Tool change function	6-10 bar
Air flow, unregulated outflow	800 l/min, free, Pin = 6.0 bar
Air quality	Oil-clean and waterless filtered air, max 25 µm
Air connections	G 1/4

Dimensional drawings

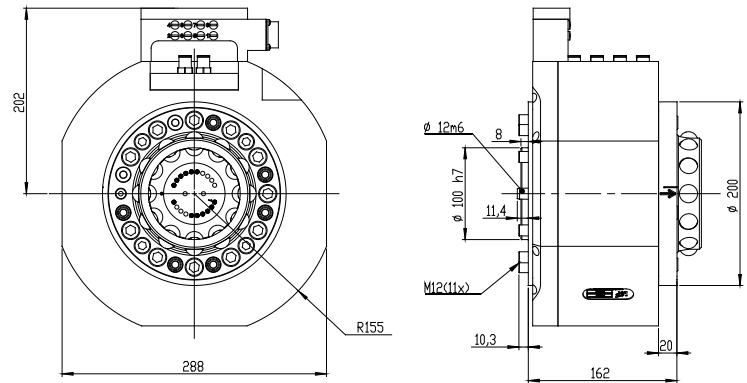
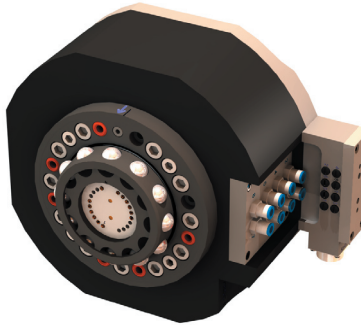
STC350-6:



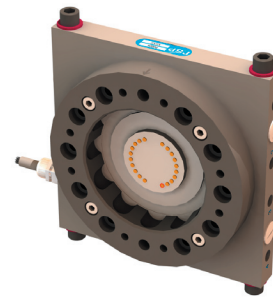
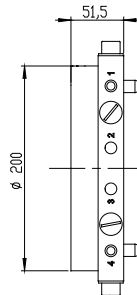
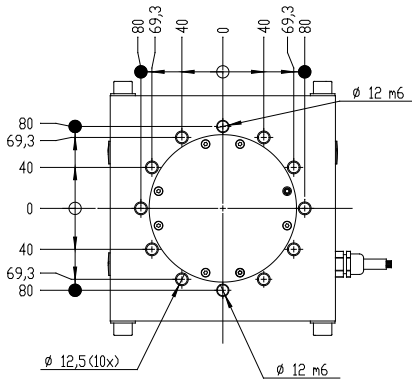
TA350-8:



STC350-6E:



TA350-8E:



B0602-1, Jan 2006

RobotSystem Products AB offers complete, standardized media supply solutions for most robot-based automation. We design, manufacture, and market a wide range of standard robot peripherals such as tool changers, swivels, hose packages, vacuum grippers and die-casting systems throughout the world.

Visit us at www.robotsystemproducts.com